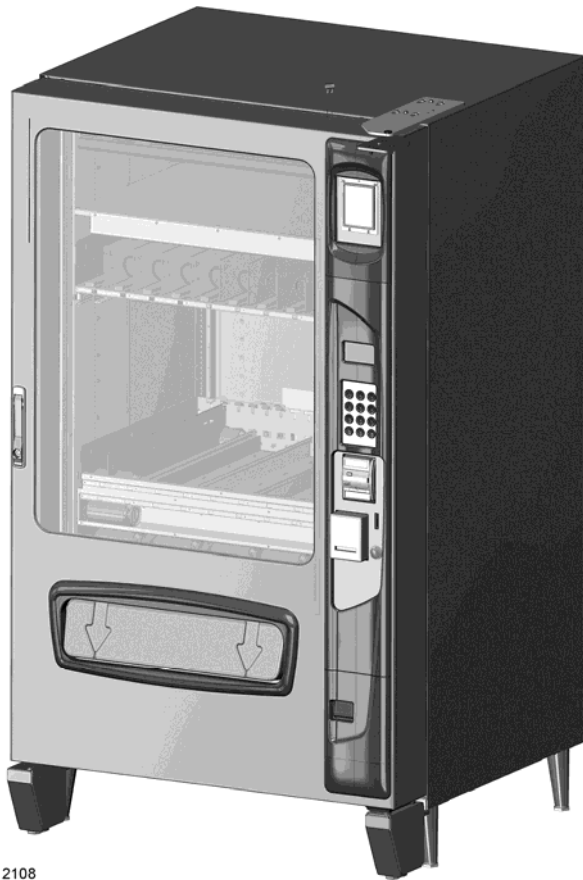




# SZF/DZF INDOOR VENDING MACHINE



## MODELS:

ST 5000 – 3565, 3565A

VT 5000 – 3566, 3566A

ST 3000 – 3567, 3567A

VT 3000 – 3568, 3568A

## PARTS MANUAL

A12108

**VendNet™**

8040 University Boulevard  
Des Moines, IOWA 50235  
United States of America

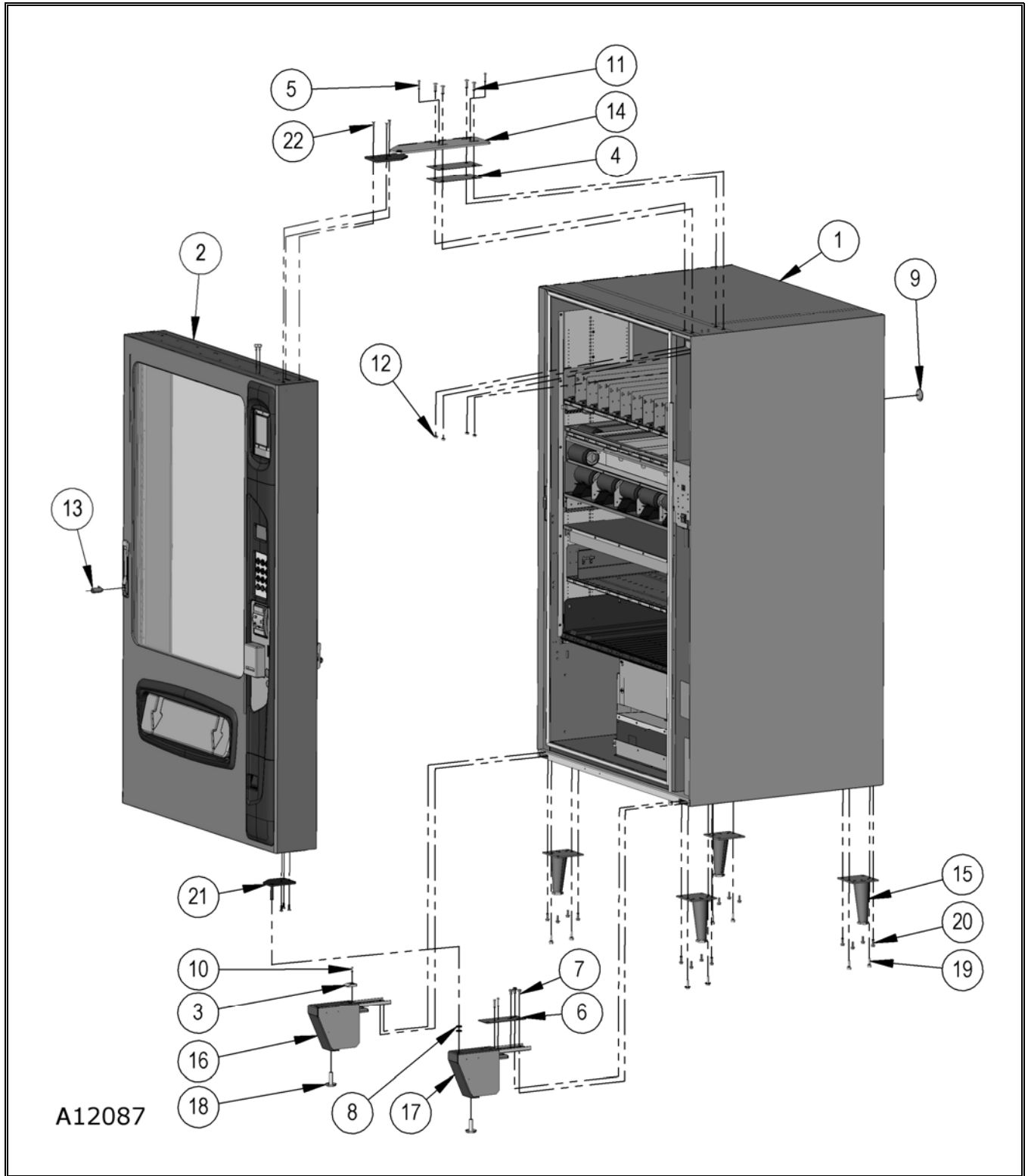
OCT 2014

4222337•C

## TABLE OF CONTENTS

<b>FINAL ASSEMBLY (3565, 3566, 3567, 3568)</b> .....	<b>1</b>
<i>FINAL ASSEMBLY PARTS LIST</i> .....	<i>2</i>
<b>DOOR ASSEMBLY</b> .....	<b>3</b>
<i>DOOR ASSEMBLY PARTS LIST</i> .....	<i>4</i>
<b>SIDE LED ASSEMBLY (WITH LED ENGINES)</b> .....	<b>7</b>
<i>SIDE LED ASSEMBLY (WITH LED ENGINES) PARTS LIST</i> .....	<i>7</i>
<b>SIDE LED ASSEMBLY (WITH STRIP LED)</b> .....	<b>8</b>
<i>SIDE LED ASSEMBLY (WITH STRIP LED) PARTS LIST</i> .....	<i>8</i>
<b>TOP LED ASSEMBLY (WITH LED ENGINES)</b> .....	<b>9</b>
<i>TOP LED (WITH LED ENGINES) ASSEMBLY PARTS LIST</i> .....	<i>9</i>
<b>TOP LED ASSEMBLY (WITH STRIP LED)</b> .....	<b>9</b>
<i>TOP LED (WITH STRIP LED) ASSEMBLY PARTS LIST</i> .....	<i>9</i>
<b>POINT-OF-PURCHASE ASSEMBLY (WITH LED ENGINES)</b> .....	<b>10</b>
<i>POINT-OF-PURCHASE ASSEMBLY (WITH LED ENGINES) PARTS LIST</i> .....	<i>10</i>
<b>POINT-OF-PURCHASE ASSEMBLY (WITH STRIP LED)</b> .....	<b>11</b>
<i>POINT-OF-PURCHASE ASSEMBLY (WITH STRIP LED) PARTS LIST</i> .....	<i>11</i>
<b>DELIVERY BOX ASSEMBLY W/O LIFT</b> .....	<b>12</b>
<i>DELIVERY BOX ASSEMBLY W/O LIFT PARTS LIST</i> .....	<i>13</i>
<b>DELIVERY BOX ASSEMBLY WITH LIFT</b> .....	<b>14</b>
<i>DELIVERY BOX ASSEMBLY WITH LIFT PARTS LIST</i> .....	<i>15</i>
<b>COIN MECH MOUNT ASSEMBLY</b> .....	<b>16</b>
<i>COIN MECH MOUNT ASSEMBLY PARTS LIST</i> .....	<i>16</i>
<b>COIN RETURN MECHANISM ASSEMBLY</b> .....	<b>17</b>
<i>COIN RETURN MECHANISM ASSEMBLY PARTS LIST</i> .....	<i>17</i>
<b>CABINET ASSEMBLY</b> .....	<b>18</b>
<i>CABINET ASSEMBLY PARTS LIST</i> .....	<i>19</i>
<b>CONNECTION BOX ASSEMBLY (110VAC)</b> .....	<b>21</b>
<i>CONNECTION BOX ASSEMBLY (110VAC) PARTS LIST</i> .....	<i>21</i>
<b>CONNECTION BOX ASSEMBLY (220VAC)</b> .....	<b>22</b>
<i>CONNECTION BOX ASSEMBLY (220VAC) PARTS LIST</i> .....	<i>22</i>
<b>PLASTIC TRAY ASSEMBLY</b> .....	<b>23</b>
<i>PLASTIC TRAY ASSEMBLY PARTS LIST</i> .....	<i>23</i>
<b>CAN &amp; BOTTLE TRAY ASSEMBLY</b> .....	<b>25</b>
<i>CAN &amp; BOTTLE TRAY ASSEMBLY PARTS LIST</i> .....	<i>25</i>
<b>HIGH CAPACITY CAN TRAY (HCCT) ASSEMBLY</b> .....	<b>27</b>
<i>HCCT TRAY ASSEMBLY PARTS LIST</i> .....	<i>28</i>
<b>POWER BOX ASSEMBLY (110V &amp; 220V)</b> .....	<b>29</b>
<i>POWER BOX ASSEMBLY (110V &amp; 220V) PART LIST</i> .....	<i>30</i>
<b>REFRIGERATION MODULE ASSEMBLY (110V &amp; 220V)</b> .....	<b>31</b>
<i>REFRIGERATION MODULE (110 &amp; 220V) PARTS LIST</i> .....	<i>31</i>
<b>REFRIGERATION BASE ASSEMBLY (110V &amp; 220V)</b> .....	<b>33</b>
<i>REFRIGERATION BASE ASSEMBLY (110V &amp; 220V) PARTS LIST</i> .....	<i>34</i>
<b>CONDENSER FAN ASSEMBLY</b> .....	<b>35</b>
<i>CONDENSER FAN ASSEMBLY PARTS LIST</i> .....	<i>35</i>
<b>BARRIER ASSEMBLY</b> .....	<b>36</b>
<i>BARRIER ASSEMBLY PARTS LIST</i> .....	<i>36</i>
<b>OPTIONAL SPIRALS</b> .....	<b>37</b>
<b>OPTIONAL PRICE SCROLLS</b> .....	<b>38</b>

# FINAL ASSEMBLY (3565, 3566, 3567, 3568)



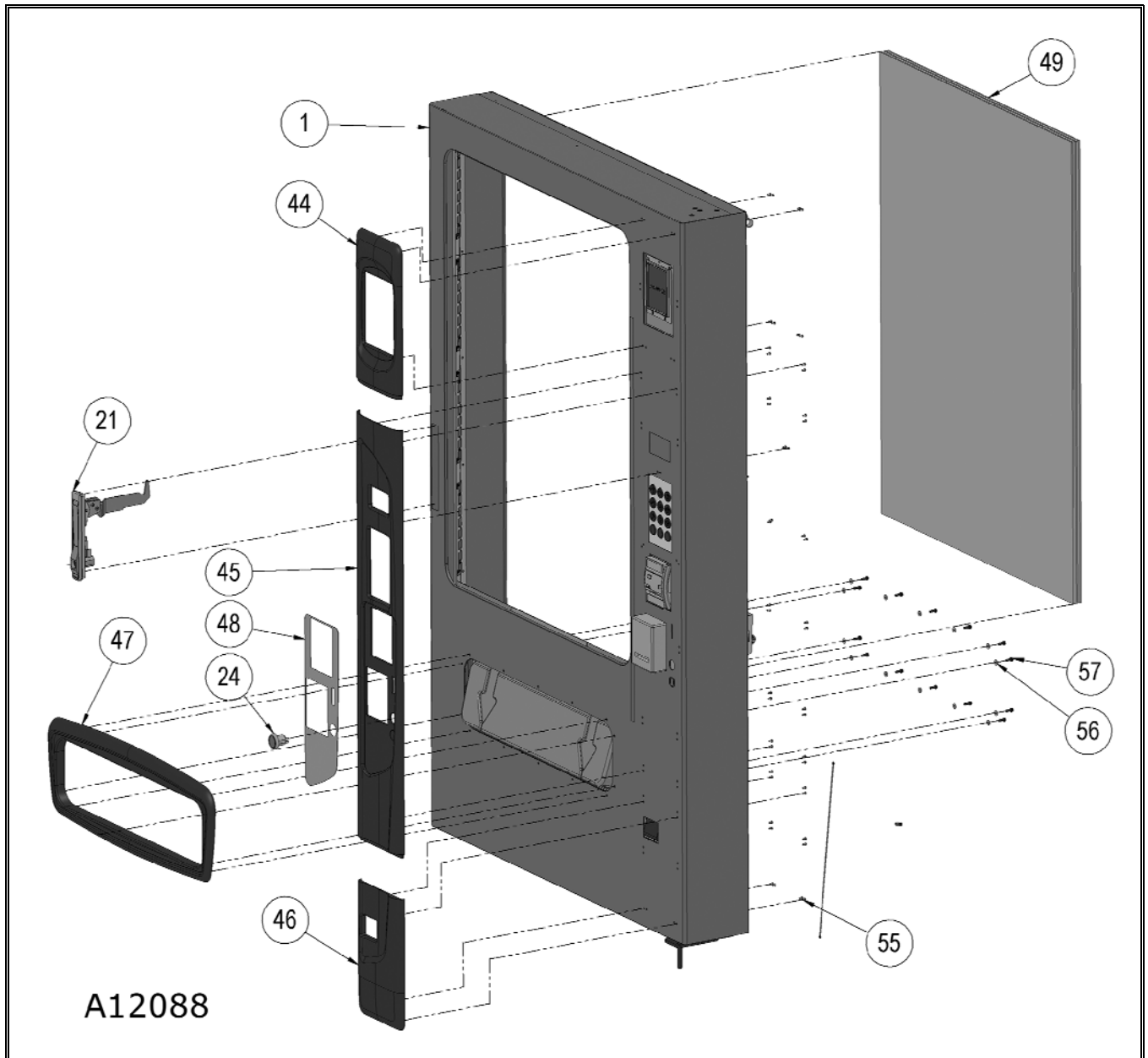
**FINAL ASSEMBLY PARTS LIST**

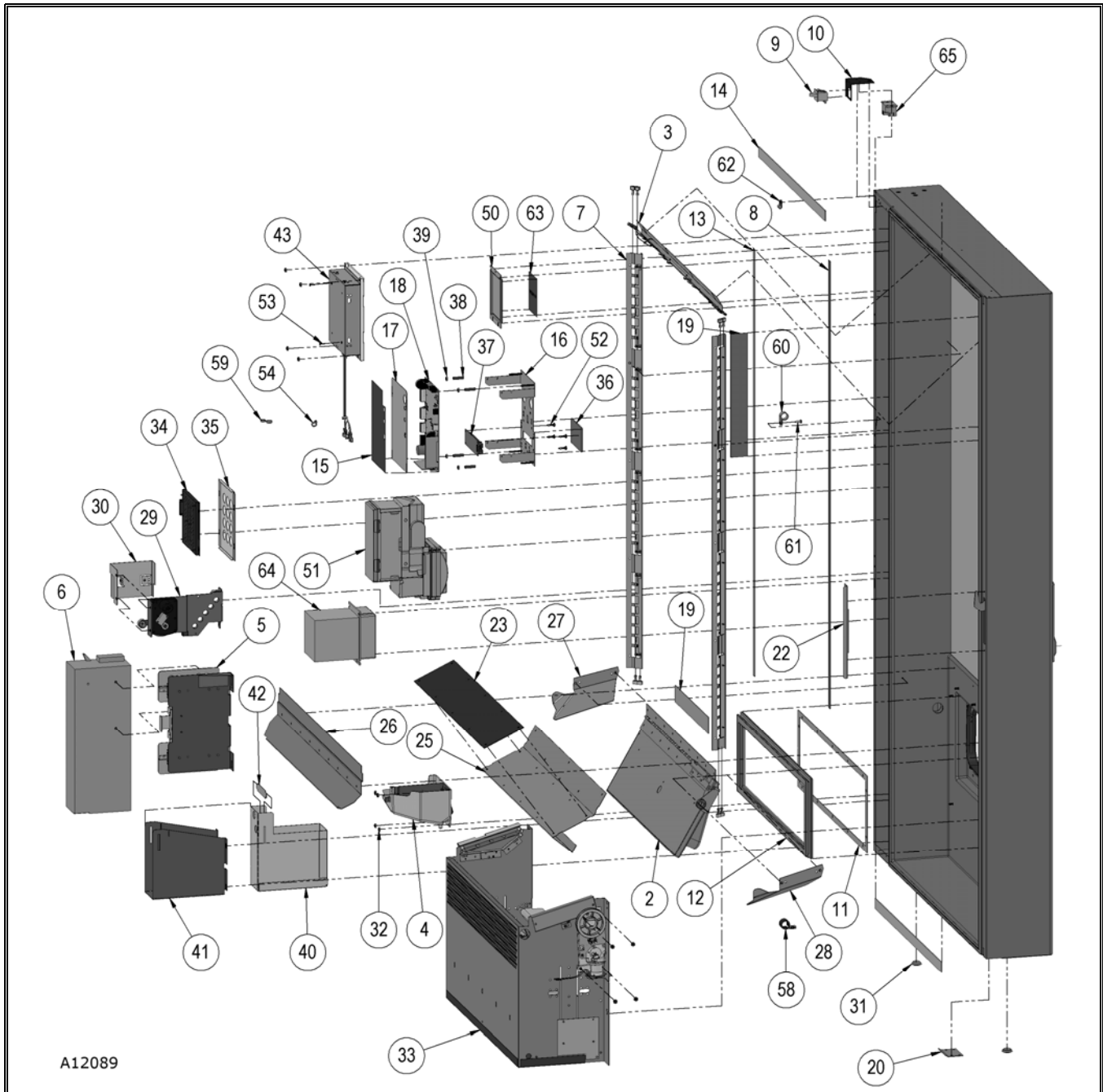
ITEM NO.	PART NUMBER	3565/ 3565A	3566/ 3566A	3567/ 3567A	3568/ 3568A	DESCRIPTION
1	<a href="#">SEE PAGE # 18</a>	1	1	1	1	CABINET ASSEMBLY-ADA
2	<a href="#">SEE PAGE # 3</a>	1	1	-	-	DOOR ASSEMBLY-ADA/5W
	<a href="#">SEE PAGE # 3</a>	-	-	1	1	DOOR ASSEMBLY-ADA/3W
3	4025610	1	1	1	1	DOOR GLIDE
4	4214306	2	2	2	2	TOP HINGE SHIM
5	4215175	4	4	4	4	12-18 X 1 HWH TEK
6	4218599.000330	1	1	1	1	BOTTOM HINGE PLATE
7	4218853	3	3	3	3	5/16-18 X 1/2 HWH TYPE 23
8	4219752	2	2	2	2	.394 FLAT WASHER-NYLON
9	7250135.010	1	1	1	1	HOLE PLUG 1 1/4
10	8800636	1	1	1	1	8-18X1/2 PHIL PH TYPE-B
11	8810013	4	4	4	4	5/16-18 X 1 CARR. BOLT
12	8810015	4	4	4	4	5/16-18 FLANGE LOCK NUT
13	4060330	1	1	1	1	LOCK CYLINDER W/2 KEYS
14	1216660.000330	1	1	1	1	TOP HINGE WELD/BLACK
15	1214704.001	4	4	4	4	LEG ASSEMBLY (6")
16	1218308.000330	1	1	1	1	LEG MOUNT WELD (RIGHT)
17	1218308.001330	1	1	1	1	LEG MOUNT WELD (LEFT)
18	4212842	2	2	2	2	1/2-13X1-1/2 LEG LEVELER
19	4201385	8	8	8	8	5/16-18X1 THREAD ROLLER
20	8801388	12	12	12	12	5/16-18X3/4 HWH TYPE-
21	1217994.000330	1	1	1	1	BOTTOM HINGE STAKE ASSEMBLY
22	4212089	6	6	6	6	1/4-20X3/4 SCKT FLAT C'SUNK

**LIST OF PARTS NOT SHOWN**

23	4216016	1	1	1	1	GFCI POWER CORD
----	---------	---	---	---	---	-----------------

## DOOR ASSEMBLY





A12089

**DOOR ASSEMBLY PARTS LIST**

ITEM NO.	PART NUMBER	3565/ 3565A	3566/ 3566A	3567/ 3567A	3568/ 3568A	DESCRIPTION
1	* 1218443.401XXX	1	1	-	-	DOOR FOAM ASSEMBLY W/BEZEL
	* 1218234.401XXX	-	-	1	1	DOOR FOAM ASSEMBLY W/BEZEL
2	1217725	1	1	-	-	DELIVERY DOOR FOAM ASSEMBLY/5W
	1218071	-	-	1	1	DELIVERY DOOR FOAM ASSEMBLY/3W
3	1218022	1	1	-	-	TOP LED ASSEMBLY / LED ENGINES <a href="#">SEE PAGE # 09</a>
	1218930	-	-	1	1	TOP LED ASSEMBLY / STRIP LED'S <a href="#">SEE PAGE # 09</a>
4	1218361	1	1	1	1	COIN CUP ASSEMBLY

ITEM NO.	PART NUMBER	3565/ 3565A	3566/ 3566A	3567/ 3567A	3568/ 3568A	DESCRIPTION	
5	1218371	1	1	1	1	COIN MECH MOUNT ASSEMBLY	<a href="#">SEE PAGE # 16</a>
6	CONTACT VENDNET	1	1	1	1	COIN MECHANISM	
	1218710	1	1	1	1	SIDE LED ASSEMBLY / LED ENGINE	<a href="#">SEE PAGE # 07</a>
7	1218710.001	1	1	1	1	SIDE LED ASSEMBLY / LED ENGINE	<a href="#">SEE PAGE # 07</a>
	1218701	1	1	1	1	SIDE LED ASSEMBLY / STRIP LED	<a href="#">SEE PAGE # 08</a>
	1218701.001	1	1	1	1	SIDE LED ASSEMBLY / STRIP LED	<a href="#">SEE PAGE # 08</a>
8	4209845	5 FT	5 FT	5 FT	5 FT	PROTECTIVE WINDOW SEAL 1/2"	
9	4212621	1	1	1	1	SWITCH	
	4217588	1	1	1	1	DOOR SWITCH MOUNT/ WITHOUT RELAY	
10	4222213	1	1	1	1	DOOR SWITCH MOUNT/ WITH RELAY	
	4214154	1	1	-	-	DELIVERY GASKET RETAINER	
11	4214153	-	-	1	1	DELIVERY GASKET RETAINER	
	4215090.005	1	1	-	-	MAGNETIC GASKET-5W	
12	4215090.003	-	-	1	1	MAGNETIC GASKET-3W	
13	4215119	20 FT	20 FT	19 FT	19 FT	1/8 X 1/2 FOAM TAPE	
14	4215119.001	5 FT	5 FT	3.5 FT	3.5 FT	1/8 X 1 FOAM TAPE	
15	4216031	1	1	1	1	SERVICE MODE LABEL - GVC2	
16	4216656.001330	1	1	1	1	DISPLAY MOUNT W/STUDS	
17	4216657.000330	1	1	1	1	CONTROL BOARD COVER	
18	4214682.004	1	1	1	1	GVC2 DUAL MOTOR BOARD	
19	4217577.002	15 FT	15 FT	15 FT	15 FT	.062 X 1.625 FOAM TAPE	
20	4218593	1	1	1	1	DOOR LIFT	
21	4218645	1	1	1	1	DOOR HANDLE	
22	4218648.000330	1	1	1	1	LATCH TRIM PLATE	
	4219264.005	1	1	-	-	DELIVERY IMPACT SHEET	
23	4219264.006	-	-	1	1	DELIVERY IMPACT SHEET	
24	4219726.001	1	1	1	1	MOMENTARY SWITCH-AMBER	
	4219758.000330	1	1	-	-	DELIVERY DOOR ANTI-CHEAT	
25	4220551.000330	-	-	1	1	DELIVERY DOOR ANTI-CHEAT	
	4219770.000330	1	1	-	-	BOTTOM WINDOW DEFLECTOR	
26	4220550.000330	-	-	1	1	BOTTOM WINDOW DEFLECTOR/3W	
27	4219771.000330	1	1	1	1	DELIVERY SIDE DEFLECTOR	
28	4219771.001330	1	1	1	1	DELIVERY SIDE DEFLECTOR	
29	1218519.002	1	1	1	1	COIN RETURN MECHANISM	<a href="#">SEE PAGE # 17</a>
30	4220349.001330	1	1	1	1	COIN RETURN MECHANISM COVER	
31	7250135.003	2	2	2	2	HOLE PLUG, BPF-3/4"	
32	8800956	27	27	27	27	8-32 HEX NUT W/ETW	
	1218423.001	1	1	-	-	DELIVERY BOX ASSEMBLY/5W W/O LIFT	<a href="#">SEE PAGE # 12</a>
33	1218236.001	-	-	1	1	DELIVERY BOX ASSEMBLY/3W W/O LIFT	<a href="#">SEE PAGE # 12</a>
	<a href="#">SEE PAGE # 14</a>	OPT	OPT	OPT	OPT	DELIVERY BOX ASSEMBLY WITH LIFT	
34	1216670	1	1	1	1	KEYPAD ASSEMBLY	
35	4218809.000330	1	1	1	1	KEYPAD FILLER	
36	4202841.009	1	1	1	1	READOUT WINDOW/BLUE	
37	4216028	1	1	1	1	VF DISPLAY, RIGHT ANGLE	
38	4216687.1000	4	4	4	4	TUBULAR SPACER 1"	

ITEM NO.	PART NUMBER	3565/ 3565A	3566/ 3566A	3567/ 3567A	3568/ 3568A	DESCRIPTION
39	4209866	4	4	4	4	6-32 NYLON NUT
40	4219350.001330	1	1	1	1	COIN BOX / WELDED
41	4219374.000330	1	1	1	1	COIN BOX MOUNT
42	4219375	1	1	1	1	COIN BOX BRACE
43	<a href="#">SEE PAGE # 10</a>	1	1	1	1	POP ASSEMBLY
44	4219772	1	1	1	1	DOOR BEZEL - TOP
45	4219773	1	1	1	1	DOOR BEZEL - MID
46	4219774	1	1	1	1	DOOR BEZEL - BOTTOM
47	4219776	1	1	-	-	DELIVERY DOOR BEZEL/5W
	4219778	-	-	1	1	DELIVERY BEZEL/3W
48	4219818.100	1	1	1	1	ADA BEZEL DECAL/1 HOLE/BLACK
	4213919.025	1	1	-	-	TRIPLE PANE GLASS/5W/110V
	4213919.023	-	-	1	1	TRIPLE PANE GLASS/3W/110V
	4213919.028	1	1	-	-	TRIPLE PANE GLASS/5W/220V
49	4213919.026	-	-	1	1	TRIPLE PANE GLASS/3W/220V
	4217573	1	1	1	1	PERIPHERAL FILLER
51	CONTACT VENDNET	1	1	1	1	BILL VALIDATOR
52	4214729	4	4	4	4	STANDOFF
53	4215561.014	10	10	10	10	SNAP RIVET/BLACK 1/8
54	4033704	1	1	1	1	CABLE TIE
55	4220189	24	24	24	24	#4 X 1/4 PHIL PH PTRS ZN
56	8801011	14	14	14	14	#8 FLAT WASHER
57	4050202.001	30	30	30	30	8-18X1/2 PHIL HWH TEK/BLACK
58	4220132	1	1	1	1	5/8" OD CABLE CLAMP
59	4215272	12	12	10	10	HINGED SCREW COVER
60	8324099.7	2	2	2	2	CLAMP - 1/2 X 5/8
61	4050247	2	2	2	2	8-32X1/2 PHIL PH MS
62	8324099.2	1	1	1	1	CLAMP - 1/4 IN
63	4217574	1	1	1	1	FILLER DECAL ENGLISH/I-VE
64	CONTACT VENDNET	OPT	OPT	OPT	OPT	CREDIT CARD READER
65	4216013	1	1	1	1	MINI-RELAY, SPST, 24V

**LIST OF PARTS NOT SHOWN**

66	1211465.003	1	1	1	1	13" GROUND WIRE GR/YL
67	4214278	1	1	1	1	DEX HARNESS (GVC1 OR GVC2
68	4215373	1	1	1	1	DOOR SWITCH HARNESS 22"
69	4215471	1	1	1	1	MDB CABLE/GVC1
70	4217620	1	1	1	1	LED POWER HARNESS DZF/SZF ( USED WITH LED ENGINES)
	4221922	1	1	1	1	LED POWER HARNESS ( USED WITH STRIP LED)
71	4219902	1	1	1	1	LED POWER JUMPER
72	4217638	1	1	1	1	HEATED GLASS HARNESS
73	4222223	1	1	1	1	LED RELAY JUMPER

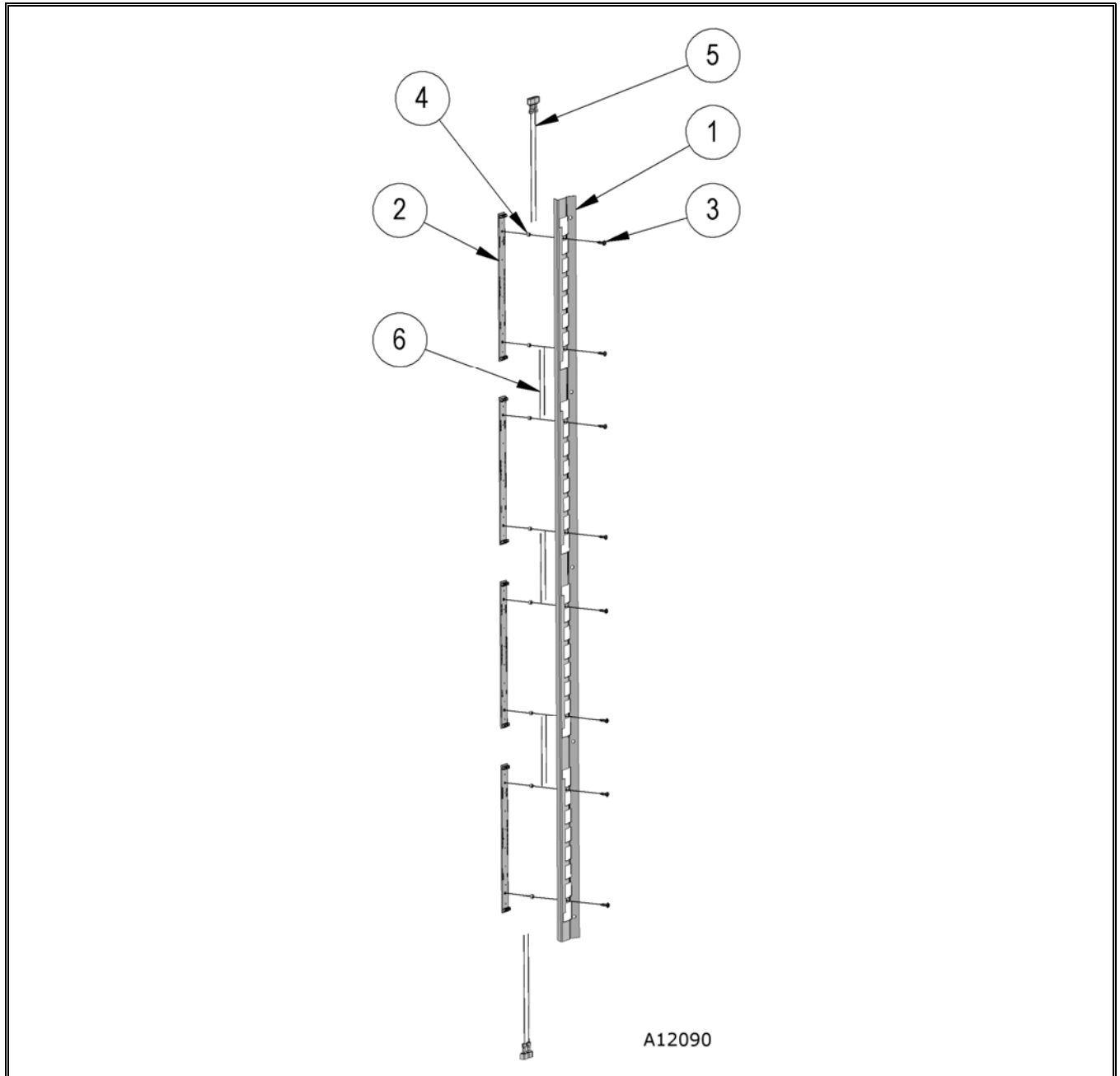
\* SPECIFY COLOR

REPLACE XXX BY 330 – FOR BLACK

REPLACE XXX BY 340 – FOR SILVER



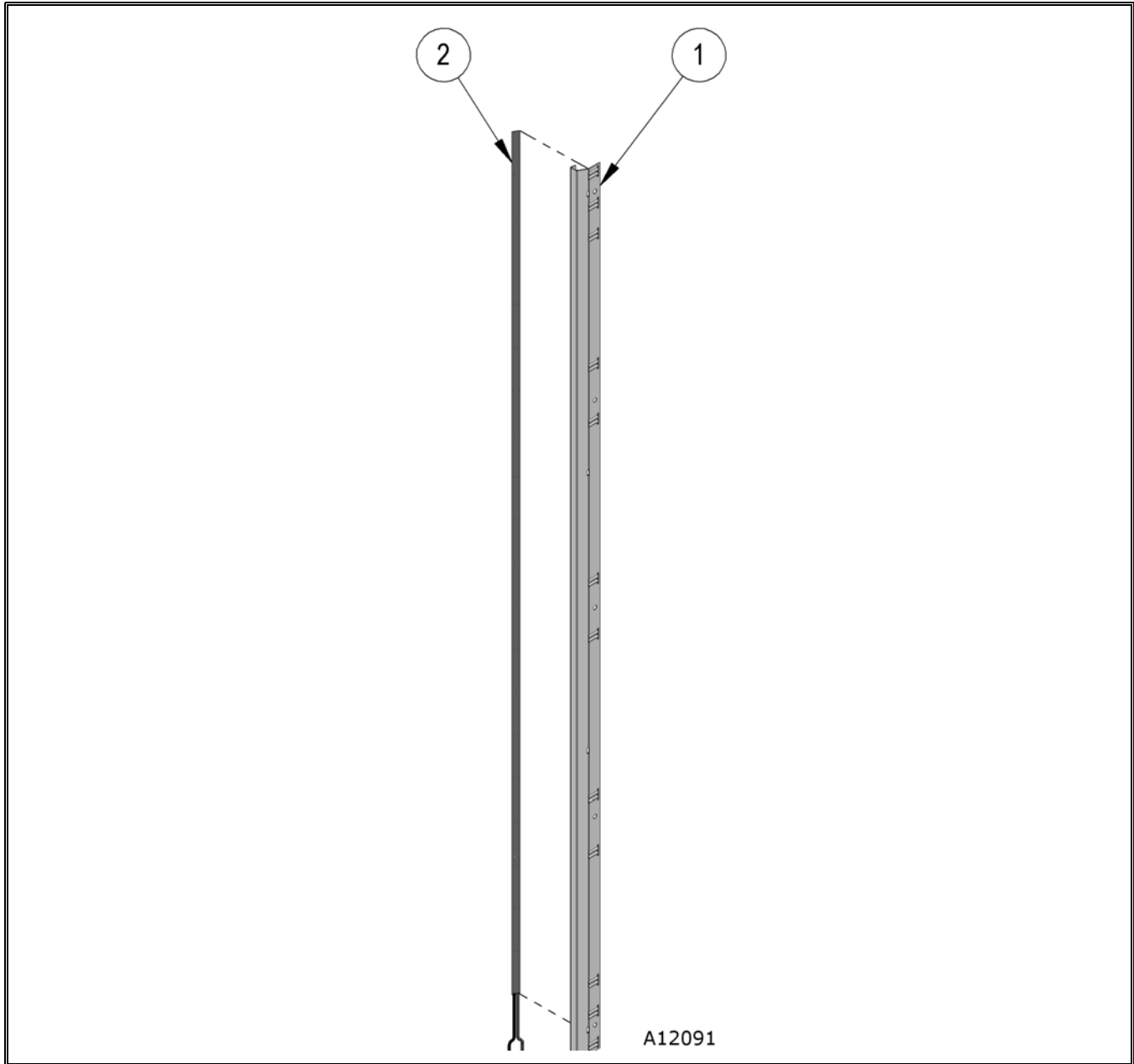
## SIDE LED ASSEMBLY (WITH LED ENGINES)



### SIDE LED ASSEMBLY (WITH LED ENGINES) PARTS LIST

ITEM NO.	PART NUMBER	3565/	3566/	3567/	3568/	DESCRIPTION
		3565 A	3566 A	3567 A	3568 A	
-	1218710	2	2	2	2	SIDE LED ASSY DZF/SZF (INCLUDES ITEMS 1, 2, 3, 4, 5 & 6)
1	4221031.000330	1	1	1	1	LED MOUNT SIDE
2	4216544.003	4	4	4	4	8 LED HIGH INTENSITY
3	4215561.019	8	8	8	8	SNAP RIVET/BLACK 1/8
4	4216676	8	8	8	8	NYLON SPACER 1/8 X 3/16
5	4216691	4	4	4	4	TAB WIRE ASSEMBLY - 6"
6	4216693.004	6	6	6	6	20 GA WIRE/BLACK-3.75"

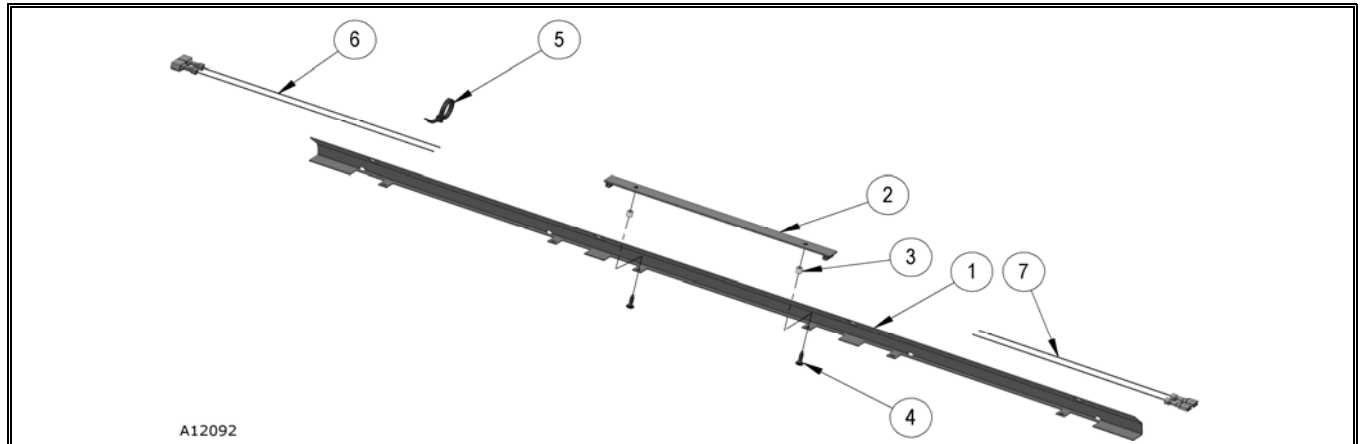
## SIDE LED ASSEMBLY (WITH STRIP LED)



### SIDE LED ASSEMBLY (WITH STRIP LED) PARTS LIST

ITEM NO.	PART NUMBER	3565/ 3565A	3566/ 3566A	3567/ 3567A	3568/ 3568A	DESCRIPTION
-	1218701	1	1	1	1	SIDE LED ASSY/ HINGE SIDE (INCLUDES ITEMS 1 & 2)
-	1218701.001	1	1	1	1	SIDE LED ASSY/ LOCK SIDE (INCLUDES ITEMS 1 & 2)
1	4220996.000309	1	1	1	1	LED MOUNT SIDE
2	4220902	1	1	1	1	LED SIDE STRIP ASSEMBLY

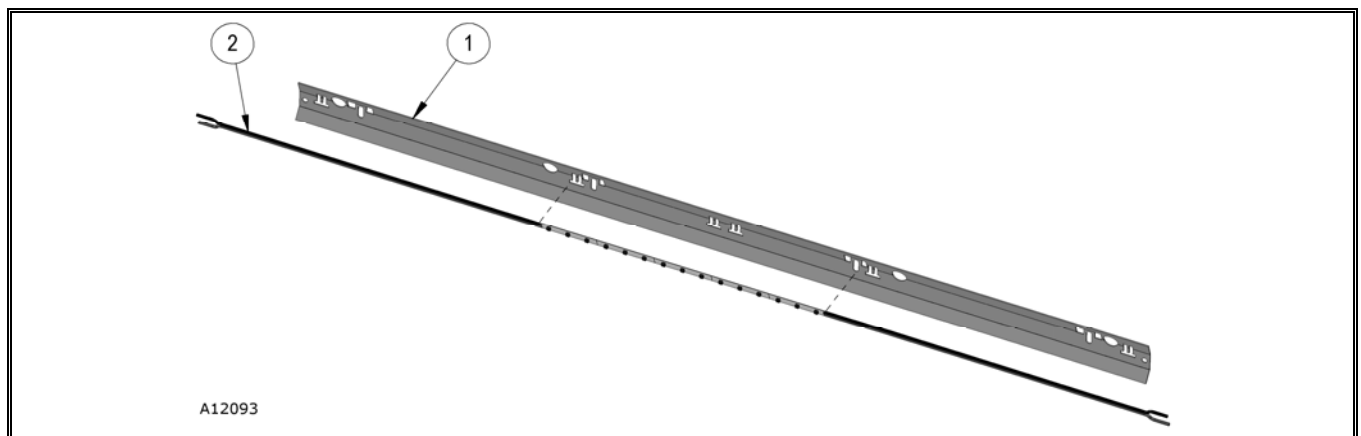
## TOP LED ASSEMBLY (WITH LED ENGINES)



### TOP LED (WITH LED ENGINES) ASSEMBLY PARTS LIST

ITEM NO.	PART NUMBER	3565/ 3565A	3566/ 3566A	3567/ 3567A	3568/ 3568A	DESCRIPTION
-	1218022	1	1	1	1	TOP LED ASSY DZF/SZF (INCLUDES ITEMS 1, 2, 3, 4, 5, 6, & 7)
1	4217683.000330	1	1	1	1	LED TOP PLATE
2	4216544.003	1	1	1	1	8 LED HIGH INTENSITY
3	4216676	2	2	2	2	NYLON SPACER 1/8 X 3/16
4	4215561.019	2	2	2	2	SNAP RIVET/BLACK 1/8
5	4033704	4	4	4	4	CABLE TIE
6	4216691.003	2	2	2	2	TAB WIRE ASSEMBLY - 13"
7	4216692.003	2	2	2	2	.187 WIRE ASSEMBLY-13.00"

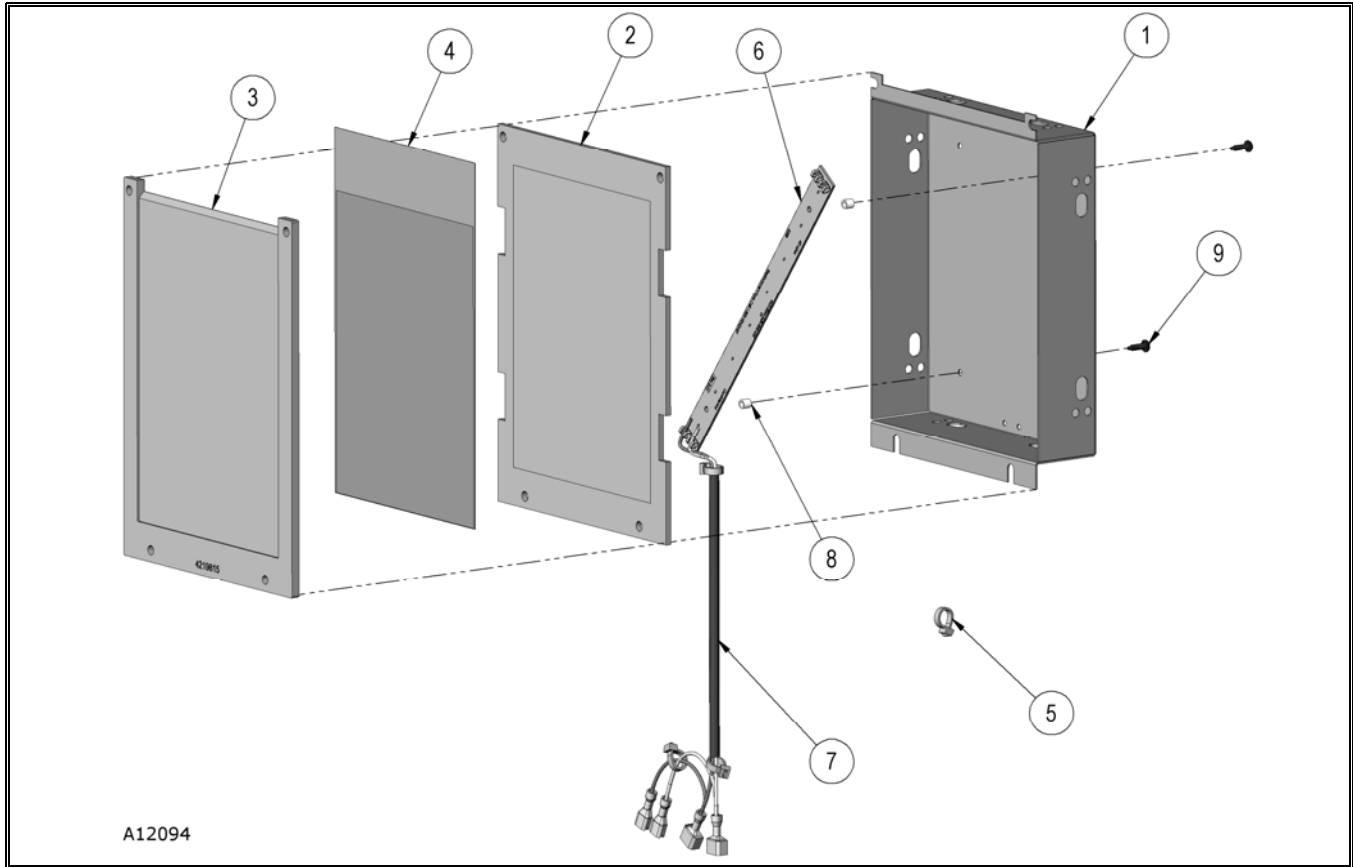
## TOP LED ASSEMBLY (WITH STRIP LED)



### TOP LED (WITH STRIP LED) ASSEMBLY PARTS LIST

ITEM NO.	PART NUMBER	3565/ 3565A	3566/ 3566A	3567/ 3567A	3568/ 3568A	DESCRIPTION
-	1218930	1	1	1	1	TOP LED ASSY DZF/SZF (INCLUDES ITEMS 1, & 2)
1	4221002.000309	1	1	1	1	TOP WINDOW RETAINER (5W)
2	4220902.001	1	1	1	1	LED TOP STRIP ASSEMBY

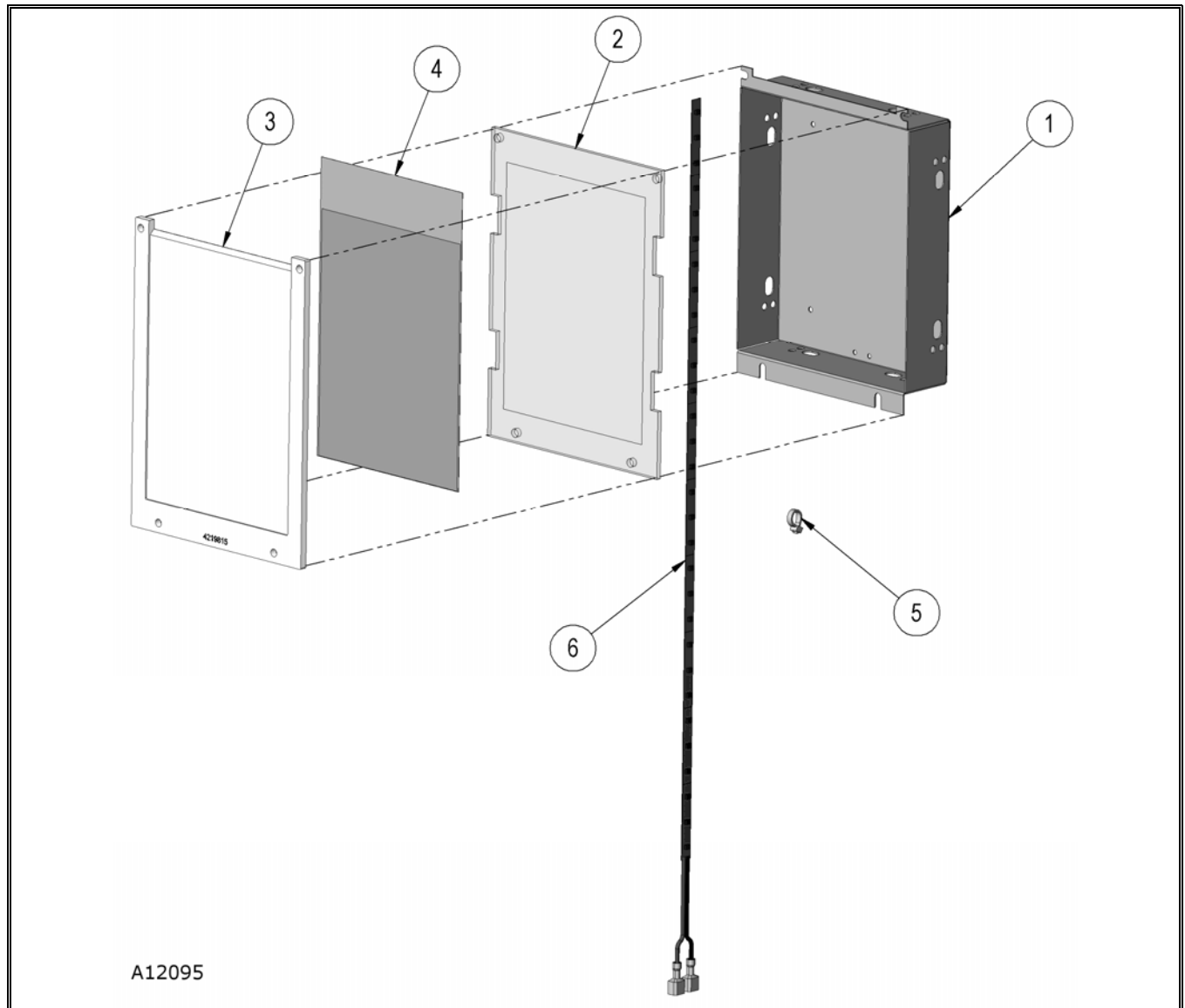
## POINT-OF-PURCHASE ASSEMBLY (WITH LED ENGINES)



### POINT-OF-PURCHASE ASSEMBLY (WITH LED ENGINES) PARTS LIST

ITEM NO.	PART NUMBER	3565/ 3565A	3566/ 3566A	3567/ 3567A	3568/ 3568A	DESCRIPTION
-	1218501	1	1	1	1	POP LED ASSY (with LED ENGINES) (INCLUDES ITEMS 1, 5, 6, 7, 8 & 9)
1	4219727.000306	1	1	1	1	LED MOUNTING COVER
2	4219728	1	1	1	1	ACRYLIC DISPLAY FRONT
3	4219815	1	1	1	1	PRINT HOLDER
4	4219832.001	1	1	1	1	ENJOY SANDWICH – DISPLAY PRINT
5	4033704	1	1	1	1	CABLE TIE
6	4216544.003	1	1	1	1	LED LIGHT ENGINE
7	4220188	1	1	1	1	LED POWER HARNESS
8	4216676	2	2	2	2	NYLON SPACER 1/8 X 3/16
9	4215561.019	2	2	2	2	SNAP RIVET/BLACK 1/8

## POINT-OF-PURCHASE ASSEMBLY (WITH STRIP LED)



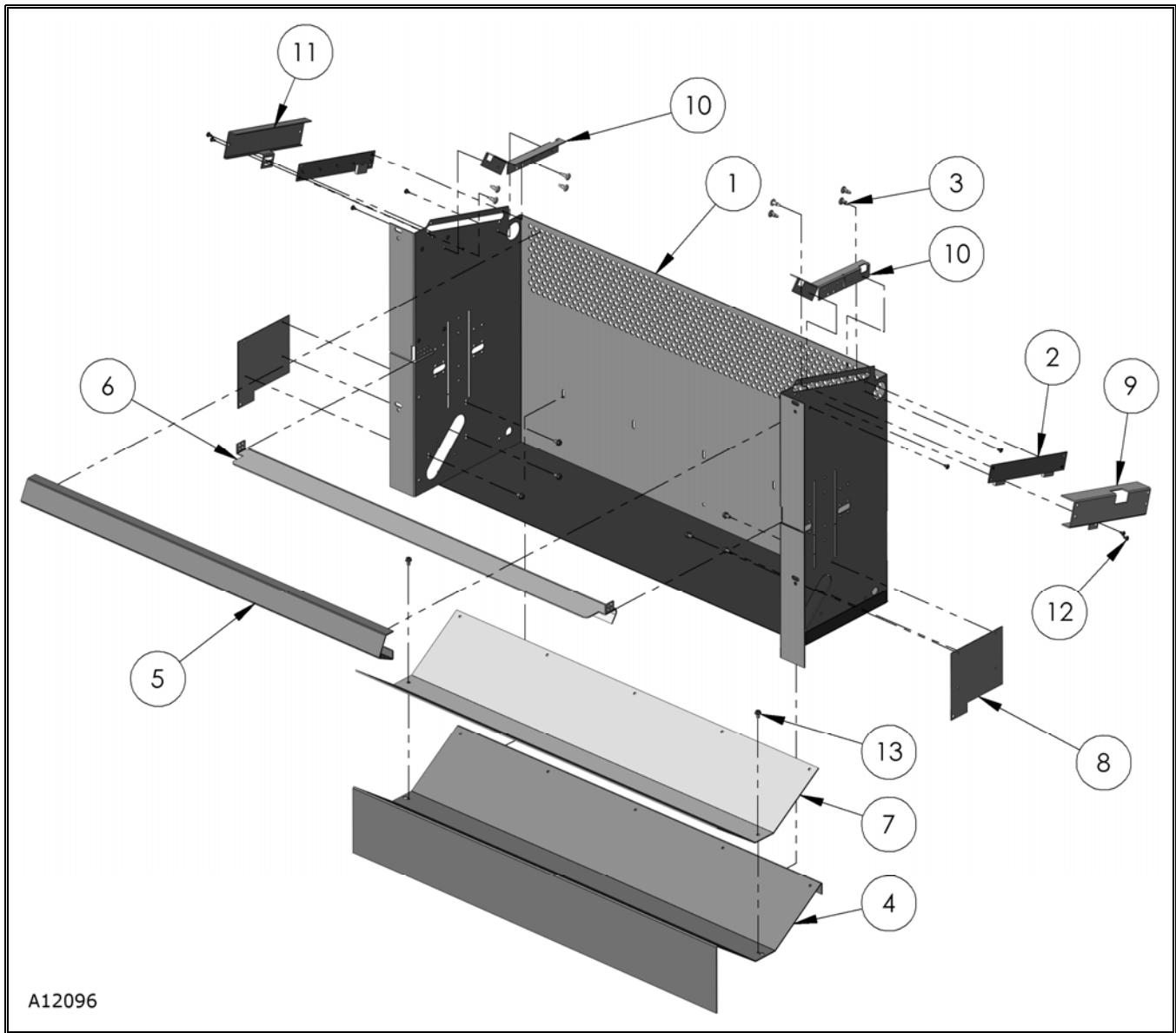
### POINT-OF-PURCHASE ASSEMBLY (WITH STRIP LED) PARTS LIST

ITEM NO.	PART NUMBER	3565/ 3565A	3566/ 3566A	3567/ 3567A	3568/ 3568A	DESCRIPTION
1	4219727.000306	1	1	1	1	LED MOUNTING COVER
2	4219728	1	1	1	1	ACRYLIC DISPLAY FRONT
3	4219815	1	1	1	1	PRINT HOLDER
4	4219832.001	1	1	1	1	ENJOY SANDWICH – DISPLAY PRINT
5	4033704	1	1	1	1	CABLE TIE
6	4220902.002	1	1	1	1	LED SIDE STRIP ASSEMBLIES

### LIST OF PARTS NOT SHOWN

7	4222397	1	1	1	1	POP LED POWER HARNESS
---	---------	---	---	---	---	-----------------------

## DELIVERY BOX ASSEMBLY W/O LIFT



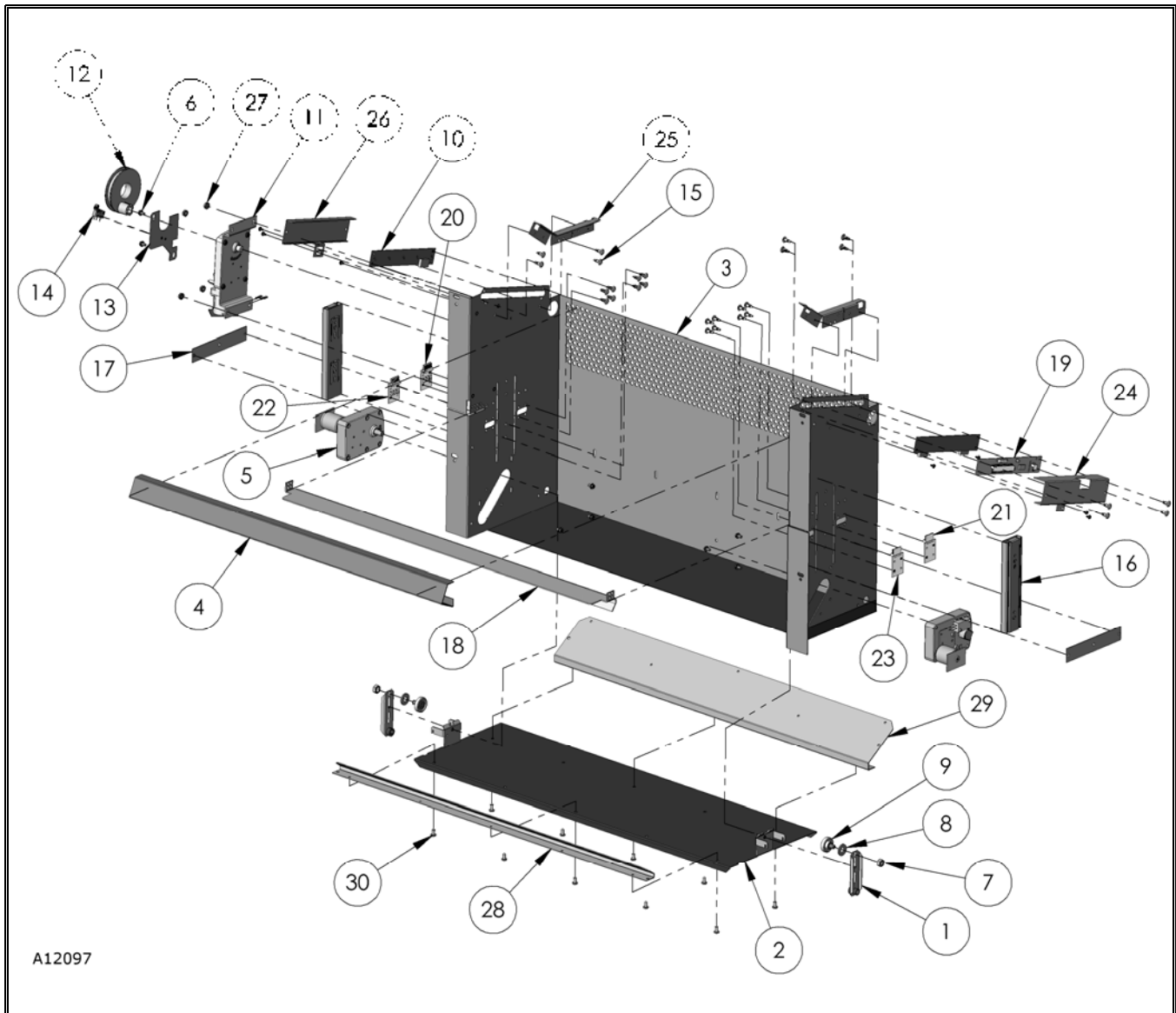
**DELIVERY BOX ASSEMBLY W/O LIFT PARTS LIST**

ITEM NO.	PART NUMBER	3565/ 3565A	3566/ 3566A	3567/ 3567A	3568/ 3568A	DESCRIPTION
1	1218451.005330	1	1	-	-	DELIVERY BOX WELD/5W
	1218451.003330	-	-	1	1	DELIVERY BOX WELD/3W
2	4212464.010	1	1	1	1	DELIVERY SENSOR/COMPLETE/COATE
3	4220025	8	8	8	8	RICHCO RLCBSPR-4-01 STAND
4	4220140.005330	1	1	-	-	DELIVERY BACK DEFLECTOR/5W
	4220140.003330	-	-	1	1	DELIVERY BACK DEFLECTOR/3W
5	4220166.000330	1	1	-	-	DELIVERY LED MOUNT
	4220545.000330	-	-	1	1	DELIVERY LED MOUNT
6	4220167.000330	1	1	-	-	DELIVERY OPENING ANTI-CHEAT
	4220549.000330	-	-	1	1	DELIVERY OPENING ANTI-CHEAT
7	4220448.005	1	1	-	-	DELIVERY FLOOR SHEET/5W
	4220448.003	-	-	1	1	DELIVERY FLOOR SHEET/3W
8	4220823.000330	2	2	2	2	DELIVERY BOX FILLER
9	4220999.000330	1	1	1	1	I-VEND COVER
10	4221032.000330	2	2	2	2	DELIVERY DOOR STOP
11	4221270.000330	1	1	1	1	I-VEND COVER (LEFT)
12	4215561.014	10	10	10	10	SNAP RIVET/BLACK 1/8
13	4050420.001	18	18	18	18	8-18X1/4 PHIL HWH TY-/BLACK

**LIST OF PARTS NOT SHOWN**

14	4216708	1	1	1	1	I-VEND EXTENSION CABLE
15	4222028.005	OPT	OPT	-	-	DELIVERY PAD-DEL BTM/5W (WITHOUT LIFT ONLY)
	4222028.003	-	-	OPT	OPT	DELIVERY PAD-DEL BTM/3W (WITHOUT LIFT ONLY)

## DELIVERY BOX ASSEMBLY WITH LIFT



A12097



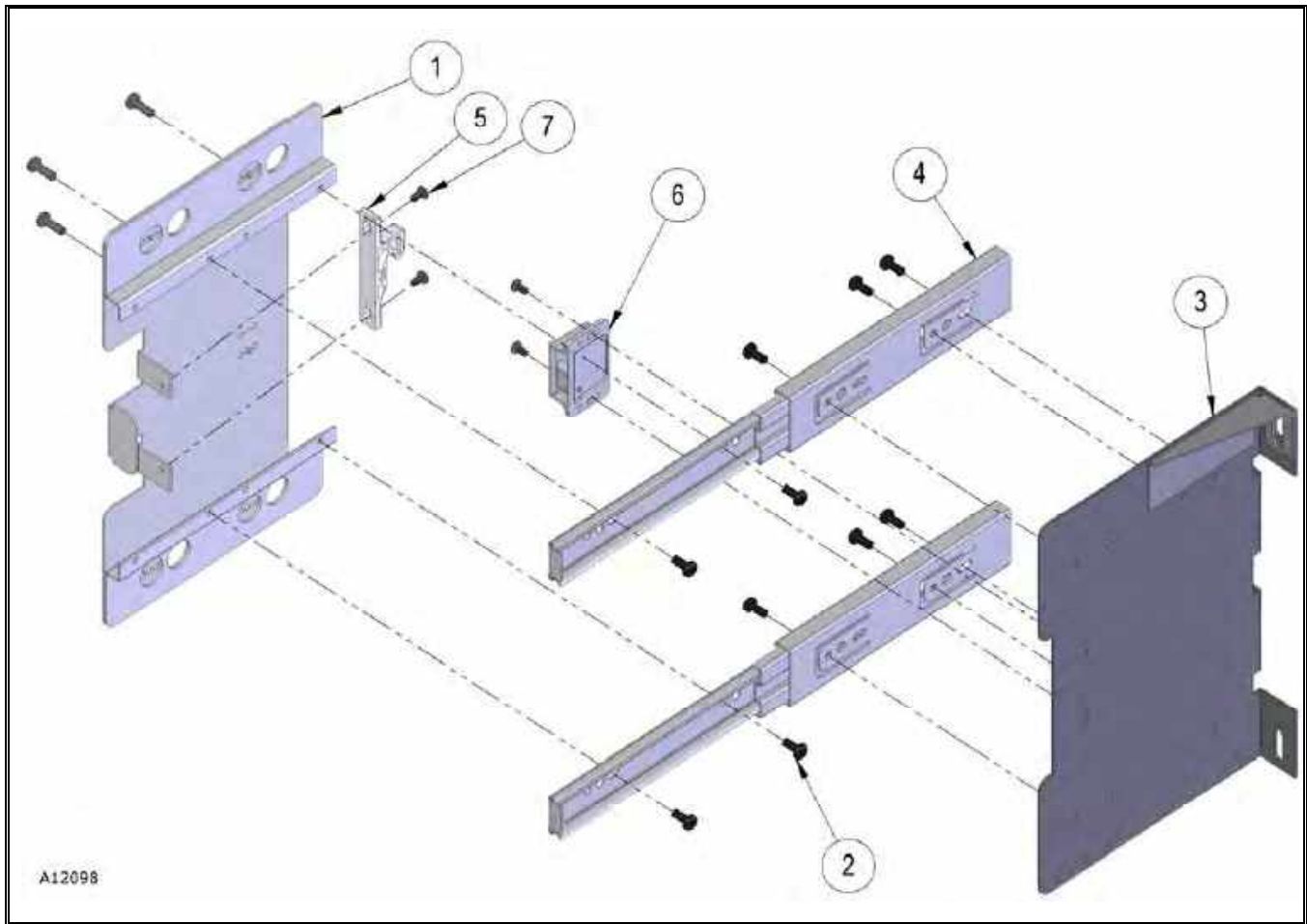
**DELIVERY BOX ASSEMBLY WITH LIFT PARTS LIST**

ITEM NO.	PART NUMBER	3565/ 3565A	3566/ 3566A	3567/ 3567A	3568/ 3568A	DESCRIPTION
1	1218355.003950	2	2	2	2	LIFT ARM WELD
2	1218448.000330	1	1	-	-	LIFT FLOOR WELD/5W
	1218584.000330	-	-	1	1	LIFT FLOOR WELD/3W
3	1218451.005330	1	1	-	-	DELIVERY BOX WELD/5W
	1218451.003330	-	-	1	1	DELIVERY BOX WELD/3W
4	1218581.005	1	1	-	-	DELIVERY BOX LED ASSEMBLY/5W with LED ENGINES
	1218581.015	1	1	-	-	DELIVERY BOX LED ASSEMBLY/5W with STRIP LED'S
	1218581.003	-	-	1	1	DELIVERY BOX LED ASSEMBLY/3W with LED ENGINES
	1218581.013	-	-	1	1	DELIVERY BOX LED ASSEMBLY/3W with STRIP LED'S
5	1218709	2	2	2	2	DELIVERY LIFT MOTOR ASSEMBLY
6	4050420.001	21	21	18	18	8-18X1/4 PHIL HWH TY-/BLACK
7	4050496	2	2	2	2	1/4-20 NUT,TWO WAY LOCK
8	4050594	2	2	2	2	1/4 FLAT WASHER-USS
9	4060670.001	2	2	2	2	ROLLER
10	4212464.017	1	1	1	1	DELIVERY SENSOR/COMPLETE/COATE
11	4218768	1	1	1	1	DELIVERY DOOR MOTOR S4405
12	4218770	1	1	1	1	CAM-DELIVERY LIFT
13	4218773.001	1	1	1	1	SWITCH MOUNT STAKE
14	4219337	1	1	1	1	MICRO SWITCH W/LEVER DELIVERY
15	4220025	28	28	28	28	RICHCO RLCBSPR-4-01 STAND
16	4220026	2	2	2	2	ROLLER SLIDE
17	4220164	2	2	2	2	LIFT FLOOR PLATE
18	4220167.000330	1	1	-	-	DELIVERY OPENING ANTI-CHEAT
	4220549.000330	-	-	1	1	DELIVERY OPENING ANTI-CHEAT
19	4220640	1	1	1	1	DELIVERY LIFT WS SENSOR CONTROL BOARD
20	4220640.001	1	1	1	1	DELIVERY LIFT WS 2 EMITTER BOARD
21	4220640.002	1	1	1	1	DELIVERY LIFT WS 2 DETECTOR BOARD
22	4220640.003	1	1	1	1	DELIVERY LIFT WS 3 EMITTER BOARD
23	4220640.004	1	1	1	1	DELIVERY LIFT WS 3 DETECTOR BOARD
24	4220999.000330	1	1	1	1	I-VEND COVER (RIGHT)
25	4221032.000330	2	2	2	2	DELIVERY DOOR STOP
26	4221270.000330	1	1	1	1	I-VEND COVER (LEFT)
27	8800956	4	4	4	4	8-32 HEX NUT W/ETW
28	4220154.000330	1	1	-	-	FRONT LIFT DEFLECTOR/5W
29	4220139.000330	-	-	1	1	DELIVERY LIFT DEFLECTOR
30	4050423.001	10	10	10	10	8-18X3/8 PHIL PH TY-A/BLACK

**LIST OF PARTS NOT SHOWN**

31	4220934	1	1	1	1	ALPINE MOTOR HARNESS-DELIVERY
32	4220935	1	1	1	1	ALPINE DELIVERY LIFT SENSOR

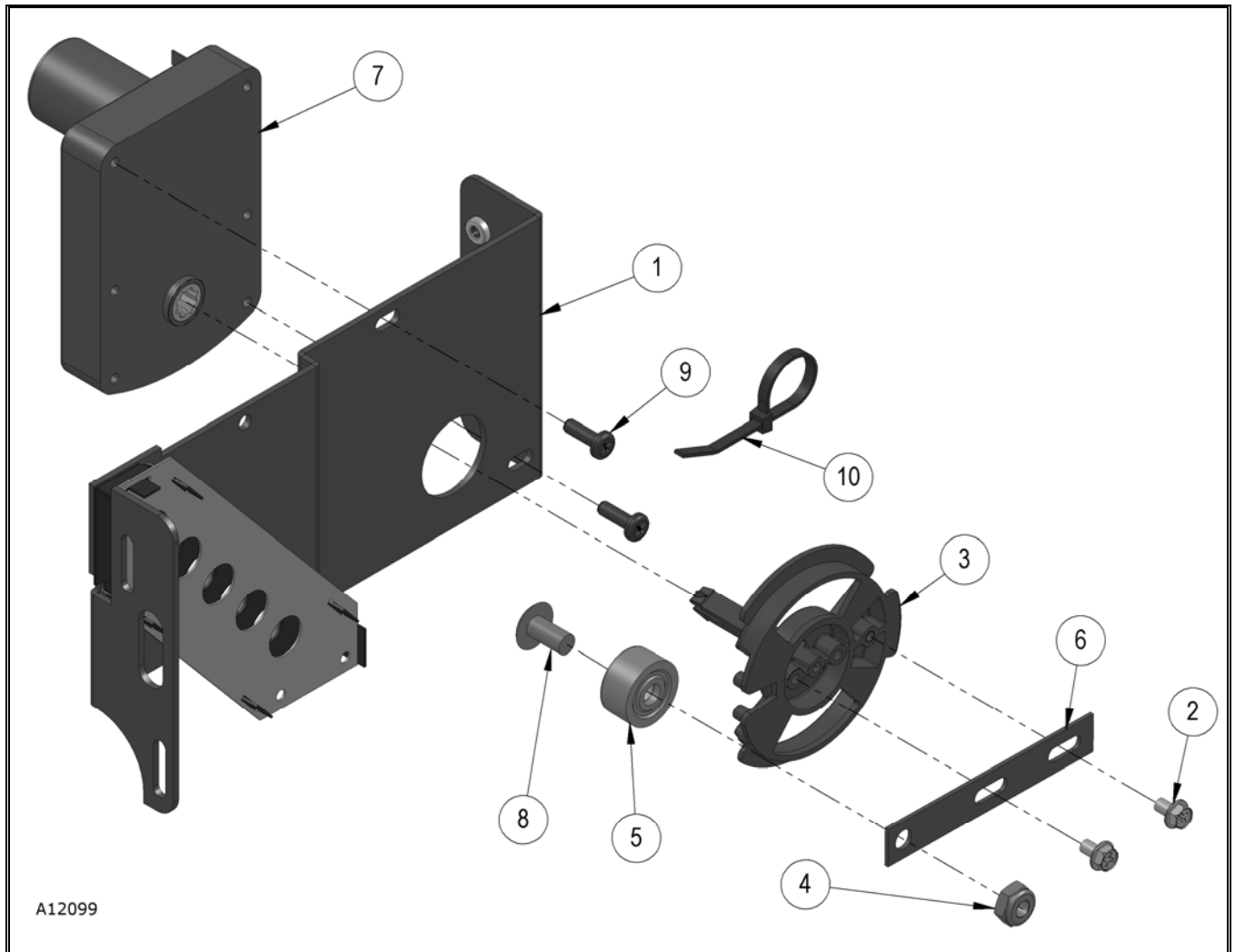
## COIN MECH MOUNT ASSEMBLY



### COIN MECH MOUNT ASSEMBLY PARTS LIST

ITEM NO.	PART NUMBER	3565/ 3565A	3566/ 3566A	3567/ 3567A	3568/ 3568A	DESCRIPTION
1	1218336.000330	1	1	1	1	COIN MECH MOUNT WELD
2	4050239	10	10	10	10	8-32X3/8 PHL PH TY-T
3	1218548.000330	1	1	1	1	COIN MECH SLIDE MOUNT
4	4219619	2	2	2	2	6" ROLLER SLIDE
5	4219878.001	1	1	1	1	GRABBER CATCH LATCH C3-12
6	4219878.002	1	1	1	1	GRABBER CATCH KEEPER C3-7
7	7320289.000	4	4	4	4	6-32X1/4 PHL PH TAPTI

## COIN RETURN MECHANISM ASSEMBLY



A12099

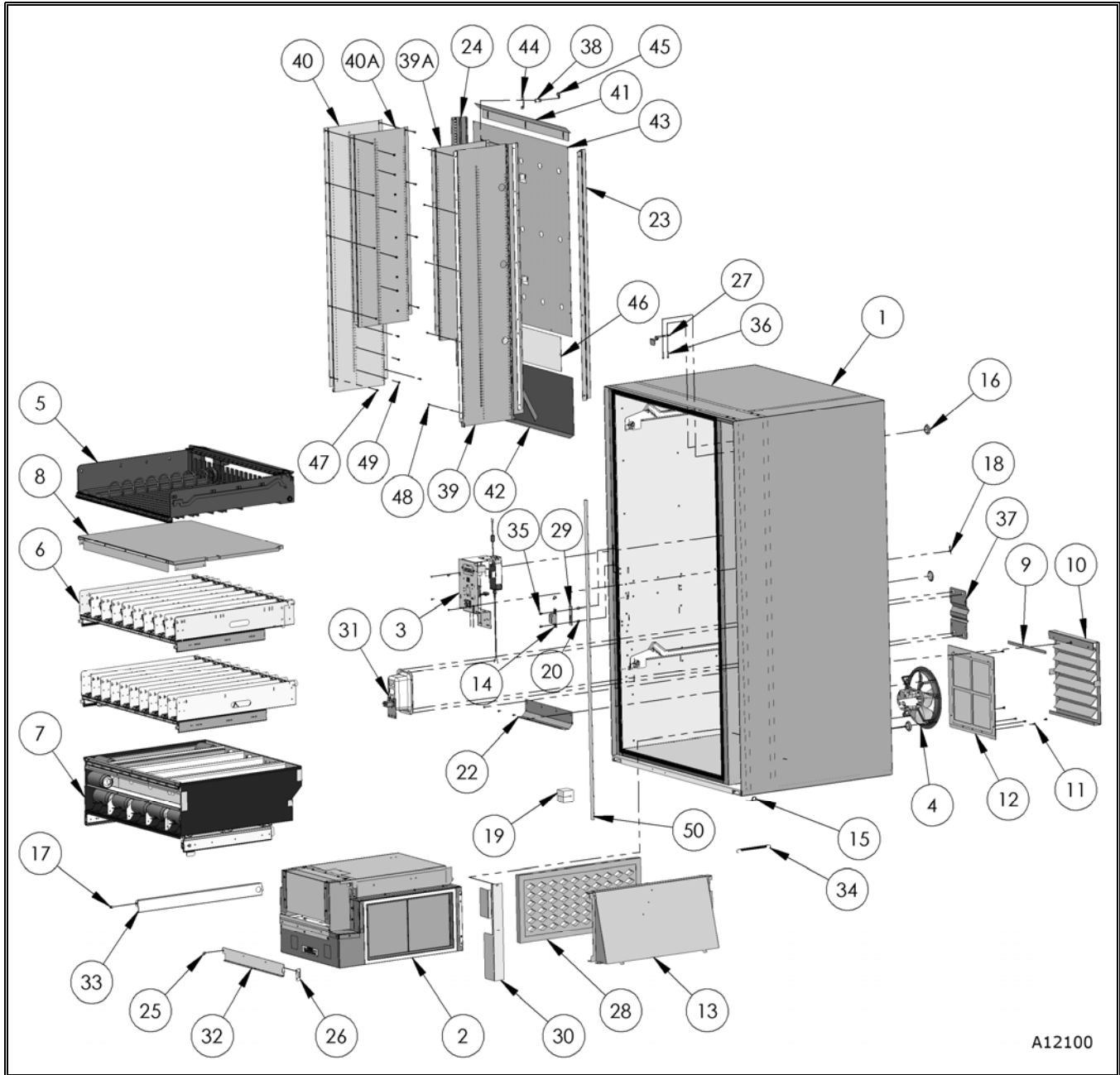
### COIN RETURN MECHANISM ASSEMBLY PARTS LIST

ITEM NO.	PART NUMBER	3565/ 3565A	3566/ 3566A	3567/ 3567A	3568/ 3568A	DESCRIPTION
1	1218520.400	1	1	1	1	COIN CHUTE ASSEMBLY
2	4050420	2	2	2	2	8-18X1/4 PHIL HWH TYP-
3	4216378	1	1	1	1	SPIRAL ADAPTER
4	4216407	1	1	1	1	1/4-20 NYLON INSERT NUT
5	4217738	1	1	1	1	BUSHING
6	4219355	1	1	1	1	COIN RETURN ROLLER MOUNT
7	4219909	1	1	1	1	MOTOR-24VDC/360/DS/SCREW
8	7200469.014	1	1	1	1	1/4-20X1/2 PHIL RH MS
9	8800636	2	2	2	2	8-18X1/2 PHIL PH TYPE-B
10	4033704	1	1	1	1	CABLE TIE

### LIST OF PARTS NOT SHOWN

11	4220391	1	1	1	1	COIN RETURN HARNESS
----	---------	---	---	---	---	---------------------

## CABINET ASSEMBLY



A12100

**CABINET ASSEMBLY PARTS LIST**

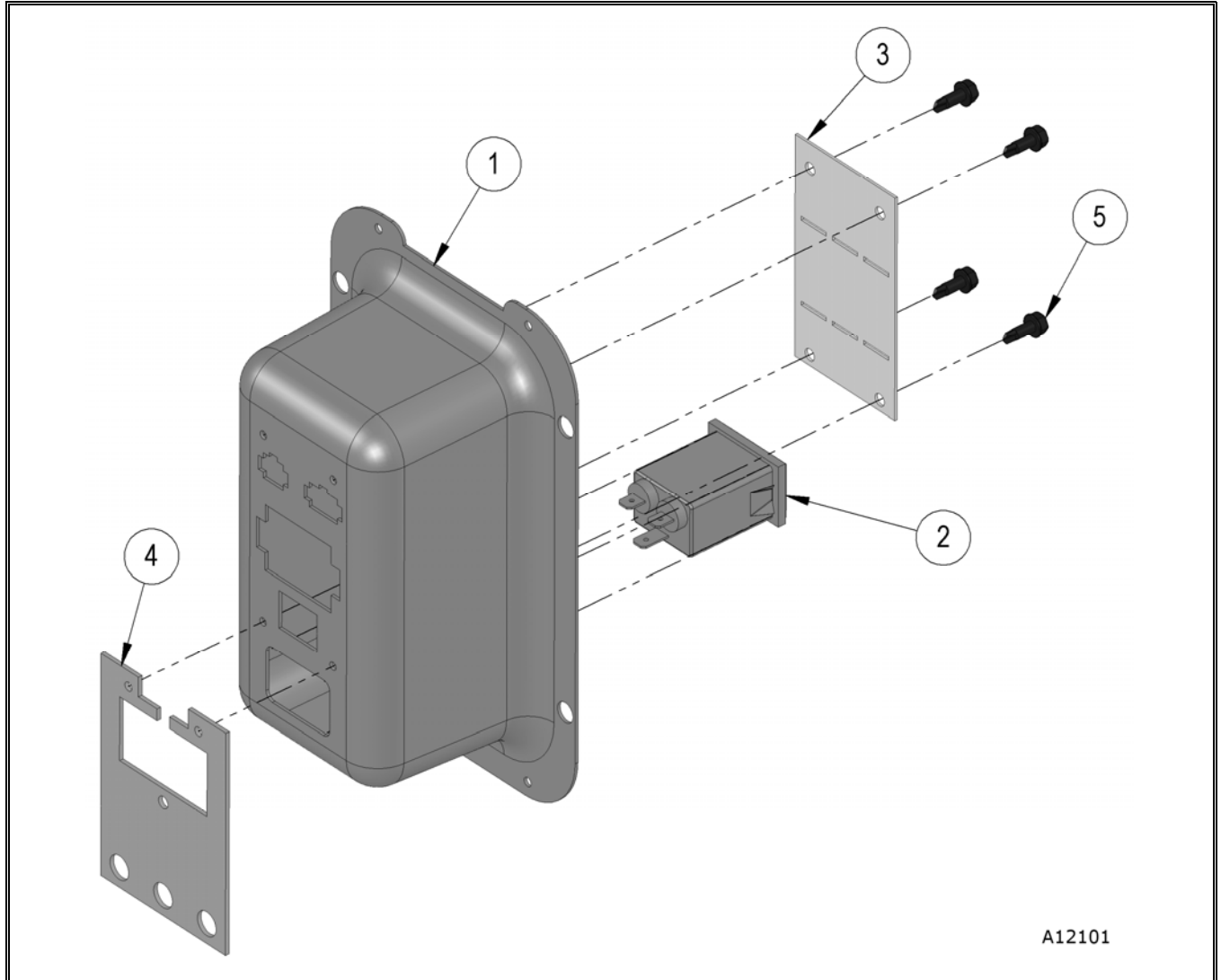
ITEM NO.	PART NUMBER	3565/ 3565A	3566/ 3566A	3567/ 3567A	3568/ 3568A	DESCRIPTION
1	1217691.400330	1	1	-	-	CABINET FOAM ASSEMBLY/5W/BLACK
	1218073.400330	-	-	1	1	CABINET FOAM ASSEMBLY/3W/BLACK
2	1218868	1	1	1	1	REFER MODULE-1/3HP/110VAC <a href="#">SEE PAGE # 31</a>
	1218868.001	1	1	1	1	REFER MODULE-1/3HP/220VAC <a href="#">SEE PAGE # 31</a>
3	1217694	1	1	1	1	POWER BOX ASSEMBLY/110VAC <a href="#">SEE PAGE # 29</a>
	1217694.011	1	1	1	1	POWER BOX ASSEMBLY/220VAC <a href="#">SEE PAGE # 29</a>
4	1216861.002	1	1	1	1	CONDENSOR FAN ASSEMBLY/110VAC <a href="#">SEE PAGE # 35</a>
	1216861.001	1	1	1	1	CONDENSOR FAN ASSEMBLY/220VAC <a href="#">SEE PAGE # 35</a>
5	<a href="#">SEE PAGE # 23</a>	AR	AR	-	-	PLASTIC TRAY (5W) W/O HARNESS
	<a href="#">SEE PAGE # 23</a>	-	-	AR	AR	PLASTIC TRAY (3W) W/O HARNESS
6	<a href="#">SEE PAGE # 25</a>	AR	AR	-	-	CAN/BOTTLE TRAY 10 SELECTION
	<a href="#">SEE PAGE # 25</a>	AR	AR	-	-	CAN/BOTTLE TRAY 9 SELECTION
	<a href="#">SEE PAGE # 25</a>	-	-	AR	AR	CAN & BOTTLE TRAY ASSEMBLY/3W
	1218020	AR	AR	-	-	HCCT ASSEMBLY/5W 355ML(12OZ) <a href="#">SEE PAGE # 27</a>
7	1218020.001	AR	AR	-	-	HCCT ASSEMBLY/5W 375ML <a href="#">SEE PAGE # 27</a>
	1218066	-	-	AR	AR	HCCT ASSEMBLY/3W 355ML(12OZ) <a href="#">SEE PAGE # 27</a>
	1218066.001	-	-	AR	AR	HCCT ASSEMBLY/3W 375ML <a href="#">SEE PAGE # 27</a>
8	1217701	-	1	-	-	BARRIER ASSEMBLY/5W <a href="#">SEE PAGE # 36</a>
	1218067	-	-	-	1	BARRIER ASSEMBLY/3W <a href="#">SEE PAGE # 36</a>
9	4209845	2.3FT	2.3FT	2.3FT	2.3FT	PROTECTIVE WINDOW SEAL 1/2"
10	4215819	1	1	1	1	BACK SCREEN COVER
11	8800638	6	6	6	6	10-16X3/8 PHL PH TYPE-B
12	1217222	1	1	1	1	SCREEN WELD
13	1217911.000330	1	1	1	1	INTAKE HOOD FILTER RACK
14	1218000	1	1	1	1	LATCH MOUNT ASSEMBLY
15	4033712	4	4	4	4	CABLE TIE 7 3/8"
16	7250135.000	3	3	3	3	HOLE PLUG, BP-1 3/8"
17	4212937.016	1	1	1	1	THREAD INSERT, 1/4-20
18	4213784	1	1	1	1	PUSH BUTTON WIRE TIE
19	4214006	2	2	2	2	HARNESS INSUL BLOCK
20	4215383	2	2	2	2	10-24 HEX NUT INSERT
21	4215633.001	2	2	2	2	SMALL BINDER CLIP
22	4215799.000330	1	1	1	1	AIR BAFFLE BACK
23	4217340	1	1	1	1	RIGHT BACK RAIL SUPPORT
24	4217341	1	1	1	1	LEFT BACK RAIL SUPPORT
25	4217354	1	1	1	1	1/4-20 X 5/8 PHL
26	4217512	1	1	1	1	REFER HOLD DOWN RETAINER
27	4217698	1	1	1	1	SWITCH ACTIVATOR
28	4218114	2	2	2	2	AIR FILTER (12x25x1)
29	4219325	1	1	1	1	LATCH SPACER
30	4220653.000330	1	1	1	1	COIN MECH PUSHER
31	<a href="#">SEE PAGE # 21</a>	1	1	1	1	CONNECTION BOX ASSEMBLY/110VAC

ITEM NO.	PART NUMBER	3565/ 3565A	3566/ 3566A	3567/ 3567A	3568/ 3568A	DESCRIPTION
	<a href="#">SEE PAGE # 22</a>	1	1	1	1	CONNECTION BOX ASSEMBLY/220VAC
32	4221775	1	1	1	1	FRONT REFER HOLD DOWN
33	4221776	1	1	1	1	SIDE REFER HOLD DOWN
34	8361468	1	1	1	1	SPRING BAR RETAINER
35	8800829	2	2	2	2	10-24X3/8 PHL TH W/ET TYP
36	8810035.001	2	2	2	2	10-24X1 TRUSS CROSS HEAD
37	4213448.000330	1	1	1	1	CONNECTION BOX COVER FAWNB
38	4214684	1	1	1	1	TEMP SENSOR-CABINET
39	4217338.000330	1	1	1	1	RIGHT FRONT RAIL SUPPORT
39 A	4221271.000330	-	-	-	-	RIGHT FRONT RAIL SUPPORT (USED WITH HCCT)
40	4217339.000330	1	1	1	1	LEFT FRONT RAIL SUPPORT
40 A	4217397.000330	1	-	1	-	LEFT FRONT RAIL SUPPORT (USED WITH HCCT)
41	4217386	1	1	-	-	AIR DEFLECTOR(5W)
	4218901	-	-	1	1	AIR DEFLECTOR/3W
42	4217496.000330	1	1	-	-	BOTTOM AIR BLOCK(5W)
	4218899.000330	-	-	1	1	BOTTOM AIR BLOCK/3W
43	4217498.000330	1	-	-	-	SZ AIR BLOCK(5W)
	4218898.000330	-	-	1	-	SZ AIR BLOCK
44	4219708	1	1	1	1	SENSOR MOUNT
45	8324099.14	1	1	1	1	CLAMP - 3/8 X 1/8
47	4217497.000330	-	1	-	-	MIDDLE AIR BLOCK/5W
	4218900.000330	-	-	-	1	MIDDLE AIR BLOCK/3W
48	4050239	25	25	25	25	8-32X3/8 PHL PH TY-T
49	4050241.001	10	10	10	10	8-18X 3/4 PHIL PD/BLACK
50	4050420.001	10	10	10	10	8-18X1/4 PHIL HWH TY-/BLACK
51	4213532	7FT	7FT	7FT	7FT	D GASKET

**LIST OF PARTS NOT SHOWN**

52	R.3994	5 FT	5 FT	5 FT	5 FT	SEAL-MASTIC PERMAGUM
53	4220399	1	1	1	1	ALPINE POWER HARNESS
54	4220537	1	1	1	1	MOTOR MATRIX HARNESS
55	4219869	1	1	1	1	CENTER SEAL 2 POS MATE-N-

## CONNECTION BOX ASSEMBLY (110VAC)

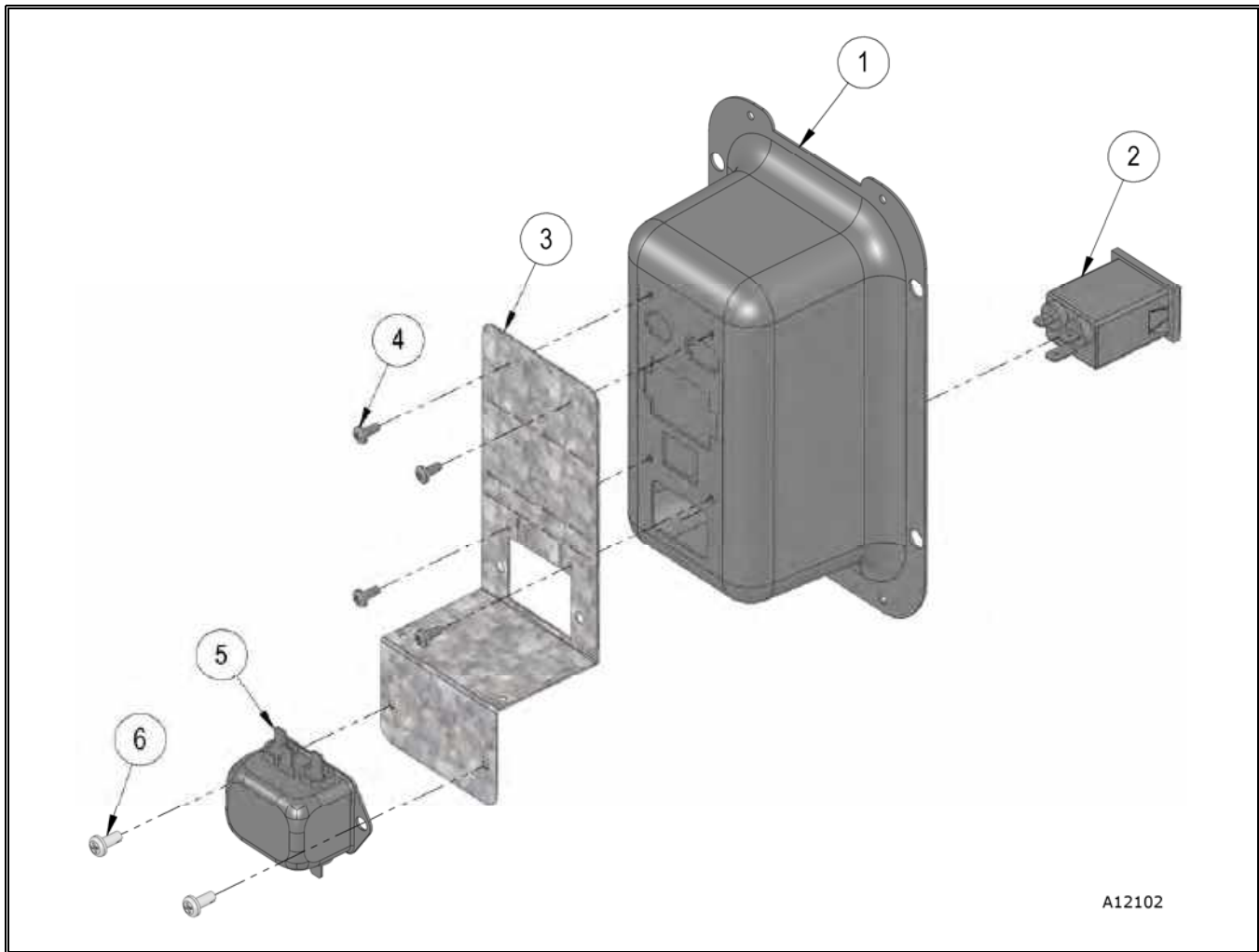


A12101

### CONNECTION BOX ASSEMBLY (110VAC) PARTS LIST

ITEM NO.	PART NUMBER	3565	3566	3567	3568	DESCRIPTION
1	4216393.000330	1	1	1	1	CONNECTION BOX
2	4212490.002	1	1	1	1	RFI FILTER IEC SOCKET 10AMP
3	4217384	1	1	1	1	CONNECTION BOX FILLER
4	4220099	1	1	1	1	HARNESS SPRING MOUNT
5	4050202	4	4	4	4	8-18X1/2 PHIL HWH TEK

## CONNECTION BOX ASSEMBLY (220VAC)



### CONNECTION BOX ASSEMBLY (220VAC) PARTS LIST

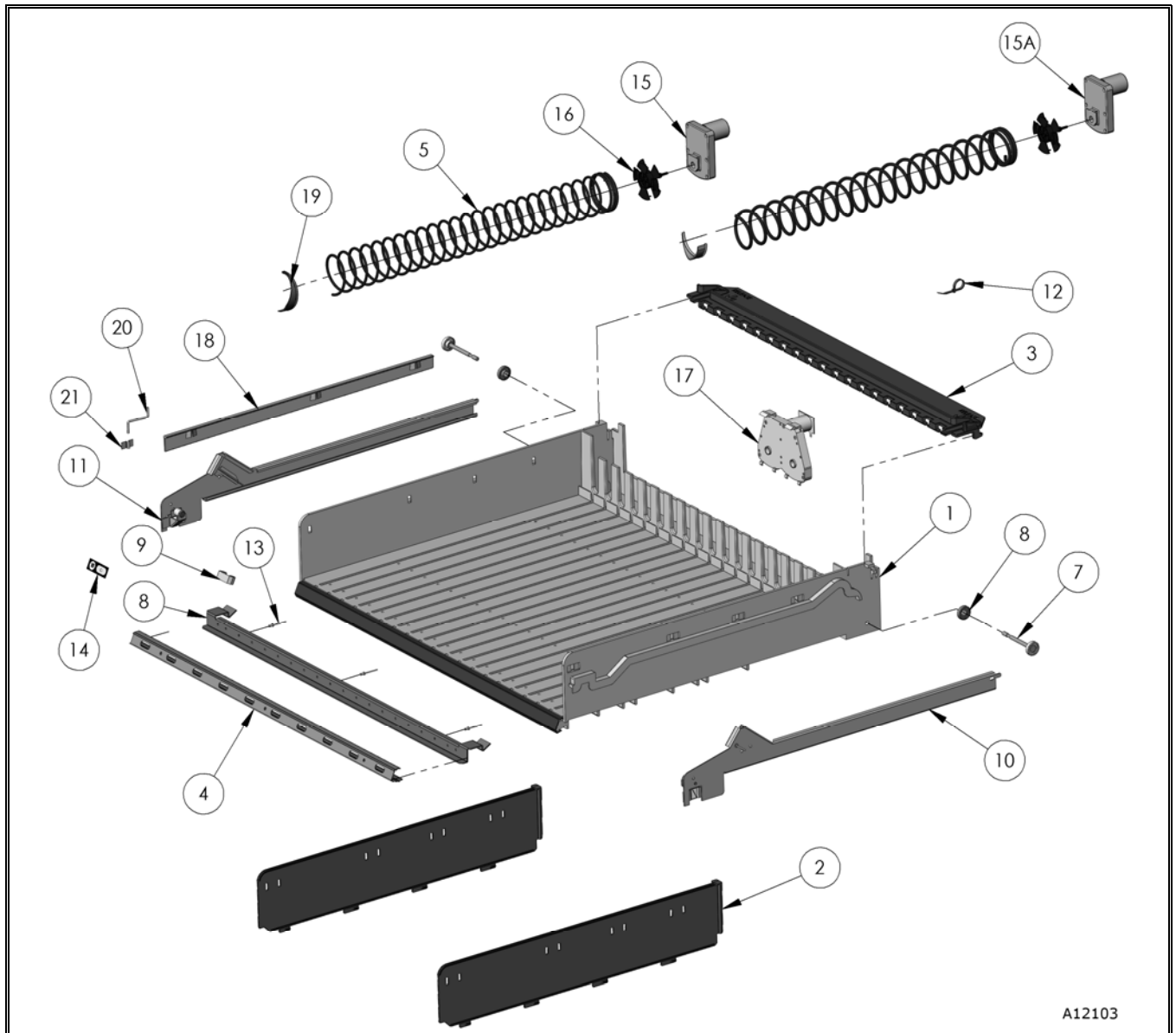
ITEM NO.	PART NUMBER	3565A	3566A	3567A	3568A	DESCRIPTION
1	4216393.000330	1	1	1	1	CONNECTION BOX
2	4212490.002	1	1	1	1	RFI FILTER IEC SOCKET 15AMP
3	4220378	1	1	1	1	EMI FILTER BRACKET
4	4050120	4	4	4	4	6 – 32 X 5 / 16 PHIL PH TYP
5	4220377	1	1	1	1	EMI FILTER
6	4050239	2	2	2	2	8 – 32 X 3 / 8 PHL PH TY- T

### LIST OF PARTS NOT SHOWN

7	4220398	1	1	1	1	230 VAC FILTER HARNESS
8	4220399	1	1	1	1	ALPINE POWER HARNESS



## PLASTIC TRAY ASSEMBLY



A12103

### PLASTIC TRAY ASSEMBLY PARTS LIST

ITEM NO.	PART NUMBER	3565/ 3565A	3566/ 3566A	3567/ 3567A	3568/ 3568A	DESCRIPTION
1	1216001	AR	AR	-	-	5W TRAY (INCLUDES ITEM 3, 6, 7 & 8)
	1212139.003	-	-	AR	AR	3W TRAY (INCLUDES ITEM 3, & 7)
2	4210732 .001	AR	AR	-	-	TRAY DIVIDER 5W TRAY
	4025797	-	-	AR	AR	TRAY DIVIDER 3W TRAY
3	4210731.005	AR	AR	-	-	MOTOR COVER 5W TRAY
	4203277.003	-	-	AR	AR	MOTOR COVER 3W TRAY
4	4210733.005	AR	AR	-	-	TRAY EXTRUSION / LABEL HOLDER 5W TRAY
	4203229.003	-	-	AR	AR	LABEL HOLDER 3W TRAY
5	<a href="#">SEE PAGE # 37</a>	AR	-	-	AR	SPIRALS

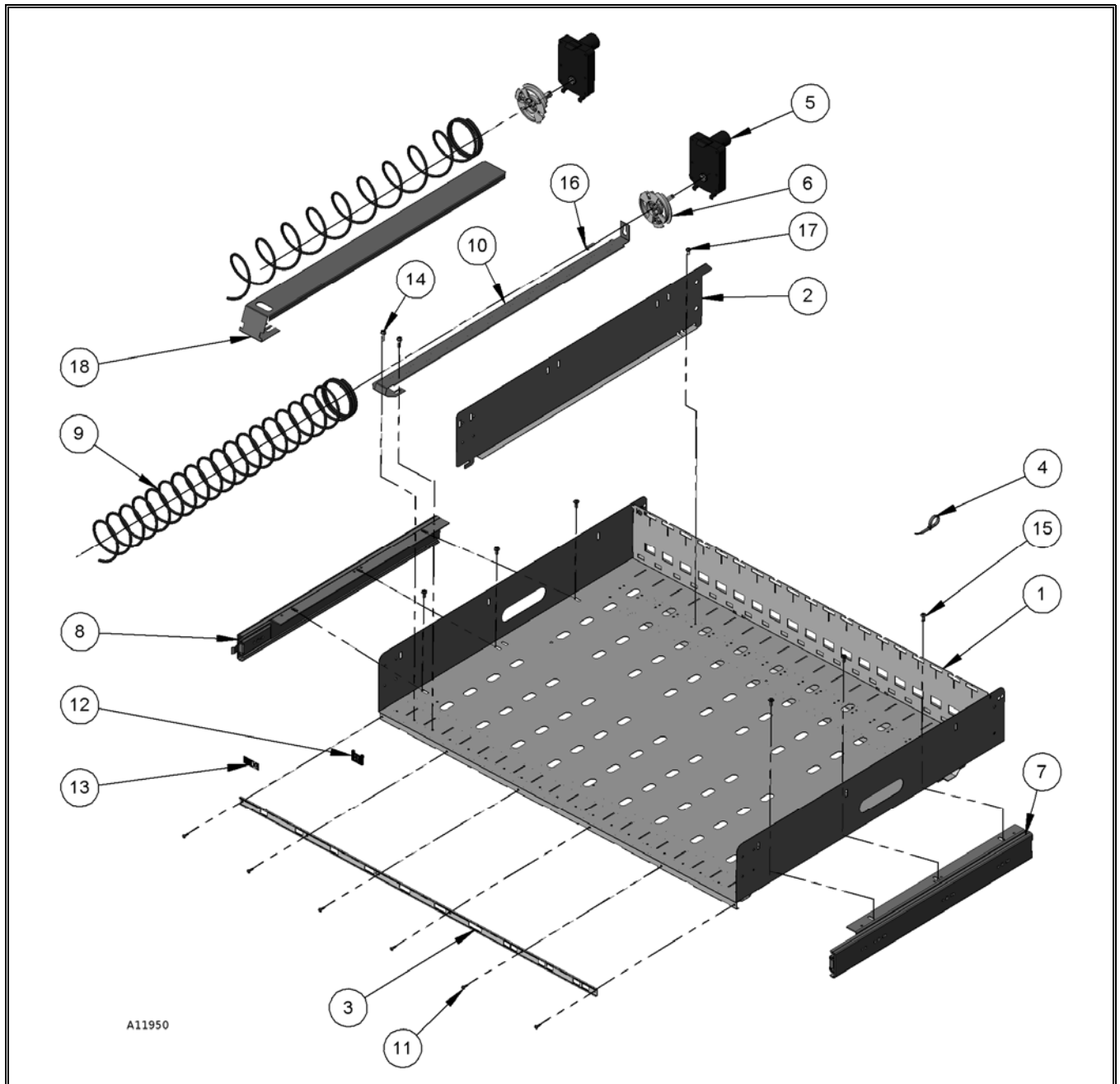
ITEM NO.	PART NUMBER	3565/ 3565A	3566/ 3566A	3567/ 3567A	3568/ 3568A	DESCRIPTION
6	4203029	AR	AR	-	-	WASHER INNER DOOR
7	4060670.009	AR	AR	-	-	ROLLER 5W TRAY
	4060670.004	-	-	AR	AR	ROLLER 5W TRAY
8	4211371	AR	AR	-	-	TRAY BRACE
9	<a href="#">SEE PAGE # 38</a>	AR	AR	AR	AR	PRICE SCROLL (4213143.XXX)
10	1215925	AR	AR	AR	AR	RAIL ASSEMBLY LONG RIGHT
11	1215925.001	AR	AR	AR	AR	RAIL ASSEMBLY LONG LEFT
12	4033712	AR	AR	AR	AR	CABLE TIE 7 3/8"
13	4212631	AR	AR	-	-	ALUMINUM/STEEL PLOLYGRIP RIVET
14	4218816	AR	AR	AR	AR	SELECTION SCROLL COVER
15	4034388	AR	AR	AR	AR	24 VDC MOTOR-360 DEGREE / CCW
15A	404388.002	AR	AR	AR	AR	24 VDC MOTOR-360 DEGREE / CW
16	4209502	AR	AR	AR	AR	AUGER COUPLING GRAY
17	4205436	AR	AR	AR	AR	DUAL HELIX MOTOR 24VDC
18	8370660.5	AR	AR	AR	AR	SPACER
19	4025748	AR	AR	AR	AR	PRODUCT ENJECTOR - CCW- BLK
	4025748.002	AR	AR	AR	AR	PRODUCT ENJECTOR - CW- BLK
20	8370998	AR	AR	AR	AR	SUPPORT SPACER
21	4200281	AR	AR	AR	AR	SPRING CLIP

**LIST OF PARTS NOT SHOWN**

22	4214343.005	AR	AR	-	-	TRAY HARNESS 5W
23	4214343.003	-	-	AR	AR	TRAY HARNESS 3W

**NOTE: AR - AS REQUIRED**

## CAN & BOTTLE TRAY ASSEMBLY



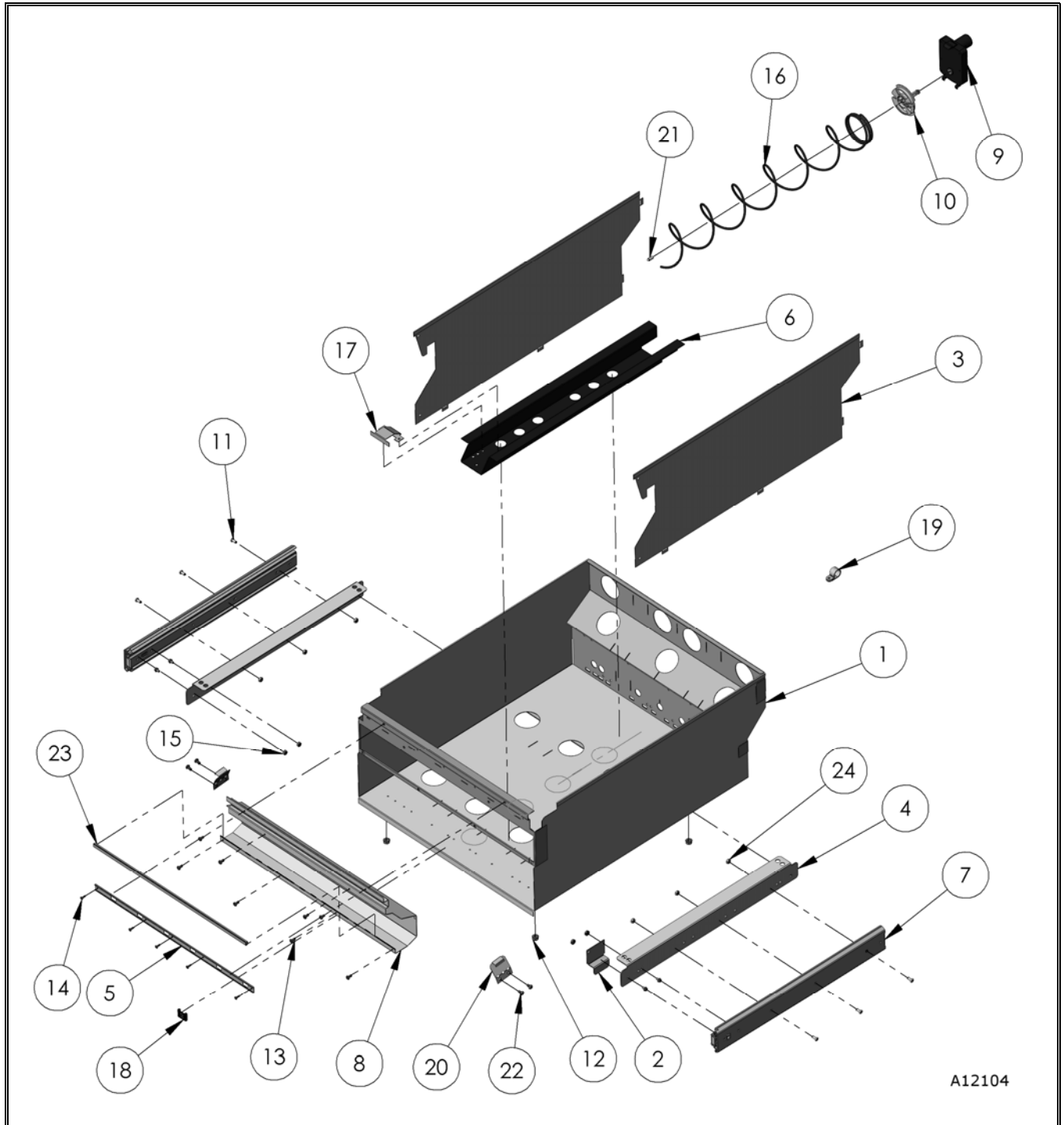
### CAN & BOTTLE TRAY ASSEMBLY PARTS LIST

ITEM NO.	PART NUMBER	3565/ 3565A	3566/ 3566A	3567/ 3567A	3568/ 3568A	DESCRIPTION
	1217497.000330	AR	AR	-	-	TRAY WELD (5W) (10 SELECTION)
1	1217707.000330	AR	AR	-	-	TRAY WELD (5W) (9 SELECTION)
	1218075.000330	-	-	AR	AR	TRAY WELD/3W-BTL
2	4209261.001330	AR	AR	AR	AR	TRAY DIVIDER/BLACKK / CRS
	4217474.001	AR	AR	-	-	LABEL HOLDER (5W)
3	4217748	-	-	AR	AR	LABEL HOLDER (3W)
4	4033712	AR	AR	AR	AR	CABLE TIE 7 3/8"

ITEM NO.	PART NUMBER	3565/ 3565A	3566/ 3566A	3567/ 3567A	3568/ 3568A	DESCRIPTION
5	4216379.004	AR	AR	AR	AR	MOTOR SNAP-IN 360 DEG
6	4216378	AR	AR	AR	AR	SPIRAL ADAPTER
7	4216381	AR	AR	AR	AR	ROLLER SLIDE LEFT
8	4216381.001	AR	AR	AR	AR	ROLLER SLIDE RIGHT
9	<a href="#">SEE PAGE # 37</a>	AR	AR	AR	AR	AUGER – PRODUCT
10	4218723.000330	AR	AR	AR	AR	RISER
11	7200468.005	AR	AR	-	-	6-18X1/4 PHIL TH TY
	4215561.019	-	-	AR	AR	SNAP RIVET/BLACK 1/8
12	<a href="#">SEE PAGE # 38</a>	AR	AR	AR	AR	PRICE SCROLL
13	4217483	AR	AR	AR	AR	SELECTION INDENT SHEET
14	4050423.001	AR	AR	AR	AR	8-18X3/8 PHIL PH TY-A/BLACK
15	4050420.001	AR	AR	-	-	8-18X1/4 PHIL HWH TY-/BLACK
16	4050423	AR	AR	AR	AR	8-18X3/8 PHIL PH TY-A
17	4050420	AR	AR	AR	AR	8-18X1/4 PHIL HWH TYP-A
18	4206251.000309	AR	AR	AR	AR	PRODUCT TRAY SPACER-BLACK

**NOTE: AR = AS REQUIRED**

## HIGH CAPACITY CAN TRAY (HCCT) ASSEMBLY



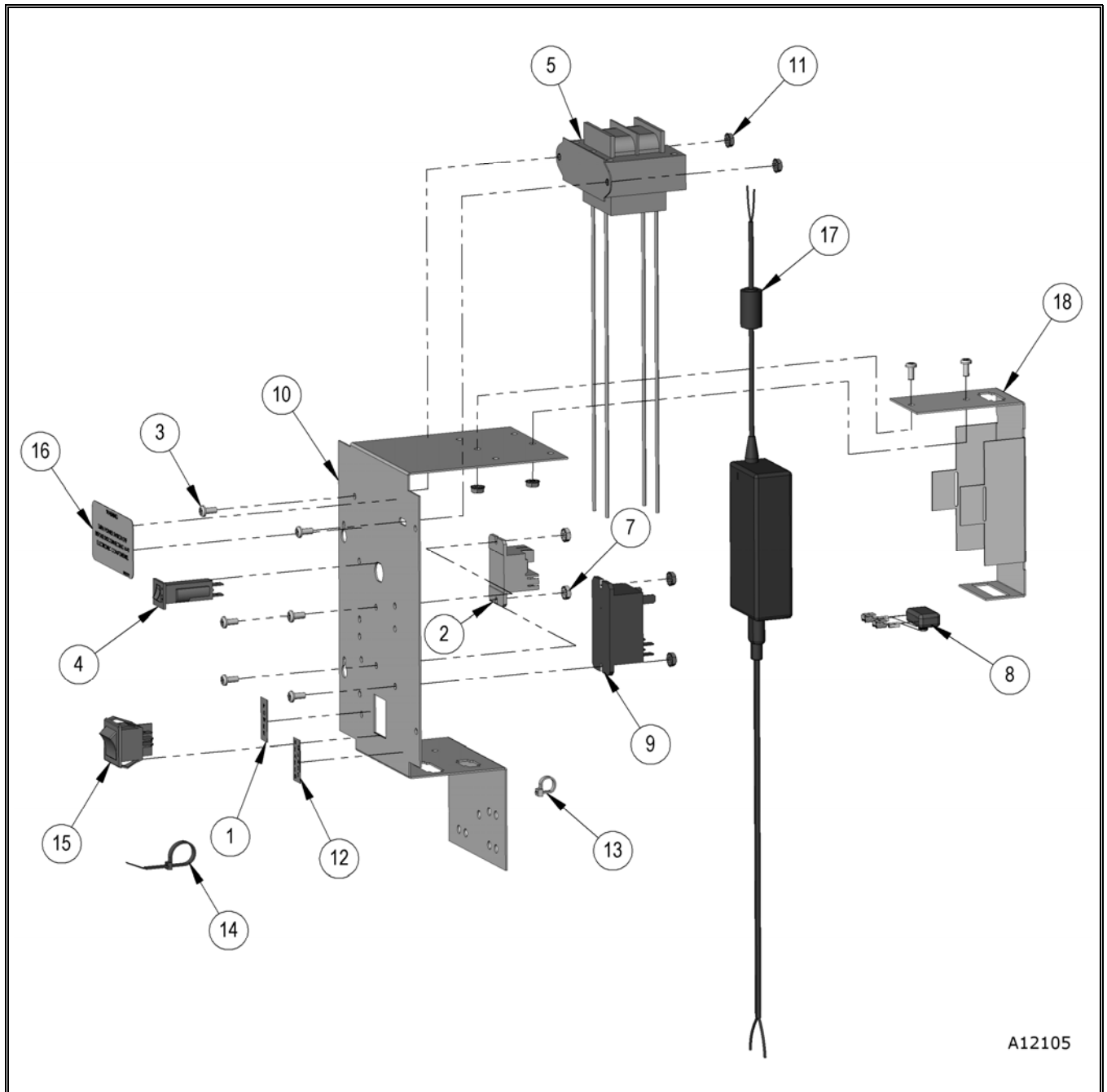
**HCCT TRAY ASSEMBLY PARTS LIST**

ITEM NO.	PART NUMBER	3565/ 3565A	3566/ 3566A	3567/ 3567A	3568/ 3568A	DESCRIPTION
1	1218021.000330	AR	AR	-	-	HCCT TRAY WELD/5W
	1218082.000330	-	-	AR	AR	HCCT TRAY WELD/3W
2	4216788.000330	AR	AR	AR	AR	HCCT SLIDE STOP
3	4218971.000330	AR	AR	AR	AR	HCCT DIVIDER
4	4214234.000330	AR	AR	AR	AR	DRAWER SLIDE BRACE
5	4217474	AR	AR	-	-	LABEL HOLDER 5W TRAY
	4217748	-	-	AR	AR	LABEL HOLDER 3W TRAY
6	4214092.000330	AR	AR	AR	AR	SPIRAL RETAINER
7	4214233	AR	AR	AR	AR	DRAWER SLIDE
8	4218729.000330	AR	AR	-	-	HCT FRONT BRACE/5W
	4218892.000330	-	-	AR	AR	HCT FRONT BRACE/3W
9	4216379.004	AR	AR	AR	AR	MOTOR SNAP-IN 360 DEG
10	4216378	AR	AR	AR	AR	SPIRAL ADAPTER
11	4050240	AR	AR	AR	AR	8-32X3/8 PHIL PH MS
12	8800959	AR	AR	AR	AR	1/4-20 HEX NUT W/ETW
13	4050423.001	AR	AR	AR	AR	8-18X3/8 PHIL PH TY-A
14	4215561.019	AR	AR	AR	AR	SNAP RIVET/BLACK 1/8
15	8800956	AR	AR	AR	AR	8-32 HEX NUT W/ETW
16	4214090.000309	AR	AR	AR	AR	SPIRAL- 8 CT
17	4214910.000330	AR	AR	AR	AR	SPIRAL LIFT
18	<a href="#">SEE PAGE # 38</a>	AR	AR	AR	AR	PRICE SCROLL (4217475.XXX)
19	8324099.4	AR	AR	AR	AR	CLAMP - 3/8 X 3/8
20	4216787	AR	AR	AR	AR	HCT LATCH
21	4050548.001	AR	AR	AR	AR	SCREW COVER-BLACK
22	8800638	AR	AR	AR	AR	10-16X3/8 PHL PH TYPE
23	4221985	AR	AR	AR	AR	D GASKET
24	4050511	AR	AR	AR	AR	8-32 NUT-TWO WAY LOCK

**LIST OF PARTS NOT SHOWN**

25	4215985	AR	AR	AR	AR	TRAY HARNESS-CAN MECHANISM
----	---------	----	----	----	----	----------------------------

# POWER BOX ASSEMBLY (110V & 220V)



A12105

**POWER BOX ASSEMBLY (110V & 220V) PART LIST**

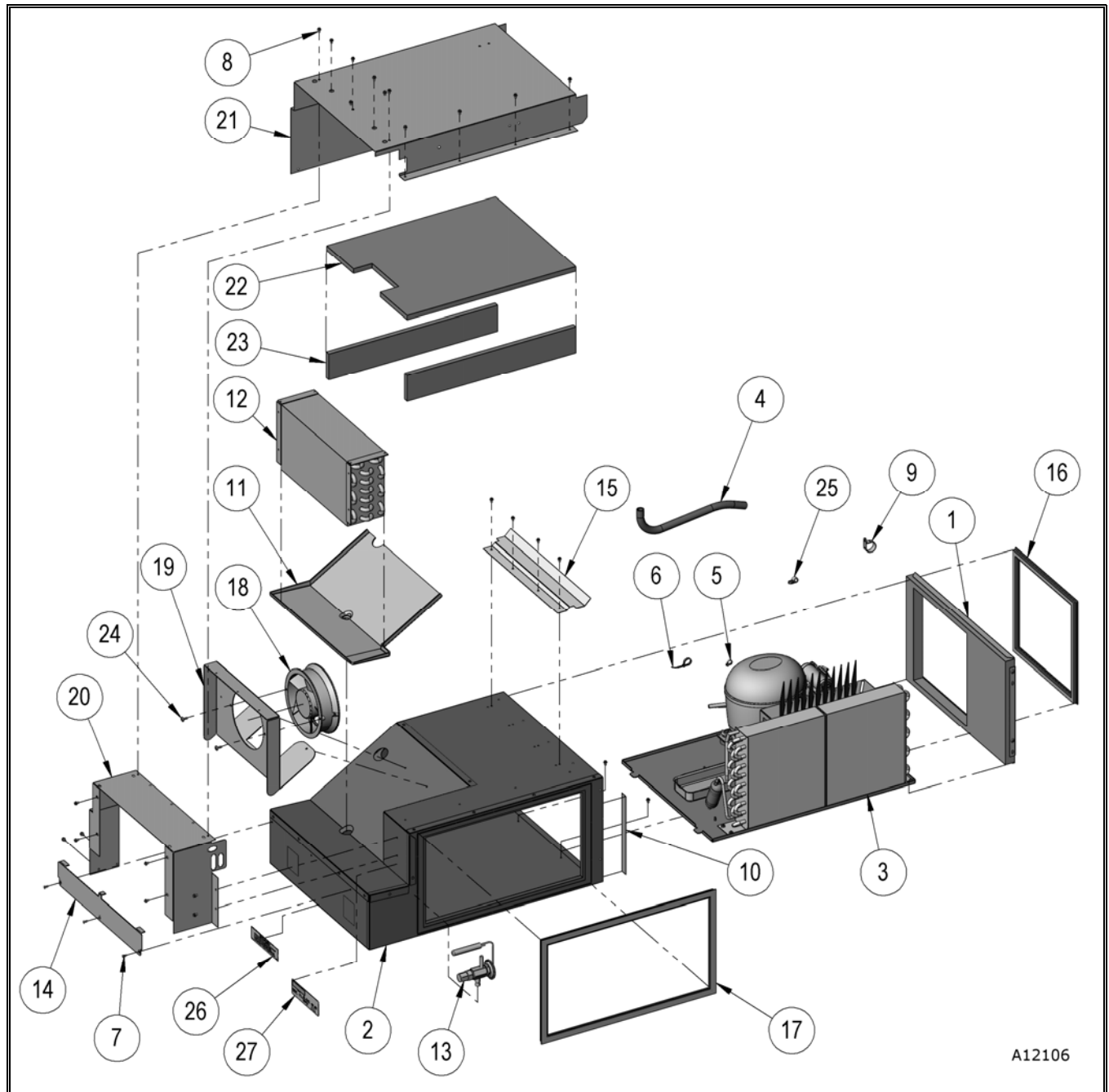
ITEM NO.	PART NUMBER	3565 / 3666 /	3565A / 3666A /	DESCRIPTION
		3567 / 3668	3567A / 3668A	
		(110V)	(220V)	
1	4212527	1	1	POWER LABEL
2	4216013	1	1	MINI RELAY SPST, 24VDC
3	4050240	5	7	8-32 x .375 PHIL PH MS
4	4203467.003	1	1	3 AMP CIRCUIT BREAKER
5	4206570.000	1	-	TRNSFORMR,110V INPUT/24V
	4206570.001	-	1	TRNSFORMR,230V INPUT/24V
6	8800060	2	2	6-32 x 3/8 PHIL PH MS
7	8800955	2	2	6-32 HEX NUT W/ETW
8	1216357	1	-	ARC SUPPRESSOR SNUBBER 110V
	1216357.001	-	1	ARC SUPPRESSOR SNUBBER 220V
9	4206643	1	1	RELAY DPST 24 VAC/DC30A
10	4218777	1	1	POWER BOX
11	8800956	5	7	8-32 HEX NUT W/ETW
12	4212526	1	1	HEATED GLASS LABEL
13	4033704	2	2	CABLE TIE
14	4033712	1	1	CABLE TIE 7 3/8"
15	4213627	1	1	SWITCH-DOUBLE POLE
16	8620711	1	1	POWER SWITCH WARNING
17	4219620	1	1	LED POWER SUPPLY - TERMINATED
18	4221934	1	1	LED POWER SUPPLY MOUNT

**LIST OF PARTS NOT SHOWN**

19	4217622	1	1	CABINET CONTROL HARNESS
20	4217653	1	1	POWER BOX/RELAY PRIMARY HARNESS
21	4217619	1	1	POWER BOX/RELAY SECONDARY
22	4222072	1	1	LED POWER SUPPLY JUMPER



## REFRIGERATION MODULE ASSEMBLY (110V & 220V)



A12106

### REFRIGERATION MODULE (110 & 220V) PARTS LIST

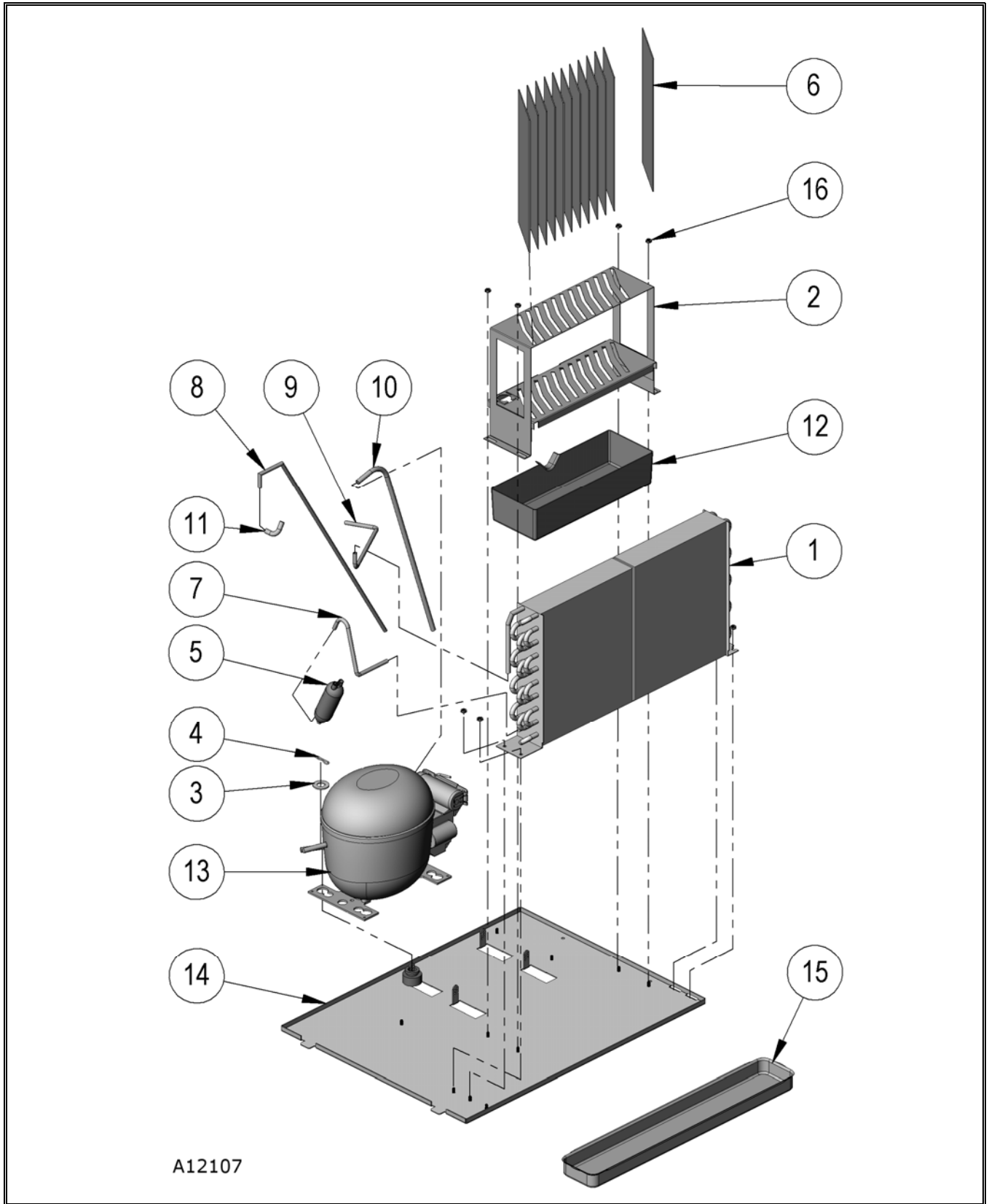
ITEM NO.	PART NUMBER	3565 / 3666 /	3565A / 3666A /	DESCRIPTION
		3567 / 3668	3567A / 3668A	
		(110V)	(220V)	
-	1218868	1	-	REFRIGERATION MODULE-1/3HP/110VAC-COMplete
-	1218868.001	-	1	REFRIGERATION MODULE-1/3HP/220VAC-COMplete
1	1218016	1	1	REFER BACK COVER ASSEMBLY
2	1218108	1	1	MODULE-FOAMED
3	<a href="#">SEE PAGE # 33</a>	1	-	REFER BASE ASSEMBLY/110VA

ITEM NO.	PART NUMBER	3565 / 3666 /	3565A / 3666A /	DESCRIPTION
		3567 / 3668	3567A / 3668A	
		(110V)	(220V)	
	<a href="#">SEE PAGE # 33</a>	-	1	REFER BASE ASSEMBLY/220VA
4	4025410.500	1.58	1.58	TUBING-MAYON RAW FT
5	4033704	5	5	CABLE TIE
6	4033712	4	4	CABLE TIE 7 3/8"
7	4050180	18	18	8-18 x 1/2 PHIL PH TEK
8	4050420	20	20	8-18 x 1/4 PHIL HWH TY
9	4060134	1	1	PLASTIC WIRE CLAMP 1"
10	4208565	10 FT	10 FT	DOUBLE SIDED TAPE .750/RE
11	4214818	1	1	EVAPORATOR DRAIN PAN
12	4214819	1	1	EVAPORATOR
13	4215110	1	-	EXPANSION VALVE / 110V
	4215110.001	-	1	EXPANSION VALVE / 220V
14	4215113.000330	1	1	EVAPORATOR DRAIN PAN HOLDER
15	4215798.000330	1	1	AIR BAFFLE FRONT
16	4218654	1	1	REFER MODULE GASKET
17	4218654.001	1	1	REFER MODULE GASKET
18	4221295	1	-	FAN MOTOR 115 VAC
	4221295.001	-	1	FAN MOTOR 220 VAC
19	4221593	1	1	FAN MOUNT
20	4221596.000330	1	1	EVAPORATOR MOUNT
21	4221597.000330	1	1	EVAPORATOR AIR DUCT
22	4221649	1	1	AIR DUCT INSULATOR
23	4221649.001	2	2	AIR DUCT INSULATOR
24	8800833	2	-	10-32X1/2 PHL TH W/ET
	8800406	-	2	10-32X1/2 PHL TH W/E
25	8324099.4	1	1	CLAMP - 3/8 X 3/8
26	7332492.000	-	1	DECAL WARNG WARRANTY
27	4205507.336	-	1	REFER SERIAL LABEL

**LIST OF PARTS NOT SHOWN**

28	R .3994	AR	AR	SEAL – MASTIC PERMAGUM
29	4201709	-	AR	SOLDER SAFE SIL15%
30	4205470	-	1	R-134A REFRIGERANT
31	4206366.005	AR	AR	INSULATION TUBING 52"
32	4212649	AR	AR	ALUM TAPE 2" 50 YD ROLL
33	4212649.002	-	AR	ALUMINUM TAPE 4"
34	4212656	AR	AR	5/8 ID INSULATION TUBE W/SLIT
35	4214348	1	1	REFRIGERATION SYSTEM HARNESS
36	4218268	1	1	CORK TAPE
37	4218462	-	AR	BRAZE 560 FLUX CORE
38	4221431	1	1	EVAPORATOR FAN EXTENSION HARNESS
39	4025735.900	-	AR	TRIM-LOK BLACK
40	4222270	-	1	EVAP FAN HARNESS

## REFRIGERATION BASE ASSEMBLY (110V & 220V)



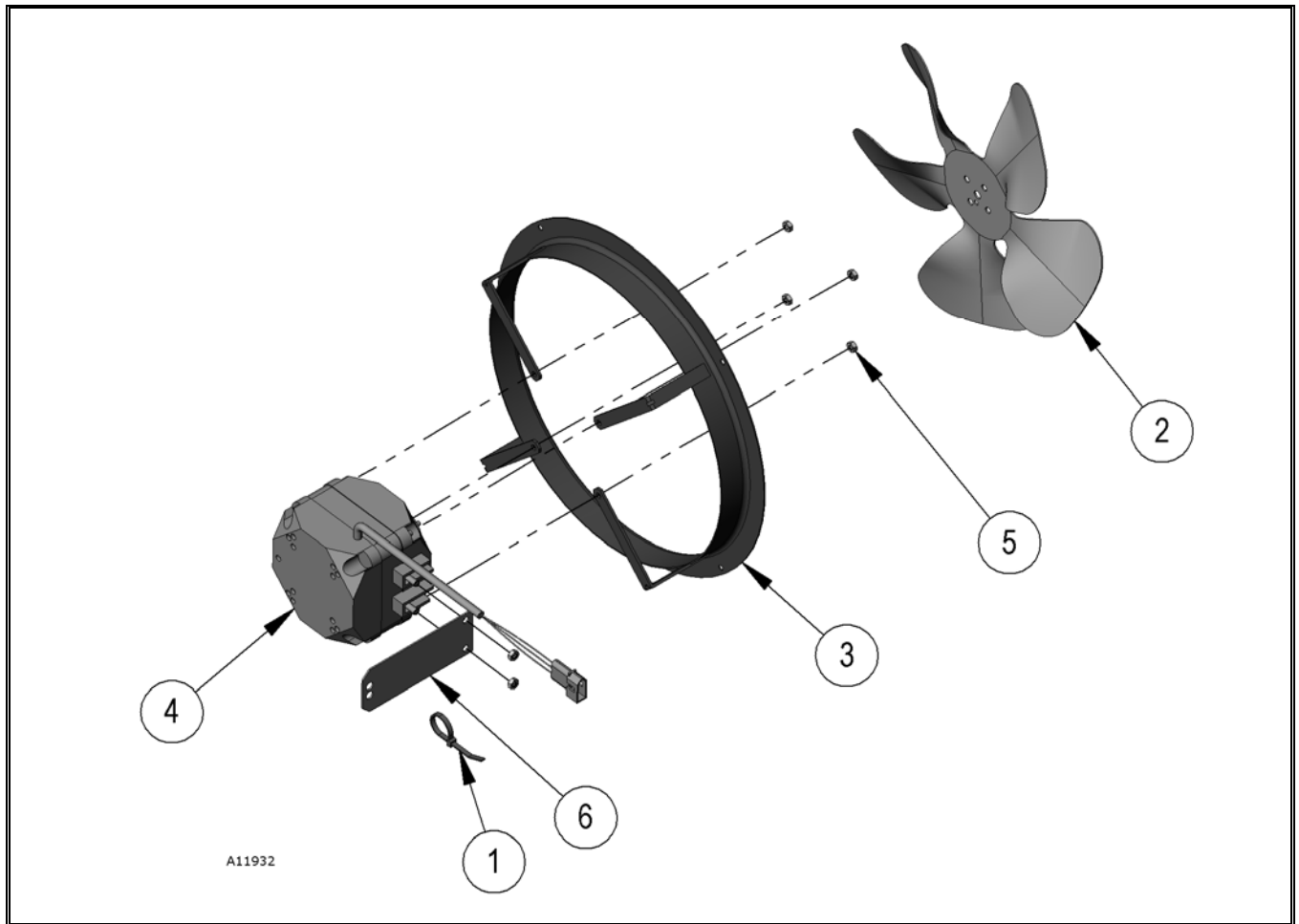
**REFRIGERATION BASE ASSEMBLY (110V & 220V) PARTS LIST**

ITEM NO.	PART NUMBER	3565 / 3666 / 3567 / 3668 (110V)	3565A / 3666A / 3567A / 3668A (220V)	DESCRIPTION
-	1218869	1	-	REFER BASE ASSEMBLY / 120 VAC
-	1218869.001	-	1	REFER BASE ASSEMBLY / 220 VAC
1	1216651	1	1	CONDENSER 1/3 HP
2	1216968	1	1	EVAPORATE CARD WELD
3	4050608	8	8	1/2 FLAT WASHER-ZINC
4	4050773.001	4	4	#17 HITCH PIN "CLOSED"
5	4205468.003	1	1	DRIER BONDED CORE
6	4214735	12	12	EVAPORATE CARD
7	4215044	1	1	CONDENSOR TO DRIER
8	4215045	1	1	PROCESS TUBE
9	4215046	1	1	COMPRESSOR TO CONDENSOR
10	4215047	1	1	COMPRESSOR DISCHARGE
11	4215048	1	1	SUCTION LINE TO COMPRESSOR
12	4215256	1	1	DRAIN PAN W/SPOUT
13	4221445	1	-	COMPRESSOR FFU130HAX 115V
	4221445.001	-	1	COMPRESSOR FFU130HAX 220V
14	4221567.001	1	1	REFER BASE
15	7200623.000	1	1	DRAIN PAN
16	8800956	7	7	6-32 HEX NUT W/ETW

**LIST OF PARTS NOT SHOWN**

17	R.4791	AR	AR	CU TUBING 1/2 X .032
18	4216098	1	1	1/4" LIQUID LINE

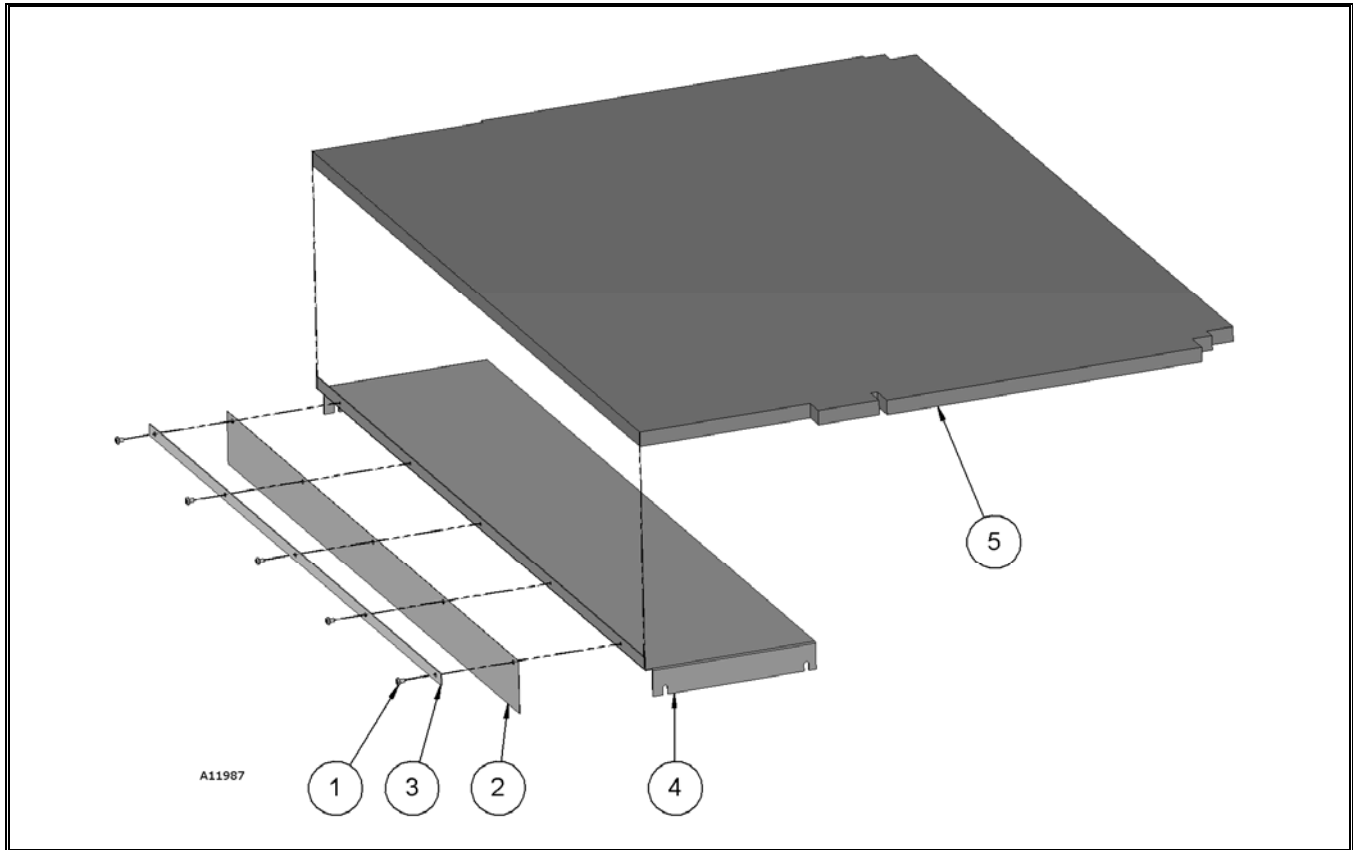
## CONDENSER FAN ASSEMBLY



### CONDENSER FAN ASSEMBLY PARTS LIST

ITEM NO.	PART NUMBER	3565/ 3565A	3566/ 3566A	3567/ 3567A	3568/ 3568A	DESCRIPTION
1	4033704	1	1	1	1	CABLE TIE 5.6
2	4214313	1	1	1	1	BLADE
3	4214778.001	1	1	1	1	CONDENSOR FAN VENTURI RING
4	4221296.002	1	1	1	1	H.E. CONDENSOR FAN MOTOR / 110VAC
	4214798.001	1	1	1	1	CONDENSOR FAN MOTOR 16W / 220VAC
5	4215271	6	6	6	6	M4 X .7 HEX LOCK NUT
6	4215366	1	1	1	1	CONDENSOR FAN CABLE MOUNT

## BARRIER ASSEMBLY



### BARRIER ASSEMBLY PARTS LIST

ITEM NO.	PART NUMBER	3566/ 3566A	3568/ 3568A	DESCRIPTION
-	1217701	1	-	BARRIER ASSY / 5W (INCLUDES ITEM 1,2,3 & 4)
-	1218067	-	1	BARRIER ASSY / 3W (INCLUDES ITEM 1,2,3 & 4)
1	4201942	5	5	6-20X3/16 PHL PH TYP-B
2	4215056	1	-	AIR GAP CURTAIN / 5W
	4215055	-	1	AIR GAP CURTAIN / 3W
3	4215058	1	-	CURTAIN RETAINER PLATE / 5W
	4215057	-	1	CURTAIN RETAINER PLATE / 3W
4	4217390	1	-	FRONT BARRIER BRACE (5W)
	4218875	-	1	FRONT BARRIER BRACE (3W)
5	4217391	1	-	INSULATING BARRIER / 5W
	4218876	-	1	INSULATING BARRIER / 3W

## OPTIONAL SPIRALS

SINGLE SPIRAL - CCW PART NUMBER	DUAL SPIRAL - CW PART NUMBER	SPIRAL SIZE	SPIRAL COUNT	ESTIMATED PRODUCT SIZE INCHES (MM)
4200272.100309	4205532.100309	Candy	15	1.22 (31)
4200272.101309	4205532.101309	Candy	18	1.00 (25)
4200272.102309	4205532.102309	Candy	24	0.71 (18)
4200272.103309	4205532.103309	Candy	30	0.51 (13)
4200272.104309	4205532.104309	Candy	12	1.55 (39)
4200272.105309	4205532.105309	Candy	9	2.10 (53)
4200272.106309	4205532.106309	Candy	6	3.16 (80)
4200272.107309		Snack	10	1.89 (48)
4200272.108309		Snack	12	1.55 (39)
4200272.109309		Snack	15	1.22 (31)
4200272.110309		Snack	7	2.71 (69)
4200272.111309		Snack	8	2.37 (60)
4200272.131309	4205532.131309	Candy	10	1.89 (48)
4200272.132309	4205532.132309	Candy	11	1.72 (44)
4200272.133309		Snack	30	0.51 (13)
4200272.134309	4205532.134309	Snack	18	1.00 (25)
4200272.137309		Snack	11	1.72 (44)
4200272.138309		Snack	6	3.16 (80)
4200272.139309		Snack	5	3.50 (89)
4200272.140309		Snack	12	1.63 (41)
4200272.141309		Candy	29 1/2	0.52 (13)
4200272.142309	4205532.142309	Candy	8	2.37 (60)
4200272.145309	4205532.145309	Candy	5	3.50 (89)
4200272.147309	4205532.147309	Candy	4	4.38 (111)
4200272.148309	4205532.148309	Candy	3	5.80 (147)
4202313.100309		G&M	18/36	1.00 (25)
4202313.102309		G&M	24/48	0.71 (18)
4202313.103309		HiCap	30/60	0.50 (13)
4202313.104309		HiCap	24/48	0.71 (18)
4202313.105309		HiCap	18/36	1.00 (25)
4202313.106309		HiCap	15/30	1.22 (31)
4202313.107309		G&M	20/40	0.86 (22)
4202313.108309		HiCap	12/24	1.55 (39)

## OPTIONAL PRICE SCROLLS

PRICE SCROLL PART NUMBER	SCROLL PRICE RANGE	COUNTRY
4217475.001	FREE AND .40 TO 2.35 (.05 INCREMENTS)	USA
4217475.002	1.5 TO 21.5 (.50 INCREMENTS)	MEXICO
4217475.003	.25 TO 10.25 (.25 INCREMENTS)	USA
4217475.004	1000 TO 3000 (50 INCREMENTS)	VENEZUELA
4217475.005	3000 TO 5000 (50 INCREMENTS)	VENEZUELA
4217475.006	FREE AND 2.40 TO 6.30 (10 INCREMENTS)	AUSTRALIA
421775.007	1.80 TO 3.00 (.05 INCREMENTS) 3.00 TO 4.60 (.10 INCREMENTS)	USA



## NOTES

*The contents of this publication are presented for informational purposes only, and while every effort has been made to ensure their accuracy, they are not to be construed as warranties or guarantees, express or implied, regarding the products or services described herein or their use or applicability. We reserve the right to modify or improve the designs or specifications of such products at any time without notice.*



**VendNet™**

8040 University Boulevard  
Des Moines, IOWA 50235  
United States of America



	USA & Canada	International
Service	<b>(800) 833-4411</b>	<b>(515) 274-3641</b>
Parts	<b>(888) 259-9965</b>	
Email	<b>vendnet@vendnetusa.com</b>	
Web Site	<b>www.vendnetusa.com</b>	