

Coca-Cola

Parts Manual

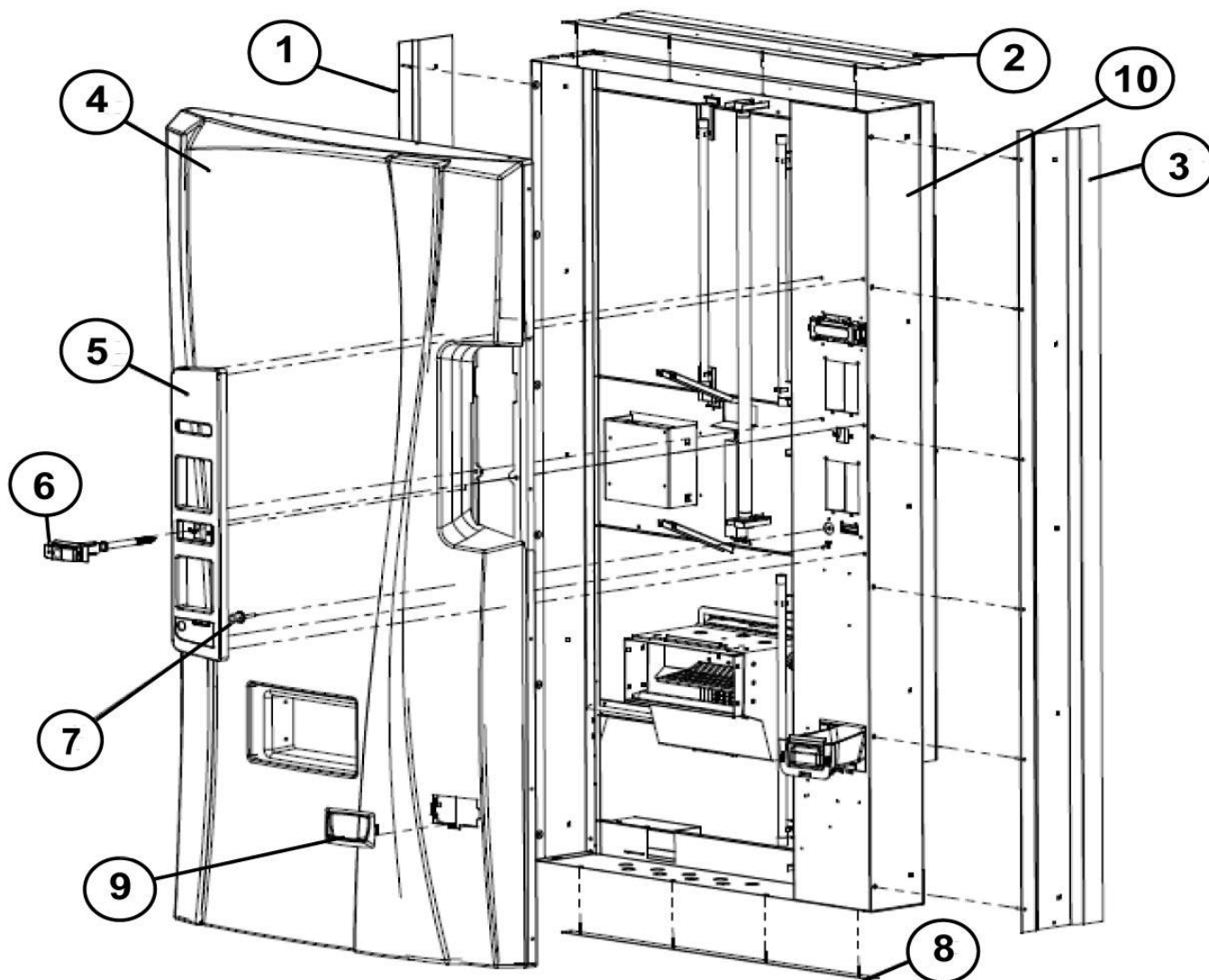
Dixie-Narco - DN-CB 640/448 3DVIS

CRANE **MERCHANDISING SYSTEMS**
A Crane Co. Company



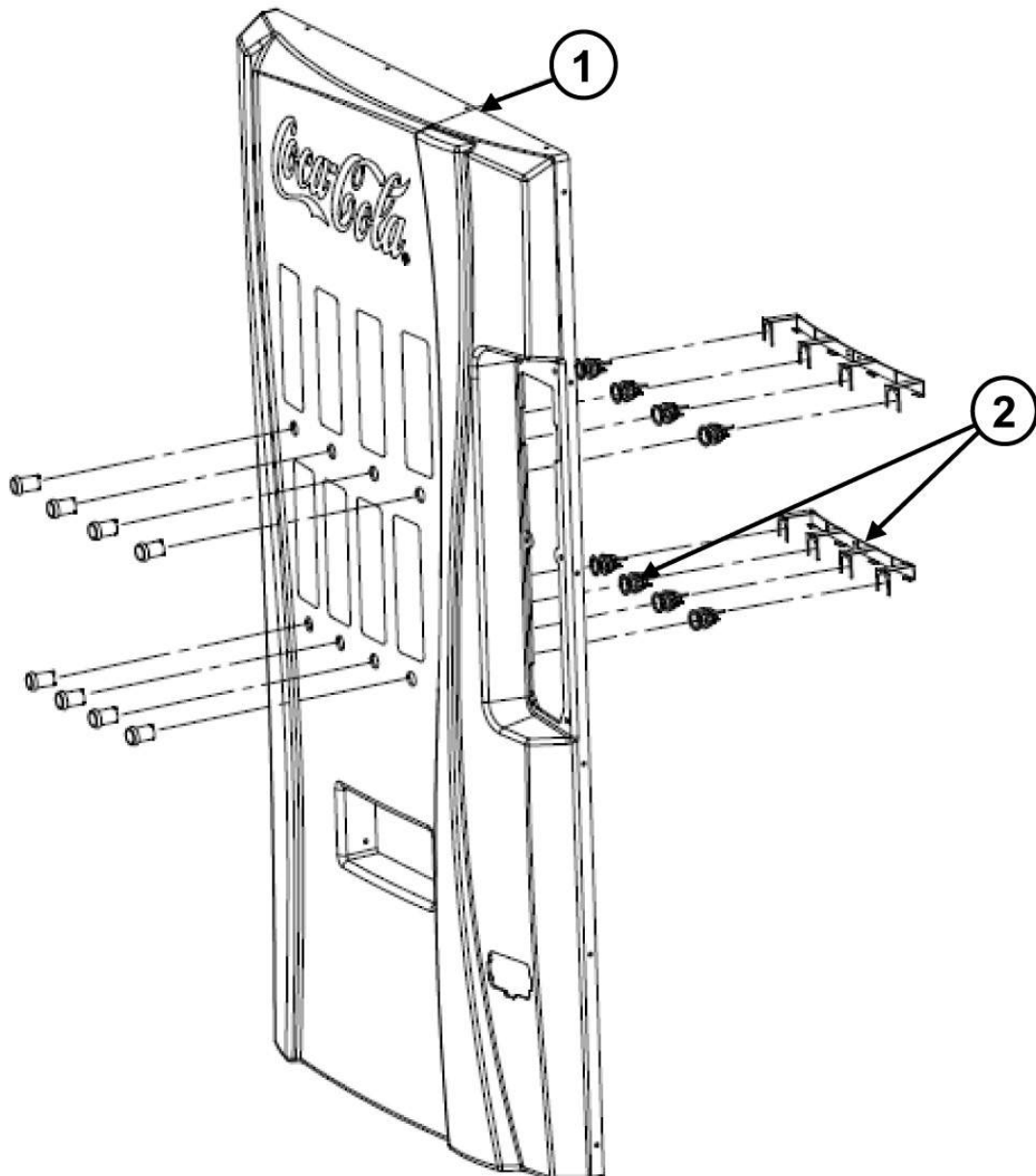
DNCB 640/448 3DVIS

MAIN DOOR EXTERIOR



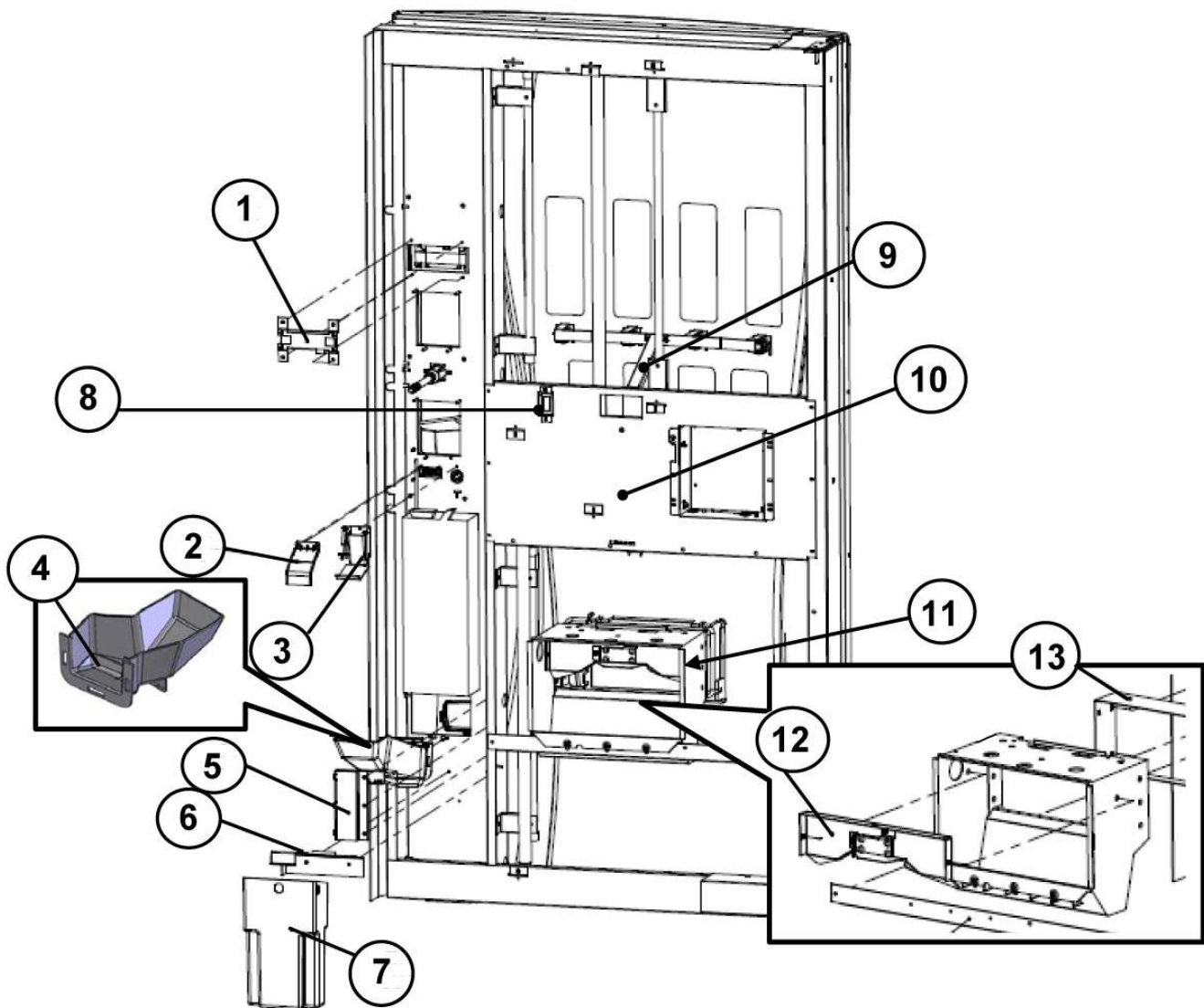
Item No.	CCP Part#	Mfg. Part#	CONA Material#	Description
NR	149744	381507	150078379	STOP,BOTTLE,3D VIS
1		CR0007951	150078379	Assy, Vandal, Sign Retainer Left
2		CR0009328	150078379	Assy, Vandal, Sign Retainer Top (DN CB 448)
2.1		CR0007953	150078379	Assy, Vandal, Sign Retainer Top (DN CB 640)
3		CR0007954	150078379	Assy, Vandal, Sign Retainer Right
4		CR0009348	150078379	Assy, Skin, Coke (DN CB 448)
4.1		CR0008231	150078379	Assy, Skin, Coke (DN CB 640)
5		CR0008157	150078379	Bezel, Insert, Coin
5.1	145771	101353	150063991	BEZEL,CHANGE CUP,CVS
6		CR0009975	150063991	Assy, T-Handle
7		CR0009308	150063991	Assy, Coin Return Button
8		CR0009327	150063991	Assy, Vandal, Sign Retainer Bottom (DN CB 448)
8.1		CR0007955	150063991	Assy, Vandal, Sign Retainer Bottom (DN CB 640)
9	145771	101353	150063991	BEZEL,CHANGE CUP,CVS
10		CR0009331	150063991	Assy, Frame, Door (DN CB 448)
10.1		CR0007520	150063991	Assy, Frame, Door (DN CB 640)

DOOR SKIN & BUTTONS



Item No.	CCP Part#	Mfg. Part#	CONA Material#	Description
1		CR0009348	150063991	Skin Coke (DN CB 448)
1.1	146643	CR0007650	150067233	SKIN, DOOR COKE WIDE, CVS
2	143155	115436	150054379	BRACKET, ASSY, SEL BUTTON, NRW CVS
2.1		CR0009559	150054379	Kit, Select Buttons, Coke (DN CB 640)
2.2		CR0010550	150054379	Button, Select Insert
2.3		80170165	150054379	Spring, Select Button
2.4		CR0010549	150054379	Housing, Select Button
2.5		80182285	150054379	Washer, Select Button
2.6		80182286	150054379	Nut, Select Button
2.7		80182421	150054379	Holder, Select Switch
2.8	501235	101193	150009838	SWITCH SELECTION SII

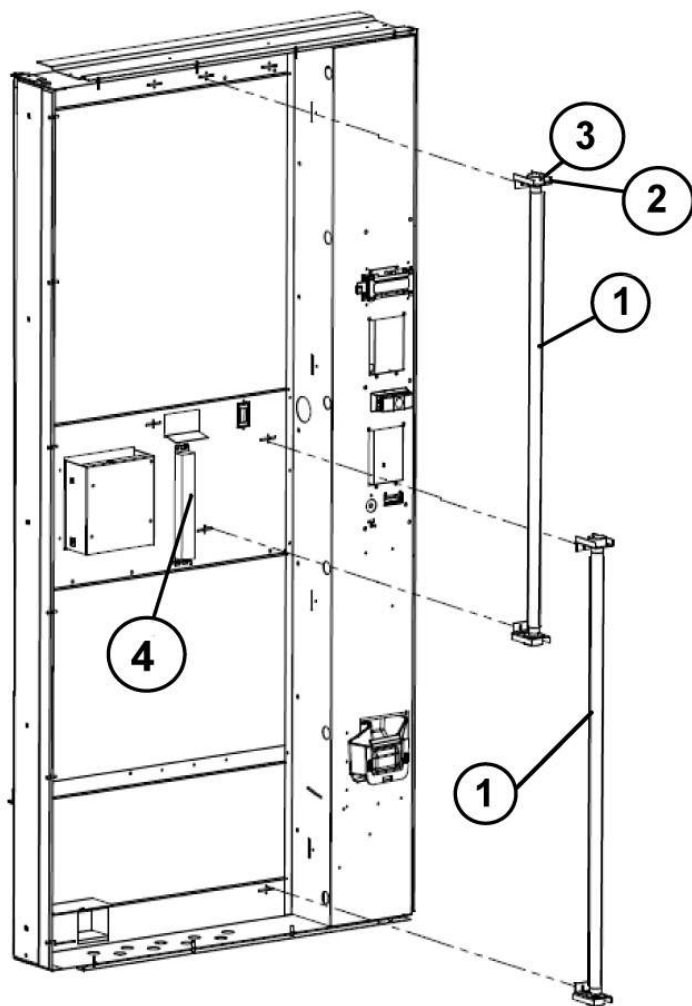
MAIN DOOR INTERIOR



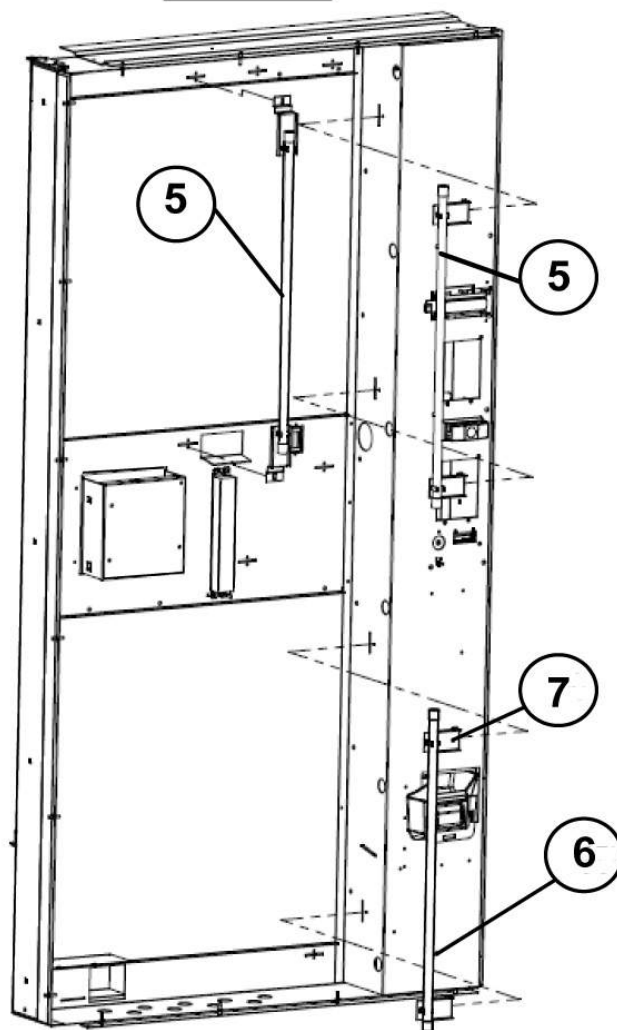
Item No.	CCP Part#	Mfg. Part#	CONA Material#	Description
1		CR0008534	150009838	Assy, Display
2	139380	101408	150035463	CHUTE, COIN, ASSY, CVS
3		CR0008399	150035463	Assy, Coin Return
4		CR0008426	150035463	Cup, Change
5		CR0008390	150035463	Assy, Coin Chute Lower (to cash box)
6		CR0009957	150035463	Shelf, Cash and Latch
7		1671090	150035463	Coin Box
8	1066622	60405128		BRACKET DOOR SWITCH V4
9		CR0009743		Brace, Sign (DN CB 448)
9.1		CR0009742		Brace, Sign (DN CB 640)
10		CR0007949		Assy, Ballast Stiffener (DN CB 640)
11	520182	101484	150005559	CHUTE WIDE LARGE PORT E MODEL
12		CR0009940	150005559	Closure Strip w/ Proximity
13		CR0010150	150005559	Assy, Extension, Port

LIGHTING COMPONENTS

T8 FLUORESCENT

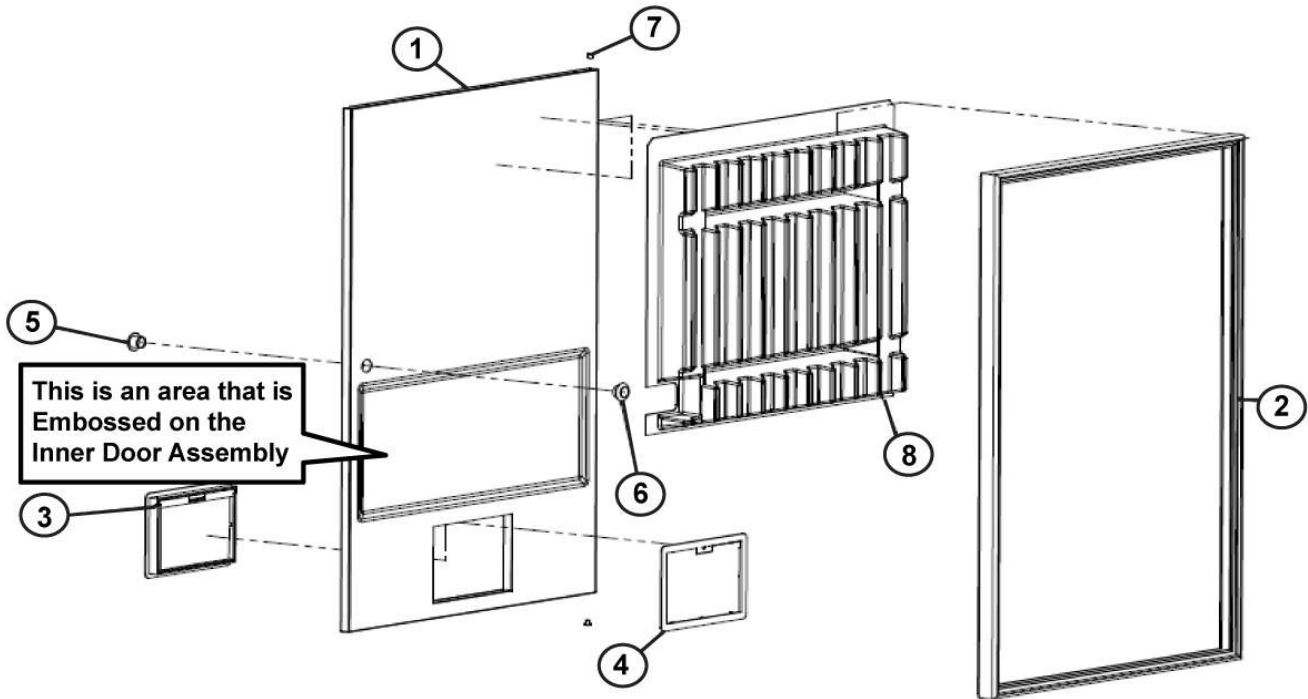


LED



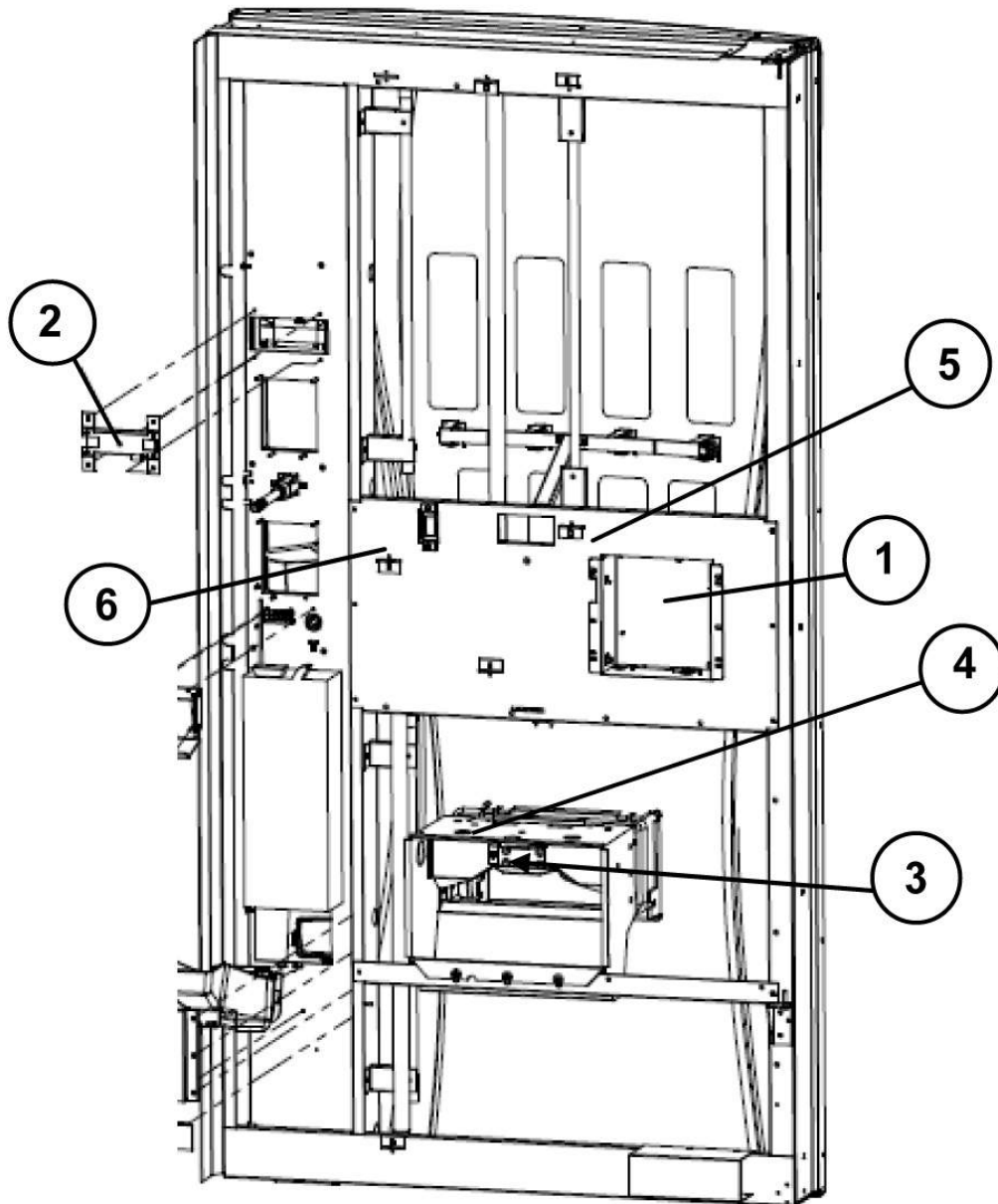
Item No.	CCP Part#	Mfg. Part#	CONA Material#	Description
1		80470104	150005559	Lamp, T8 F25 36" Fluorescent
2		56205004	150005559	Bracket, Lamp Socket
3	105371	102439	150026661	HOLDER,TOP LAMP SOCKET,T8
4	124785	102401	150017381	BALLAST,2LMP T8 ELEC ADV,120V W/JST
5		80492940	150017381	Harness, Lighting 2 bulb T8
6	132540	102443	150012069	LAMP,ASSY,BV4,LED30,600MM
7		CR0009737	150012069	Bracket, Mounting LED

INNER DOOR ASSEMBLY



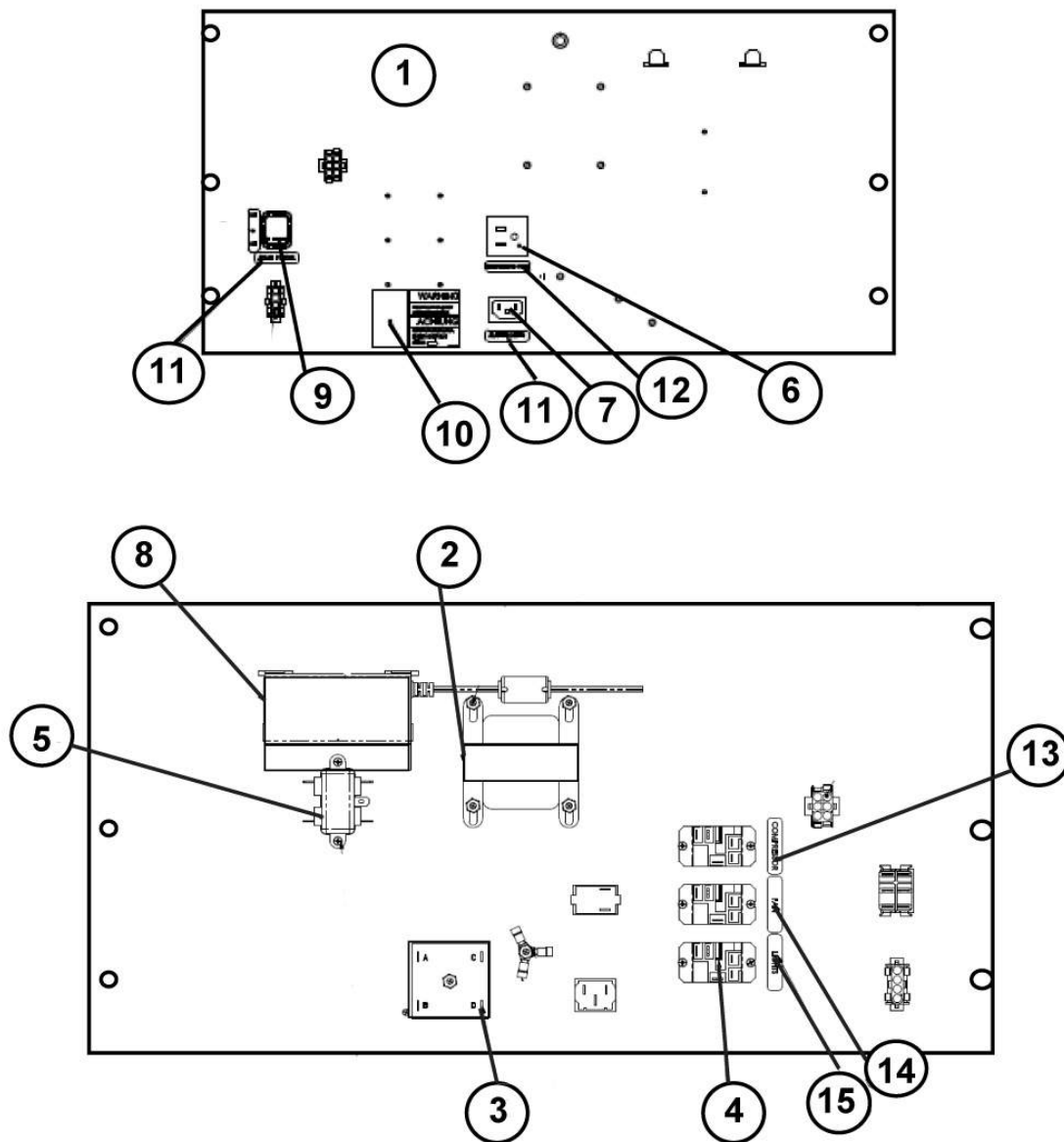
Item No.	CCP Part#	Mfg. Part#	CONA Material#	Description
1		CR0009354	150012069	Assembly Inner Door (DNCB 448)
1.1		CR0008175	150012069	Assembly Inner Door (DNCB 640)
1.2	540407	104905	150004739	HINGE TOP INNER DOOR
1.3	500687	104904	150009968	HINGE BOTTOM INNER DOOR
2	959029	102723	150003019	GASKET DOOR 72
2.1	500798	102724	150009946	GASKET INNER DOOR DN360
3	513563	101434	150007312	FRAME DISCHARGE ASSY E MODELS
4	513564	103014	150007311	RETAINER,PORT, 501E/600E
5	545025	777808	150003843	BUSHING INNER DOOR
6	540082	777809	150004766	RETAINER BUSHING
7	500904	100006	150009915	NYLINER,COVEYOR,CGF
8		CR0009360	150009915	Gate, Front (DNCB 448)
8.1		CR0008209	150009915	Gate, Front (DNCB 640)

ELECTRONIC COMPONENTS



Item No.	CCP Part#	Mfg. Part#	CONA Material#	Description
NR	132747	400-0049	150011912	KIT,RETROFIT,EMS75VR,120V,DN 27E
1		64001000023	150011912	Controller SBC
1.1		80491977	150011912	Eprom (771.01 initial release)
2		CR0008534	150011912	Display
3		CR0009939	150011912	Proximity Sensor
4	129343	101158	150014220	SENSOR,ASSY,VEND,W/PSOC PEG
5		80492514031	150014220	Transformer Domestic
5.1		80492868	150014220	Transformer Export
6	501234	80410077041	150009839	SWITCH

POWER DISTRIBUTION PANEL

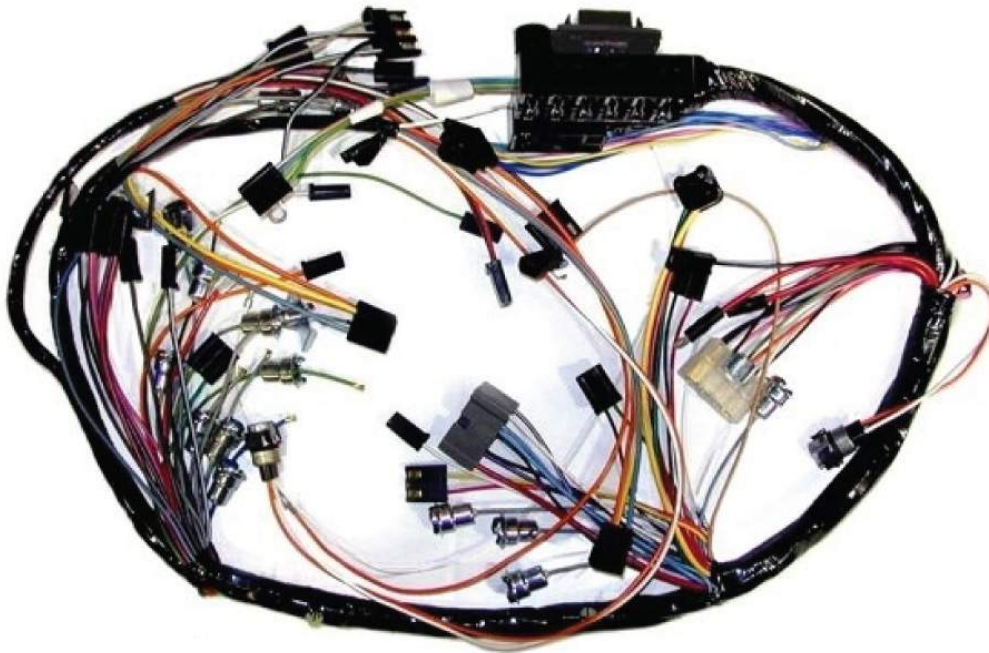


Item No.	CCP Part#	Mfg. Part#	CONA Material#	Description
1		CR0008503	150009839	Assy, AC Panel Fluorescent T8
1.1		CR0010930	150009839	Assy, AC Panel LED Domestic
1.2		CR0009060	150009839	Assy, AC Panel LED Export
2		80492514031	150009839	Transformer Domestic
2.1		80492868	150009839	Transformer Export
3	115530	100699	150022633	CHOKE,R,CAP & MOV,120V,DN5000
3.1		80492691	150022633	Choke, CAP & MOV Export
4	958300	101145	150003327	RELAY
5		AP380303	150003327	Filter, Light (YK-T1 Series, LED only)
6	1068456	102941	150001328	OUTLET FUSE AC 15ON CGROUNDED
6.1		80491114001	150001328	Receptacle, Panel Mount Export
7	109177	102993	150024988	PLUG,POWER INLET,GFV B
8	131856	101133	150012521	TRANSFORMER,SWITCH MODE LINE,24VDC
9		CR0010393	150012521	Switch Rocker Domestic

POWER DISTRIBUTION PANEL

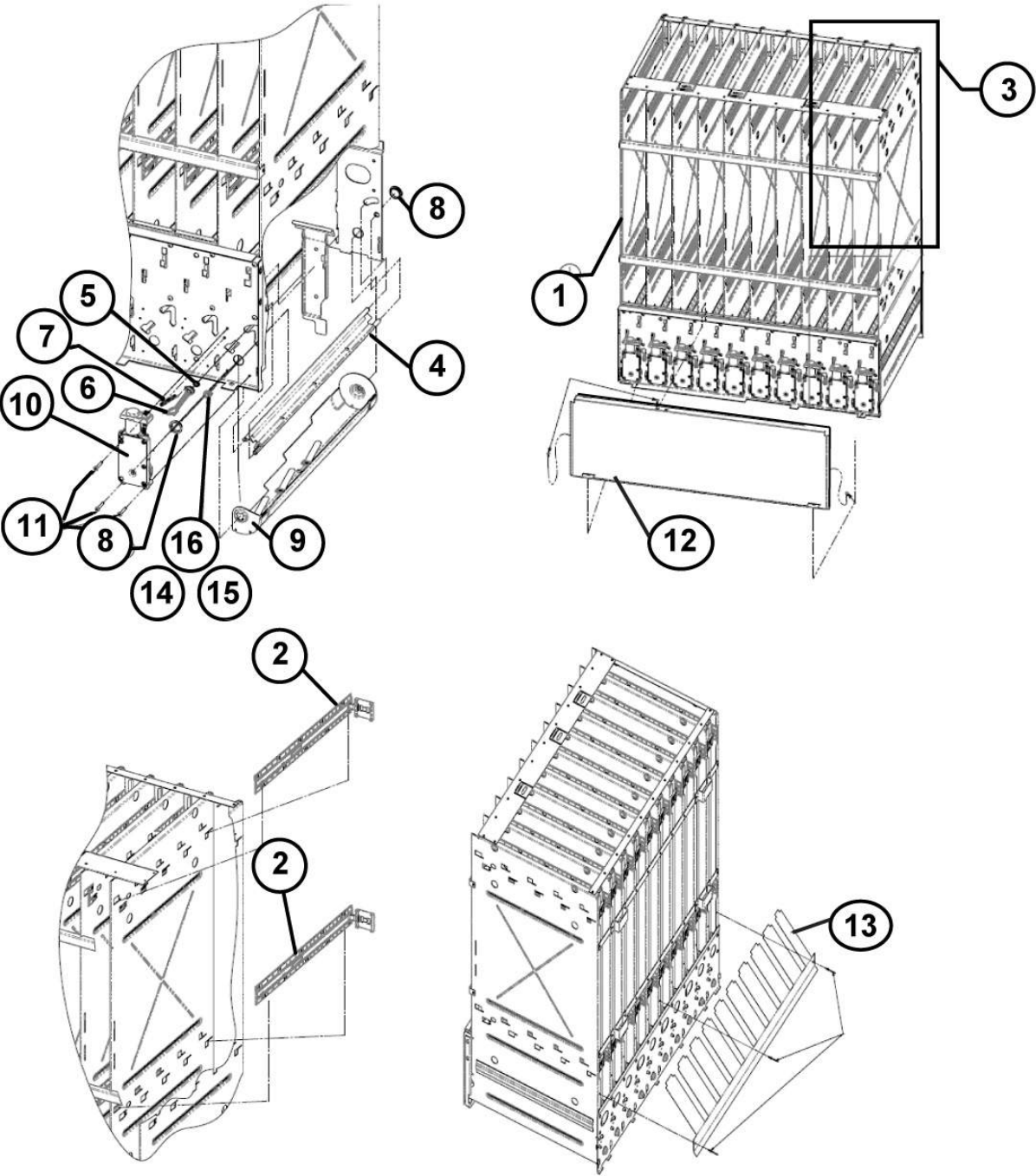
Item No.	CCP Part#	Mfg. Part#	CONA Material#	Description
9.1		80410112	150012521	Switch Rocker Export
10		80385869	150012521	Label, AC Box Power Dist
11		80386085	150012521	Label, Main Power
12		80386804	150012521	Label, Refrigeration Outlet
13		80386070	150012521	Label, Compressor Relay
14		80386069	150012521	Label, Fan Relay
15		80386068	150012521	Label, Light Relay

ELECTRICAL HARNESSES



Item No.	CCP Part#	Mfg. Part#	CONA Material#	Description
1		80492950	150012521	Harness, Motor Stack (DNCB 448)
1.1		80492941	150012521	Harness, Motor Stack (DNCB 640)
2		80492951	150012521	Harness, Door
3		80492946	150012521	Harness, MDB
4		80492380	150012521	Harness, Ext Light AC Box
5		80492949	150012521	Harness, Ext. Light AC Dist LED
6		80492943	150012521	Harness, AC Box Power Output T8
7		80492948	150012521	Harness, AC Box Power Output LED
8		80492942	150012521	Harness, AC Box Relay
9		80492944	150012521	Harness, AC Box Input Power
10		80492326	150012521	Harness, AC Distribution
11		80492952	150012521	Harness, Proximity Sensor
12		80492945	150012521	Harness, Display
13		80492940	150012521	Harness, Lighting 2 Bulb T8
14		80492768001	150012521	Harness, Select (DNCB 448)
14.1		80492764001	150012521	Harness, Select (DNCB 640)
15	113869	BE968311	150023265	CORD,POWER,W/IN LINE,GFCI (134") GFV BREAKAWAY HARNESS
16		80492455	150023265	Power Cord UK Export
17		80492747	150023265	Power Cord Australia, New Zealand
18		80492348	150023265	Power Cord Spain, La Froid, Norway
19	125794	101155	150016680	SENSOR,R,ENCAP TEMP

STACK AND VEND MECHANISM ASSEMBLY

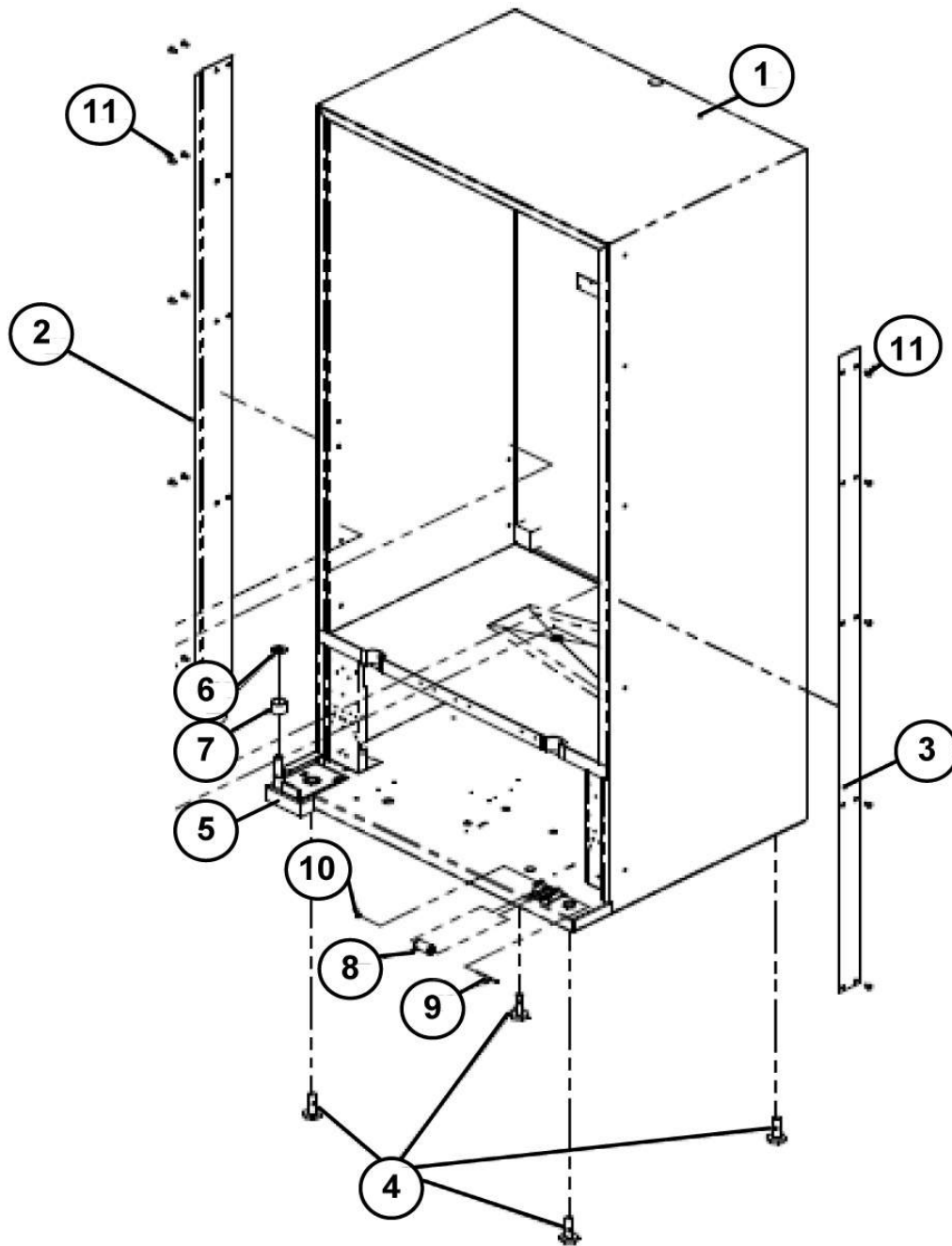


Item No.	CCP Part#	Mfg. Part#	CONA Material#	Description
NR		80387601	150016680	Label, Upper Refill
NR		80387603	150016680	Label, Lower Refill
NR	113741	63907014	150023347	EXTENSION, FRONT GATE NARROW
1		CR0009663	150023347	S/A Stack (DNCB 448)
1.1		CR0008292	150023347	S/A Stack (DNCB 640)
2		CR0008511	150023347	Assy, Rear Spacer
3		CR0008510	150023347	Spacer, Rear
4	113732	102916	150023355	BAR, LOAD STEEL
5	113734	102937	150023353	NYLINER, .312
6	113740	101682	150023348	ARM, PUSH

STACK AND VEND MECHANISM ASSEMBLY

Item No.	CCP Part#	Mfg. Part#	CONA Material#	Description
7	113743	100407	150023345	SPRING, PUSH ARM
8	113708	102936	150023368	NYLINER, .750
9	113733	101828	150023354	ROTOR, VEND NARROW COLUMN
10	113742	101068	150023346	MOTOR, VEND ASSY NARROW ELECTRONIC
11		80030492	150023346	Screw, 8-32 x 1" Phil Pan Type W Zinc
12		64007054	150023346	Cover, Vend Motor Wide (DN CB 448)
12.1		63907075	150023346	Cover, Vend Motor Wide (DN CB 640)
13		63907068	150023346	Baffle, Air (DN CB 640)
14	116132	100229	150022322	RIVET,R,1/8 STEEL ZINC PLT B
15	506275	100266	150008770	SCREW,#8-32X3/8 PHLPAN,TYPE1 B
16	113735	100040	150023352	BUSHING, .312 LOAD BAR

CABINET DETAILS

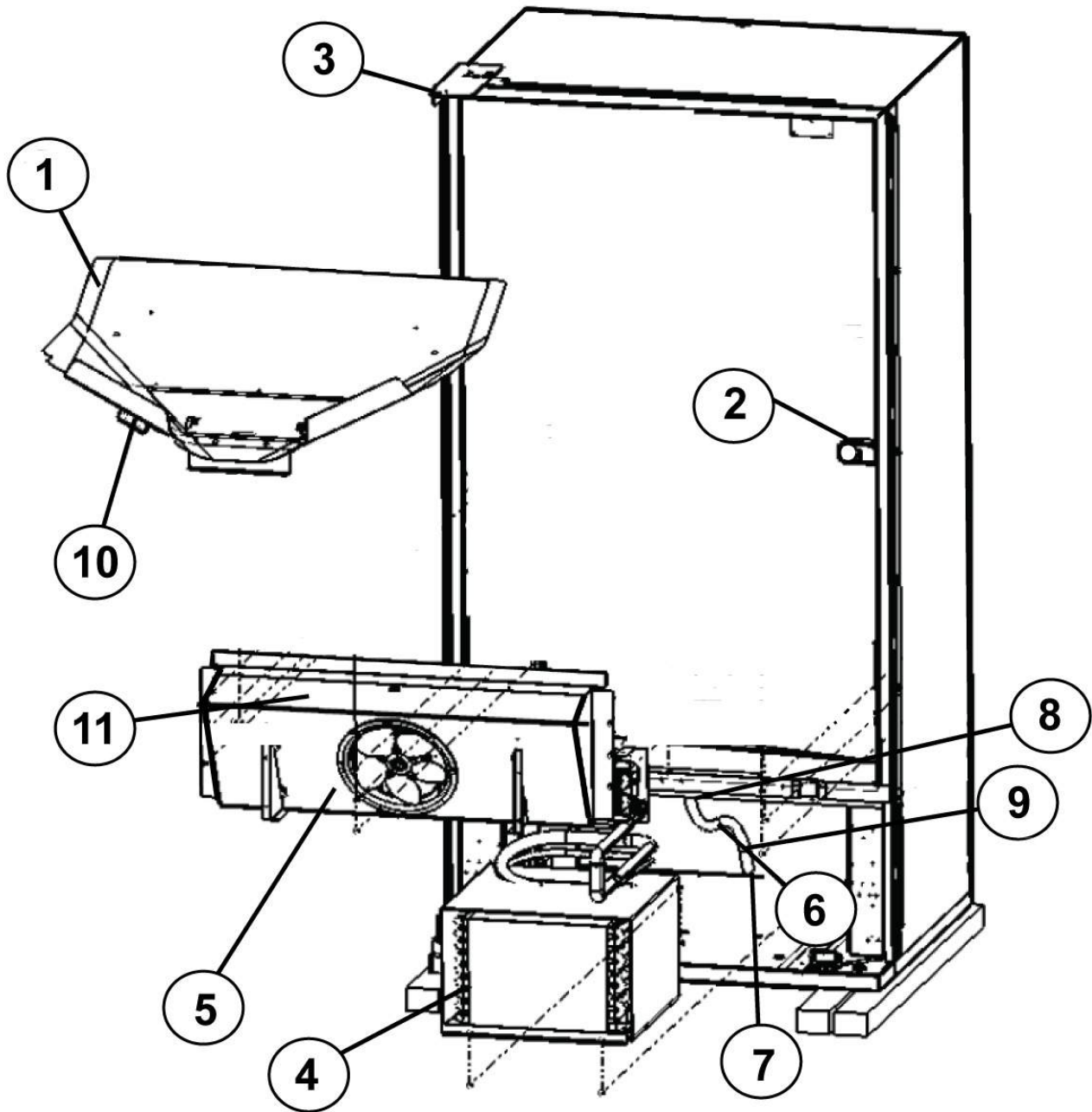


Item No.	CCP Part#	Mfg. Part#	CONA Material#	Description
NR	132747	400-0049	150011912	KIT,RETROFIT,EMS75VR,120V,DN 27E
1		CR0009658	150011912	Cabinet Assembly Narrow
1.1		CR0007841	150011912	Cabinet Assembly Wide
2		64900001	150011912	Plate, Protective Left
3		64900002	150011912	Plate, Protective Right
4	135324	101288	150034441	LEG,LEVELING, 5/8-11X2-1/16*B
5		80130507	150034441	Bottom Hinge
6		80070173	150034441	Washer, Bottom Hinge
7	507985	103046	150008450	SLEEVE HINGE DN
8	544446	103022	150003871	ROLLER DOOR MAIN
9	116548	100195	150022049	PIN,R,ROLLER,5/32 X 2-3/8 ZINC,B
10	500883	103016	150009922	RETAINER,ROLLER PIN

CABINET DETAILS

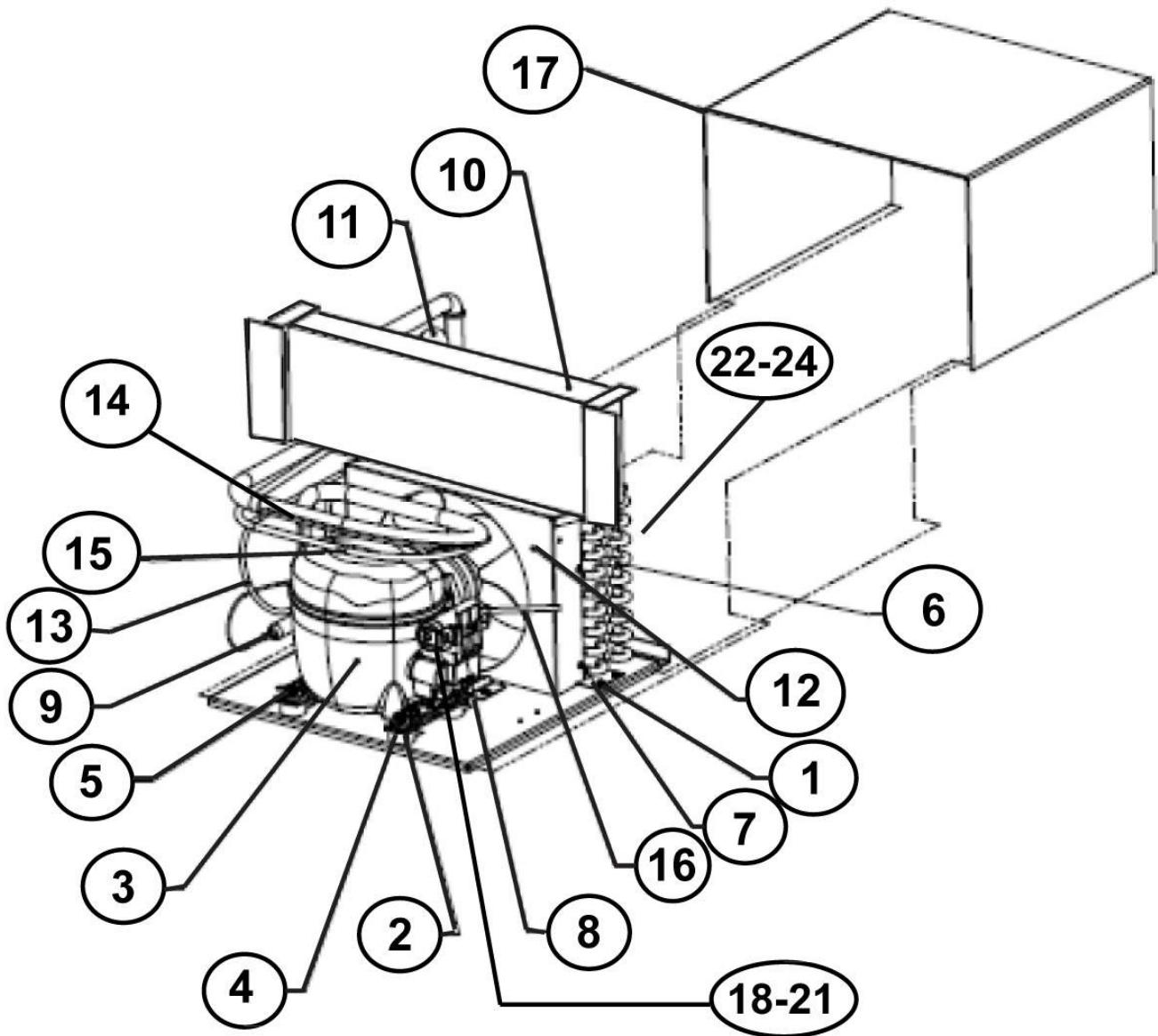
Item No.	CCP Part#	Mfg. Part#	CONA Material#	Description
11	509106	100232	150008216	RIVET BH 1/4IN ALUM.

CABINET DETAILS CONTINUED



Item No.	CCP Part#	Mfg. Part#	CONA Material#	Description
1		CR0009661	150008216	Assembly, Chute (DNCB 448)
1.1		CR0009054	150008216	Assembly, Chute (DNCB640)
2		CR0010140	150008216	Assembly, Retainer Nut Housing CVS
3	1066408	60905140023K	150002213	HINGE TOP MAIN DOOR DNCB
4		CR0008547	150002213	Refrigeration System
5	118361	101100	150021057	FAN, EVAPORATOR, A, R, EBM PAPST 1850RPM
5.1		65804030	150021057	Assy, Fan, Evaporator 220V/50Hz
6	541984	101645	150004376	HOSE, DRAIN, BLK, PVC, VENDER
7	503380	101608	150009359	TUBE DRAIN
8	503381	100147	150009358	NUT, DRAIN TUBE, 5/8
9	500889	80090327001	150009919	CLAMP, R, DRAIN HOSE, HC-12
10	129343	101158	150014220	SENSOR, ASSY, VEND, W/PSOC PEG
11		CR0009256	150014220	Panel, Evap Fan

REFRIGERATION SYSTEM

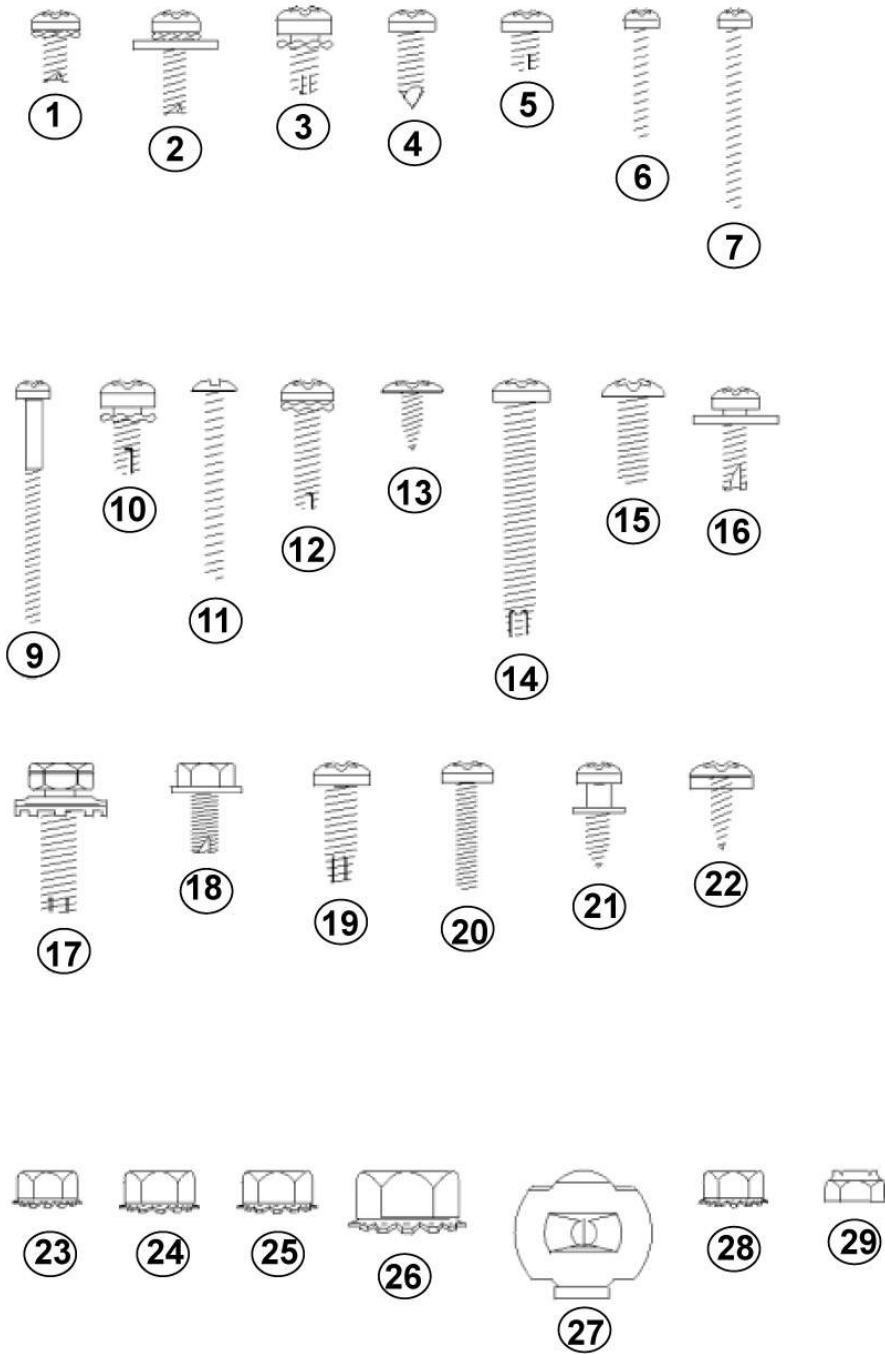


Item No.	CCP Part#	Mfg. Part#	CONA Material#	Description
1		CR0008547	150014220	Refrigeration System (Domestic)
1.1		65804020	150014220	Refrigeration System (Export)
2	504166	90200057	150009228	GROMMET COMPRESSOR
3	138727	101569	150035842	COMPRESSOR,115V 60HZ,R-134A,1/3HP
3.1		80250285	150035842	Compressor NEK6212Z 220V/50 (Export)
4	504165	90180391	150009229	PLUG COMPRESSOR GROMMET
5	504164	90090188	150009230	CLIP RETAINER COMPRESSOR
6		80260069	150009230	Condenser, 1.33 FPI
7	506275	100266	150008770	SCREW,#8-32X3/8 PHLPAN,TYPE1 B
8		CR0008557	150008770	Assy, Condenser Fan
9		80240129	150008770	Dryer, .054 Ext Outlet R134a
10	502446	101618	150009622	EVAPORATOR
11	519605	101548	150005774	ACCUMULATOR
12		CR0009254	150005774	Shroud, Condenser
13		64004004	150005774	Tube, Discharge

REFRIGERATION SYSTEM

Item No.	CCP Part#	Mfg. Part#	CONA Material#	Description
14		49104019	150005774	Adaptor, Tube Evap/Accumulator
15		64004000003	150005774	Heat Exchange
16		CR0006095	150005774	Process Tube
17		80190505	150005774	Duct, Hot
18		80240218001	150005774	Capacitor (Domestic)
18.1		80240169001	150005774	Capacitor (Export)
19		80240220	150005774	Cap, Capacitor (Domestic)
19.1		80240162	150005774	Cap, Capacitor (Export)
20	139392	101112	150035465	OVERLOAD,COMPRESSOR,FFU130HAX, 115V
20.1		80240172	150035465	Overload (Export)
21		80240216001	150035465	Relay (Domestic)
21.1		80240170001	150035465	Relay (Export)
22	545133	114554	150003811	PAN DRAIN W/SOAKER
23	543919	115533	150004026	PAN,DRAIN,W/PKG 2 SCREWS
24	144914	90580069	150059898	SOAKER,FIBERGLASS,CONDENSATE

MISCELLANEOUS FASTENERS

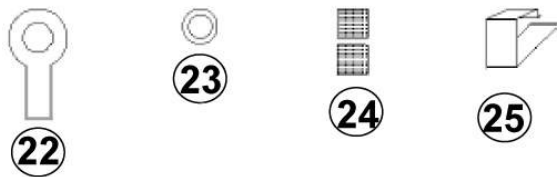
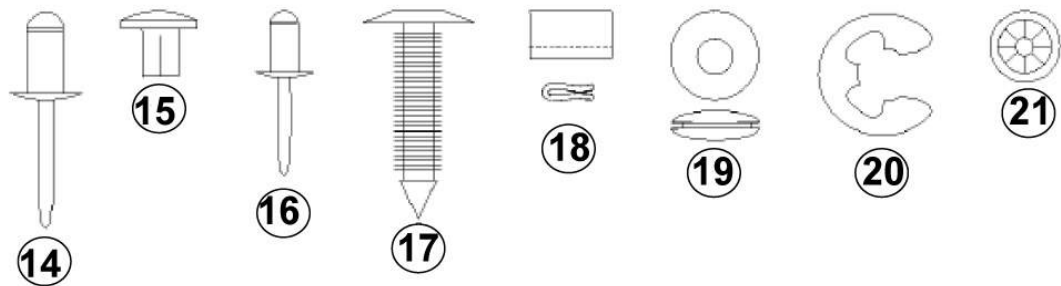
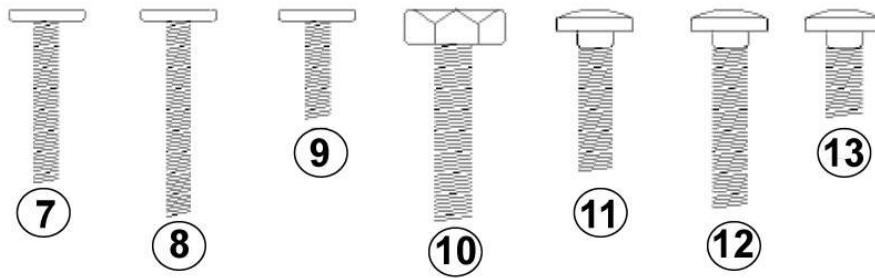
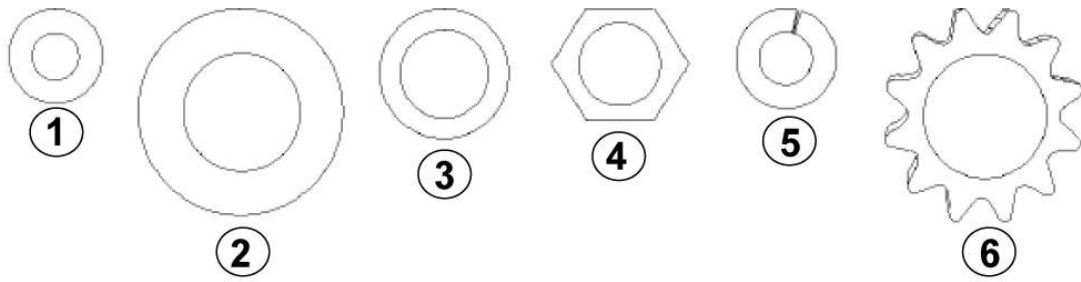


Item No.	CCP Part#	Mfg. Part#	CONA Material#	Description
1	545109	80030425001		SCREW SEMS
2		80030439		Screw, R, Phil Pan Swage Form w/washer #8 - 32 x 1/2"
3	509472	80030429001		SCREW
4	506021	80030418001		SCREW SFTP
5		80030434		Screw, R, Phil Pan Swage Form #8 - 32 x 1/4"
6	544381	80030450	150003885	SCREW PAN, 4-24 X 3/4
7	521442	100294	150005218	SCREW
8	504643	80030518	150009095	SCREW SHEET METAL
9	506275	100266	150008770	SCREW,#8-32X3/8 PHLPAN,TYPE1 B
10		80020264	150008770	Screw, R, Machine, #6 - 32 x 1 1/4"

MISCELLANEOUS FASTENERS

Item No.	CCP Part#	Mfg. Part#	CONA Material#	Description
11		80030434	150008770	Screw, R, Phil Pan Sems #8 - 32 x 1/4"
12		80030432	150008770	Screw, R, Phil Thread Form #8 - 32 x 5/8"
13	506274	90030016	150008771	SCREW SHEET METAL
14		80030428	150008771	Screw, R, Phil Pan Form #10 - 32 x 1 1/4"
15		80020252	150008771	Screw, R, Machine Truss, #10 - 32 x 1/2"
16	506277	80030423		SCREW SDRL
17	501322	80030436001		SCREW
18		80030424		Screw, R, Hex Head Swage Form #8 - 36 x 3/8"
19	500110	100271	150010121	SCREW TAPPING PHILLIPS PANHD
20		90020122	150010121	Screw, R, Machine Phil Pan #8 - 32 x 3/4"
21	1069677	80030506001		SCREW 18 X 1/2
22	504644	100316	150009094	SCREW,# 8 18 X 1/2 TRUSS TAP
23	506283	80080156001		NUT KEPS
24	500878	100156	150009924	NUT,KEPS,1/4 20IN
25	540791	80080154011		NUT KEPS
26		80080183		Hex Nut, R, Top Door Hinge, 3/8 - 16
27	507398	100185	150008620	NUT SPEED FAN MOTOR
28	540790	80080182001		NUT KEPS
29	134875	100154	150010476	NUT, R, ELASTIC STOP,#8-32

WASHERS, BOLTS, AND MISC. HARDWARE



Item No.	CCP Part#	Mfg. Part#	CONA Material#	Description
1	1066624	100503	150002149	WASHER NYLON .260ID X .6870OD
2		80070173	150002149	Washer, R, Door Hinge
3	506286	100497	150008766	WASHER, R, FLAT T-HNDL ASSY
4	543344	90150308		WASHER HEX T HANDLE
5		80070143		Lockwasher, R, Split 3/8"
6		90070089		Lockwasher, R, Shakeproof 5/8"
7		80040069		T-Bolt, R, #8 - 32 x 1.94
8		80040068		T-Bolt, R, #8 - 32 x 1 3/8"
9		80040061		T-Bolt, R, #8 - 32 x 3/4"
10	144343	80040059	150058625	BOLT,R,3/8-16X1 1/4,HEX HD B

WASHERS, BOLTS, AND MISC. HARDWARE

Item No.	CCP Part#	Mfg. Part#	CONA Material#	Description
11	540777	80020242011		BOLT CARRIAGE 1/4 20 X 1IN
12	542301	100020	150004311	BOLT,CARRIAGE,1/4-20 X 1-1/4
13		80020245	150004311	Carriage Bolt, R, 1/4 - 20 x 1/2"
14	509106	100232	150008216	RIVET BH 1/4IN ALUM.
15	506285	100233	150008767	RIVET DRIVE
16	502411	100235	150009635	RIVET
17	500888	500888	150009920	CLIP,FRONT PANEL,BLACK, 1 1/4 IN LONG, .308 DIA, (CHRISTMAS TREE)
18	500885	100080	150009921	CLIP,TINNERMAN,FAN SHROUD B
19	542357	100114	150004307	GROMMET
20	506287	100107	150008765	RING,E T HANDLE
21	500883	103016	150009922	RETAINER,ROLLER PIN
22		80460145	150009922	#6 Terminal Ring Crimp, R, 16-14 AWG
23	117415	100392	150021524	SPACER,R,.87 X .440 .093,NYLON B
24		80180912	150021524	Velcro Blocks, R
25	503941	100097	150009265	CLIP