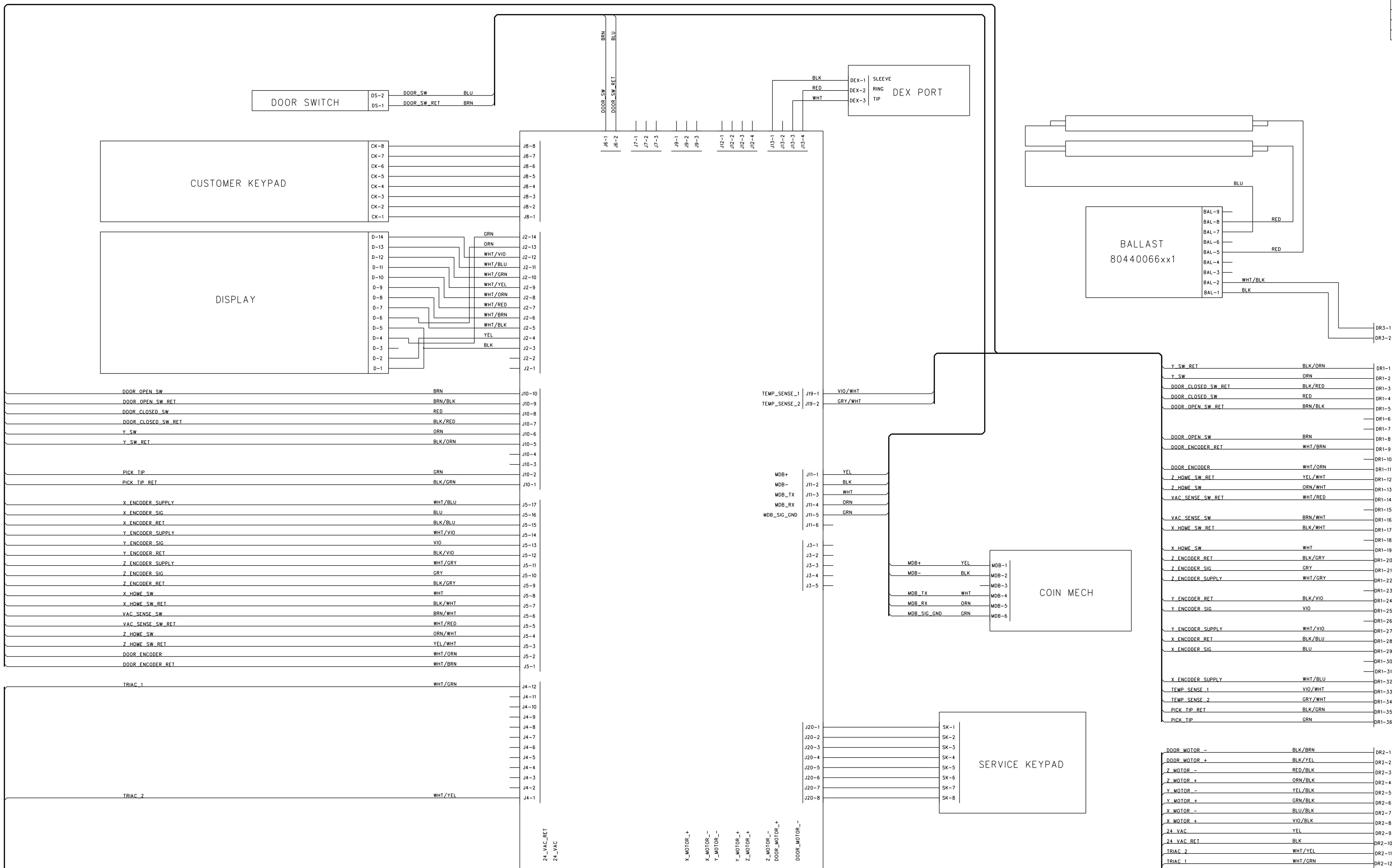


REVISION RECORD			
LTR	ECO NO.	APPROVED:	DATE:



COMPANY: Dixie - Narco Inc.			
TITLE: WIRING DIAGRAM FASTCORP IC & SNACK			
DRAWN: TRM	DATED: 03/30/04	CODE:	SIZE:
CHECKED:	DATED:	DRAWING NO: 17,410.05	REV:
QUALITY CONTROL:	DATED:	SCALE:	SHEET: 1 OF 2
RELEASED:	DATED:		

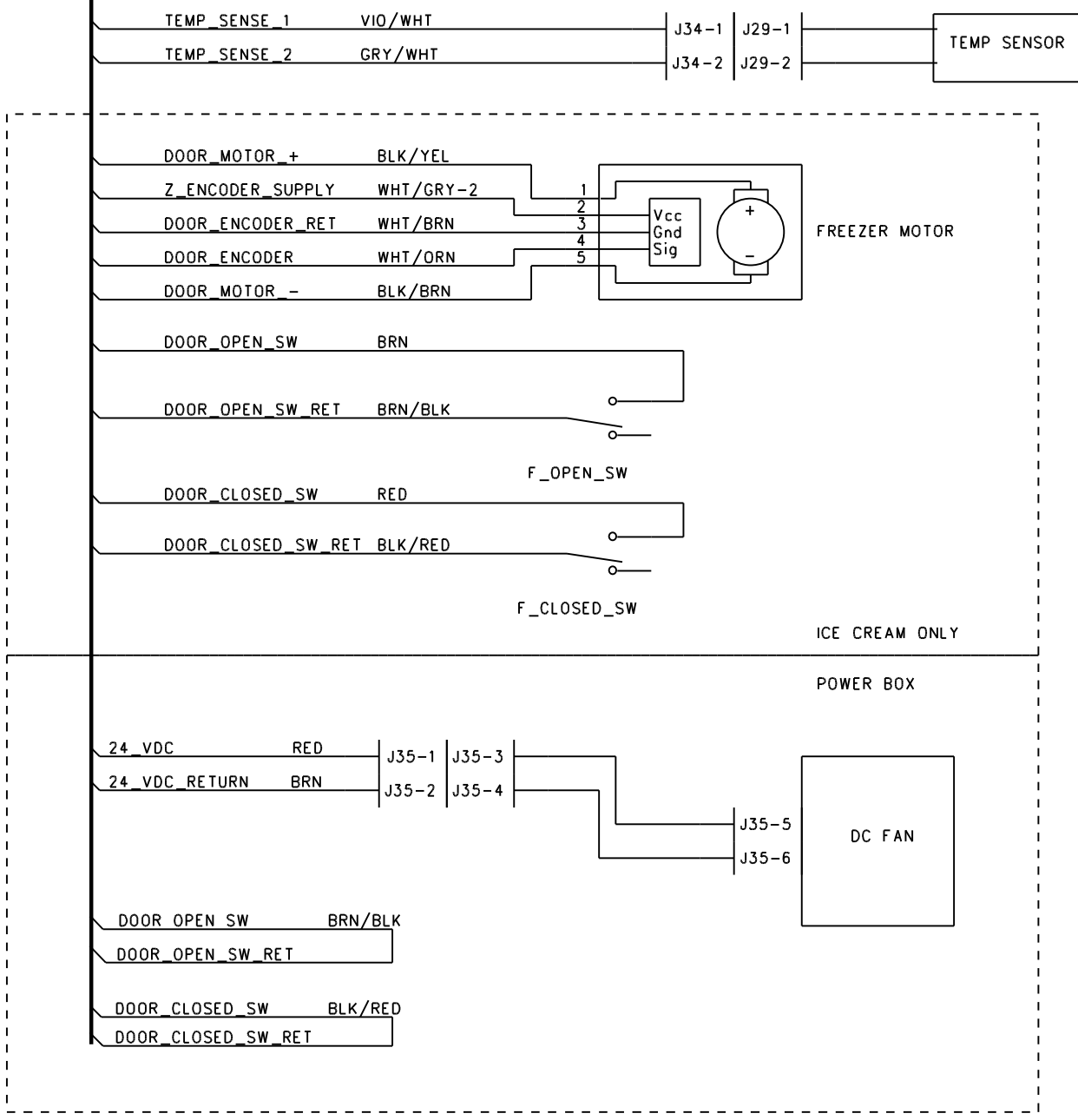
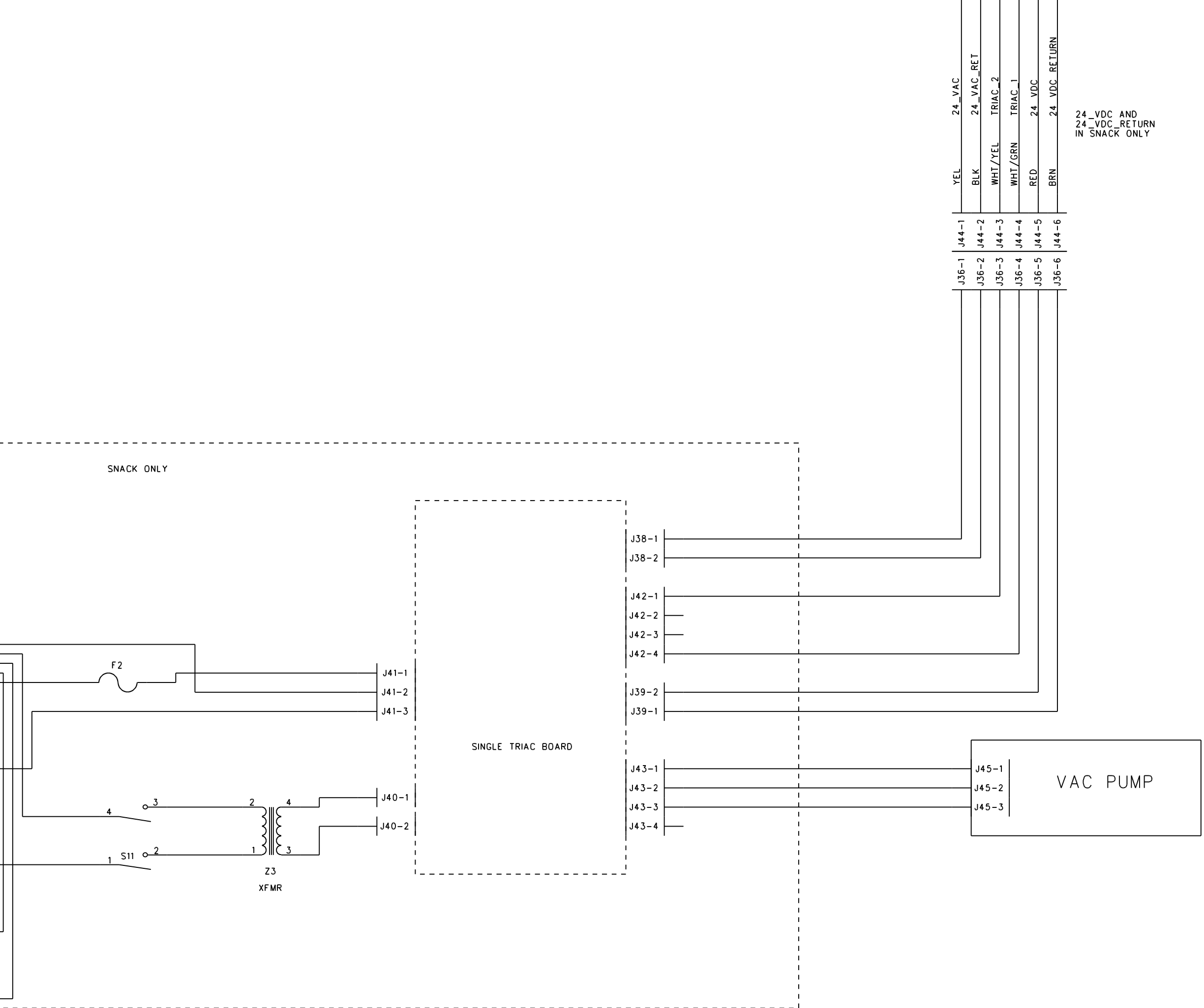
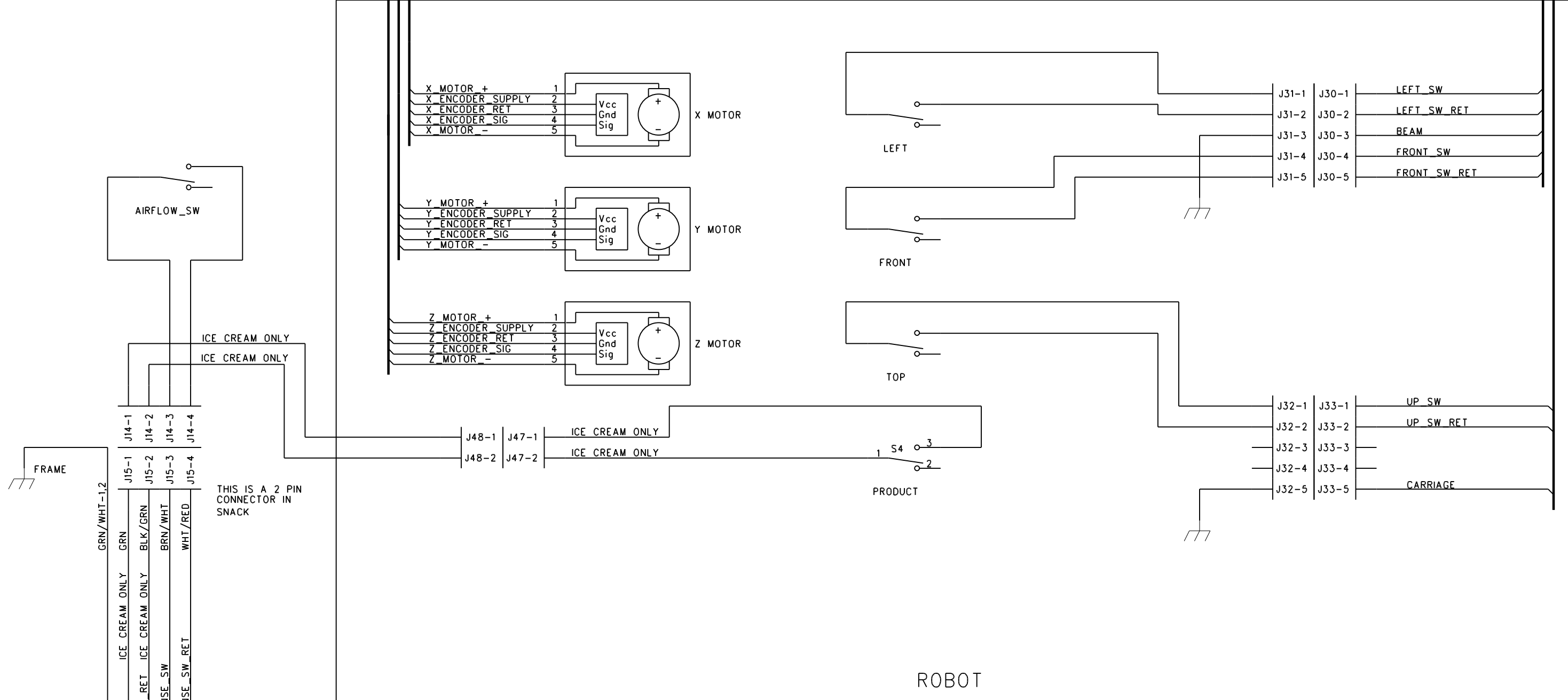
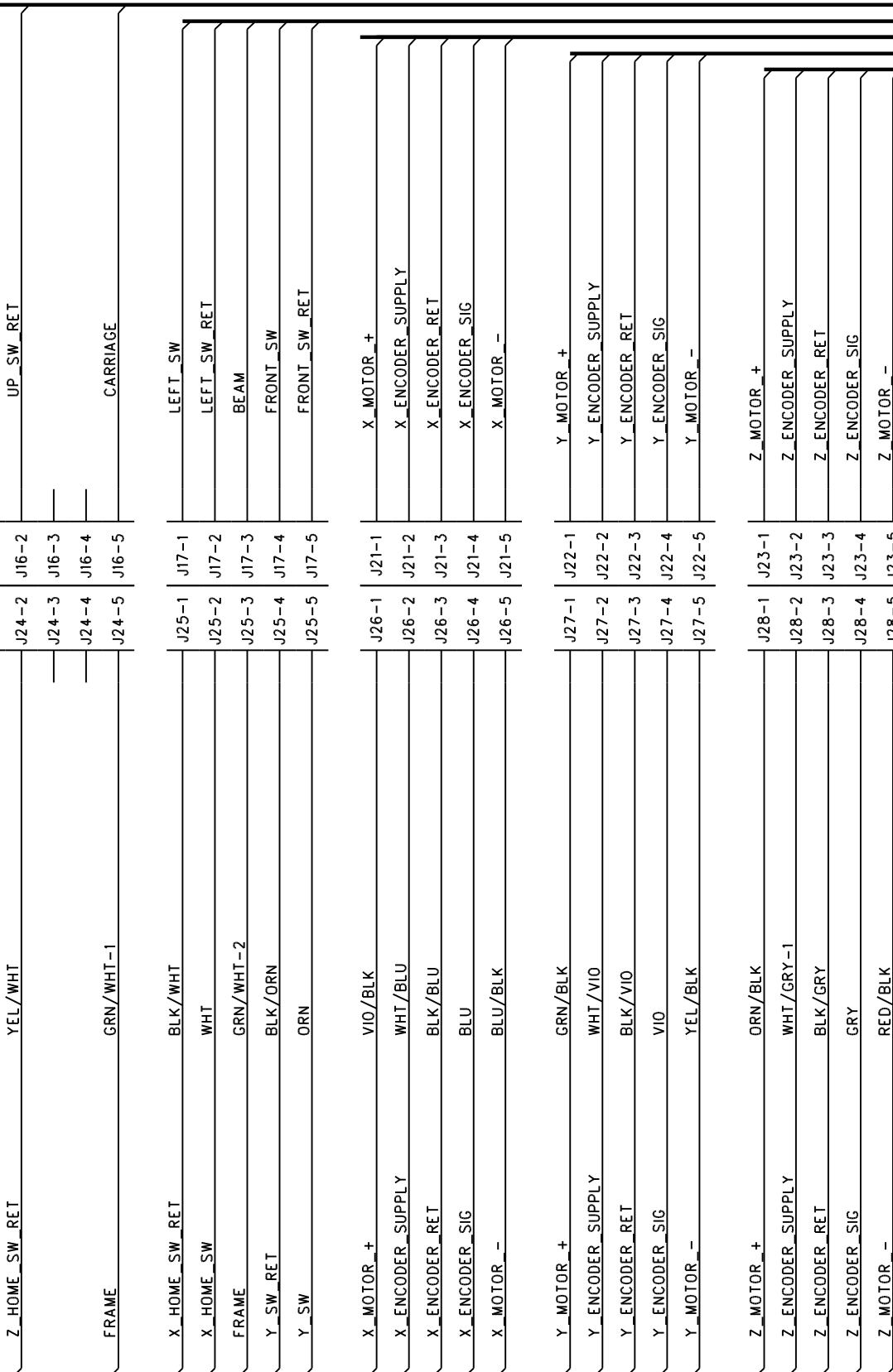
REVISION RECORD			
LTR	ECO NO.	APPROVED:	DATE:

CB1-1	Y_SW_RET	BLK/ORN
CB1-2	Y_SW	ORN
CB1-3	DOOR_CLOSED_SW_RET	BLK/RED
CB1-4	DOOR_CLOSED_SW	RED
CB1-5	DOOR_OPEN_SW_RET	BRN/BLK
CB1-6		
CB1-7		
CB1-8	DOOR_OPEN_SW	BRN
CB1-9	DOOR_ENCODER_RET	WHT/BRN
CB1-10		
CB1-11	DOOR_ENCODER	WHT/ORN
CB1-12	Z_HOME_SW_RET	YEL/WHT
CB1-13	Z_HOME_SW	ORN/WHT
CB1-14	VAC_SENSE_SW_RET	WHT/RED
CB1-15		
CB1-16	VAC_SENSE_SW	BRN/WHT
CB1-17	X_HOME_SW_RET	BLK/WHT
CB1-18		
CB1-19	X_HOME_SW	WHT
CB1-20	Z_ENCODER_RET	BLK/GRY
CB1-21	Z_ENCODER_SIG	GRY
CB1-22	Z_ENCODER_SUPPLY	WHT/GRY-1,2
CB1-23		
CB1-24	Y_ENCODER_RET	BLK/VIO
CB1-25	Y_ENCODER_SIG	VIO
CB1-26		
CB1-27	Y_ENCODER_SUPPLY	WHT/VIO
CB1-28	X_ENCODER_RET	BLK/BLU
CB1-29	X_ENCODER_SIG	BLU
CB1-30		
CB1-31		
CB1-32	X_ENCODER_SUPPLY	WHT/BLU
CB1-33	TEMP_SENSE_1	VIO/WHT
CB1-34	TEMP_SENSE_2	GRY/WHT
CB1-35	PICK_TIP_RET	BLK/GRN
CB1-36	PICK_TIP	GRN

CB2-1	DOOR_MOTOR_-	BLK/BRN
CB2-2	DOOR_MOTOR_+	BLK/YEL
CB2-3	Z_MOTOR_-	RED/BLK
CB2-4	Z_MOTOR_+	ORN/BLK
CB2-5	Y_MOTOR_-	YEL/BLK
CB2-6	Y_MOTOR_+	GRN/BLK
CB2-7	X_MOTOR_-	BLU/BLK
CB2-8	X_MOTOR_+	VIO/BLK
CB2-9	24_VAC	YEL
CB2-10	24_VAC_RET	BLK
CB2-11	TRIAC_2	WHT/YEL
CB2-12	TRIAC_1	WHT/GRN

CB3-1		
CB3-2		

WHT DOT NO DOT GRN DOT RED DOT YEL DOT



D

D

C

C

B

B

A

A

COMPANY:		Dixie - Narco Inc.	
TITLE:		WIRING DIAGRAM FASTCORP IC & SNACK	
DRAWN:	TRM	DATED:	03/30/04
CHECKED:		DATED:	
QUALITY CONTROL:		DATED:	
RELEASED:		DATED:	
CODE:		SIZE:	
DRAWING NO:		17,410.05	
SCALE:		SHEET:	2 OF 2