

Coca-Cola

Parts Manual Dixie-Narco - DN-720P

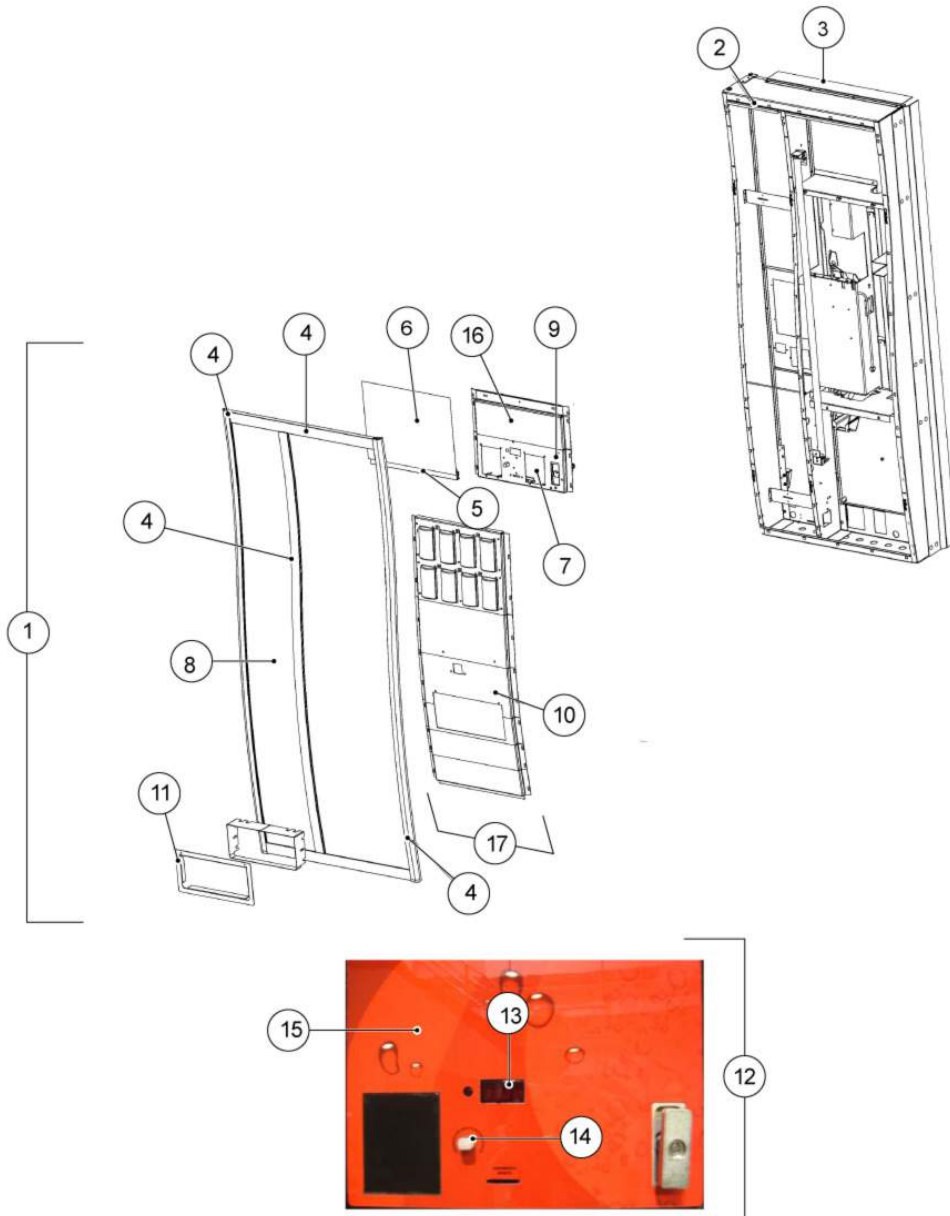
DIXIE – NARCO DN-720P



SPECIFICATIONS

DN720P		
Columns / Selections	10 - Narrow - 8	
Capacity	Total	Per Column
12 oz. Cans	720	72
16 / 20 oz Bottles (PET or Glass)	340	34
Dimensions	72" H x 37" W x 34" D	
Approximate Weight	788 lbs.	
Logic	MDB Protocol	
Power	120 VAC, 60 Hz, 11.5 Amps	

MAIN DOOR EXTERIOR - LMV



Item No.	CCP Part#	Mfg. Part#	CONA Material#	Description
1		63905450		Main Door Assembly P-Series - Specify Graphics, LMV
2		64205360		Door Weld Assembly (Specify Color), All LMV
3		64205340		Kit, Door Hinge, All LMV
4	540404	104896	150004741	GUARD RAIN
5	1070922	114512	150000185	TRIM,VERTICAL,BLK
5.1	1070921	114513	150000186	TRIM,HORIZONTAL,BLK,15.9
5.2	113721	64205054	150023359	TRIM, CENTER VERTICAL 56.94
5.3	109022	101526	150025076	TRIM, TOP, SIGN, BLACK, LMV
5.4	105060	101528	150026782	TRIM, SIGN, VERT SIDE, BLK, 600E COKE W
5.5	132860	101530	150011828	TRIM, VERT CENTER 80", BLKLMV
6		80387022	150011828	Window, AD, All LMV
6.1		80504408	150011828	Card, AD, Coca-Cola 2008
6.2		80387051	150011828	Card, AD, Can, Spanish All
6.3		80504231	150011828	Card, AD, Dasani Lemon
7	502453	104929	150009618	PLATE
7.1	502453	104929	150009618	PLATE

MAIN DOOR EXTERIOR - LMV

Item No.	CCP Part#	Mfg. Part#	CONA Material#	Description
7.2		80200122	150009618	Gasket, Validator
8		80503786	150009618	Sign, English, LMV
8.1		80503965	150009618	Dasani LMV
9	116403	102702	150022141	HANDLE,T,R,ASSY,CWD
9.1	958249	80570124021	150003354	SHIM WAVE
10		64205150	150003354	Assembly, Stud, Selection Panel and Port, I LMV
11		64205000	150003354	Port Trim (Trimspacer), LMV
11.1		80387718	150003354	Decal, Port, Coke, English
11.2		80387716	150003354	Decal, Port, Coke, Spanish
11.3		80387716	150003354	Decal, Port, Coke, Spanish
11.4	108320	80387921001		DECAL, DN600E MARKETING DASANI
12	112511	64205060003	150023842	PANEL, TRANSITION & COIN INSERT, ASY
12.1	516969	101720	150006257	CUP COINAGE
14	503932	101376	150009269	BUTTON PUSH COIN RETURN
15	503448	104899	150009354	GUARD, VANDAL, 72" VENDOR, (ACTUAL PART IS 69")
16		N/A	150009354	Label, Coin Insert, Transaction Panel, English, LMV
16.1		80388239	150009354	Label, Coin Insert, Transaction Panel, Spanish, LMV
16.2		80388239	150009354	Label, Coin Insert, Transaction Panel, Spanish, LMV
16.3	110944	80386973001	150024118	DECAL, POS, DASANI, LMV501E
17		64205160	150024118	Assembly, Selection Panel, All LMV
17.1		N/A	150024118	Decal, Selection Panel
18		N/A	150024118	MAIN DOOR EXTERIOR - MISCELLANEOUS
18.01	504349	604349	150009193	HASP KIT CC VRV NON VRV
18.02	516416	62401000014K	150006473	KIT LOCK COVER CWD
18.03		60902350	150006473	Kit, High Security (Service Part)
18.04	542301	100020	150004311	BOLT, CARRIAGE, 1/4-20 X 1-1/4
18.05	501089	80040062001		BOLT
18.06		80040061		Bolt, T 8-32x3/4
18.07	540791	80080154011		NUT KEPS
18.08		80020245		Bolt, Carriage 1/4-20x1/2
18.09	508290	90090215	150008378	PLUG HOLE BLK 5/16IN
18.1	506287	100107	150008765	RING, E T HANDLE
18.11		90110053	150008765	Rivet, Pop Muti-Grip Blind
18.12	540777	80020242011		BOLT CARRIAGE 1/4 20 X 1IN
18.13	500878	100156	150009924	NUT, KEPS, 1/4 20IN
18.14		80190495	150009924	Rivet, R, Nylon Snap Black
18.15		49174560	150009924	Kit, CC Pricing Labels, LMV
18.16		90380570	150009924	Label, Money Removed Daily (Not Shown)
18.17	103843	102133	150027297	LABEL, DO NOT TIP OR ROCK, DNR
18.18	119090	100023	150020625	BOLT, R, CARRIAGE, 1/4-20 X 3/4", B

MAIN DOOR EXTERIOR - CHAMELEON

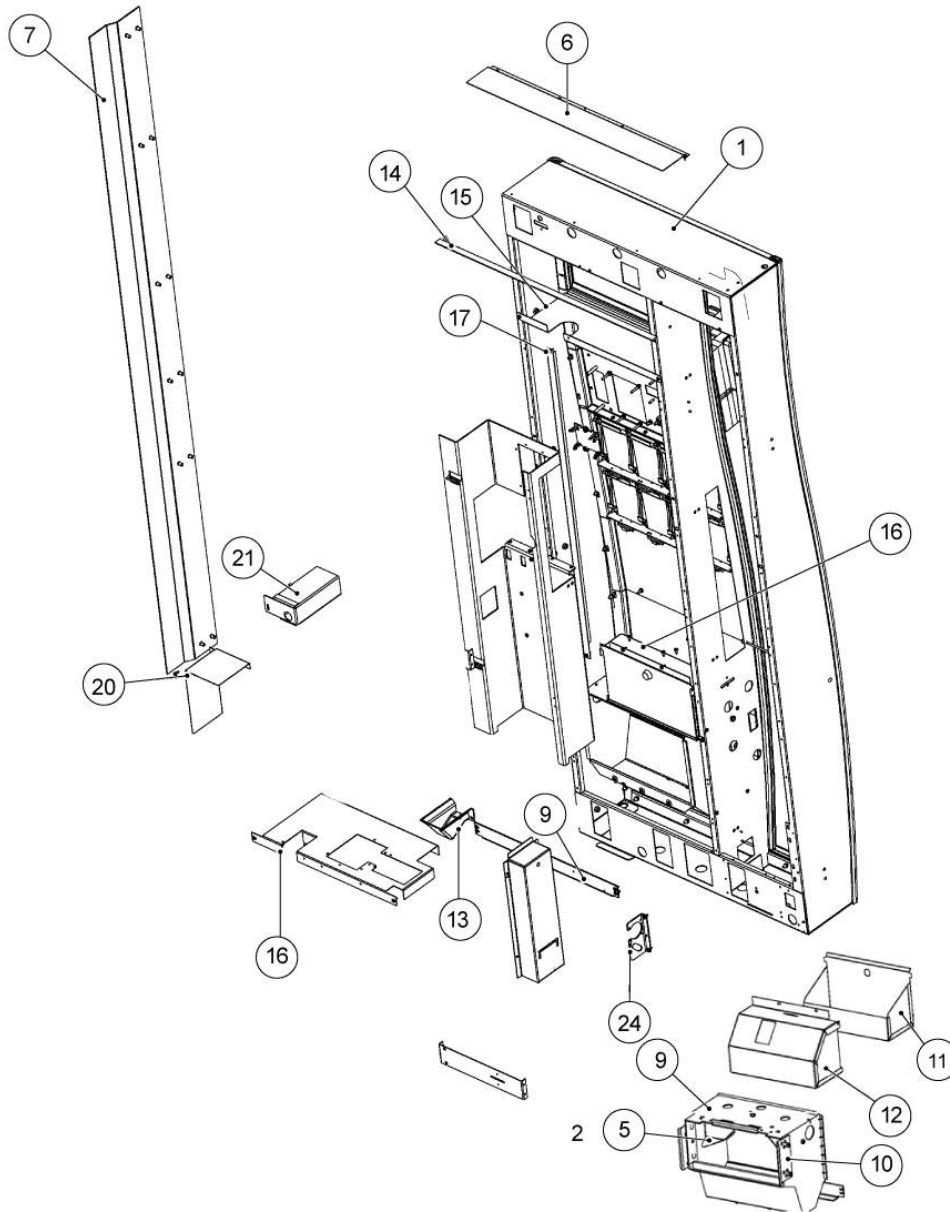


Item No.	CCP Part#	Mfg. Part#	CONA Material#	Description
1		62905080	150020625	Main Door Assembly P-Series - Specify Graphics, Chameleon
2		62905040	150020625	Door Weld Assembly (Specify Color), Chameleon
3	1066408	60905140023K	150002213	HINGE TOP MAIN DOOR DNCB
4	540404	104896	150004741	GUARD RAIN
5		62905011	150004741	Trim,R, Chameleon, Top / Bottom Right Outer 12 3/8"
5.1		62905009	150004741	Trim,R, Chameleon, Enclosure - Coin Insert 15 11/16"
5.2		62905013	150004741	Trim,R, Chameleon, Center Outer 16 7/16"
5.3		62905008	150004741	Trim,R, Chameleon, Enclosure - Coin Return 7 3/8"
5.4	514370	101515	150007073	TRIM SIGN 69IN CIRCULAR
5.5	514370	101515	150007073	TRIM SIGN 69IN CIRCULAR
5.6	507999	101517	150008445	TRIM
5.7	540750	101516	150004667	TRIM,SIGN,76 7/16 IN 7FT
6	544382	101510	150003884	ENCLOSURE TOP
7	506264	101511	150008774	ENCLOSURE BOTTOM CC
8		80388627	150008774	Trim, Ad Panel, Chameleon
8.1		80190496	150008774	Trim, Ad Panel, Bolt, Chameleon (3)

MAIN DOOR EXTERIOR - CHAMELEON

Item No.	CCP Part#	Mfg. Part#	CONA Material#	Description
8.2		80190497	150008774	Trim, Ad Panel, Nut, Chameleon (3)
9	503945	105044	150009263	PLATE
10	501955	BE501955	150009725	DECAL COIN INSERT VRS SII
10.1		80388239	150009725	Label, Coin Insert, Transaction Panel, Spanish, LMV
10.2		80384347	150009725	Label, Coin Insert, Transaction Panel, Spanish, Chameleon
10.3	110944	80386973001	150024118	DECAL,POS,DASANI,LMV501E
11		80200122	150024118	Gasket, Validator
12		62905070	150024118	Assembly, Modular Control Panel, Chameleon
13		80504436	150024118	Sign, Coca-Cola 2008, Chameleon
13.1		80504413	150024118	Sign, Dasani Chameleon
14	110941	102714	150024119	HANDLE,T,ASSY,VRV,FRNT FLUSH MOUNT
15	513561	101533	150007314	TRIM DELIVERY PORT
16		80387718	150007314	Decal, Port, Coke, English
16.1		80387716	150007314	Decal, Port, Coke, Spanish
16.2		80387716	150007314	Decal, Port, Coke, Spanish
16.3	108320	80387921001		DECAL, DN600E MARKETING DASANI
17	522219	57205840	150005016	PLATE MOUNTING CHANGE CUP ASSY
18	500501	105037	150010042	INSERT COIN ASSY VRV
19	501811	101411	150009758	INSERT
19.1	513227	101412	150007401	INSERT, COIN MTG GEO LCN, CC SII
20	503932	101376	150009269	BUTTON PUSH COIN RETURN
21	520664	102893	150005418	LATCH TABLOCK RB21
22	503448	104899	150009354	GUARD,VANDAL,72" VENDOR, (ACTUAL PART IS 69")
23		60915170	150009354	Assy, POS Plate, Chameleon
23.1	545105	102742	150003825	GASKET
24		80387397	150003825	Decal, POS, Chameleon
25		63905670	150003825	Assembly, Selection Panel, Chameleon
26		N/A	150003825	MAIN DOOR EXTERIOR - MISCELLANEOUS
26.01	504349	604349	150009193	HASP KIT CC VRV NON VRV
26.02	516416	62401000014K	150006473	KIT LOCK COVER CWD
26.03		60902350	150006473	Kit, High Security (Service Part)
26.04	542301	100020	150004311	BOLT,CARRIAGE,1/4-20 X 1-1/4
26.05	501089	80040062001		BOLT
26.06		80040061		Bolt, T 8-32x3/4
26.07	540791	80080154011		NUT KEPS
26.08		80020245		Bolt, Carriage 1/4-20x1/2
26.09	508290	90090215	150008378	PLUG HOLE BLK 5/16IN
26.1	506287	100107	150008765	RING,E T HANDLE
26.11		90110053	150008765	Rivet, Pop Muti-Grip Blind
26.12	540777	80020242011		BOLT CARRIAGE 1/4 20 X 1IN
26.13	500878	100156	150009924	NUT,KEPS,1/4 20IN
26.14		80190495	150009924	Rivet,R, Nylon Snap Black
26.15		49174300	150009924	Kit,CC Pricing Labels, Chameleon
26.16		49174560	150009924	Kit,CC Pricing Labels, LMV
26.17		90380570	150009924	Label, Money Removed Daily (Not Shown)
26.18	103843	102133	150027297	LABEL,DO NOT TIP OR ROCK,DNR
26.19	119090	100023	150020625	BOLT,R,CARRIAGE,1/4-20 X 3/4",B

MAIN DOOR INTERIOR (A) - LMV

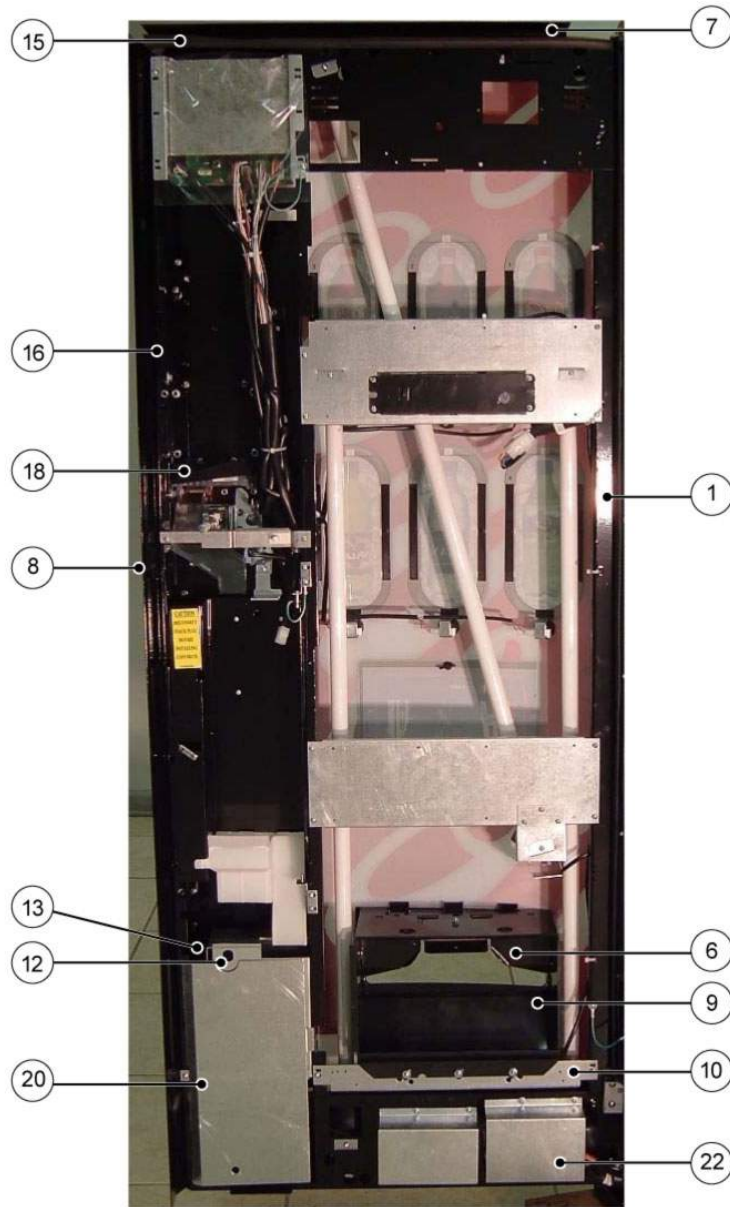


Item No.	CCP Part#	Mfg. Part#	CONA Material#	Description
1		64205360	150020625	Door Weld Assembly, LMV (Specify Color)
2	1066408	60905140023K	150002213	HINGE TOP MAIN DOOR DNCB
3		63105109	150002213	Hinge, Top Black - Pinless
4	542724	104902	150004253	SPACER HINGE TOP
5	513562	105110	150007313	STRIP,CLOSURE PLSTC&NARCIRC LP"
6	540404	104896	150004741	GUARD RAIN
7	503448	104899	150009354	GUARD,VANDAL,72" VENDOR, (ACTUAL PART IS 69")
8	520182	101484	150005559	CHUTE WIDE LARGE PORT E MODEL
9	1065483	62405003053		STIFFENER PORT
10	517612	105070	150006148	SPACER DOOR
11	113723	64205410003		BOX, CASH WELD ASSY
12		64205400		Shelf, Cash Box, LMV
13	516969	101720	150006257	CUP COINAGE
14	500159	102740	150010109	GASKET L PROFILE
15		64205036	150010109	Top Bulkhead, All LMV
16		64205037	150010109	Bottom Bulkhead, LMV

MAIN DOOR INTERIOR (A) -LMV

Item No.	CCP Part#	Mfg. Part#	CONA Material#	Description
17		64205039	150010109	Brace, Angle 90 Degree, LMV
18	1065767	80190318	150002490	DIVERTER RAIN
19		80200122	150002490	Gasket, Validator
20	113716	64205001003	150023363	COVER, SECURITY BILL VALIDATOR
21	518604	62405085033		COVER T HANDLE BOLT
22		64005005		Cover, Wire Plug, LMV
23		59205119		Bracket, Door Stop, LMV
24		63105109		Door Stop, Black
25		80140285		Rod,R, Door, LMV
26	131464	62405095		STIFFENER,DOOR ROD,WIDE,CW
27		N/A		MAIN DOOR INTERIOR (A) - LMV MISCELLANEOUS
27.01	540777	80020242011		BOLT CARRIAGE 1/4 20 X 1IN
27.02	542301	100020	150004311	BOLT,CARRIAGE,1/4-20 X 1-1/4
27.03		80020245	150004311	Bolt,R, Carriage 1/4-20x1/2
27.04		80020246	150004311	Carriage Bolt % -20x 3/8
27.05	119090	100023	150020625	BOLT,R,CARRIAGE,1/4-20 X 3/4",B
27.06		80020252	150020625	Screw,R,10-32x1/2 Machine Truss
27.07	133305	100024	150011501	BOLT,R,STEP 1/4-20X1-1/4, BLK,
27.08	116354	100025	150022166	BOLT,R,CARRIAGE,5/16-18 X 1 1/4
27.09		80030409	150022166	Screw,R,8-189x1/2AB Phillip Pan SEM
27.1	506021	80030418001		SCREW SFTP
27.11	506275	100266	150008770	SCREW,#8-32X3/8 PHLPAN,TYPE1 B
27.12	506277	80030423		SCREW SDRL
27.13	540781	80030426	150004657	SCREW,TAP,1/4-20 X 1HX SEMS,TYPE F
27.14	501322	80030436001		SCREW
27.15	121830	100320	150019282	SCREW,R,#8-18X3/4 SELF TAPPING,B
27.16		80030477	150019282	Screw,R,6-20x3/8 SD Phillip Pan
27.17		80040061	150019282	Bolt,R, T 8-32x3/4
27.18	501089	80040062001		BOLT
27.19	507401	80070144001		WASHER,FLAT 18GA
27.2		80070173		Washer,R, Door Hinge
27.21	540791	80080154011		NUT KEPS
27.22	134875	100154	150010476	NUT, R, ELASTIC STOP,#8-32
27.23	506283	80080156001		NUT KEPS
27.24	500878	100156	150009924	NUT,KEPS,1/4 20IN
27.25	116251	100158	150022229	NUT,HEX,5/16-18 CNTR W/FLNG B
27.26	520664	102893	150005418	LATCH TABLOCK RB21
27.27		80190336	150005418	Hole Plug, Black, 5/8"
27.28	116330	100005	150022188	BEARING,R,HINGE PINLESS
27.29		90090214	150022188	Clip,R, Canoe
27.3	508290	90090215	150008378	PLUG HOLE BLK 5/16IN

MAIN DOOR INTERIOR (A) – CHAMELEON

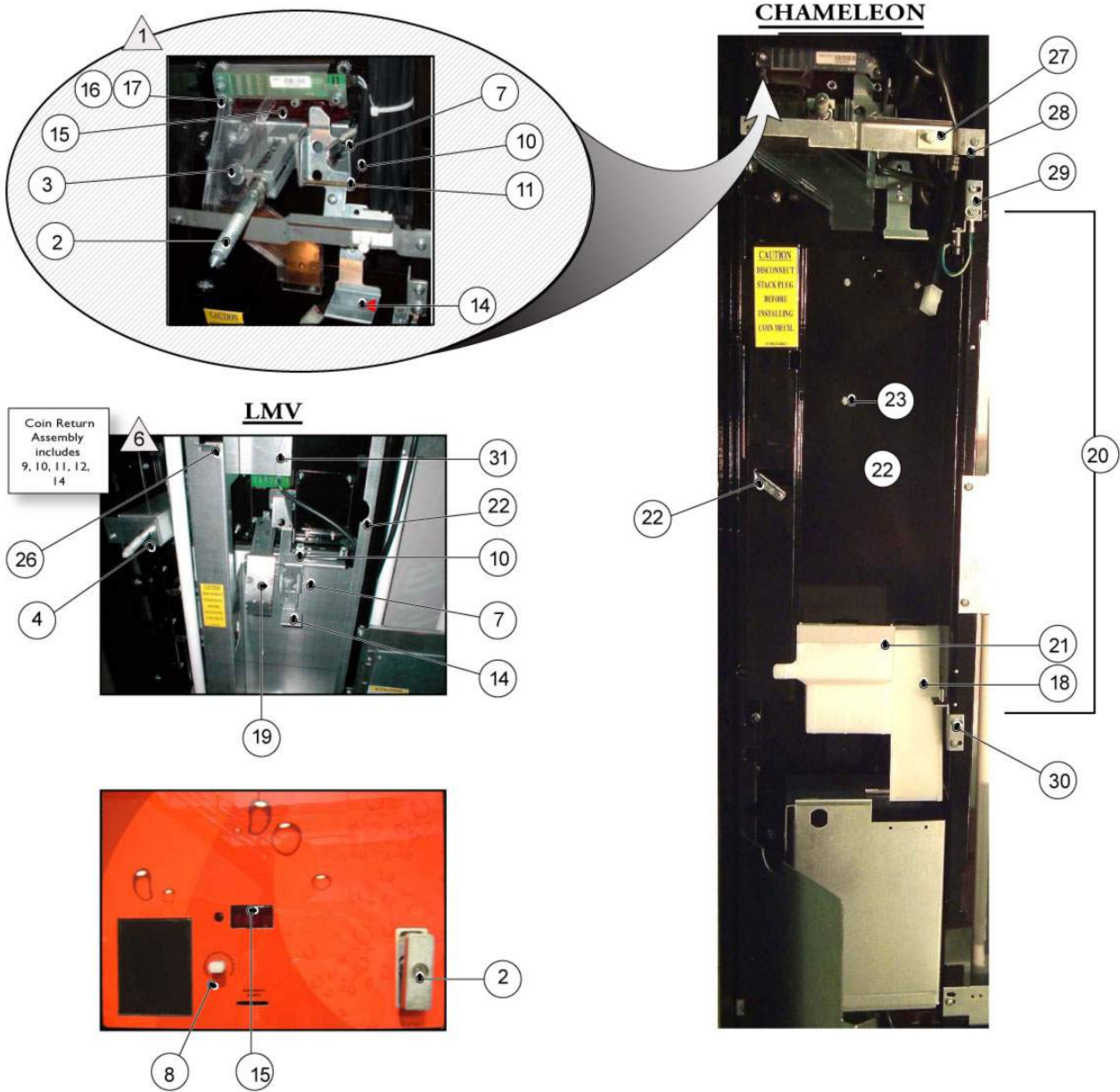


Item No.	CCP Part#	Mfg. Part#	CONA Material#	Description
1		62905040	150008378	Door Weld Assembly, Chameleon (Specify Color)
2	1066408	60905140023K	150002213	HINGE TOP MAIN DOOR DNCB
3		63105109	150002213	Hinge, Top Black - Pinless
4	542724	104902	150004253	SPACER HINGE TOP
5	116330	100005	150022188	BEARING,R,HINGE PINLESS
6	513562	105110	150007313	STRIP,CLOSURE PLSTC&NARCIRC LP"
7	540404	104896	150004741	GUARD RAIN
8	503448	104899	150009354	GUARD,VANDAL,72" VENDOR, (ACTUAL PART IS 69")
9	520182	101484	150005559	CHUTE WIDE LARGE PORT E MODEL
10	520819	105067	150005371	STIFFENER PORT WIDE
11	517612	105070	150006148	SPACER DOOR
12	118449	104949	150021001	BOX,COIN,W/A,LOCKABLE,DN501
13	544439	104940	150003874	SHELF CASH BOX
14	516969	101720	150006257	CUP COINAGE
15	500159	102740	150010109	GASKET L PROFILE
16		62905070	150010109	Modular / Panel and Stud Assembly, Chameleon

MAIN DOOR INTERIOR - CHAMELEON (A)

Item No.	CCP Part#	Mfg. Part#	CONA Material#	Description
17		59407121	150010109	Plate, Reinforcement, Chameleon
18	1065767	80190318	150002490	DIVERTER RAIN
19		80200122	150002490	Gasket, Validator
20	514143	105039	150007140	DOOR BILL VALIDATOR
21	518604	62405085033		COVER T HANDLE BOLT
22		64005007		Cover, Wire Plug, Chameleon
23		59205119		Bracket, Door Stop, LMV
24		63105109		Door Stop, Black
25		80140285		Rod,R, Door, LMV
26	131464	62405095		STIFFENER,DOOR ROD,WIDE,CW
27		N/A		MAIN DOOR INTERIOR - CHAMELEON (A) MISCELLANEOUS
27.01	540777	80020242011		BOLT CARRIAGE 1/4 20 X 1IN
27.02	542301	100020	150004311	BOLT,CARRIAGE,1/4-20 X 1-1/4
27.03		80020245	150004311	Bolt,R, Carriage 1/4-20x1/2
27.04		80020246	150004311	Carriage Bolt % -20x 3/8
27.05	119090	100023	150020625	BOLT,R,CARRIAGE,1/4-20 X 3/4",B
27.06		80020252	150020625	Screw,R,10-32x1/2 Machine Truss
27.07	133305	100024	150011501	BOLT,R,STEP 1/4-20X1-1/4, BLK,
27.08	116354	100025	150022166	BOLT,R,CARRIAGE,5/16-18 X 1 1/4
27.09		80030409	150022166	Screw,R,8-189x1/2AB Phillip Pan SEM
27.1	506021	80030418001		SCREW SFTP
27.11	506275	100266	150008770	SCREW,#8-32X3/8 PHLPAN,TYPE1 B
27.12	506277	80030423		SCREW SDRL
27.13	540781	80030426	150004657	SCREW,TAP,1/4-20 X 1HX SEMS,TYPE F
27.14	501322	80030436001		SCREW
27.15	121830	100320	150019282	SCREW,R,#8-18X3/4 SELF TAPPING,B
27.16		80030477	150019282	Screw,R,6-20x3/8 SD Phillip Pan
27.17		80040061	150019282	Bolt,R, T 8-32x3/4
27.18	501089	80040062001		BOLT
27.19	507401	80070144001		WASHER,FLAT 18GA
27.2		80070173		Washer,R, Door Hinge
27.21	540791	80080154011		NUT KEPS
27.22	134875	100154	150010476	NUT, R, ELASTIC STOP,#8-32
27.23	506283	80080156001		NUT KEPS
27.24	500878	100156	150009924	NUT,KEPS,1/4 20IN
27.25	116251	100158	150022229	NUT,HEX,5/16-18 CNTR W/FLNG B
27.26	520664	102893	150005418	LATCH TABLOCK RB21
27.27		80190336	150005418	Hole Plug, Black, 5/8"
27.28	116330	100005	150022188	BEARING,R,HINGE PINLESS
27.29		90090214	150022188	Clip,R, Canoe
27.3	508290	90090215	150008378	PLUG HOLE BLK 5/16IN

MAIN DOOR INTERIOR (B)



Item No.	CCP Part#	Mfg. Part#	CONA Material#	Description
1		57205210	150008378	Sub Assembly Coin Insert (Includes T Handle), Chameleon
2	110941	102714	150024119	HANDLE,T,ASSY,VRV,FRNT FLUSH MOUNT
2.1	116403	102702	150022141	HANDLE,T,R,ASSY,CWD
3	510032	105035	150007984	RETAINER HIGH SECURITY
3.1	518604	62405085033		COVER T HANDLE BOLT
4	518604	62405085033		COVER T HANDLE BOLT
5	958249	80570124021	150003354	SHIM WAVE
6	113714	64205420003		RETURN, COIN ASSY
7	514809	105042	150006955	BRACKET
7.1	112514	62405123033	150023840	BRACKET,COIN RETURN
8	503932	101376	150009269	BUTTON PUSH COIN RETURN
9		62405126	150009269	Bracket, Coin Return Rocker, LMV
10	514811	105040	150006953	ROCKER
10.1		64205066	150006953	Coin Return Rocker, LMV
11	116548	100195	150022049	PIN,R,ROLLER,5/32 X 2-3/8 ZINC,B
11.1	116548	100195	150022049	PIN,R,ROLLER,5/32 X 2-3/8 ZINC,B

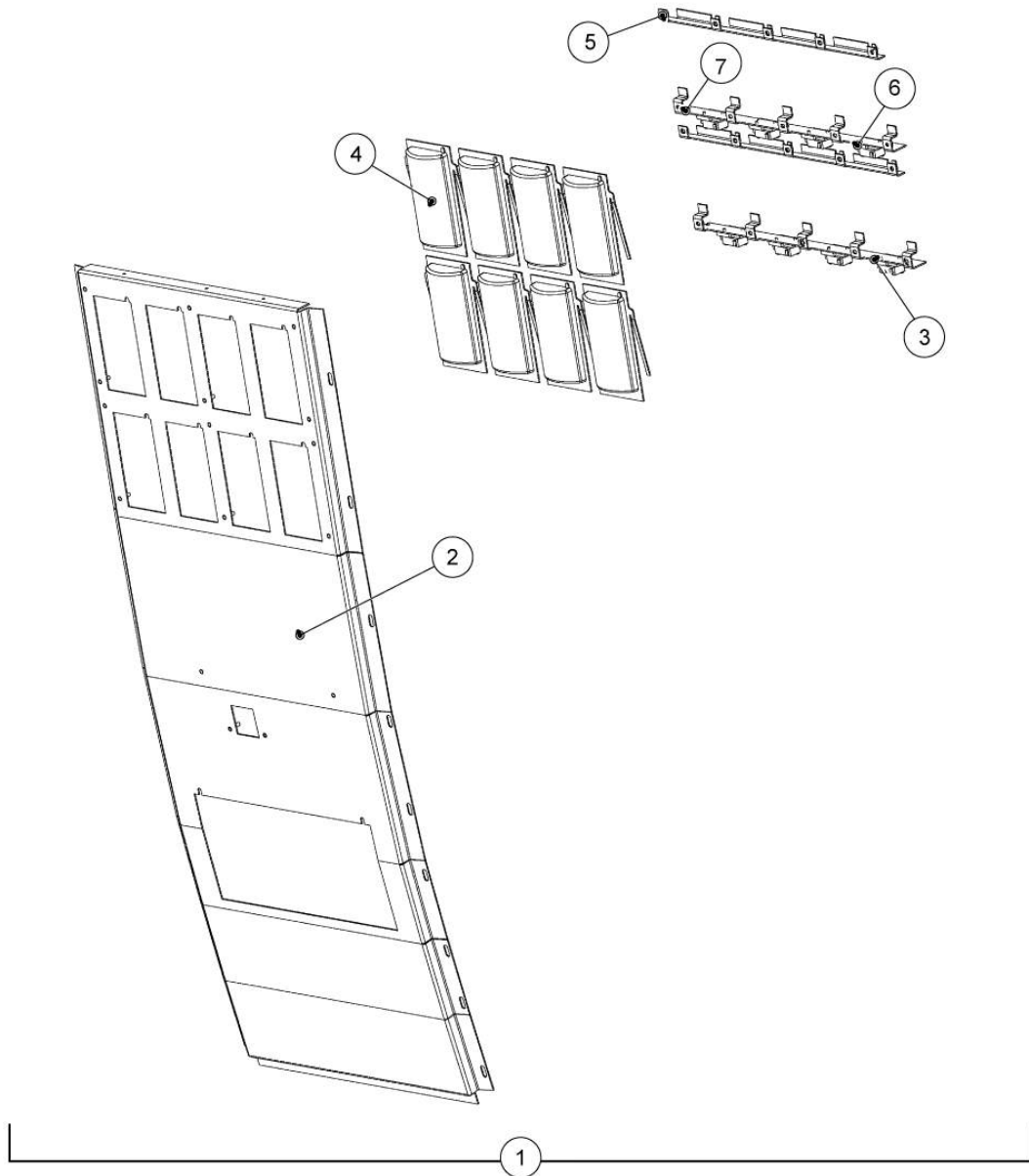
MAIN DOOR INTERIOR (B)

Item No.	CCP Part#	Mfg. Part#	CONA Material#	Description
12	500883	103016	150009922	RETAINER,ROLLER PIN
13	500897	100414	150009916	SPRING COIN RETURN
13.1	113744	100405	150023344	SPRING, CONICAL COIN RETURN
14	514810	105041	150006954	PLUNGER
14.1		64205067	150006954	Plunger, Coin Return / Extension, LMV
15	501811	101411	150009758	INSERT
15.1	515252	102453	150006733	LENS
15.2	513227	101412	150007401	INSERT,COIN MTG GEO LCN,CC SII
16	133219	105512	150011573	KIT,COIN CHUTE,CIR VENDER SP
17	542135	101405	150004332	CHUTE COIN CIR
18	506193	101407	150008801	CHUTE COIN FRONT
19	113718	105368	150023361	PANEL,COIN CHUTE TRANSACTN INSERT
19.1	113745	105367	150023343	VAULT, COIN CHUTE ASSY
19.2	113717	64205390003	150023362	CHUTE, COIN CHUTE BOX ASSY
19.3	113713	64205042003	150023364	CHUTE, CHANGE CUP
20	540184	105019	150004758	DOOR ACCESS ASSY CC
21	506208	101460	150008792	CHUTE COIN HOPPER ASSY
22	512472	104965	150007516	DOOR ACCESS
22.1		64205038	150007516	Access Door, LMV
23		80030434	150007516	Screw,R,8-32x1/4 Phillip Swage Form (coin mech)
24	505694	90150241	150008890	HINGE
25	516969	101720	150006257	CUP COINAGE
26	519109	102892	150005884	LATCH CHANKER DOOR 600E
26.1	519109	102892	150005884	LATCH CHANKER DOOR 600E
27	501234	80410077041	150009839	SWITCH
28	501821	105038	150009754	STRAP
28.1	1066622	60405128		BRACKET DOOR SWITCH V4
29	503016	104947	150009487	HINGE TOP
29.1	505694	90150241	150008890	HINGE
30	542471	104948	150004288	HINGE BOTTOM
30.1	505694	90150241	150008890	HINGE
31	113716	64205001003	150023363	COVER, SECURITY BILL VALIDATOR
32		N/A	150023363	MAIN DOOR INTERIOR (B) - MISCELLANEOUS
32.01	542301	100020	150004311	BOLT,CARRIAGE,1/4-20 X 1-1/4
32.02	119090	100023	150020625	BOLT,R,CARRIAGE,1/4-20 X 3/4",B
32.03		80020252	150020625	Screw,R,10-32x1/2 Machine Truss
32.04	116354	100025	150022166	BOLT,R,CARRIAGE,5/16-18 X 1 1/4
32.05		80030409	150022166	Screw, 8-18x1/2 Phil Pan Sems
32.06	506021	80030418001		SCREW SFTP
32.07	506277	80030423		SCREW SDRL
32.08	545109	80030425001		SCREW SEMS
32.09		80030434		Screw, 8-32x1/4 Phil Pan
32.1		80030438		Screw, 8-32x3/8 Type 1, Hex Washer
32.11	116548	100195	150022049	PIN,R,ROLLER,5/32 X 2-3/8 ZINC,B
32.12		80070173	150022049	Washer, Door Hinge
32.13	540791	80080154011		NUT KEPS
32.14	134875	100154	150010476	NUT, R, ELASTIC STOP,#8-32
32.15	506283	80080156001		NUT KEPS
32.16	500878	100156	150009924	NUT,KEPS,1/4 20IN

MAIN DOOR INTERIOR (B)

Item No.	CCP Part#	Mfg. Part#	CONA Material#	Description
32.17	116251	100158	150022229	NUT,HEX,5/16-18 CNTR W/FLNG B
32.18		80090285	150022229	Clip,R, Trim Dart Type (6)
32.19	116132	100229	150022322	RIVET,R,1/8 STEEL ZINC PLT B
32.2	516519	100054	150006420	BUSHING,.50IDX.625 097CHASS
32.21		80360072	150006420	Sealer,R, Black Thumable Perma-Gum
32.22		80383304	150006420	Label, Precaution Access Door
32.23		80383304	150006420	Label,R,SIID Precaution
32.24		80384624	150006420	Label, Coin Return Tie
32.25		80385811	150006420	Label,R, Domestic Bill Validator Mounting
32.26	1066624	100503	150002149	WASHER NYLON .260ID X .6870OD
32.27	500883	103016	150009922	RETAINER,ROLLER PIN
32.28	500897	100414	150009916	SPRING COIN RETURN
32.29	504089	100064	150009239	CLAMP CABLE 1IN
32.3		90190298	150009239	Bushing,R,5/8" Split Nylon
32.31		90090227	150009239	Clamp,R, P Cable 9/16" Black
32.32	502411	100235	150009635	RIVET
32.33	504089	100064	150009239	CLAMP CABLE 1IN
32.34		90390130	150009239	Label, Coin Mech SII
32.35		90540220	150009239	Tape,R, 1.5" Surtape SF415
32.36	509833	100104	150008036	INSTRUCTION BAG ASSY LOCK

SELECT PANEL - LMV

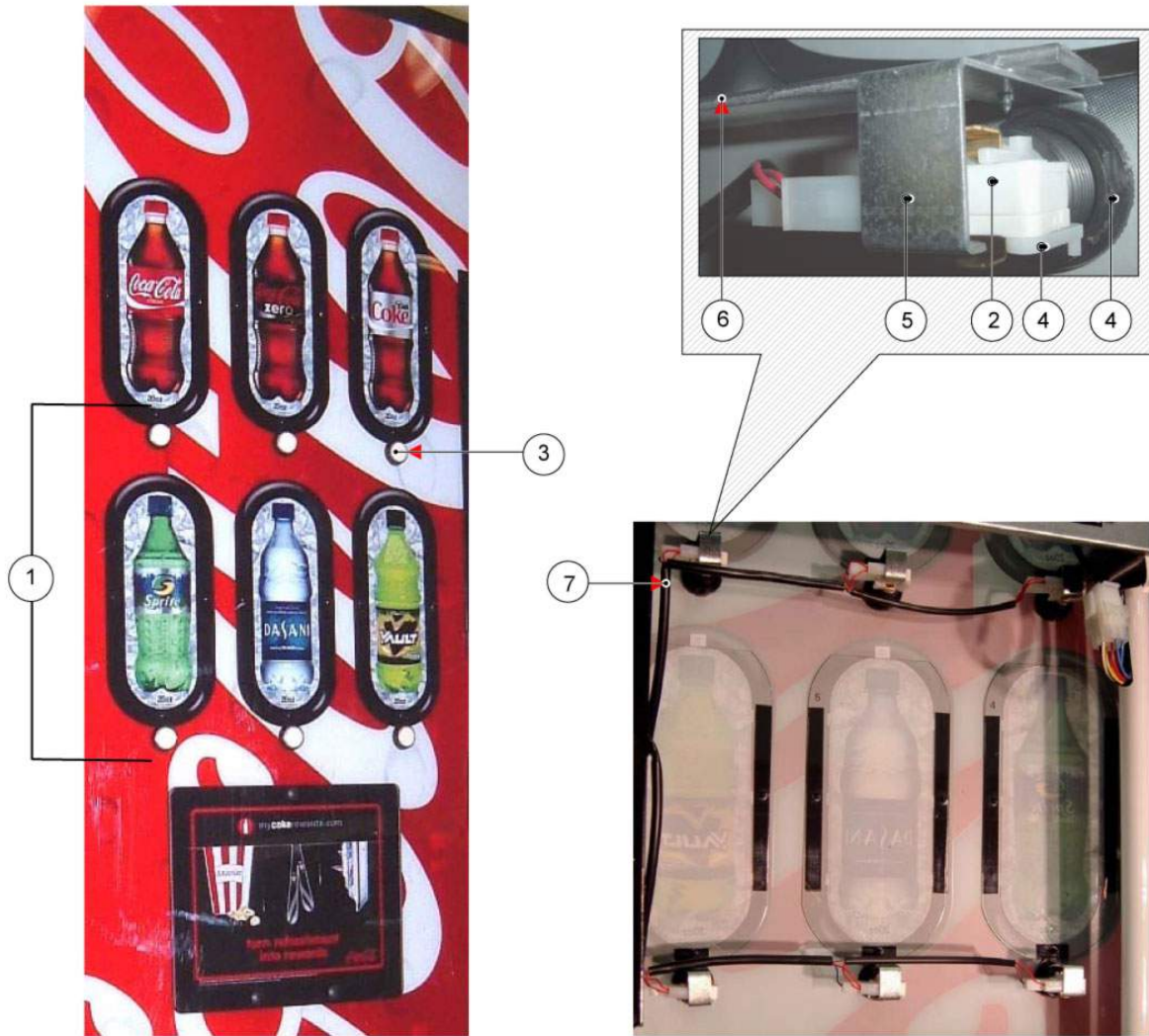


Item No.	CCP Part#	Mfg. Part#	CONA Material#	Description
1		64205160	150008036	Select Panel Assembly, LMV
2		64205150	150008036	Weld Assembly Select Panel, Only LMV - Not Shown
3	501235	101193	150009838	SWITCH SELECTION SII
4	515255	101380	150006731	BUTTON SELECT
5		ORDER ITEM 4	150006731	Nut, Selection Button
5.1		ORDER ITEM 4	150006731	Housing, Selection Button
5.2		ORDER ITEM 4	150006731	Spring, Selection Button
5.3		ORDER ITEM 4	150006731	Insert, Selection Button
5.4		ORDER ITEM 4	150006731	Washer, Selection Button Assembly
5.5		ORDER ITEM 4	150006731	Holder, Selection Switch
6	113731	6245012	150023356	RETAINER, SELECT BUTTON
7		80492108	150023356	Harness, LMV
8	518605	80181217021	150005937	INSULATOR SWITCH
9	515257	80570058	150006730	STOP SELECT BUTTON
10		N/A	150006730	SELECT PANEL - MISCELLANEOUS
10.01	542451	80030450001		SCREW SELECT SWITCH

SELECT PANEL - LMV

Item No.	CCP Part#	Mfg. Part#	CONA Material#	Description
10.02		90100144		Standoff, .187 x .312 x .625
10.03	540791	80080154011		NUT KEPS
10.04		80030528		Screw, 6-20x11/32 (9)
10.05		80190495		Rivet, Black Snap (24)
10.06	502413	100060	150009633	CLAMP
10.07		90360066	150009633	Tape,R,PSA CLSD CELL 1RL= 1700ft

SELECT PANEL - CHAMELEON

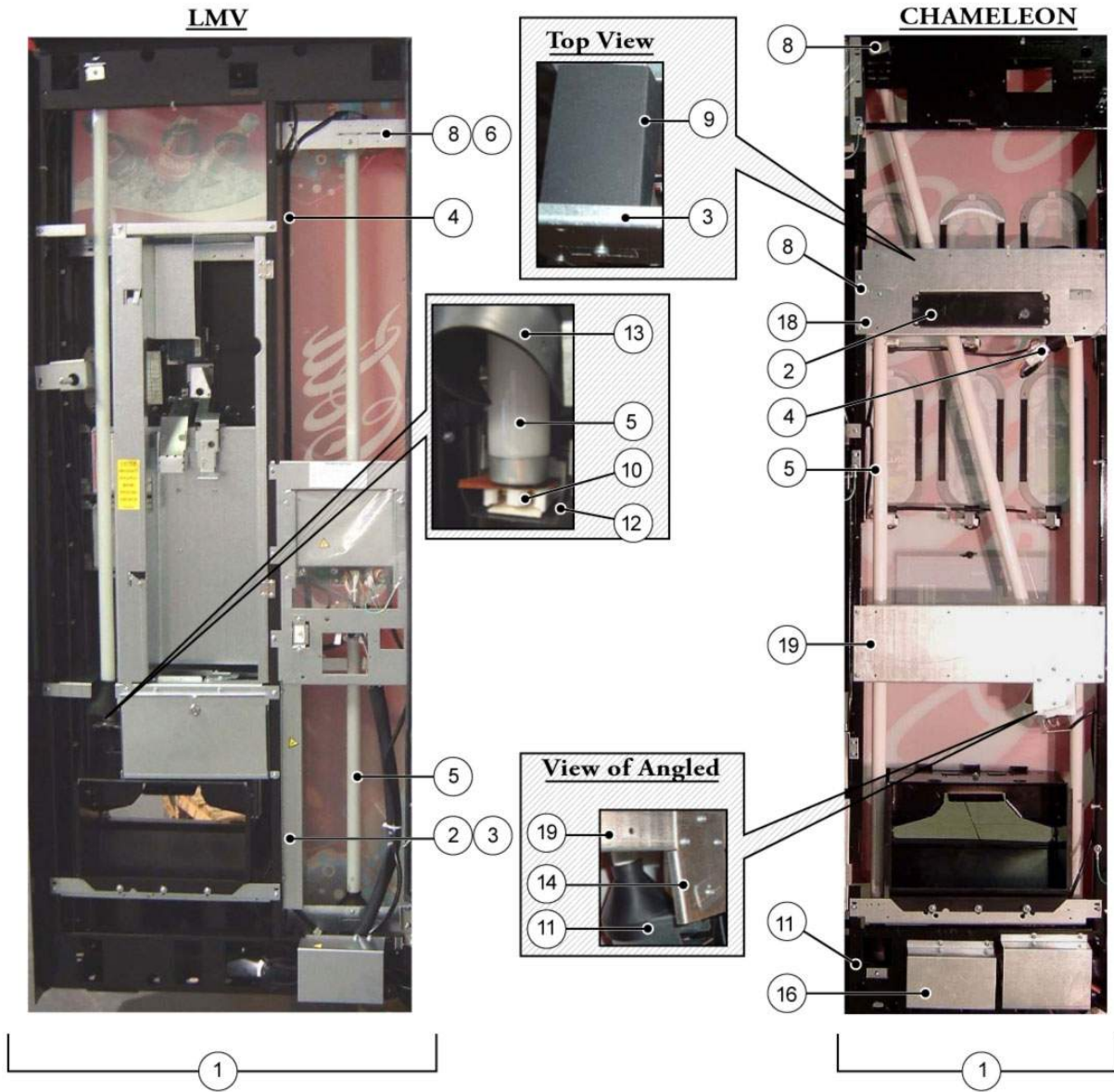


Item No.	CCP Part#	Mfg. Part#	CONA Material#	Description
1		63905670	150009633	Select Panel Assembly, Chameleon
2	501235	101193	150009838	SWITCH SELECTION SII
3		80520283	150009838	Select Button, Assy, Chameleon
4		ORDER ITEM 3	150009838	Nut, Selection Button
4.1		ORDER ITEM 3	150009838	Housing, Selection Button
4.2		ORDER ITEM 3	150009838	Spring, Selection Button
4.3		ORDER ITEM 3	150009838	Insert, Selection Button
4.4		ORDER ITEM 3	150009838	Washer, Selection Button Assembly
4.5		ORDER ITEM 3	150009838	Holder, Selection Switch
5		80010282	150009838	Select Button Bracket, Chameleon
6		80160312	150009838	Sign Brace, Chameleon (2)
7		80492764	150009838	Harness, Chameleon
8		N/A	150009838	SELECT PANEL - MISCELLANEOUS
8.01	542451	80030450001		SCREW SELECT SWITCH
8.02		90100144		Standoff, .187 x .312 x .625
8.03	540791	80080154011		NUT KEPS

SELECT PANEL - CHAMELEON

Item No.	CCP Part#	Mfg. Part#	CONA Material#	Description
8.04		80030528		Screw, 6-20x11/32 (9)
8.05		80190495		Rivet, Black Snap (24)
8.06	502413	100060	150009633	CLAMP
8.07		90360066	150009633	Tape,R,PSA CLSD CELL 1RL= 1700ft

T8 LIGHTING

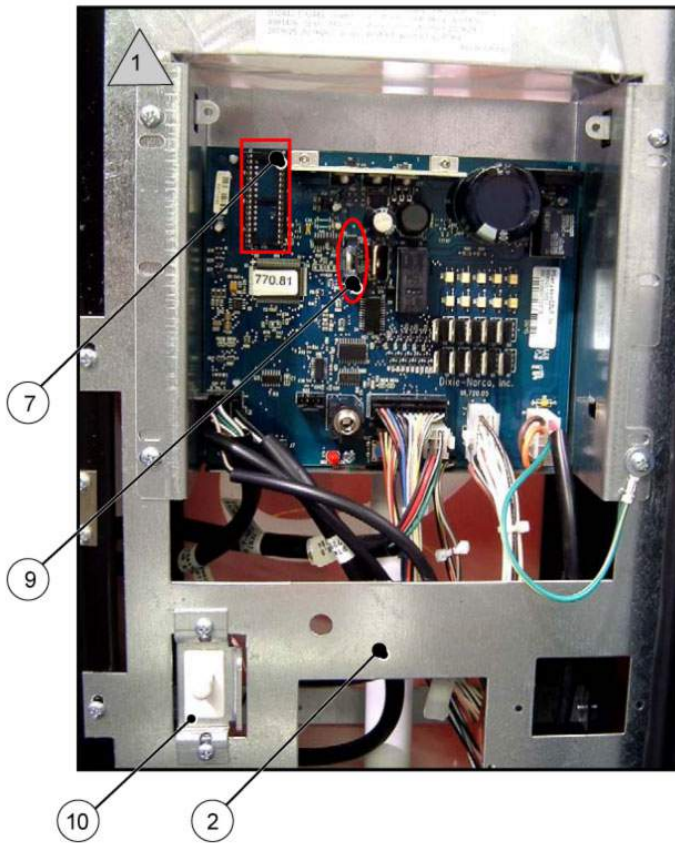


Item No.	CCP Part#	Mfg. Part#	CONA Material#	Description
1		63905660	150009633	T8 Light AssemblyChameleon
1.1		64005010	150009633	T8 Light Assembly, LMV Except Italy
2		80440061	150009633	Ballast T8, All Except Italy
3		63905036	150009633	Ballast Enclosure, Chameleon - KYDEX
3.1		64205290	150009633	Ballast Enclosure, LMV
4		80492763	150009633	T8 Lighting Harness, Chameleon (Not Shown)
4.4	103791	80492102011	150027314	HARNESS,LIGHTING,3-T8,DN500E/600
5	1070096	102428	150000580	BULB FO 32W T8
6		64205063	150000580	Bracket, Light Mount LMV (2)
7	105371	102439	150026661	HOLDER, TOP LAMP SOCKET, T8
8		63905022	150026661	Top Angled - Chameleon 3.50", Can only be purchased w/assy
8.1	505861	104941	150008857	BRACKET
8.2	108207	105364	150025389	SOCKET,LAMP, TOP,PUSH BRACKET
9		63905036	150025389	Shield, Top, Center - Chameleon KYDEX
9.1	520325	80181913001		HANDLE
9.2	520325	80181913001		HANDLE

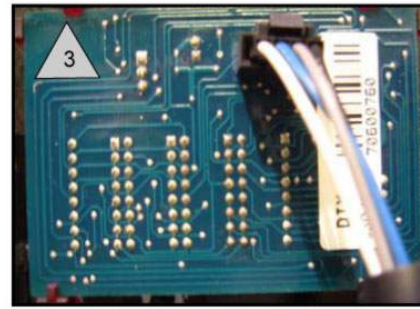
T8 LIGHTING

Item No.	CCP Part#	Mfg. Part#	CONA Material#	Description
10	105372	102440	150026660	HOLDER,BOTTOM LAMP SOCKET,T8
11		63905022	150026660	Bracket, Lamp Socket, Bottom Twist, Angled - Chameleon 3.50" - Can
11.1	505861	104941	150008857	BRACKET
11.2	108208	105365	150025388	SOCKET,LAMP,BOTTOM,PUSH BRACKET
12		63905036	150025388	Shield, Bottom, Center - Chameleon KYDEX
12.1		80181912	150025388	Shield, Bottom, LMV
12.2		N/A	150025388	Shield, Bottom, Export, LMV
13	113719	80200144	150023360	BOOT, LAMP
14		60907114	150023360	Lamp Bracket Plate, Angled Chameleon (1)
15		80492693	150023360	Choke, Chameleon - 5mH 6A FOSTER A-16015
16		62905016	150023360	Choke Cover, Chameleon
17		80492111	150023360	Choke Harness, Chameleon
18		60907113	150023360	Stiffener, Upper, Chameleon
18.1		64205036	150023360	Stiffener, Upper, LMV
19		60907112	150023360	Stiffener, Lower, Chameleon
19.1		64205037	150023360	Stiffener, Lower, LMV
20		N/A	150023360	MAIN DOOR EXTERIOR - MISCELLANEOUS
20.01		N/A	150023360	Label, Fluorescent Lamp
20.02		80030428	150023360	Screw, 10-32x1 1/4 Type F
20.03	506275	100266	150008770	SCREW,#8-32X3/8 PHLPAN,TYPE1 B
20.04		90090243	150008770	Clamp, Cable Nylon, 3/8"
20.05	503941	100097	150009265	CLIP
20.06		80200157	150009265	Bushing, Split 1 1/4"
20.07		80190303	150009265	Bushing, Split 7/8"
20.08		80180993	150009265	Grommet, Caterpillar 23.375"
20.09		80387689	150009265	Label,Lamp,5'58W Replacement Spanish
20.1	506021	80030418001		SCREW SFTP

ELECTRONIC COMPONENTS



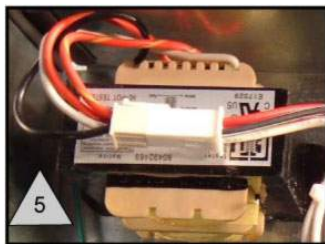
LMV



CHAMELELON



DOMESTIC



Item No.	CCP Part#	Mfg. Part#	CONA Material#	Description
1	105879	105346	150026377	BOARD,CONTROL,PEGASUS SERIES
2		64205011	150026377	Bracket, SBC Mounting, LMV
3		80492515	150026377	Display Board 14 Segment, Chameleon
3.1	516971	100690	150006255	BOARD,DISPLAY,R, ASSY,CWD,MKT VEND.
4	515253	80200128011		GASKET DISPLAY LENS
5		80492596		Transformer,R, Domestic CL2 UL1585, Except Italy
6		80130616		Controller Cover - Not Shown
7		80491977		EPROM (EPROM socket only shown)
8		80190423		Rain Curtain, Control Board
9	516559	DL2032	150006400	BATTERY COIN CELL LITHIUM 3V
10	501234	80410077041	150009839	SWITCH
11	519137	80180999	150005876	COVER L.E.D. DISPLAY S2/S3D
12		63901000	150005876	Vend Sensor Assembly, Service Kit
13		N/A	150005876	ELECTRONIC COMPONENT - MISCELLANEOUS
13.01	523033	105195	150004849	SWITCH OVERRIDE ON/OFF DN5000
13.02		80020248	150004849	Screw,R,#6-32x1/4" Pan Head Threadform (3)

ELECTRONIC COMPONENTS

Item No.	CCP Part#	Mfg. Part#	CONA Material#	Description
13.03	506021	80030418001		SCREW SFTP
13.04		80190421		Standoff,Reverse Lock (4)
13.05		80385706		Label,R,Caution and Fuse S3D
13.06		80490261		Ground,R,Wire 4" Green/Yellow
13.07		90190201		Tie,R,Wire 7 1/2"
13.08	510031	90360065	150007985	TAPE TRNSFR ADHSV DBL FACE

INNER DOOR – ALL



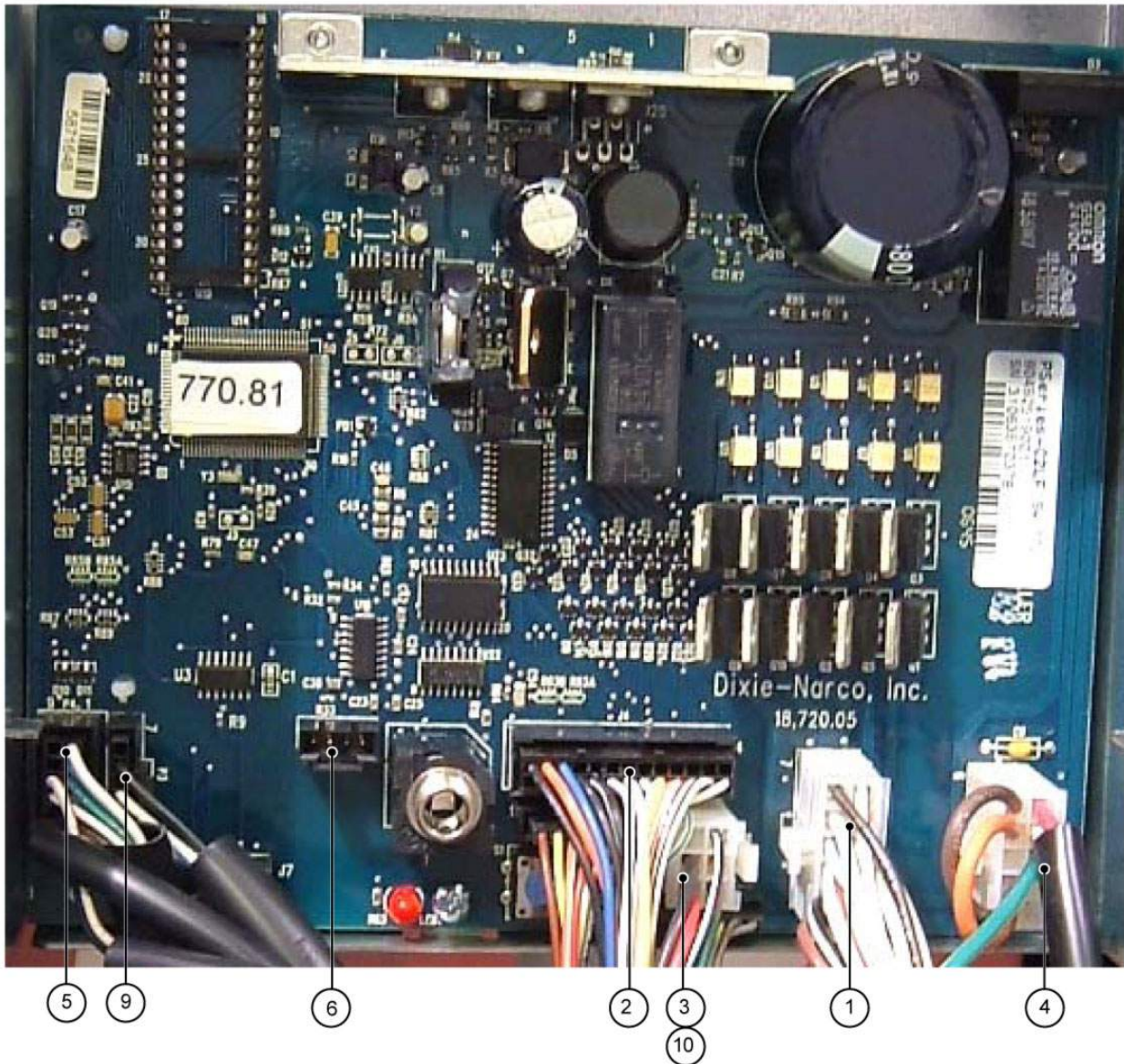
Item No.	CCP Part#	Mfg. Part#	CONA Material#	Description
1		62905060	150007985	Inner Door Assembly, Chameleon
1.1		63905300	150007985	Inner Door Assembly, LMV
2	145556	102729	150062047	GASKET,R,INNER DOOR,PEG 2
3		62905050	150062047	Sub Assembly Inner Door, Chameleon
3.1		63905050	150062047	Sub Assembly Inner Door, LMV
4		80388783	150062047	Label, Programming 3.0. Except Italy
5		80388163	150062047	Loading Instruction
6		80388647	150062047	Wiring Diagram, Chameleon
6.1		80388175	150062047	Wiring Diagram, LMV, Except Italy
7		80388632	150062047	Label, Button/Stack, Chameleon
7.1		80388135	150062047	Label, Button/Stack, LMV
8		80182181	150062047	Gate, Front Product Positioner, Chameleon
8.1		80182156	150062047	Gate, Front Product Positioner, LMV
9	513564	103014	150007311	RETAINER,PORT, 501E/600E
10	513563	101434	150007312	FRAME DISCHARGE ASSY E MODELS
11	513563	101434	150007312	FRAME DISCHARGE ASSY E MODELS

INNER DOOR- ALL

Item No.	CCP Part#	Mfg. Part#	CONA Material#	Description
11.1		80180914	150007312	Frame, Discharge
11.2		80140170	150007312	Rod, Hinge (Not Shown)
12	103932	16905300093		HINGE,GATE,SHORT
13	500687	104904	150009968	HINGE BOTTOM INNER DOOR
14		N/A	150009968	INNER DOOR - MISCELLANEOUS
14.01	542301	100020	150004311	BOLT,CARRIAGE,1/4-20 X 1-1/4
14.02	506277	80030423		SCREW SDRL
14.03	545025	777808	150003843	BUSHING INNER DOOR
14.04		80180643	150003843	Bushing Retainer
14.05	500904	100006	150009915	NYLINER,COVEYOR,CGF
14.06	540771	104926	150004661	LOCK,KIT,INNER DR,#1352 B/M ALL E
14.07		80020252	150004661	Screw, 10-32x1/2 Machine Truss (4)
14.08	506283	80080156001		NUT KEPS
14.09	500893	102888	150009917	KNOB INNER DOOR
14.1	542301	100020	150004311	BOLT,CARRIAGE,1/4-20 X 1-1/4
15	147683	CC-DN72N.LMV	150072385	SIGN,COCA COLA,DN LEAN MV,NARROW, 10 X 67.125

HARNESSING

Single Board Controller

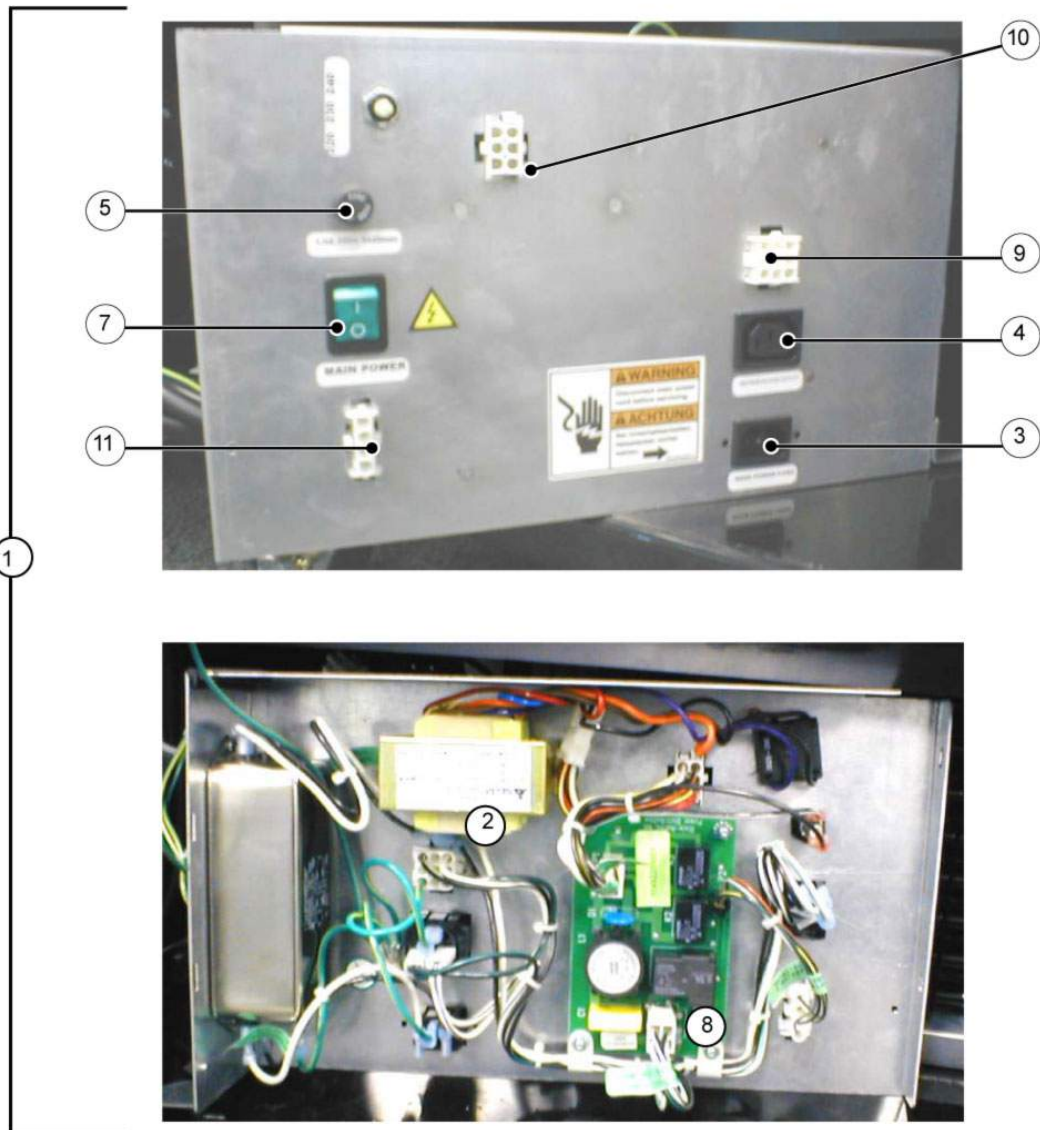


Item No.	CCP Part#	Mfg. Part#	CONA Material#	Description
1		596	150072385	Motor Harness (Stack)
2		80492638	150072385	Harness, P-Series Door, Chameleon
2.1		80492637	150072385	Harness, P-Series Door, LMV
3	507161	100900	150008657	HARNESS
3.1	143014	100765	150053699	HARNESS,R,MDB SBC,NON-HVV,25" SL5
4		80492381	150053699	Harness, AC Distribution - Door, Chameleon
4.1		80492380	150053699	Harness, AC Distribution - Door, LMV
5		80492764	150053699	Harness, Selection Panel, Chameleon
5.1		80492108	150053699	Harness, Selection Panel, LMV
6	507732	100730	150008526	HARNESS
7	518550	101026	150005962	HARNESS,AUXILIARY DEX JACK, DN3/5800 E-MODEL
8	129980	100162	150013824	NUT, HEX.375-32,(FOR DEX PLUG)
9	129422	100899	150014148	HARNESS,R,LEGACY DISPLAY SBC
10	507161	100900	150008657	HARNESS
10.1	143014	100765	150053699	HARNESS,R,MDB SBC,NON-HVV,25" SL5
11		80492380	150053699	Extended Light Harness, AC Box

HARNESSING (Single Board Controller)

Item No.	CCP Part#	Mfg. Part#	CONA Material#	Description
12	113869	BE968311	150023265	CORD,POWER,W/IN LINE,GFCI (134") GFV BREAKAWAY HARNESS
13		N/A	150023265	HARNESSING - MISCELLANEOUS
13.01		80388518	150023265	Label,R,Warning GFCI
13.02		80388542	150023265	Label,R,Notice GFCI Equipped Machine
13.03		90190201	150023265	Tie,R, Wire 7.5"
13.04	506021	80030418001		SCREW SFTP
13.05		80190421		Standoff,Reverse Lock

POWER DISTRIBUTION



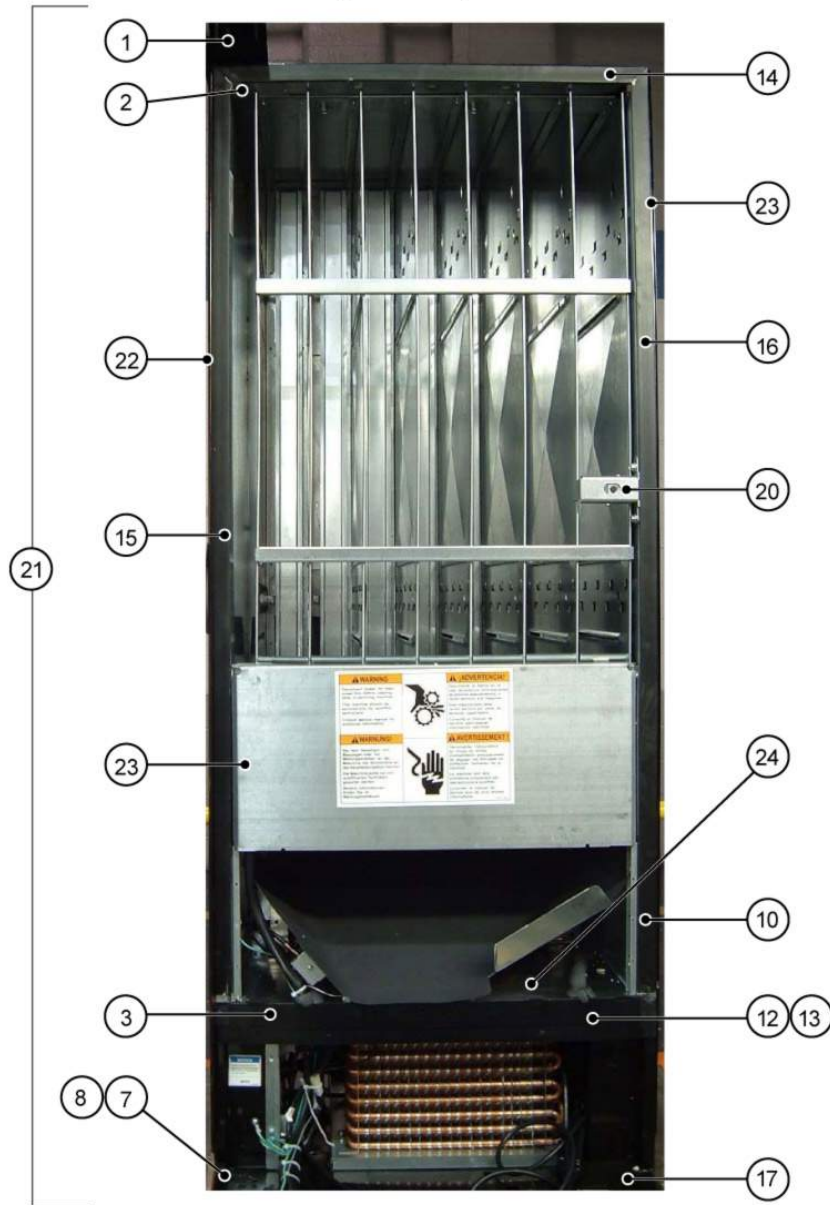
Item No.	CCP Part#	Mfg. Part#	CONA Material#	Description
1	117102	400408	150021732	BOARD,P SERIES,W/AC DIST BOX, ASSY
2		80492596	150021732	Transformer, Except Italy
3	109177	102993	150024988	PLUG,POWER INLET,GFV B
4	1068456	102941	150001328	OUTLET FUSE AC 15ON CGROUNDED
5		80492546	150001328	Fuse Holder - 5X20mm
6	501231	100710	150009841	FUSE
7		80410118	150009841	Rocker Switch, Illuminated, Domestic - Amber
8	117102	400408	150021732	BOARD,P SERIES,W/AC DIST BOX, ASSY
9		80492323	150021732	AC Input Harness
10		80492324	150021732	AC Outlet Harness
11		80492325	150021732	Power Distribution Relay Harness
12		80492326	150021732	AC Distribution Harness
13		63903008	150021732	Bracket, Mounting Power Dist Box
14	113869	BE968311	150023265	CORD,POWER,W/IN LINE,GFCI (134") GFV BREAKAWAY HARNESS
15		63903006	150023265	Plate, Power Dist Box, Except Italy
16		N/A	150023265	POWER DISTRIBUTION - MISCELLANEOUS

POWER DISTRIBUTION

Item No.	CCP Part#	Mfg. Part#	CONA Material#	Description
16.01		80020248	150023265	Screw,R,#6-32x1/4" Pan Head Threadform
16.02	506021	80030418001		SCREW SFTP
16.03	506275	100266	150008770	SCREW,#8-32X3/8 PHLPAN,TYPE1 B
16.04	540791	80080154011		NUT KEPS
16.05		80080163		Nut,R, KEPS 15-21 Hex Panel
16.06	120332	100056	150019998	CLAMP,R,P NYLON,CABLE,5/16" WHT
16.07	116132	100229	150022322	RIVET,R,1/8 STEEL ZINC PLT B
16.08		80181453	150022322	Edge,R, Trim Rubber 6"
16.09		80181813	150022322	Spacer,R,Nylon #8 ID, .312 OD, .5
16.1		80385756	150022322	Label,R, Select Switch
16.11		80385869	150022322	Label,R, AC Box Power Dist German
16.12		80386085	150022322	Label,R,Main Power
16.13		80386803	150022322	Label,R,1.6A Fuse
16.14		80386804	150022322	Label,R, Refrigeration Outlet
16.15		80387683	150022322	Label,R, Fuse 1.0A
16.16		80387684	150022322	Label,R,Main Power Inlet
16.17		80387972	150022322	Label,R,On/Off Rocker Switch
16.18		80490261	150022322	Lead,R, Ground 4" Green/Yellow
16.19		80490442	150022322	Ground,R,Lead 20"
16.2		80490538	150022322	Lead,R,Ground 39" 16AWG 603290
16.21		80491384	150022322	Ground,R,Compressor Outlet
16.22		80492327	150022322	Lead,R,Ground 5"
16.23		90080050	150022322	Nut,R, KEPS 8-32
16.24		90382586	150022322	Label,R,Warning High Voltage
16.25		90382661	150022322	Label,R, Ground

CABINET AND VEND MECHANISM

(Section 1)



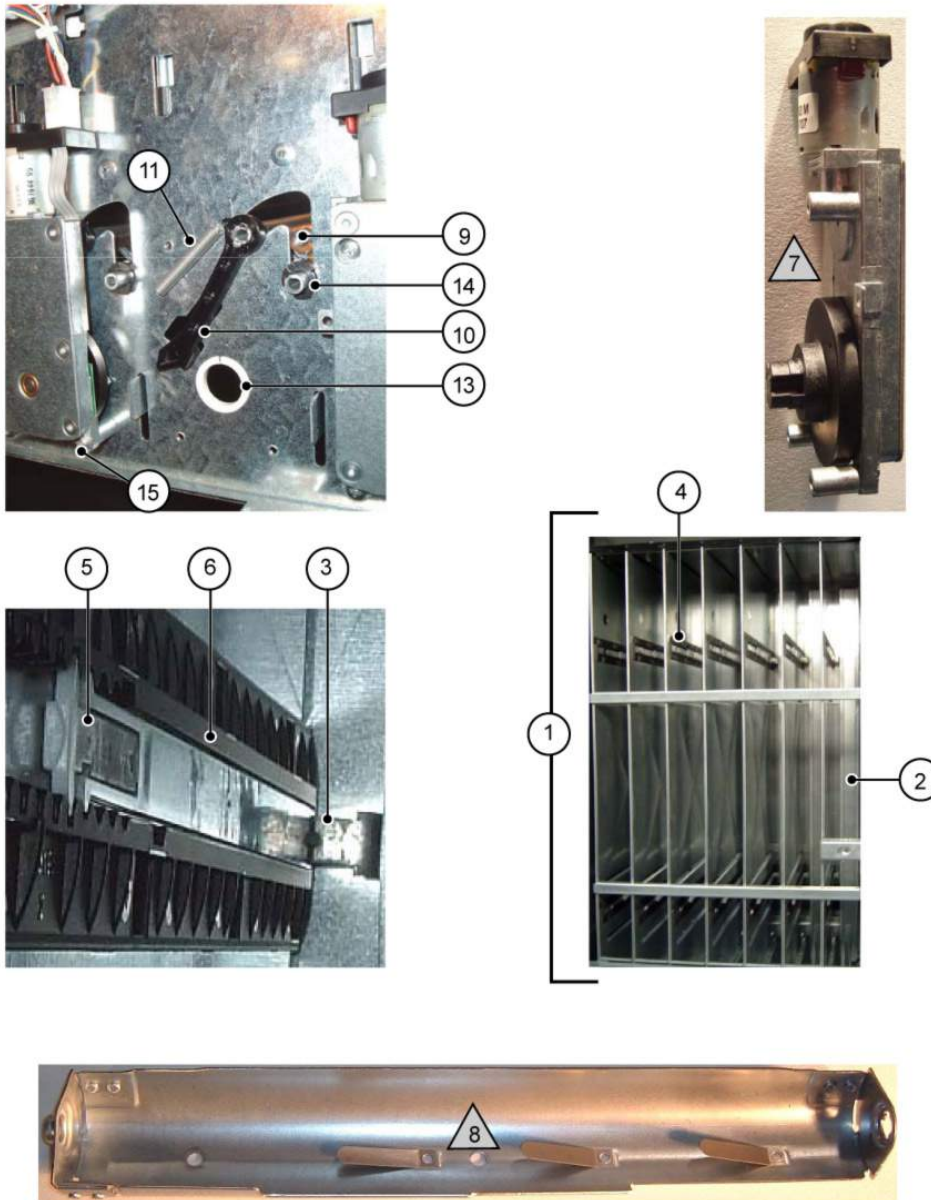
Item No.	CCP Part#	Mfg. Part#	CONA Material#	Description
NR	502738	MINIMAX400A	150009556	HEATER VENDOR MINIMAX 400A
1	1066408	60905140023K	150002213	HINGE TOP MAIN DOOR DNCB
1.1		64205340	150002213	Kit, Door Hinge Assembly, LMV
2		63105107	150002213	Cover, Hinge Pocket
3	124274	90330077	150017751	FOAM,BLOCK,R,EPS,2.5 X 1 X 4 IN
4		63105109	150017751	Top Hinge (Main Door), Chameleon
4.1		63105109	150017751	Top Hinge (Main Door), LMV
5	542724	104902	150004253	SPACER HINGE TOP
6	116330	100005	150022188	BEARING,R,HINGE PINLESS
7		63115240	150022188	Hinge, Bottom Assembly (Main Door),Chameleon
7.1		64205180	150022188	Hinge, Bottom Assembly (Main Door), LMV
8	507985	103046	150008450	SLEEVE HINGE DN
9		80070173	150008450	Washer,R, Door Hinge
10		65107002	150008450	Stack Supports (4)
11		63907600	150008450	Ingress Guard Assembly
12	134545	102928	150010769	MULLION, R,PEG2

CABINET AND VEND MECHANISM (Section 1)

Item No.	CCP Part#	Mfg. Part#	CONA Material#	Description
13	140895	100651	150050549	CAP,MULLION,PEG2
14	1067531	114450	150001739	TOP BREAKER STRIP
15		63902005	150001739	Breaker Strip - Left
16		63902009	150001739	Breaker Strip - Right
17	544446	103022	150003871	ROLLER DOOR MAIN
18	116548	100195	150022049	PIN,R,ROLLER,5/32 X 2-3/8 ZINC,B
19	500883	103016	150009922	RETAINER,ROLLER PIN
20		63907250	150009922	Lock Housing Assembly
21		65106100	150009922	Cabinet Assembly, Chameleon
21.1		65106110	150009922	Cabinet Assembly, LMV
22		64900001	150009922	Plate, Protective Left Side, Black
22.1		65105046	150009922	Plate, Protective Left Side, Red
23		64900002	150009922	Plate, Protective Right Side Cabinet, Black
23.1		64900008	150009922	Plate, Protective Right Side Cabinet. Red
24		63906040	150009922	Tank Bottom
25		N/A	150009922	CABINET AND VEND MECHANISM - MISCELLANEOUS
25.01	542301	100020	150004311	BOLT,CARRIAGE,1/4-20 X 1-1/4
25.02	116354	100025	150022166	BOLT,R,CARRIAGE,5/16-18 X 1 1/4
25.03	540781	80030426	150004657	SCREW,TAP,1/4-20 X 1HX SEMS,TYPE F
25.04	116251	100158	150022229	NUT,HEX,5/16-18 CNTR W/FLNG B
25.05	135324	101288	150034441	LEG,LEVELING, 5/8-11X2-1/16*B
25.06		80388746	150034441	Side Decals Coca-Cola 2008
25.07		80386978	150034441	Side Decals Dasani 2003
25.08	506285	100233	150008767	RIVET DRIVE
25.09	509106	100232	150008216	RIVET BH 1/4IN ALUM.
25.1		80181969	150008216	Hole Plug, Snap In - 1 1/8 Black
25.11	507995	100159	150008446	NUT,R,HS SQUARE
25.12		80541164	150008446	Shipbase,R,34 7/8" Export FLS E Brown (2)
25.13	1066133	100174	150002346	NUT CAGE TRADITIONAL
25.14	506275	100266	150008770	SCREW,#8-32X3/8 PHLPAN,TYPE1 B
25.15	501322	80030436001		SCREW

CABINET AND VEND MECHANISM

(Section 2)

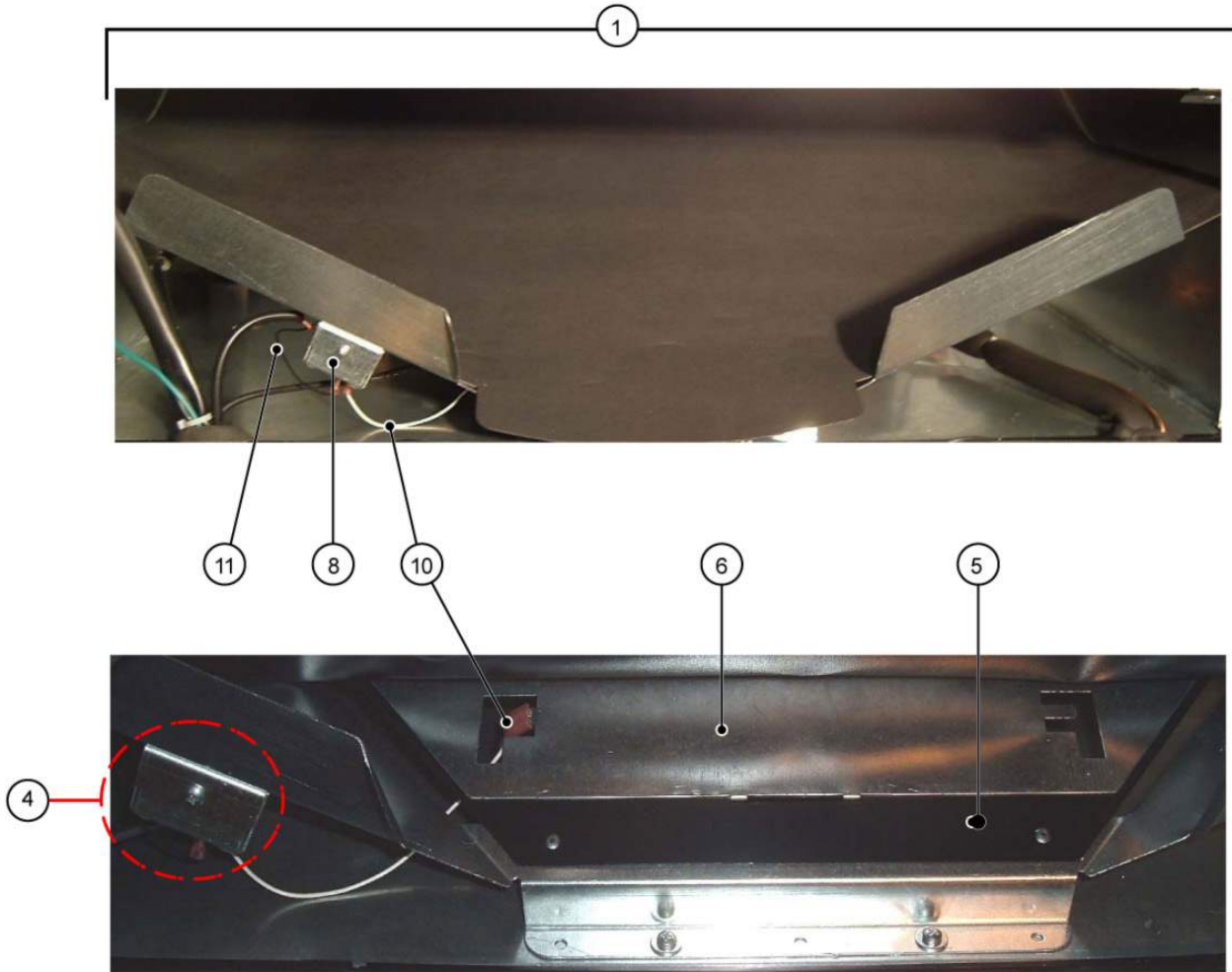


Item No.	CCP Part#	Mfg. Part#	CONA Material#	Description
1		65107020		Stack Assembly, Except Italy
2	143113	105329	150054385	SPACER,REAR COLUMN,NARROW,PEG,ASSY
3	126098	101695	150016467	BRACKET,R,REAR SPACER,NARROW
4	126095	102860	150016470	GUIDE,R,CHANNEL REAR SPACER P
5	126096	102896	150016469	LATCH,R,REAR SPACER,PEG
6	126097	102858	150016468	GUIDE,ARMP,ASSY,BLACK
7	113742	101068	150023346	MOTOR, VEND ASSY NARROW ELECTRONIC
8	113733	101828	150023354	ROTOR, VEND NARROW COLUMN
9	113732	102916	150023355	BAR, LOAD STEEL
10	113740	101682	150023348	ARM, PUSH
11	113743	100407	150023345	SPRING, PUSH ARM
12	113734	102937	150023353	NYLINER, .312
13	113708	102936	150023368	NYLINER, .750
14	113735	100040	150023352	BUSHING, .312 LOAD BAR
15		80030492	150023352	Screw, Phil Pan 8-32x1 (3)
16		63907270	150023352	Vend Motor Cover

CABINET AND VEND MECHANISM (Section 2)

Item No.	CCP Part#	Mfg. Part#	CONA Material#	Description
17	113741	63907014	150023347	EXTENSION, FRONT GATE NARROW
18		63907068	150023347	Air Baffle - KYDEX, All Wide
19		596	150023347	Harness,R,Stack
20		N/A	150023347	CABINET AND VEND MECHANISM (Section 2) - MISCELLANEOUS
20.01	116132	100229	150022322	RIVET,R,1/8 STEEL ZINC PLT B
20.02		80110079	150022322	Rivet,R,3/16 Steel Zinc Plate (44)
20.03	501322	80030436001		SCREW
20.04	506275	100266	150008770	SCREW,#8-32X3/8 PHLPAN,TYPE1 B
20.05		80387601	150008770	Label,R,Upper Fill Narrow Column, Upper (2)
20.06		80387603	150008770	Label,R,Upper Fill Narrow Column, Lower (2)
20.07		90190106	150008770	Tie,R,5.5" Hand
20.08		80387119	150008770	Label,R,Vend Motor
20.09		63907076	150008770	Kit, ID Number Labels
20.1		90190106	150008770	Tie,R, 5.5" Hand

CHUTE ASSEMBLY

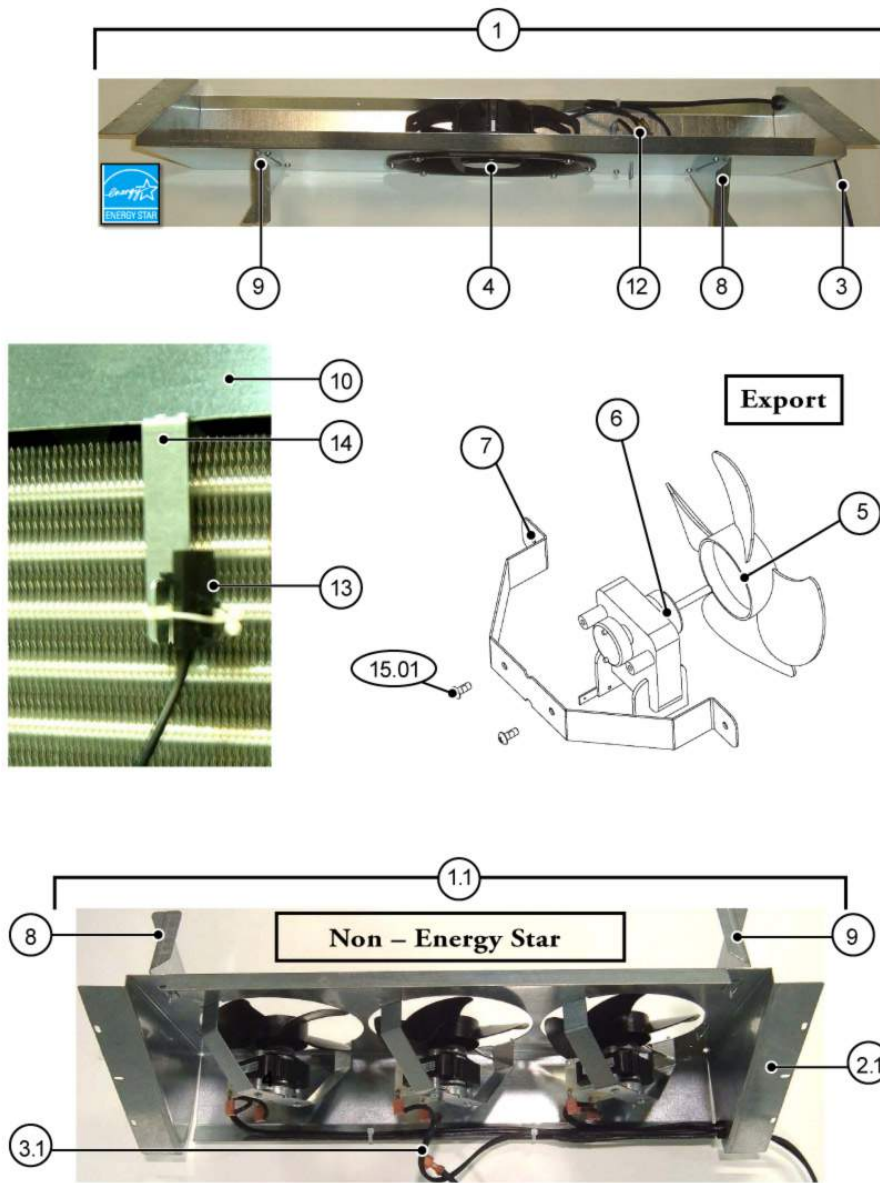


Item No.	CCP Part#	Mfg. Part#	CONA Material#	Description
1		63907280	150008770	Chute Assembly, Chameleon
1.1		63907120	150008770	Chute Assembly, LMV
2		80570253	150008770	Chute, Chameleon
2.1		63907052	150008770	Chute, Export,LMV
3		80190478	150008770	Liner, Chute, Chameleon
3.1		80190471	150008770	Liner, Chute, Export,LMV
4		63901000	150008770	Vend Sensor Assembly, Service Kit
5.1		63907033	150008770	Support, Sensor Plate, Chameleon
5.2		63907037	150008770	Support, Sensor Plate, LMV
6		63907034	150008770	Vend Sensor Plate, Chameleon
6.1		63907038	150008770	Vend Sensor Plate, LMV
7		63907039	150008770	Cover, Sensor Housing
8		63907041	150008770	Housing, Vend Sensor
9		80492526	150008770	Board, Vend Sensor
10		80492233	150008770	Jumper, Vend Sensor
11		80492437	150008770	Lead, Vend Sensor Black

CHUTE ASSEMBLY

Item No.	CCP Part#	Mfg. Part#	CONA Material#	Description
12		N/A	150008770	CHUTE ASSEMBLY MISCELLANEOUS
12.01		80190455	150008770	Standoff (4)
12.02	502411	100235	150009635	RIVET
12.03		80030434	150009635	Screw, 8-32x%, Swage Form
12.04	116132	100229	150022322	RIVET,R,1/8 STEEL ZINC PLT B
12.05	506277	80030423		SCREW SDRL
12.06	116132	100229	150022322	RIVET,R,1/8 STEEL ZINC PLT B
12.07	506277	80030423		SCREW SDRL

EVAPORATOR FAN ASSEMBLY

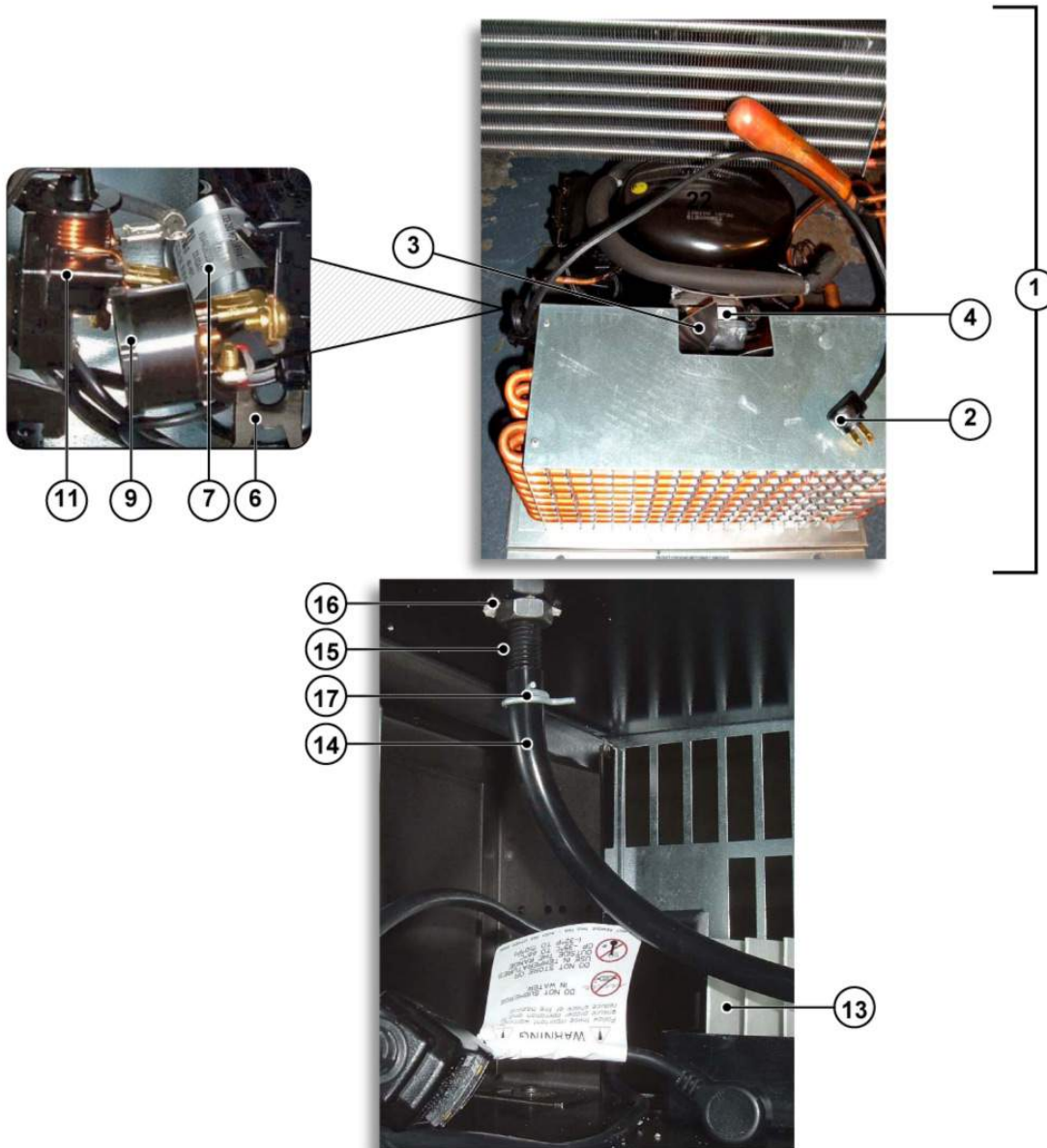


Item No.	CCP Part#	Mfg. Part#	CONA Material#	Description
1		63904150		Evaporator Fan Shroud Assembly, Energy Star
1.1		63904020		Evaporator Fan Shroud Assembly, except Energy Star
1.2		64604040		Evaporator Fan Shroud Assembly,Service Kits
1.3		63904070		Evaporator Fan Shroud Assembly, 220v Export
2		63904030		Evaporator Fan Shroud, except Energy Star
2.1		63904006		Evaporator Fan Shroud,Energy Star
2.2		63904030		Evaporator Fan Shroud,220v Export
3		80492173		Harness, Evaporator Fan, except Energy Star
3.1		80492633		Harness, Evaporator Fan, Energy Star
3.2		80492173		Harness, Evaporator Fan, 220v Export
4	133361	104721	150011469	EVAPORATOR,FAN,,ASSY,SHROUD WD EBM
4.1	118361	101100	150021057	FAN,EVAPORATOR,A,R,EBM PAPST 1850RPM
4.2		63904060	150021057	Evaporator Fan Motor Assy., 220v Export
5		N/A	150021057	Blade,R, Fan 6" 4-Blade Plastic
6		N/A	150021057	Motor,R, Evaporator Fan 220/50,60
7		N/A	150021057	Bracket, Evaporator Fan

EVAPORATOR FAN ASSEMBLY

Item No.	CCP Part#	Mfg. Part#	CONA Material#	Description
8		64004008	150021057	Bracket, Evaporator Fan Panel Left Hand
9		64004007	150021057	Bracket, Evaporator Fan Panel Right Hand
10		64004009	150021057	Cover, Evaporator Top
11		N/A	150021057	Rear Air Stop Assembly
12	115530	100699	150022633	CHOKER,CAP & MOV,120V,DN5000
13	125794	101155	150016680	SENSOR,R,ENCAP TEMP
14		63904004	150016680	Bracket, Temp Sensor
15		N/A	150016680	EVAPORATOR FAN ASSEMBLY - MISCELLANEOUS
15.01	506021	80030418001		SCREW SFTP
15.02	506275	100266	150008770	SCREW,#8-32X3/8 PHLPAN,TYPE1 B
15.03	506277	80030423		SCREW SDRL
15.04		80030428		Screw, 10-32x1 1/4" Phil Pan Type F B
15.05	504644	100316	150009094	SCREW,# 8 18 X 1/2 TRUSS TAP
15.06	501322	80030436001		SCREW
15.07	540791	80080154011		NUT KEPS
15.08	116132	100229	150022322	RIVET,R,1/8 STEEL ZINC PLT B
15.09		90090243	150022322	Clamp, Cable, 3/8" Nylon
15.1		90190106	150022322	Tie,R, 5.5 " Hand
15.11	113705	100049	150023370	BUSHING,3/4 SPLIT HEYCO
15.12		W223	150023370	Tie, 5.5 " Hand

REFRIGERATION SYSTEM



Item No.	CCP Part#	Mfg. Part#	CONA Material#	Description
1		80250249	150023370	A,R,Refrigeration Unit
2		80240185	150023370	Cord, Power Refrigeration Compressor
3		80240184	150023370	Blade, Fan Condenser - 230mm Aluminum
4		80240183	150023370	Motor, Condenser - 9W 115V/60Hz
5		N/A	150023370	Bracket, Condensor Fan Motor
6		80240182	150023370	Bracket, Capacitor
7		80240181	150023370	Start Capacitor
8		80240180	150023370	Cover, Board, Terminal
9		80240179	150023370	Overload - MRT 22AFZ-5590
10		N/A	150023370	Bracket, Overload
11		80240178	150023370	Assy, Relay. Except Italy
12		80240177	150023370	Terminal, Board
13	545133	114554	150003811	PAN DRAIN W/SOAKER
14	541984	101645	150004376	HOSE,DRAIN,BLK,PVC,VENDER
15	503380	101608	150009359	TUBE DRAIN
16	503381	100147	150009358	NUT,DRAIN TUBE, 5/8

REFRIGERATION SYSTEM

Item No.	CCP Part#	Mfg. Part#	CONA Material#	Description
17		80090327	150009358	Clamp, Drain Hose, HC-12
18		63904003	150009358	Bracket, Refrigeration Unit
19		N/A	150009358	REFRIGERATION SYSTEM MISCELLANEOUS
19.01		W223	150009358	Wire Tie, Twist, .56-.60 ID
19.02	501322	80030436001		SCREW
19.03	506277	80030423		SCREW SDRL
19.04	116132	100229	150022322	RIVET,R,1/8 STEEL ZINC PLT B
19.05		80240162	150022322	End Cap, EmBraco #2075200
19.06		80240175	150022322	Screw, Capacitor Metric
19.07		80240176	150022322	Screw, Grounding
19.08		90460136	150022322	Terminal, Arkless
19.09		90383354	150022322	Label, Recoverable Substance
19.1	517027	103041	150006241	SILENCER DN
19.11	507398	100185	150008620	NUT SPEED FAN MOTOR
19.12	113705	100049	150023370	BUSHING,3/4 SPLIT HEYCO
19.13	504166	90200057	150009228	GROMMET COMPRESSOR
19.14	504164	90090188	150009230	CLIP RETAINER COMPRESSOR
19.15	504165	90180391	150009229	PLUG COMPRESSOR GROMMET
19.16	506021	80030418001		SCREW SFTP
19.17	506275	100266	150008770	SCREW,#8-32X3/8 PHLPAN,TYPE1 B
19.18	500878	100156	150009924	NUT,KEPS,1/4 20IN
19.19		90090243	150009924	Clamp,R,P Cable,Nylon, 3/8 ID