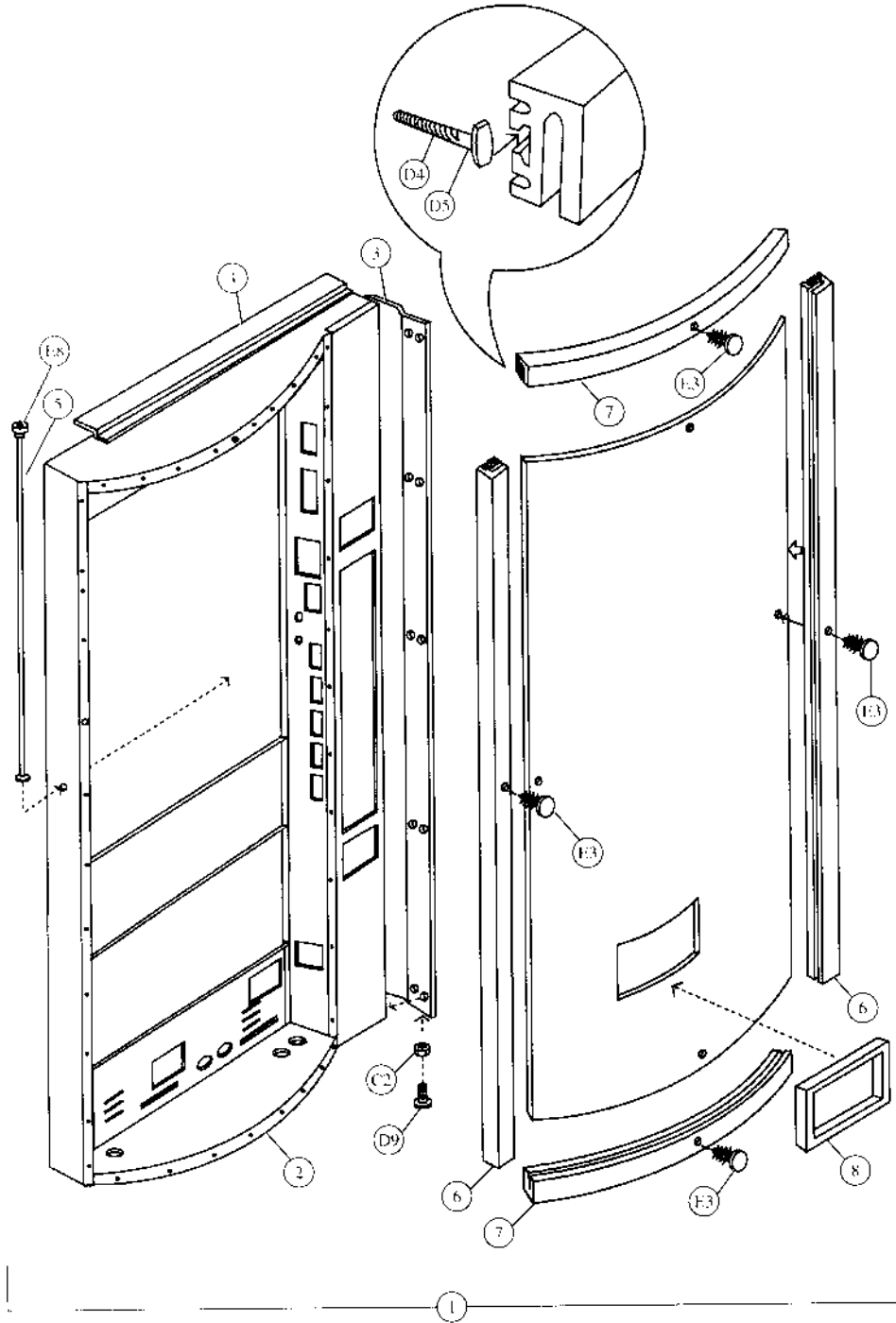


Pepsi (Magnum Cir.) DN CB 440MC, 432MC & 432WS

Dimensions	79 1/2" H x 37 1/8" W x 30 1/2" D (2019mm H x 940mm W x 775mm D)	
Dimensions Less Door	79 1/8" H x 37 1/8" W x 27 1/2" D (2019mm H x 940mm W x 698mm D)	
Approximate Weight	730 lbs. (331kg)	
Selections/Columns	432/432WS	6/6
	440	8/8
Total 12 oz. (330ml) Cans Capacity/Vend	432/432WS	444/432
	440	448/432
Column Capacity 12 oz. (330ml) Cans	432/432WS	6 Double Columns - 74 Each
	440	4 Double Columns - 38 Each 4 Double Columns - 74 Each

Main Door - Exterior - Pepsi (Magnum Circular)



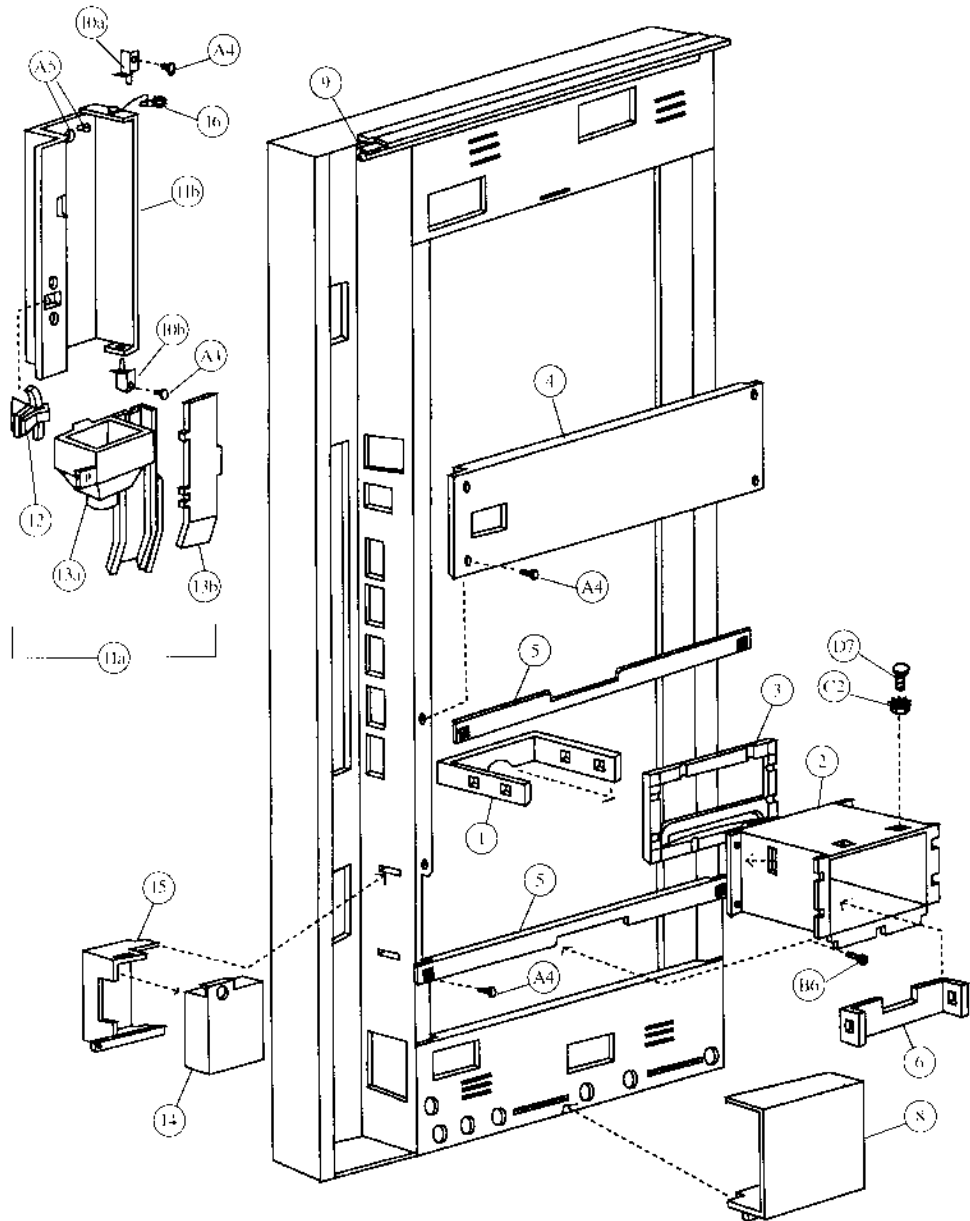
Main Door - Exterior - Pepsi (Magnum Circular)

Item	Part Number	Part Name And Description
1	See list below	Main Door Assembly (specify graphics & harness)
	480,150,000.03	440 (8 select) Main Door Assembly
	533,150,000.03	432/432WS (6 select) Main Door Assembly
2	See list below	Main Door Weld Assembly
	480,150,100.03	440 (8 select) Main Door Weld Assembly
	480,150,100.03	432/432WS (6 select) Main Door Weld Assembly
3	164,150,331.43	Protective Plate Door
4	164,151,142.33	Rain Guard
5	900,502,510.11	Tie Rod
6	801,805,470.01	76 7/16" (1941mm) Vertical Trim LS & RS
7	801,805,470.01	29 1/16" (738mm) Horizontal Trim (top & bottom)
8	801,602,860.31	Delivery Port Trim (black)

F8	900,800,510.01	Elastic Stop Nut #8 - 32
D4	900,400,410.01	T-Bolt #8 - 32 x 1 3/8
D5	900,400,350.31	T-Bolt #8 - 32 x 3/4 (46)
E3	900,902,130.01	Christmas Tree Clip (4)
D9	900,201,450.01	Carriage Bolt 1/4 - 20 x 1/2 (10)
C2	900,800,670.01	Keps Nut 1/4 - 20 (10)
C3	900,800,500.01	Keps Nut #8 - 32 (60)

When Ordering Parts, Indicate Model # And Serial # Of Vender.
 All Parts Numbers And Prices Are Subject To Change Without Notice.

Main Door - Interior - Pepsi (Magnum Circular)

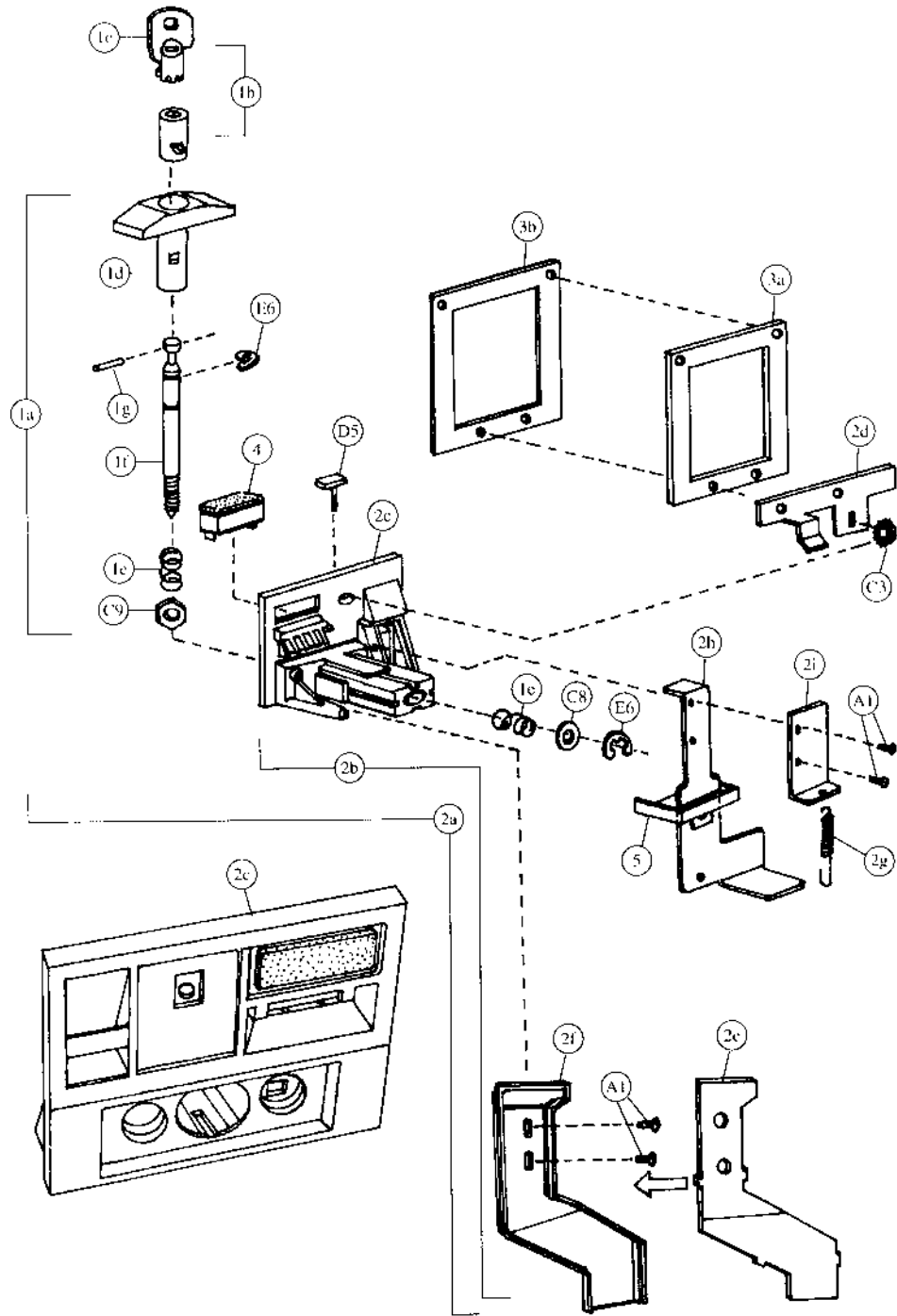


Main Door - Interior - Pepsi (Magnum Circular)

Item	Part Number	Part Name And Description
1	399,050,240.03	Discharge Member
2	801,806,030.61	Delivery Port (black frame)
3	801,805,500.21	Port Spacer
4	453,150,010.23	Center Door Stiffener
5	480,050,060.03	Delivery Port Stiffener
6	432,010,510.13	Closure Strip
7	901,901,890.01	1" Clamp (not shown)
8	432,050,660.03	Cover Wire Plug
9	903,600,530.01	L-Profile Gasket
10a	432,051,000.03	Access Door Top Hinge, w/a
10b	432,051,101.63	Access Door Bottom Hinge, w/a
11a	491,050,600.03	Access Door Assembly
11b	432,150,030.33	Access Door
12	901,902,130.11	Access Door Latch
13a	801,806,580.11	Coin Hopper and Chute
13b	801,806,590.11	Coin Chute Front
14	432,051,800.03	Cash Box, w/a
15	432,050,181.43	Cash Box Shelf
16	804,902,610.01	4" Ground Wire (102mm)

B6	900,301,650.01	Screw, Phil Pan (with washer) #8 - 18 x 1/2 (3)
C3	900,800,500.01	Keps Nut #8 - 32
A4	900,301,500.01	Screw, Phil Pan (without washer) #8 - 18 x 1/2 (9)
D7	900,201,170.01	Carriage Bolt 1/4 - 20 x 1 (6)
C2	900,800,670.01	Keps Nut 1/4 x 20 (6)
A9	900,301,560.01	Sems Screw #8 - 32 x 3/8
A5	900,301,970.01	Screw, Phil Pan #8 - 32 x 1/4 (3)
B4	900,201,140.01	Screw, Machine Truss #10 - 32 x 1/2 (2)
B9	900,800,650.01	Keps Nut #10 - 32 (not shown) (2)

Pull-Out Handle & Coin Insert - Pepsi (Magnum Circular)

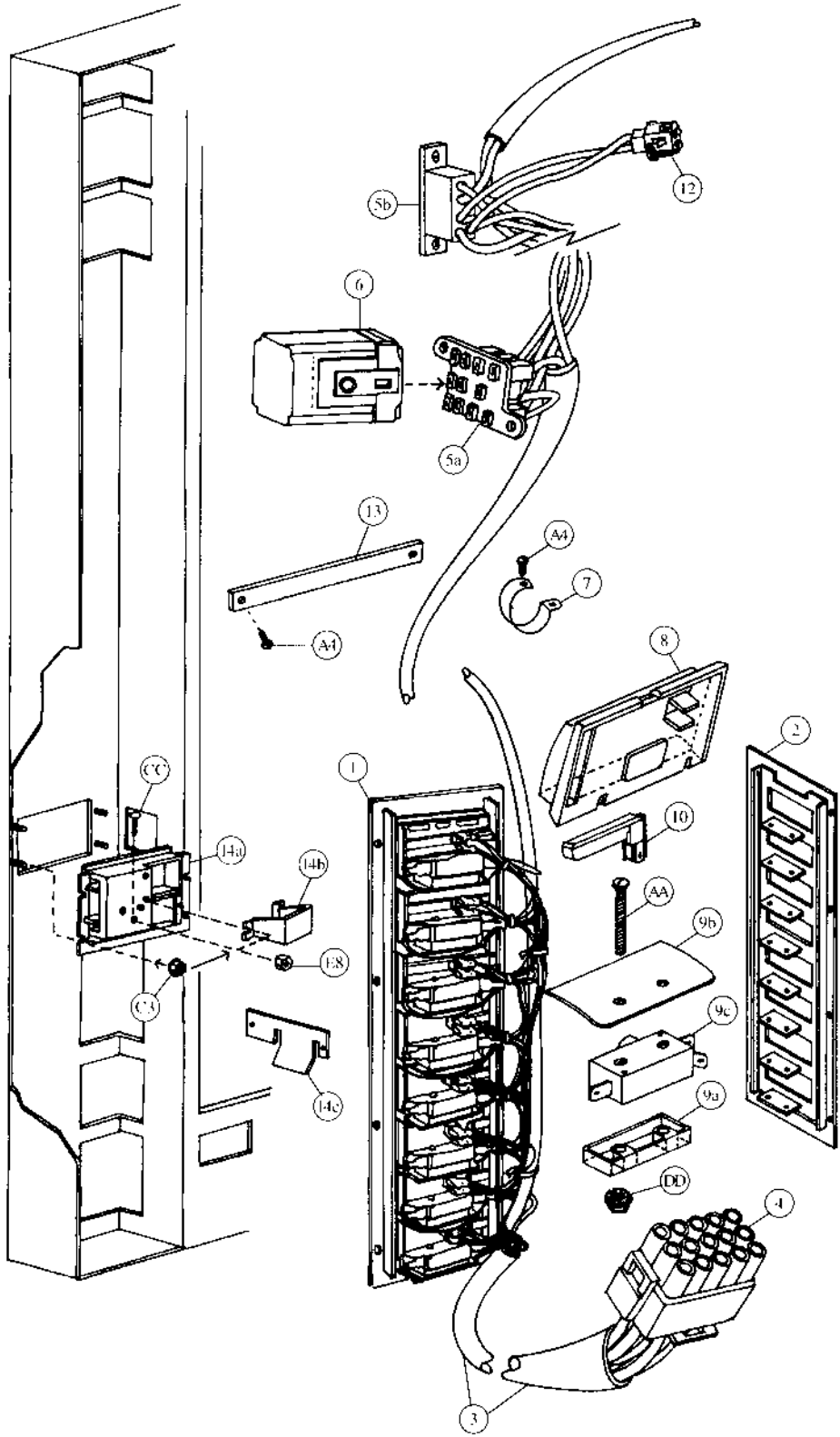


Pull-Out Handle & Coin Insert - Pepsi (Magnum Circular)

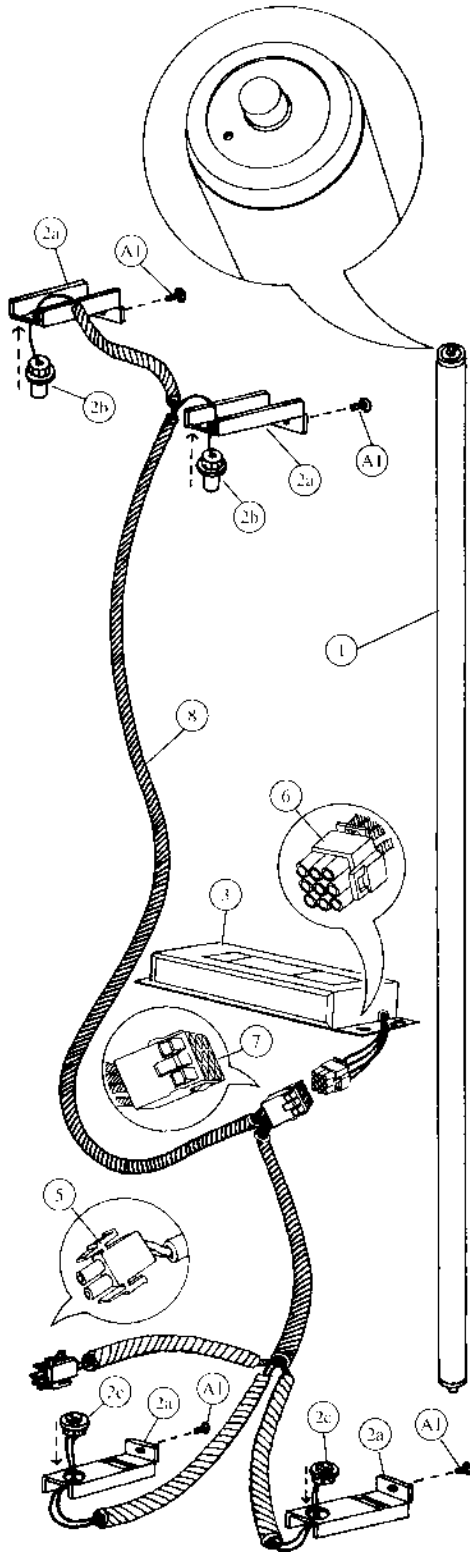
Item	Part Number	Part Name And Description
1a	801,503,040.01	T-Handle Assembly
1b	Specify key number	Lock with Two Keys
1c	Specify key number	Key Only
1d	801,505,730.01	Handle Only
1e	901,503,050.01	Spring
1f	4255-6-44W	Stud
1g	901,503,090.11	Cross Pin
2a	See list below	Coin Insert Assembly with T-Handle
	480,150,600.04	Domestic (USA & Canada)
2b	See list below	Coin Insert Assembly without T-Handle
	480,150,500.03	Domestic (USA & Canada)
	480,250,500.03	Export (all others except listed below)
	480,450,500.03	Mexico
	480,650,500.03	Argentina - Token
2c	See list below	Coin Insert
	801,201,180.31	Domestic (USA & Canada)
	801,201,190.41	Export (all others except listed below)
	801,201,290.21	Mexico
	801,201,350.11	Argentina - Token
2d	506,050,020.13	Coin Insert Retainer
2e	801,805,800.31	Coin Chute Cover
2f	801,805,790.61	Coin Chute
2g	901,700,630.11	Spring Extension
2h	453,050,800.03	Coin Return Plunger Assembly
2i	432,050,570.33	Plunger Bracket
3a	360,050,720.53	Validator Plate
3b	902,001,110.21	Gasket Validator (black)
4	See list below	Correct Change Lamp
	904,700,180.31	English "Use Correct Change"
	804,700,500.01	English, IEC Standard "Use Correct Change"
	804,700,440.01	Spanish "Importe Exacto"
	804,700,450.01	French "Faites L'Appoint"
	804,700,400.01	Italian "Usare Monete Contate"
	804,700,470.01	Arabic "Lutfen Para Atiniz"
	804,700,480.01	German "Abgezahletes Geld Verwenden"
904,700,490.01	Portuguese "Introduza Quantia Exacta"	
5	801,806,080.01	Drip Chute

E6	901,503,070.01	E Ring
C8	901,503,060.01	Flat Washer
C9	901,503,080.01	Hex Washer
A1	900,301,700.01	Scms Screw #6 - 32 x 3/8 (4)
C3	900,800,500.01	Keys Nut #8 - 32 (4)
D5	900,400,350.31	T-Bolt #8 - 32 x 3/4

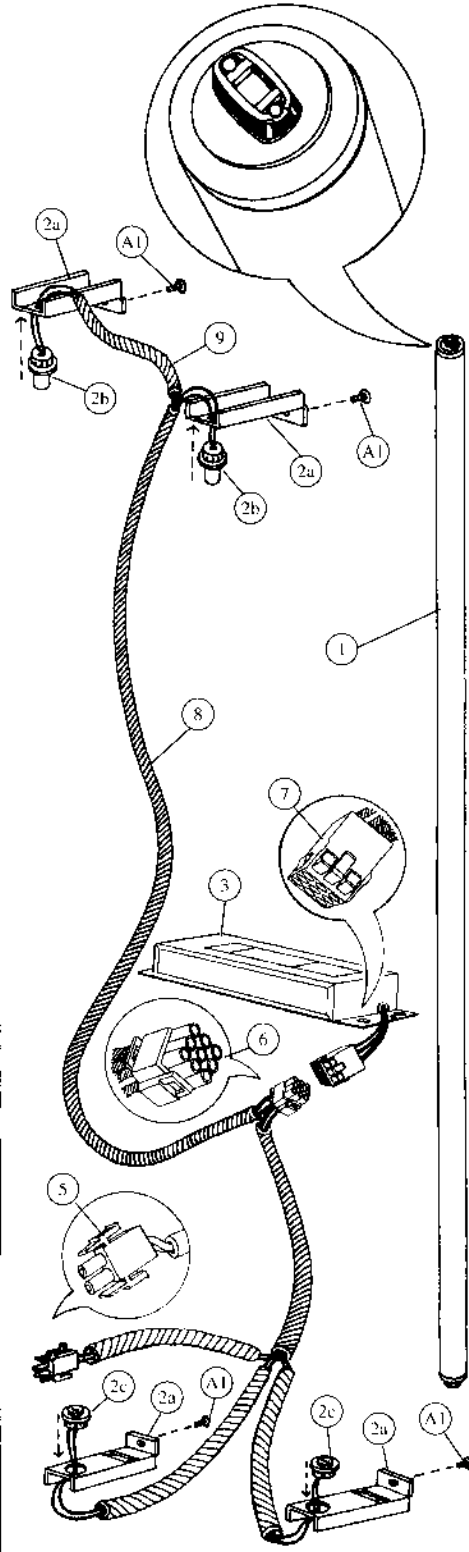
Select Panel - Pepsi (Magnum Circular)



Lighting - Pepsi (Magnum Circular)



Slimline



High-Output

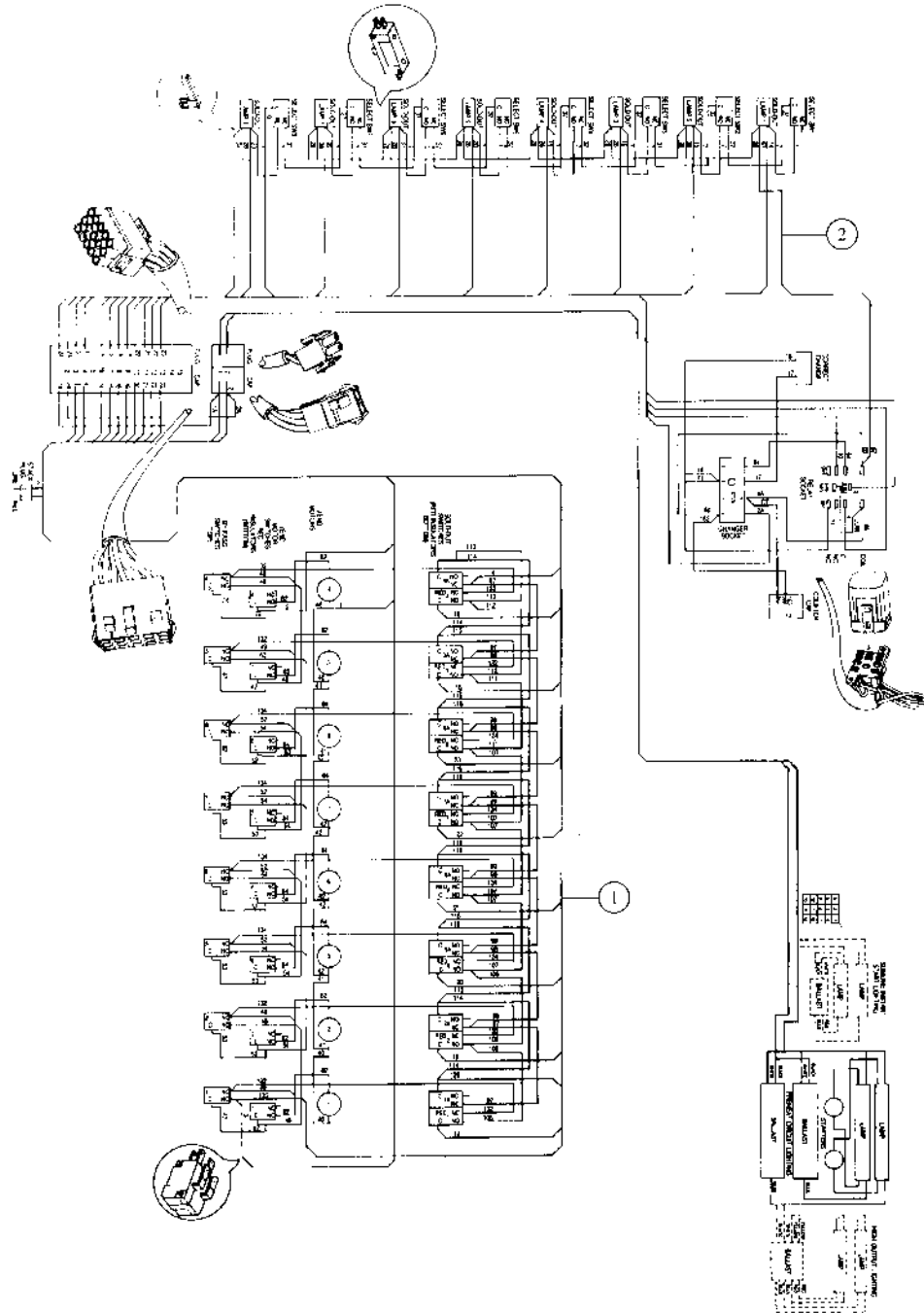
Lighting - Pepsi (Magnum Circular)

Item	Part Number	Part Name And Description
High-Output Lighting		
1	804,700,360.01	Fluorescent Bulb - F72T12/D/HO
2a	432,050,380.63	Door Bracket Lamp Socket
2b	804,901,990.01	Top Lamp Holders - 523
2c	804,902,000.01	Bottom Lamp Holders - 524
3	804,400,380.01	Plug-In Ballast, Advance #VSM/HO
4	904,800,520.01	Connector, Electrical (scotchlock 557)(not shown)
5	904,600,710.01	2-Way Plug
6	904,600,670.01	9-Way Plug
7	904,600,660.01	9-Way Cap
8	804,904,510.21	Plug-In Ballast Harness, High Output
9	804,904,920.21	Lamp Fixture Jumper, High Output

Slimline Lighting		
1	804,700,310.01	Fluorescent Bulb - F72T12/DAYLT
2a	432,050,380.63	Door Bracket Lamp Socket
2b	804,902,020.01	Top Lamp Holders - 516
2c	804,902,030.01	Bottom Lamp Holders - 517
3	804,400,370.11	Plug-In Ballast, Advance Slimline
4	904,800,520.01	Connector, Electrical (scotchlock 557)(not shown)
5	904,600,710.01	2-Way Plug
6	904,600,670.01	9-Way Plug
7	904,600,660.01	9-Way Cap
8	804,904,600.51	Plug-In Ballast Harness, Slimline

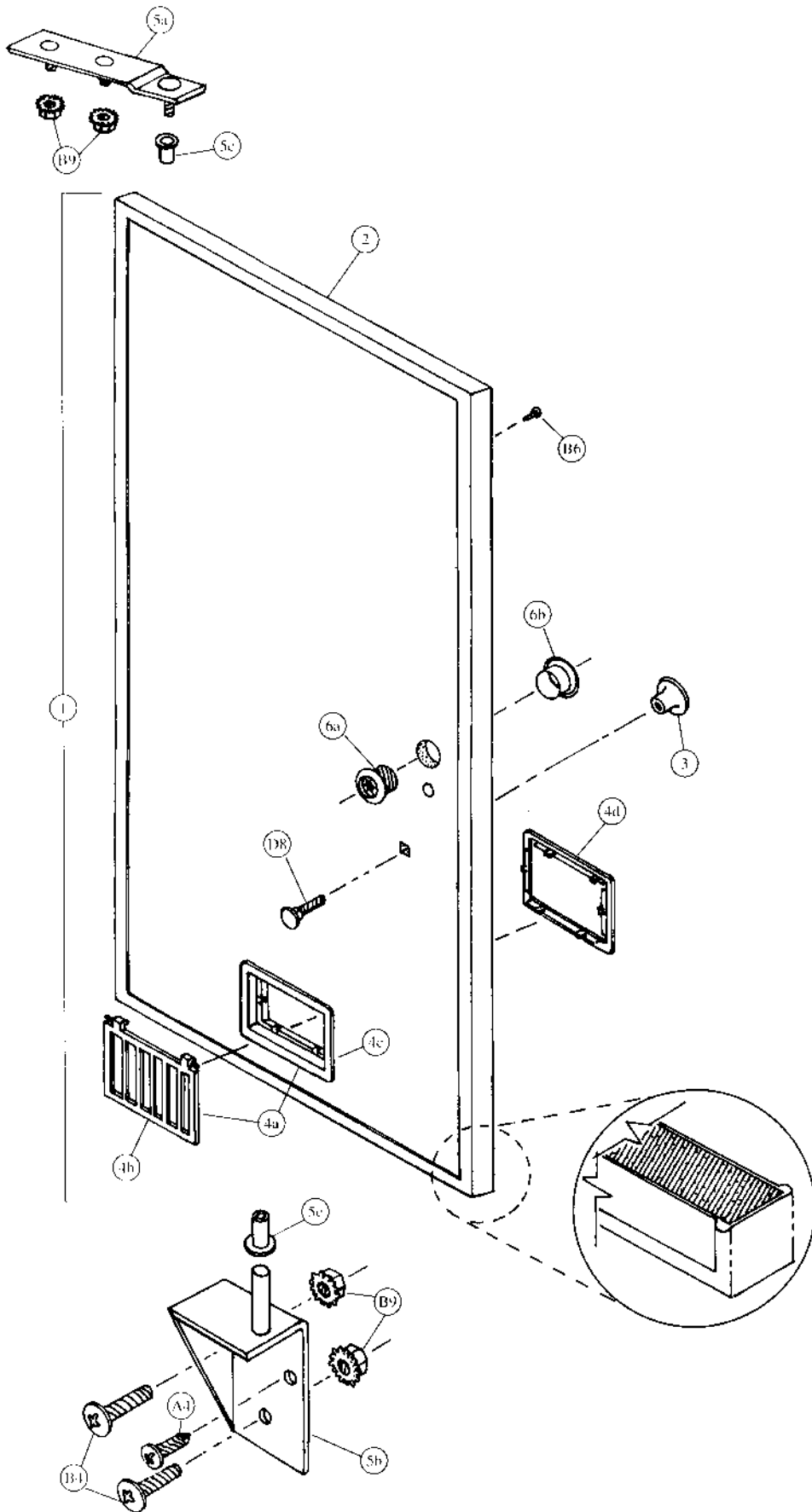
A1	900,301,700.01	Sheet Metal Screw #6 - 32 x $\frac{3}{8}$	(4)
----	----------------	---	-----

Wiring Harness - Pepsi (Magnum Circular)

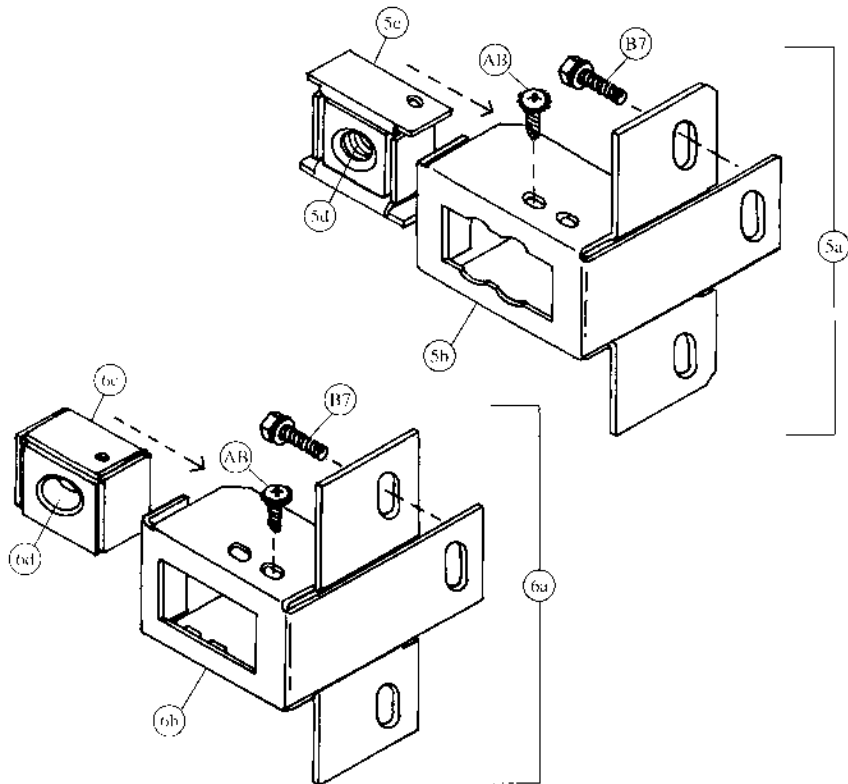
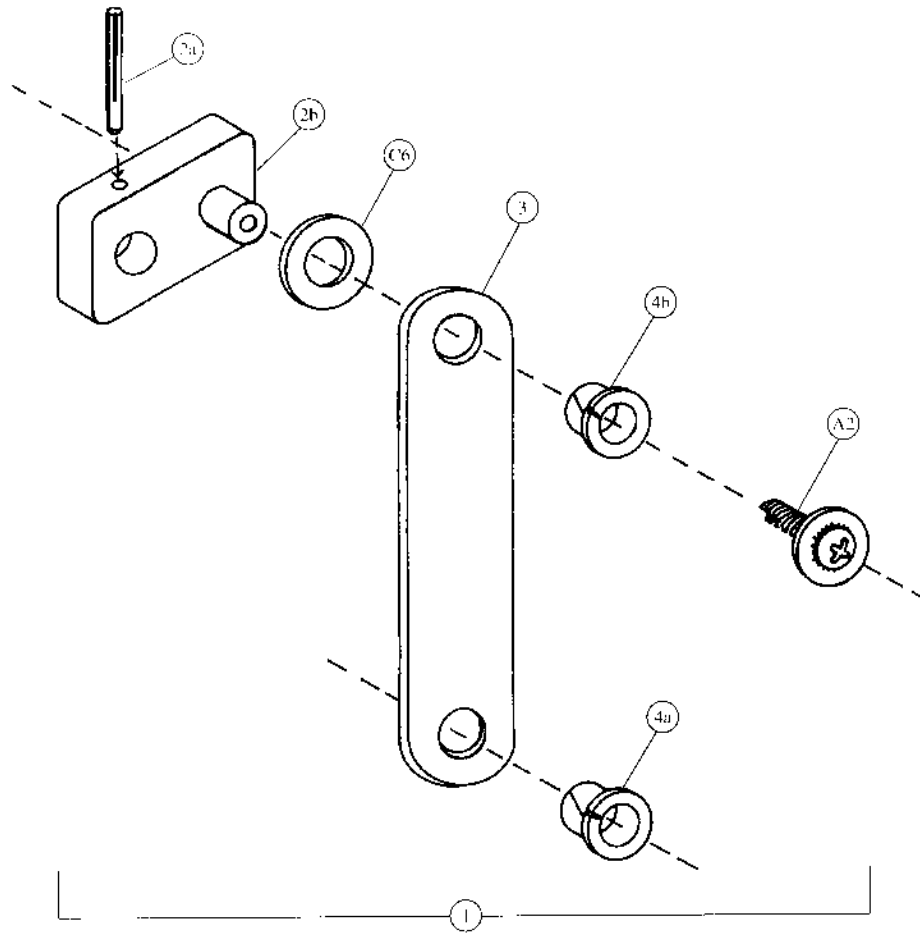


Sample Diagram
8 Column Dual Adaptable, Single Price

Inner Door - Pepsi (Magnum Circular)



Two-Bar Linkage & Nut Retainer Housing - Pepsi (Magnum Cir.)

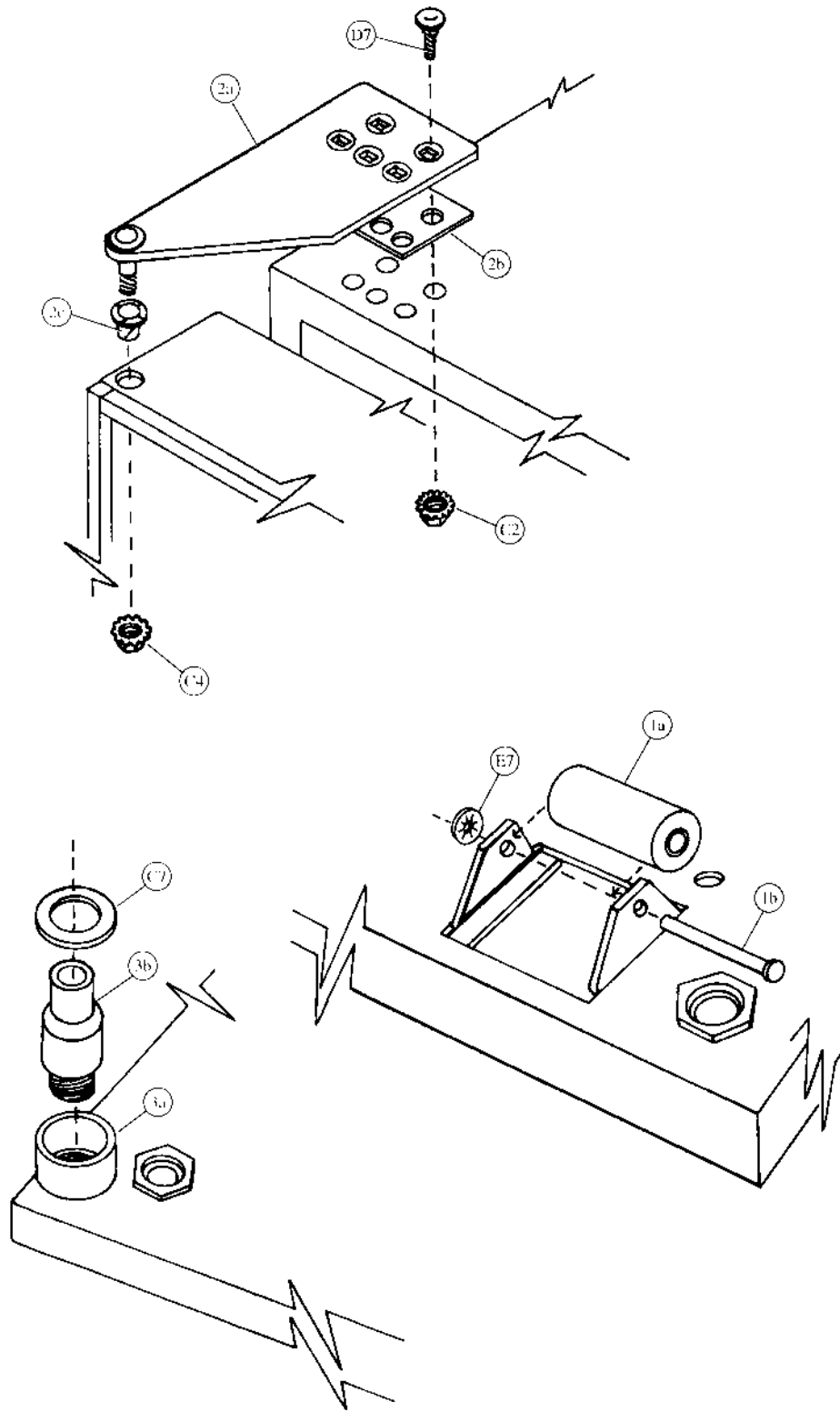


Cabinet & Vend Mechanism - Pepsi (Magnum Circular)

Item	Part Number	Part Name And Description
1	491,070,050.33	Vend Motor Cover, Wide
	491,071,200.23	Vend Motor Cover, Wide - IEC Standard
2a	See list below	Vend Motor Assembly, Wide
	491,070,300.03	Single Price
	491,170,100.03	Two/Four Price
2b	801,806,390.21	Vend Cam, Blue
2c	801,806,400.11	Adjustable Cam, Gold
3a	See list below	Vend Motor Assembly, Narrow (440 only)
	491,070,400.03	Single Price
	491,170,200.03	Two/Four Price
3b	801,806,180.21	Vend Cam, Brown (440 only)
3c	801,806,610.21	Adjustable Cam, Brown (440 only)
4	See list below	Vend Motor Switch
	804,100,600.01	Single Price (Double Switch)
	804,100,690.01	Single Price - IEC Standard (Double Switch)
	804,100,700.01	Two/Four Price - IEC Standard (Triple Switch)
5	905,800,330.11	Vend Motor Switch Insulator
6	801,201,211.61	Vend Rotor - Narrow Column (440 only)
7a	801,201,010.41	Vend Oscillator - Wide Column
7b	901,700,650.31	Can Retainer Oscillator
8a	801,803,170.01	Nyliner, Rear (not shown)
8b	901,804,230.01	Nyliner, Front - Wide Column only (not shown)
9	267,070,370.43	Wire Shield
10a	804,100,610.01	Sold Out Switch Assembly
	804,100,680.01	Sold Out Switch Assembly - IEC Standard
10b	432,070,190.13	Sold Out Paddle
10c	901,700,740.01	Sold Out Paddle Spring
11	491,020,070.33	Mechanism Support
12a	See list below	Evaporator Fan Motor Assembly
	491,000,200.03	115v
	491,140,400.03	220 - 240v
12b	See list below	Evaporator Fan Motor
	804,500,590.01	115v
	804,500,520.01	220 - 240v
12c	164,040,080.73	Evaporator Fan Motor Bracket
12d	801,303,270.11	Evaporator Fan Blade
12e	902,100,290.01	Silencer
13a	480,070,100.03	Can Chute Assembly (includes 13b & 13c)
13b	211,170,010.43	Can Chute
13c	211,070,020.43	Chute Liner (Kydex)
14a	903,300,770.01	Foam Block
14b	169,000,130.83	Hinge Pocket Cover
15	176,072,110.13	Journal

C1	900,901,510.02	Screw, Phil Pan Tapping	
A3	900,301,830.01	Sems Screw #10 - 32 x 3/16	(8)
A6	900,600,230.02	Sheet Metal Screw, Type "A"	
B8	900,301,690.01	Hex Tap Screw #8 - 32 x 3/8	(3)
A8	900,301,820.01	Vend Motor Screw #4 x 1 1/16 - Double Switch	(16)
	900,301,610.01	Vend Motor Screw #4 x 1 1/2 - Triple Switch	
A9	900,301,560.01	Sems Screw #8 - 32 x 3/8	(28)
E5	900,401,090.01	Grommet, Black Rubber #97	(3)
C5	900,800,850.01	Speed Nut	
B1	900,301,850.01	Sems Screw #8 - 32 x 3/8	

Hinges and Rollers - Pepsi (Magnum Circular)



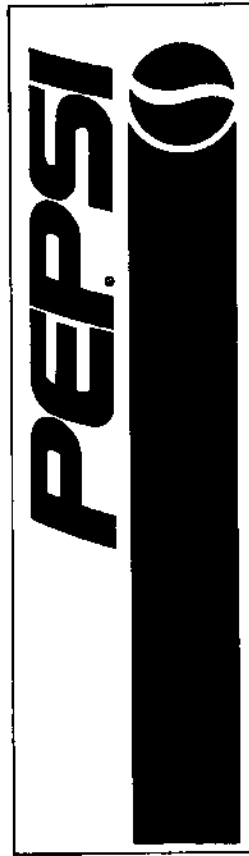
Refrigeration - Pepsi (Magnum Circular)

Item	Part Number	Part Name And Description
1	Provide information listed	Complete Refrigeration System: Indicate unit model number from serial plate on unit base plate, refrigerant, voltage/hertz and country.
2a	Provide information listed	Compressor 1/2 HP: Indicate compressor manufacturer, voltage/hertz, refrigerant and complete manufacturer's model number.
2b	See list below	Compressor Lead Harness (not shown)
	904,900,611.01	All, except IEC Standard
	804,905,320.01	220-240v/50hz, IEC Standard
2c	902,000,570.01	Compressor Mounting Grommet
2d	900,901,880.01	Compressor Mounting Retainer Clip
2e	901,803,910.01	Compressor Grommet Plug, Plastic
3a	491,040,040.43	Condenser Base Plate
3b	See list below	Condenser Fan Motor Assembly
	491,040,200.03	115v
	491,140,300.03	220-240v
3c	See list below	Condenser Fan Motor
	804,500,670.01	115v
	804,500,700.01	220-240v
3d	800,103,370.02	Fan Blade (not shown)
4a	491,000,100.23	Drain Pan Assembly (not shown)
4b	801,804,240.51	Drain Pan, Plastic (not shown)
4c	905,800,690.01	Soaker, Fiberglass (14) (not shown)
5a	491,040,050.53	Condenser Baffle, Right Side (not shown)
5b	491,040,060.63	Condenser Baffle, Rear
6a	801,806,050.11	Drain Tube
6b	900,301,790.01	Drain Tube Nut
7a	901,900,500.01	Drain Hose
7b	900,901,030.01	Drain Hose Clamp
8	See listing below	Main Wiring Harness
	804,902,220.01 (a)	United States (shown)
	804,905,480.01 (b)	Australia, IEC 335
	804,905,490.01 (c)	United Kingdom, IEC 335
	804,902,160.21 (d)	Europe
	804,903,160.01 (e)	Mexico
	804,905,450.01 (f)	Italy
	804,905,470.01 (g)	Danish, IEC 335
804,905,360.01 (h)	Germany, with Splashwater Protector	
9	211,040,030.13	Top Fan Housing
10	802,800,410.01	Temperature Control
11	491,040,110.33	Fan Shroud Condenser
12a	Provide information listed	Relay: Indicate compressor manufacturer, model # and voltage/hz
12b	Provide information listed	Overload: Indicate compressor manufacturer, model # and voltage/hz
13	802,401,240.01	Dryer
14	802,600,550.01	Condenser
15	802,600,370.51	Evaporator
16	802,400,460.01	Accumulator
17	802,800,420.01	Knob, Temperature Control
A6	900,600,230.02	Sheet Metal Screw, Type "A" (not shown) (2)
A9	900,301,560.01	Sems Screw #8 - 32 x 3/8 (8)
B3	900,301,810.01	Screw, #10 - 32 x 1 1/2
D1	900,700,360.01	Lockwasher, 3/8" (2)
F4	900,901,890.01	Tinnerman Clip (2)
D6	900,400,440.01	Refrigeration Bolt 3/8 - 16 x 1 (2)

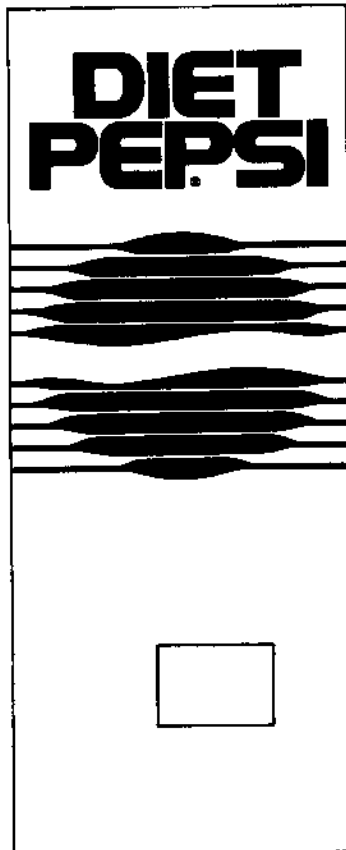
Signs and Decals - Pepsi (Magnum Circular)



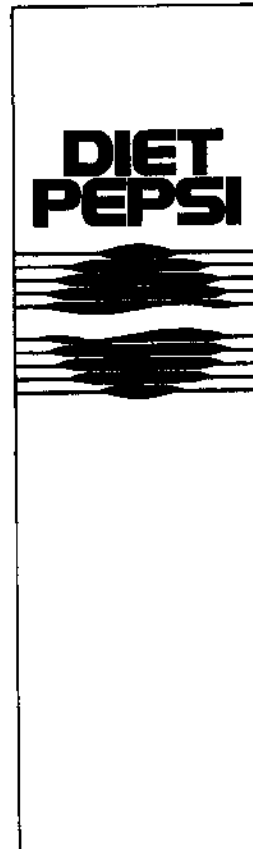
1



3

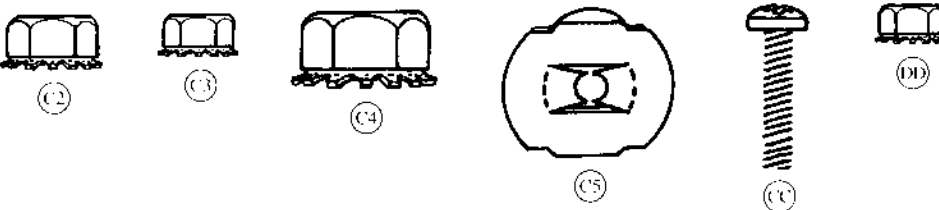
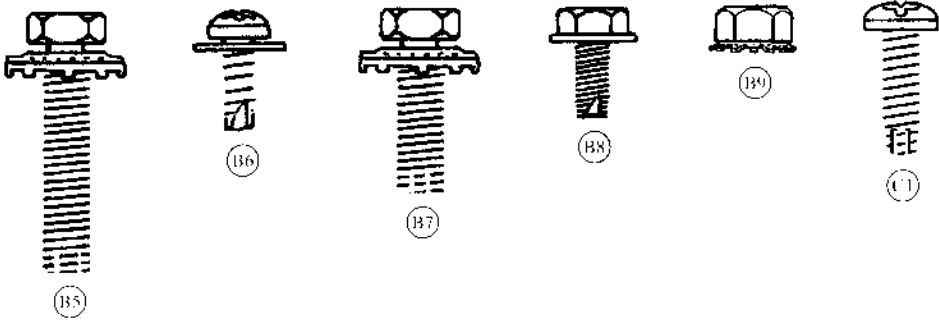
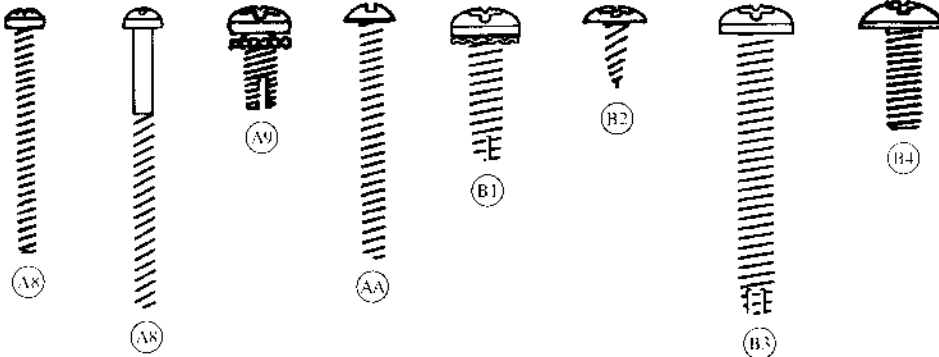
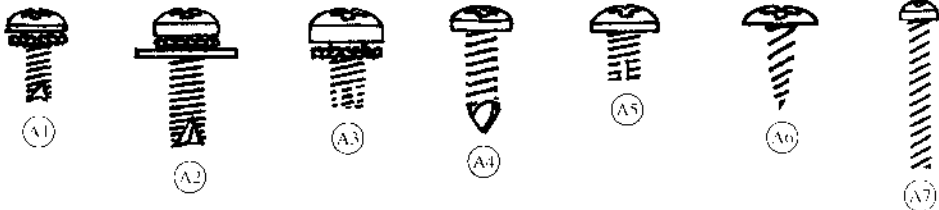


2



4

Screws & Nuts - Pepsi (Magnum Circular)



Washers, Bolts & Misc. - Pepsi (Magnum Circular)

