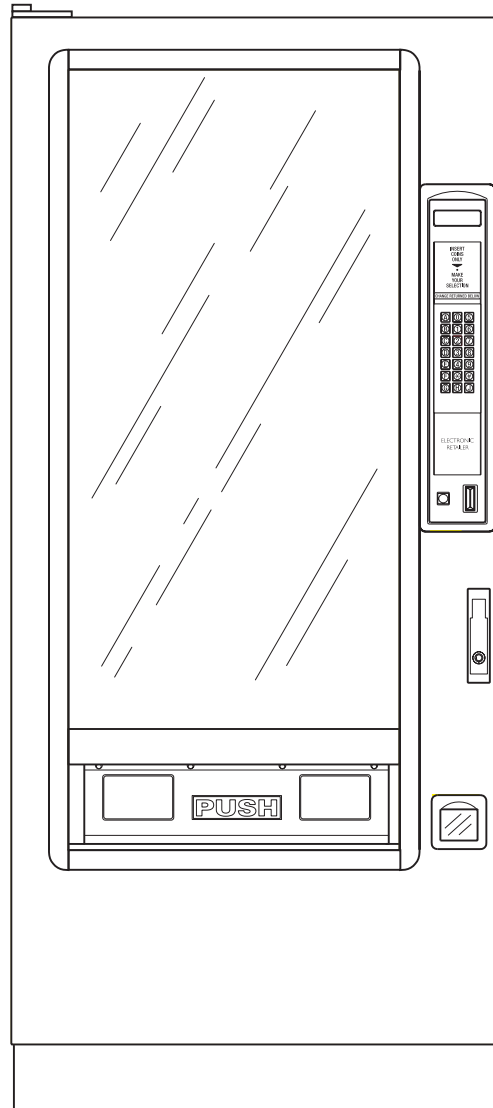


# Snack Vendor

Model 170-171



# PARTS MANUAL

# Snackvendor Models 170 - 171 Parts Manual

## LIST OF FIGURES

FIGURE 1.	170/171 MERCHANDISER .....	1
FIGURE 2.	OUTER DOOR ASSEMBLY .....	2
FIGURE 3.	DOOR LOCK AND HANDLE ASSEMBLY .....	4
FIGURE 4.	DOOR MISCELLANEOUS .....	6
FIGURE 5.	DOOR GLASS ASSEMBLY .....	8
FIGURE 6.	UPPER AND LOWER DOOR HINGE ASSEMBLIES .....	10
FIGURE 7.	DOOR CHECK .....	12
FIGURE 8.	FLUORESCENT LIGHT ASSEMBLY .....	14
FIGURE 9.	DELIVERY PAN ASSEMBLY .....	16
FIGURE 10.	GUM & MINT UNIT .....	20
FIGURE 11.	CABINET MISCELLANEOUS .....	26
FIGURE 12.	CANDY TRAY ASSEMBLY .....	32
FIGURE 13.	SNACK TRAY ASSEMBLY .....	34
FIGURE 15.	LEG, LEVELER AND LEG AND HINGE ASSEMBLIES .....	38
FIGURE 16.	MONETARY PANEL ASSEMBLY .....	40
FIGURE 17.	FACE PLATE ASSEMBLY .....	46
FIGURE 18.	POWER PANEL HOUSING .....	48
FIGURE 19.	POWER PANEL .....	50
FIGURE 20.	POWER CORD .....	52
FIGURE 21.	ACCESSORIES (BASE PLATE ASSEMBLY) .....	54
FIGURE 22.	ACCESSORIES (DOOR LOCK GUARD) .....	55
FIGURE 23.	ACCESSORIES (TRAY EXTENSION HARNESS) .....	56
FIGURE 24.	ACCESSORIES (DEX PRINTER INTERFACE HARNESS) .....	56
FIGURE 25.	WIRING HARNESSES .....	57

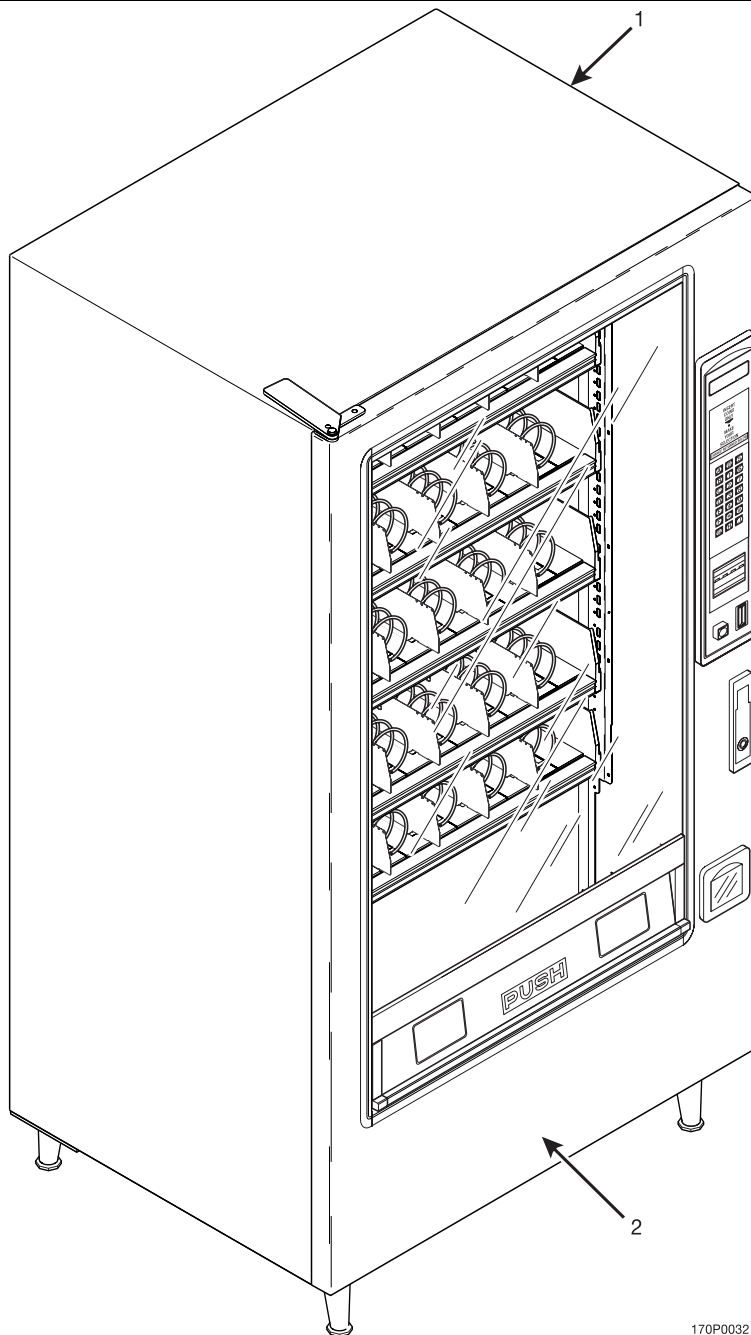
## LIST OF TABLES

TABLE 1.	170/171 MERCHANDISER .....	1
TABLE 2.	OUTER DOOR ASSEMBLY .....	3
TABLE 3.	DOOR LOCK AND HANDLE ASSEMBLY .....	5
TABLE 4.	DOOR MISCELLANEOUS .....	7
TABLE 5.	DOOR GLASS ASSEMBLY .....	9
TABLE 6.	UPPER AND LOWER DOOR HINGE ASSEMBLIES .....	11
TABLE 7.	DOOR CHECK .....	13
TABLE 8.	FLUORESCENT LIGHT ASSEMBLY .....	15
TABLE 9.	DELIVERY PAN ASSEMBLY .....	17
TABLE 10.	GUM & MINT UNIT .....	21
TABLE 11.	CABINET MISCELLANEOUS .....	27
TABLE 12.	CANDY TRAY ASSEMBLY .....	33
TABLE 13.	SNACK TRAY ASSEMBLY .....	35
TABLE 14.	SPIRAL OPTIONS .....	36
TABLE 15.	LEG, LEVELER AND LEG AND HINGE ASSEMBLIES .....	39
TABLE 16.	MONETARY PANEL ASSEMBLY .....	41
TABLE 17.	FACE PLATE ASSEMBLY .....	47
TABLE 18.	POWER PANEL HOUSING .....	49
TABLE 19.	POWER PANEL .....	51
TABLE 20.	POWER CORD .....	53
TABLE 21.	ACCESSORIES (BASE PLATE ASSEMBLY) .....	54
TABLE 22.	ACCESSORIES (DOOR LOCK GUARD) .....	55

# Snackvendor Models 170 - 171 Parts Manual

TABLE 1. 170/171 MERCHANDISER

INDEX	PART NUMBER	DESCRIPTION	QTY.
1	4521023	CABINET ASSEMBLY - N.V. BLACK (170)	1
	4531005	CABINET ASSEMBLY - N.V. BLACK (171)	
2	1702000	DOOR ASSEMBLY - COMMON (SEE FIGURE 2 FOR DETAILS)	1
	1602059	DOOR ASSEMBLY - COMMON - BLACK - MAXPAX (SEE FIGURE 2 FOR DETAILS)	



170P0032

Figure 1. 170/171 Merchandiser

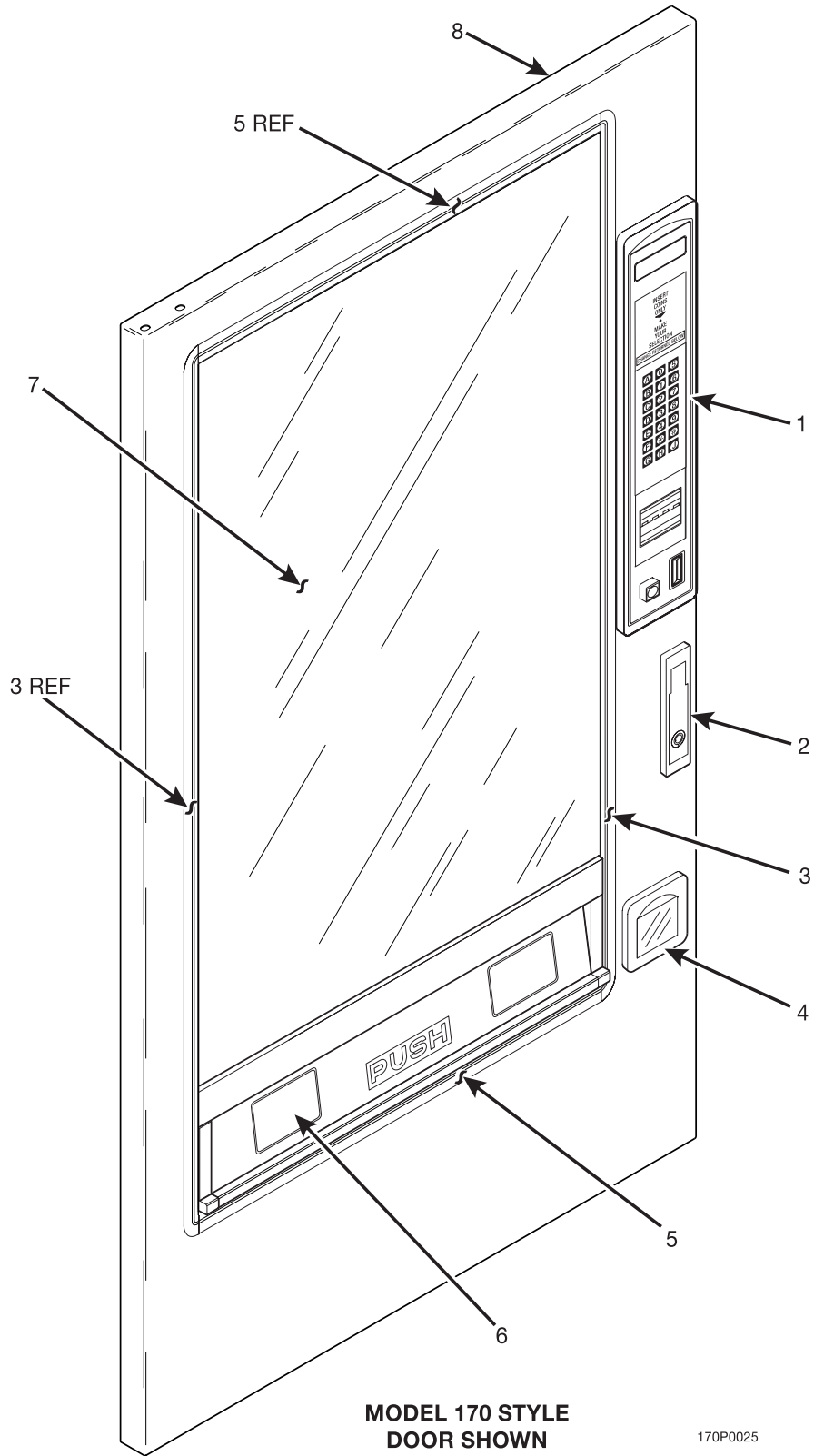


Figure 2. Outer Door Assembly

# Snackvendor Models 170 - 171 Parts Manual

**TABLE 2. OUTER DOOR ASSEMBLY**

INDEX	PART NUMBER	DESCRIPTION	QTY.
1	1595016	FACEPLATE ASSEMBLY - GPL (SEE FIGURE 17 FOR DETAILS)	1
2	-	DOOR LOCK ASSEMBLY (SEE FIGURE 3 FOR DETAILS)	1
3	1702002	DECAL - TRIM - VERTICAL - 52.25"	2
4	-	CUP - COIN RETURN (SEE FIGURE 4 FOR DETAILS)	1
5	1702001	DECAL - TRIM - HORIZONTAL - TOP - 38" (170)	2
	1712001	DECAL - TRIM - HORIZONTAL - TOP - 32" (171)	
6	-	FLAP VEND DOOR - NO G & M (SEE FIGURE 9 FOR DETAILS) (170)	1
	-	FLAP VEND DOOR - WITH G & M (SEE FIGURE 10 FOR DETAILS) (170)	
	-	FLAP VEND DOOR - NO G & M (SEE FIGURE 9 FOR DETAILS) (171)	
	-	FLAP VEND DOOR - WITH G & M (SEE FIGURE 10 FOR DETAILS) (171)	
7	1592074	DOOR GLASS ASSEMBLY (SEE FIGURE 5 FOR DETAILS) (170)	1
	1602056	DOOR GLASS ASSEMBLY (SEE FIGURE 5 FOR DETAILS) (171)	
8	1702007	WELD ASSEMBLY - DOOR "R" SERIES (170)	1
	1602057	WELD ASSEMBLY - DOOR "R" SERIES (171)	

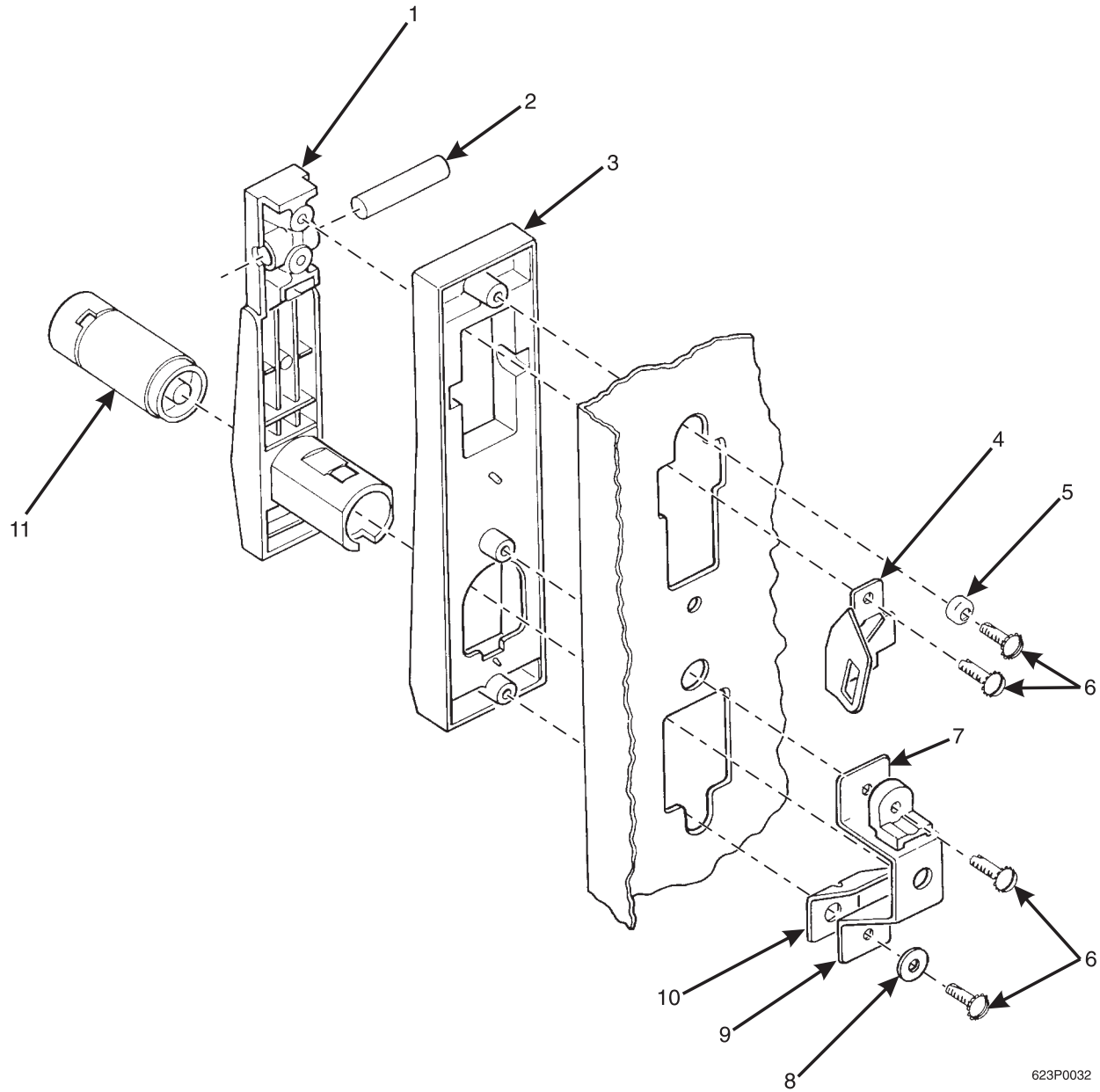
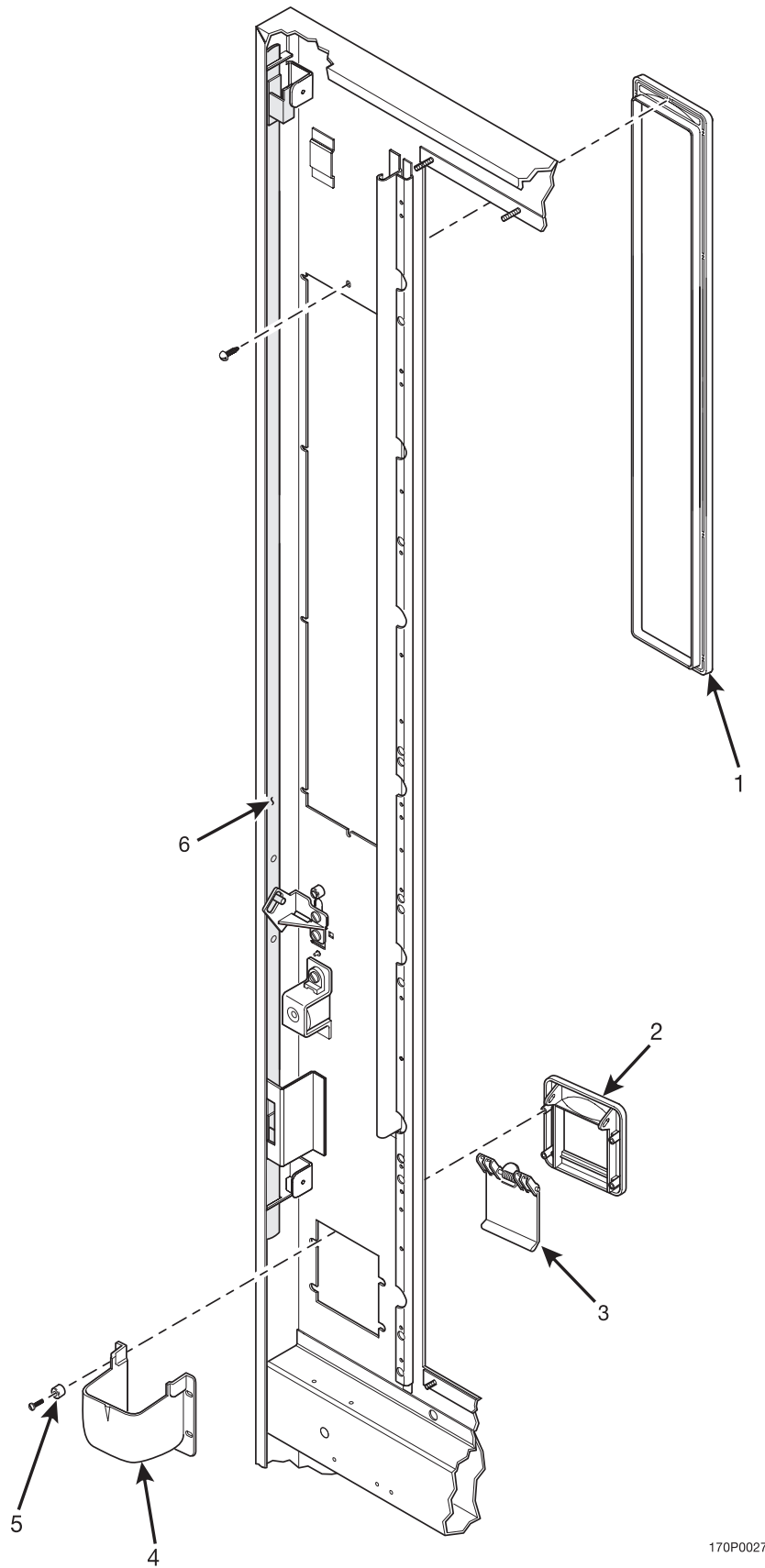


Figure 3. Door Lock and Handle Assembly

# Snackvendor Models 170 - 171 Parts Manual

**TABLE 3. DOOR LOCK AND HANDLE ASSEMBLY**

INDEX	PART NUMBER	DESCRIPTION	QTY.
1	1172190	LEVER - LOCK	1
2	1302291	PIVOT - LEVER LOCK	1
3	1172191	BASE - LEVER LOCK	1
4	2272052	ACTUATOR ASSEMBLY - LOCK BAR	1
5	1302289	CUP SPACER	1
6	1217161	SCREW, #10-32 X 1/2 RHS W/LW	5
7	1302326	SHIELD - LATCH	1
8	9900121	WASHER - STEEL - 7/16 X .203 X .032	1
9	1302324	CATCH - DOOR LATCH	1
10	1302290	LATCH - LOCK LOWER	1
11	9992400	CYLINDER - LOCK	1
	3112163	VAN LOCK	OPT.
-	3112164	KEY (NOT SHOWN) VAN LOCK APPLICATION (NOT SHOWN)	1 OPT.



170P0027

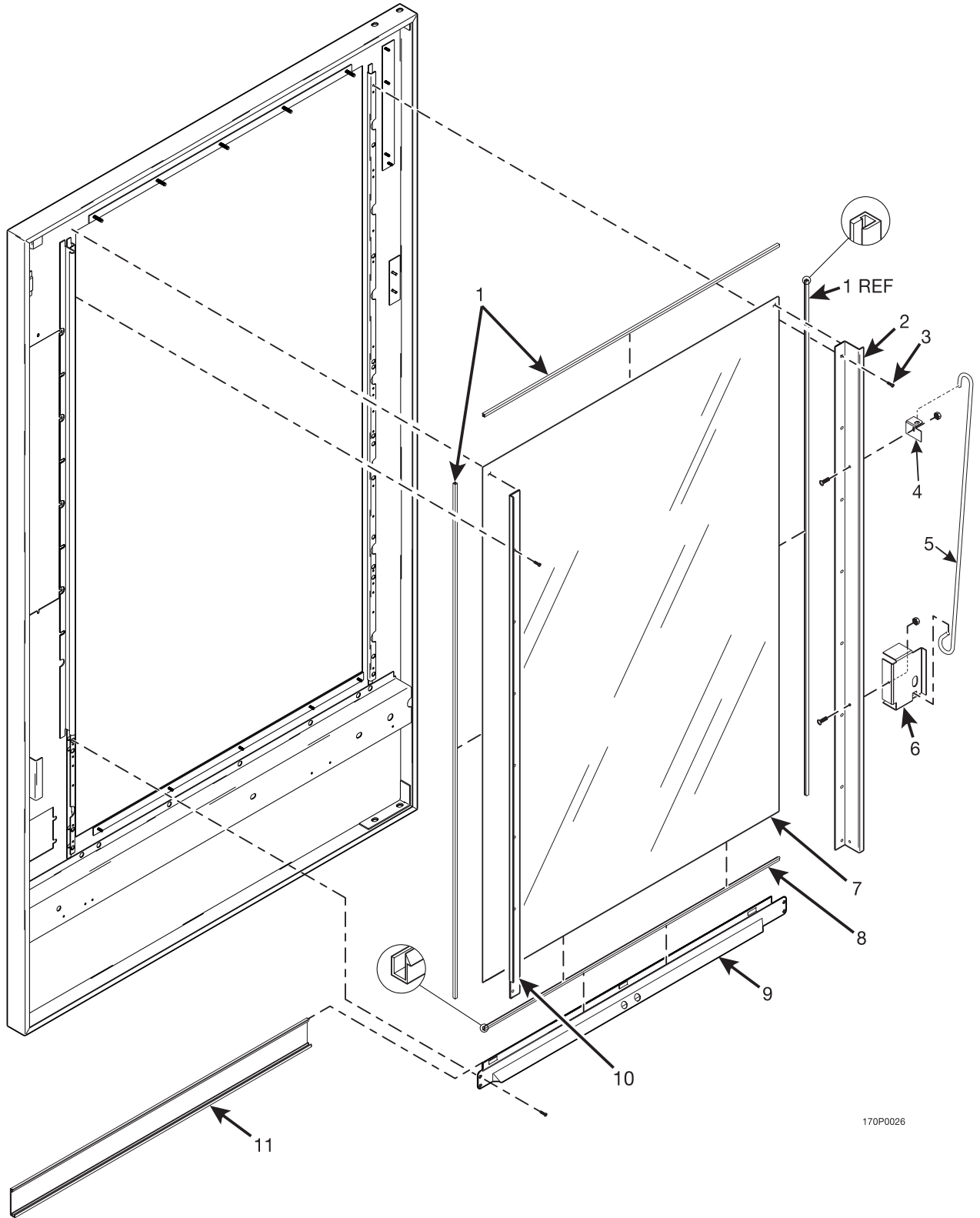
Figure 4. Door Miscellaneous



# Snackvendor Models 170 - 171 Parts Manual

TABLE 4. DOOR MISCELLANEOUS

INDEX	PART NUMBER	DESCRIPTION	QTY.
1	1575047	CASTING - MONETARY FRAME - BLACK RIDGE	1
2	1572011	TRIM - COIN CUP - BLACK	1
3	4245082	GATE - COIN RETURN	1
	4245083	SPRING - COIN RETURN DOOR	
	4245084	SHAFT - DOOR - COIN RETURN	
4	1572010	CUP - COIN RETURN	1
5	2302053	SPACER - CUP	1
6	1472178	LOCK BAR ASSEMBLY	1



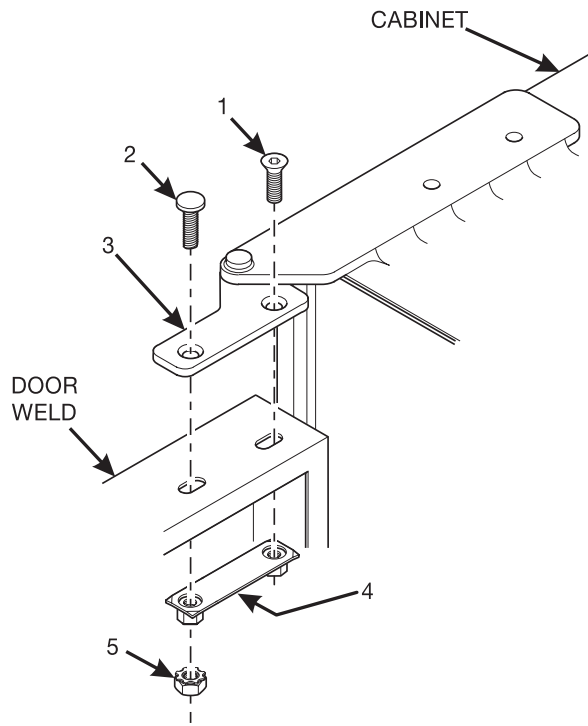
170P0026

Figure 5. Door Glass Assembly

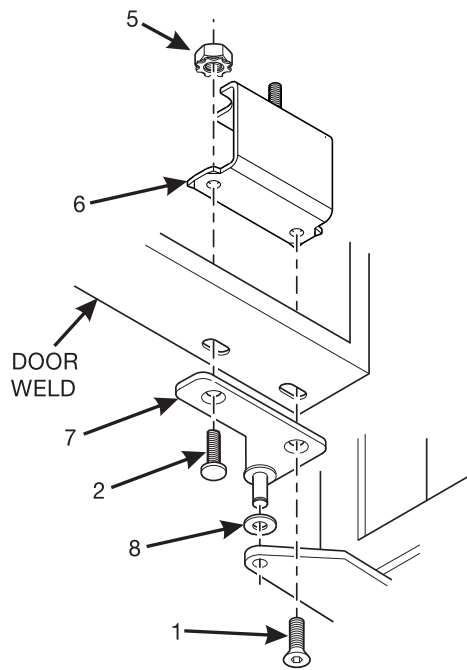
# Snackvender Models 170 - 171 Parts Manual

**TABLE 5. DOOR GLASS ASSEMBLY**

INDEX	PART NUMBER	DESCRIPTION	QTY.
		C NNEL L OR ERT	
		C NNEL L OR ERT 6 6	
		RET INER L L N C	
3		CRE 3 3 E T BL	
		RET INER RO PPORT CO ON IT NIT	
		RO PPORT IT NIT	
6		PPORT PROP RO CO ON IT NIT	
		I PL L IN E BL RE	
	3	I PL L IN E BL RE	
	3	C NNEL L LO ER	
	6	C NNEL L LO ER	
		C NNEL P NEL LO ER L	
	6	C NNEL P NEL LO ER L	
		PL TE L RET ININ	
		TRI P NEL LO ER	
	6	TRI P NEL LO ER	



**UPPER DOOR HINGE ASSY**



453P0013

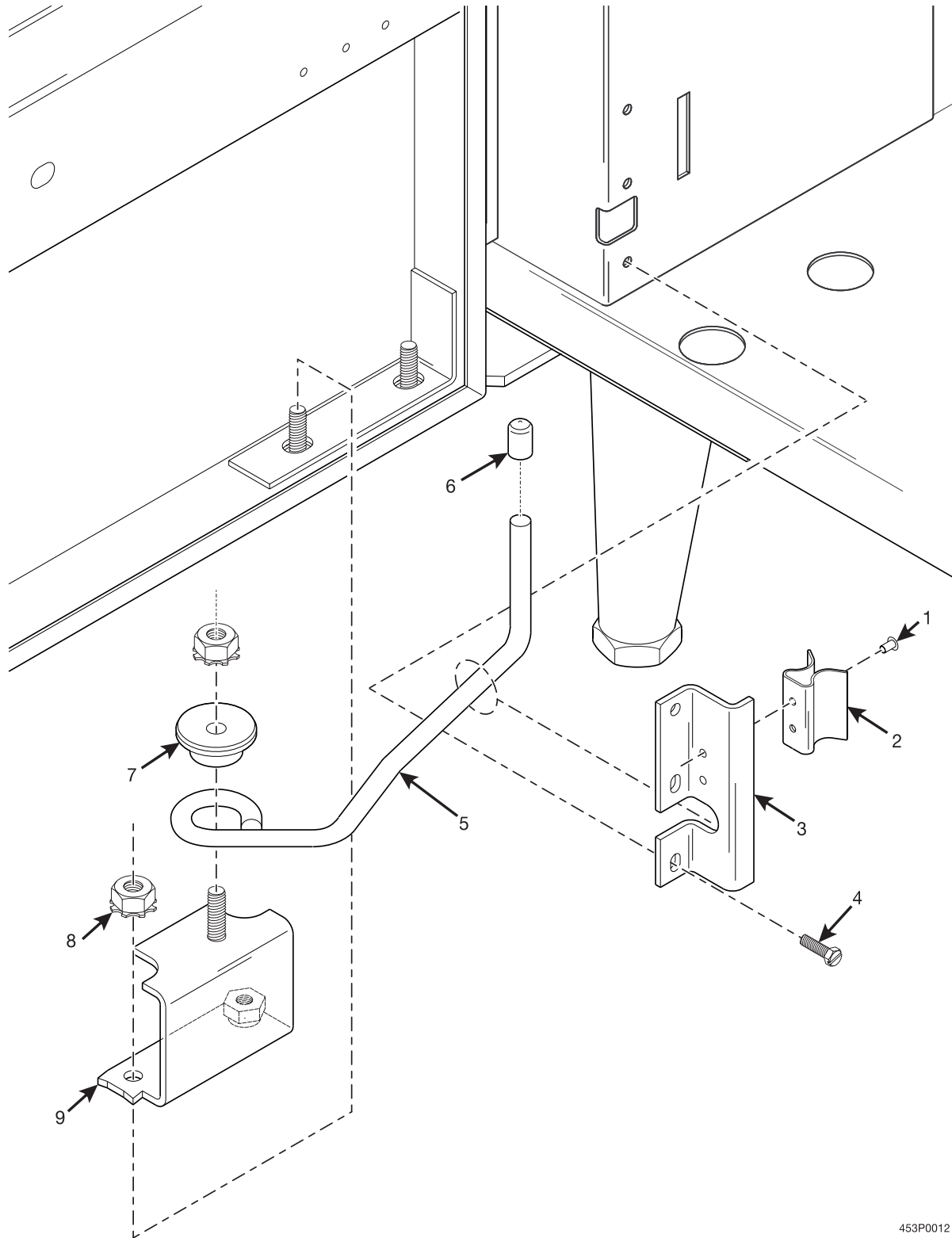
**LOWER DOOR HINGE ASSY**

Figure 6. Upper and Lower Door Hinge Assemblies

# Snackvendor Models 170 - 171 Parts Manual

TABLE 6. UPPER AND LOWER DOOR HINGE ASSEMBLIES

INDEX	PART NUMBER	DESCRIPTION	QTY.
1	6232036	SCREW - 5/16 - 18 X .75 FLT. HD SOCKET	2
2	6232208	WELD SCREW - #1/4 - 20 X 1" LG	2
3	1571098	HINGE ASSEMBLY - UPPER	1
4	6232028	PLATE ASSEMBLY - HINGE MOUNTING	1
5	1211105	1/4 - 20 KEPS NUT EXT LW ZP	2
6	1572007	WELD ASSEMBLY - DOOR CHECK (SEE FIGURE 7 FOR DETAILS)	1
7	6232031	HINGE ASSEMBLY - DOOR - LOWER	1
8	4242145	BEARING - THRUST - LOWER HINGE	1



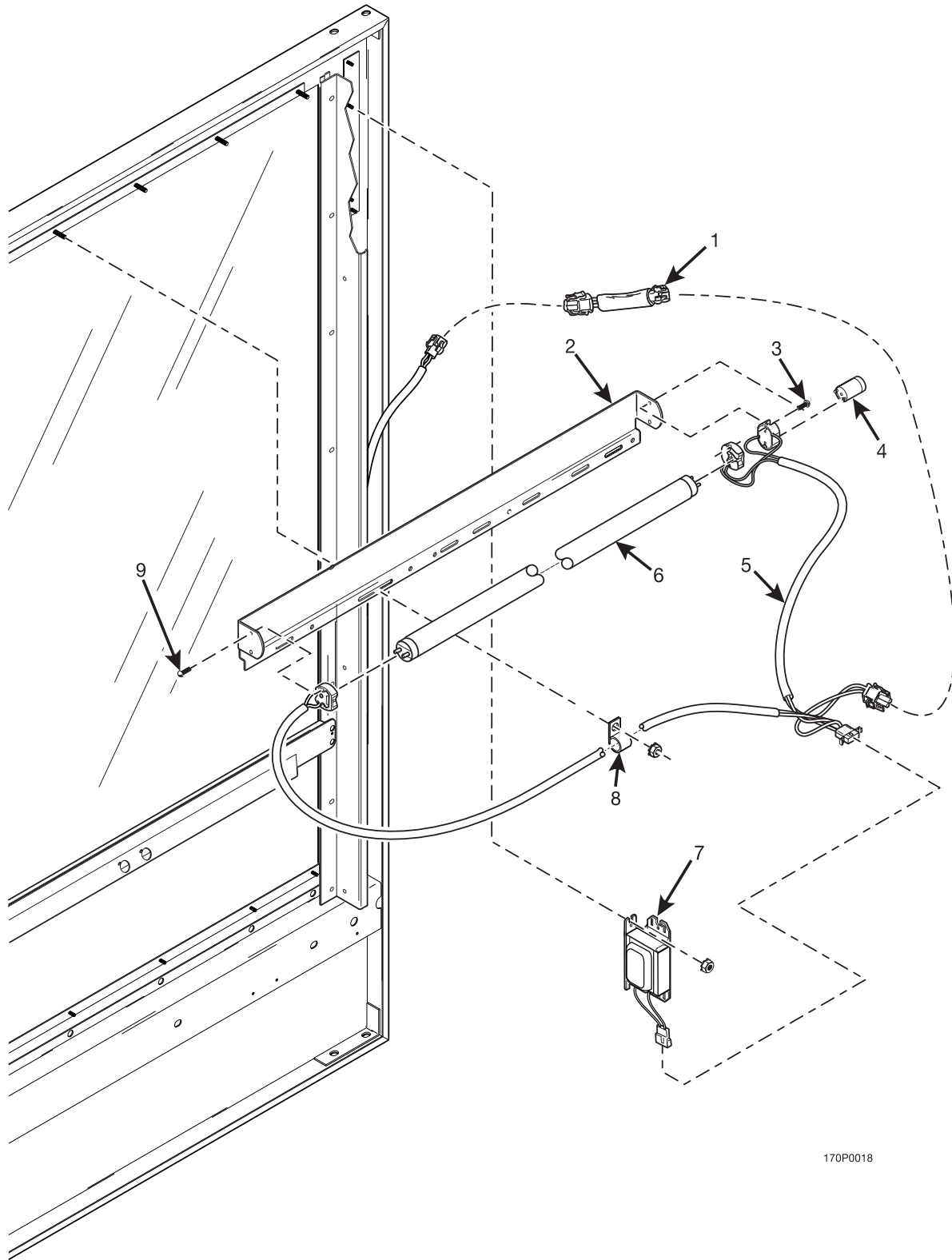
453P0012

Figure 7. Door Check

# Snackvendor Models 170 - 171 Parts Manual

TABLE 7. DOOR CHECK

INDEX	PART NUMBER	DESCRIPTION	QTY.
1	1571091	RIVET - SEMI - TUBULAR - .125 DX .218	2
2	1451041	SPRING - DOOR CHECK	1
3	1572007	WELD ASSEMBLY - DOOR CHECK	1
4	1472132	SCREW - #6-32 X .25 PHS T/C	3
5	1572009	ROD - DOOR CHECK	1
6	1571037	CAP - VINYL - .281 ID X .50 LONG	1
7	1142017	BUSHING - DOOR CHECK	1
8	1211105	1/4 - 20 KEPS NUT EXT LW ZP	2
9	1572007	WELD ASSEMBLY - DOOR CHECK	1



170P0018

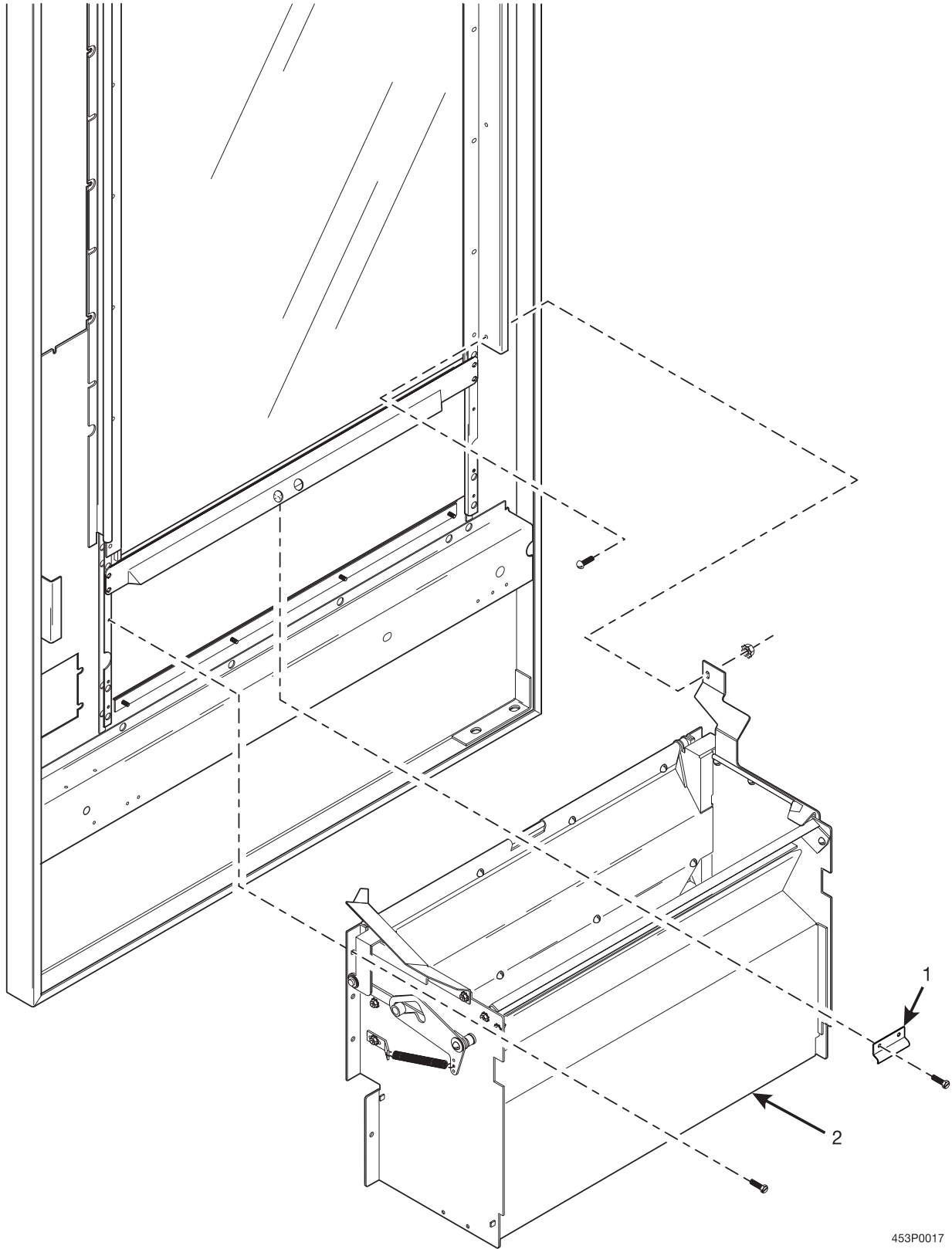
Figure 8. Fluorescent Light Assembly



# Snackvender Models 170 - 171 Parts Manual

**TABLE 8. FLUORESCENT LIGHT ASSEMBLY**

INDEX	PART NUMBER	DESCRIPTION	QTY.
1	1451124	SUPPRESSION NETWORK ASSEMBLY	1
2	1572039	BRACKET - LIGHT - COMMON - 25 WATT (170)	1
	1582025	BRACKET - LIGHT - COMMON - 20 WATT (171)	
3	3107171	SCREW - #4-36 X 5/8 RHS	2
4	2302218	STARTER - FLUORESCENT LIGHT FS-25 (170)	1
	2222095	FLUORESCENT LAMP STARTER FS-2 (171)	
5	1709015	HARNESS - DOOR - FLUORESCENT LIGHT (170)	1
	1582005	HARNESS - FLUORESCENT LIGHT (171)	
6	1172115	FLUORESCENT LAMP - 25 WATT - 28" (170)	1
	1122138	FLUORESCENT LAMP - # F20T12/CW (171)	
7	6152188	BALLAST ASSEMBLY - CABINET LIGHT (170)	1
	3151058	BALLAST ASSEMBLY - 14/20 WATT (171)	
8	1452139	RETAINER - HARNESS	2
9	1452076	SCREW - #4-36 X .437 RHS	2



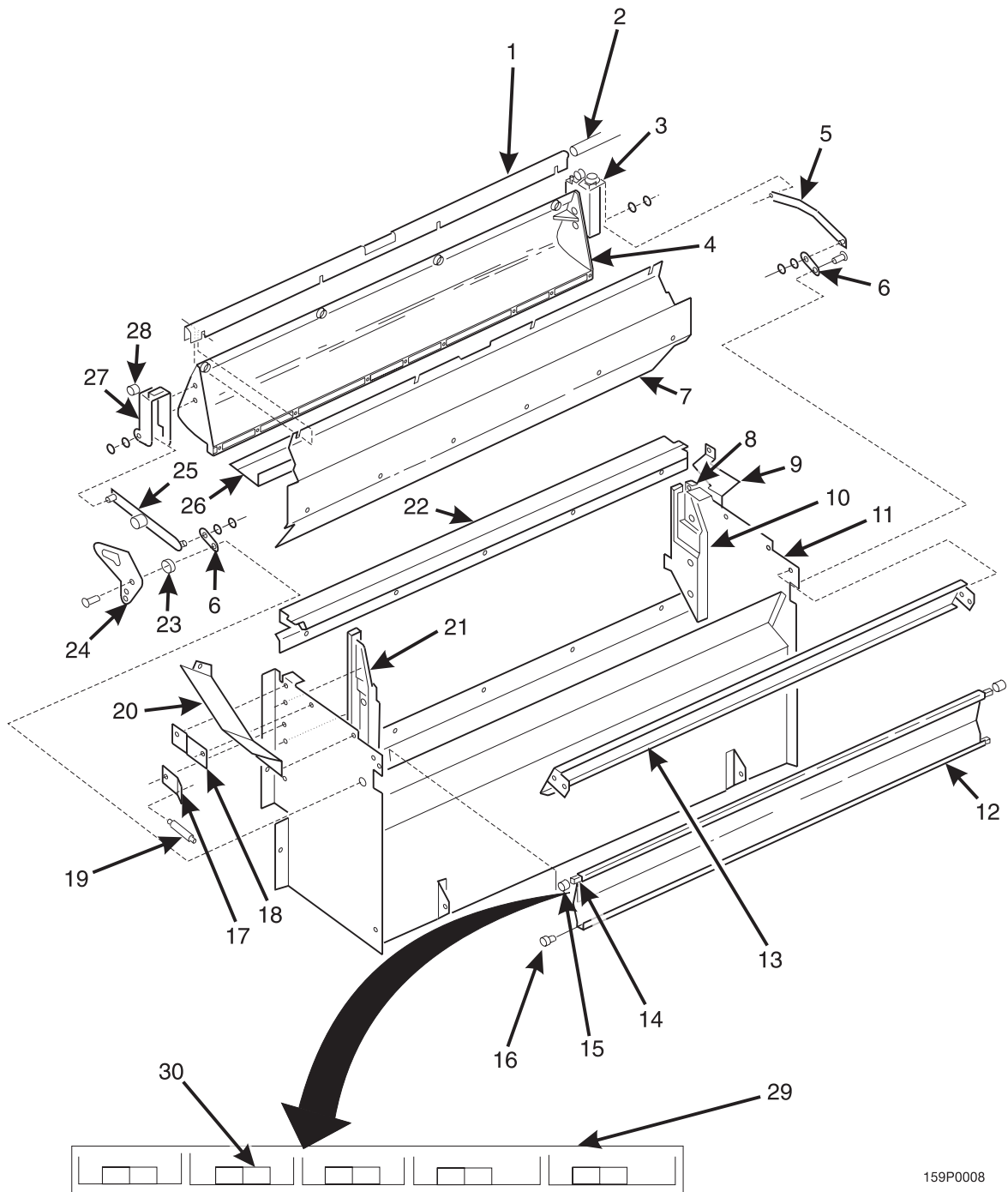
453P0017

Figure 9. Delivery Pan Assembly (Part 1 of 2)

# Snackvendor Models 170 - 171 Parts Manual

TABLE 9. DELIVERY PAN ASSEMBLY (PART 1 OF 2)

INDEX	PART NUMBER	DESCRIPTION	QTY.
1	1472142	RETAINER - DOOR PIVOT	1
2	1572043	FLAP DELIVERY PAN ASSEMBLY (170)	1
	1602039	FLAP DELIVERY PAN ASSEMBLY (171)	



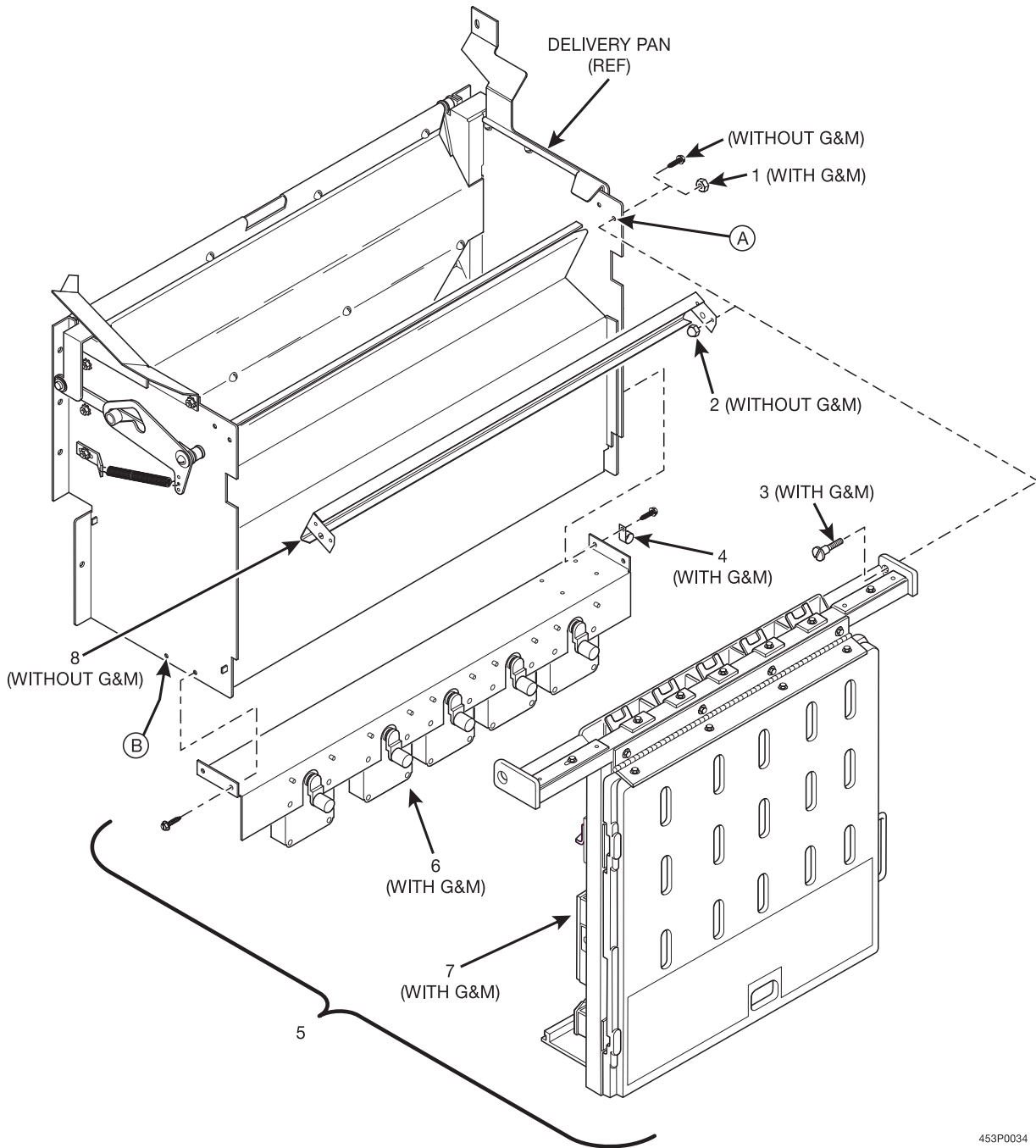
159P0008

Figure 9. Delivery Pan Assembly (Part 2 of 2)

# Snackvendor Models 170 - 171 Parts Manual

**TABLE 9. DELIVERY PAN ASSEMBLY (PART 2 OF 2)**

INDEX	PART NUMBER	DESCRIPTION	QTY.
1	1462035	CHANNEL - DOOR (171)	1
	1412028	CHANNEL - DOOR (170)	
2	1482002	SHAFT - DOOR - PIVOT (171)	1
	1472228	SHAFT - DOOR - PIVOT (170)	
3	1482252	ACTUATOR - DELIVERY DOOR - L.H.	1
	1472272	ACTUATOR - DELIVERY DOOR - L.H.	
4	1582024	DOOR - DELIVERY	1
	1472137	DOOR - DELIVERY	
5	4402017	ACTUATOR ASSEMBLY	1
6	1472145	ACTUATOR - REAR PIVOT	2
7	1482163	LINER - DOOR - PILFERAGE (171)	1
	1472108	LINER - DOOR - PILFERAGE (170)	
8	1472069	BRACKET - DOOR - PIVOT - L.H.	1
9	1602014	DEFLECTOR - L.H. - SMALL GLASCO	1
10	1602034	FILLER - LEFT (171)	1
	1412023	FILLER - LEFT (170)	
11	1602038	WELD ASSEMBLY - DELIVERY PAN (171)	1
	1472288	WELD ASSEMBLY - DELIVERY PAN (170)	
12	1482171	ASSEMBLY - REAR - DELIVERY DOOR (171)	1
	1472138	ASSEMBLY - REAR - DELIVERY DOOR (170)	
13	1482159	FILLER - DELIVERY PAN (WITHOUT G&M)	1
14	1472087	WASHER - .38 I.D. X .56 O.D.	2
15	1472083	SPACER	2
16	4042556	CANOE CLIP	2
17	2342110	BRACKET - SPRING	1
18	1472068	BRACKET - DOOR PIVOT - R.H.	1
19	4246044	SPRING - ELEVATOR GUIDE ARM	1
20	1572029	DEFLECTOR - PRODUCT - R.H.	1
21	1412022	FILLER - RT.	1
22	1482187	PAN - DELIVERY - FRONT (171)	1
	1472200	PAN - DELIVERY - FRONT (170)	
23	2342109	BUSHING - DELIVERY LINKAGE	1
24	4402016	PLATE - DOOR RETENTION	1
25	1472156	ACTUATOR ASSEMBLY - RIGHT	1
26	1462073	ANGLE - DELIVERY DOOR (171)	1
	1412047	ANGLE - DELIVERY DOOR (170)	
27	1482251	ACTUATOR - DELIVERY DOOR - R.H. (171)	1
	1472271	ACTUATOR - DELIVERY DOOR - R.H. (170)	
28	1472219	SPACER	2
29	1702021	LABEL - GUM & MINT SELECTIONS	1
30	1472105	PRICE LABELS - GUM & MINT (\$ AND ¢)	1



453P0034

Figure 10. Gum & Mint Unit (Part 1 of 3)

# Snackvendor Models 170 - 171 Parts Manual

**TABLE 10. GUM & MINT UNIT (PART 1 OF 3)**

INDEX	PART NUMBER	DESCRIPTION	QTY.
1	1407048	NUT - 10-32 M/F # 21TWA1032 ZP (WITH G&M)	2
2	3108030	ACORN NUT BRAS NICKEL 80-32 (WITHOUT G&M)	2
3	1479052	STUD - PIVOT - GUM & MINT (WITH G&M)	2
4	1452139	RETAINER - HARNESS (WITH G&M)	1
5	1577000	GUM & MINT COLUMN (170) (SEE PART 2 FOR DETAILS)	1
	1587000	GUM & MINT COLUMN (171) (SEE PART 2 FOR DETAILS)	
6	1479127	ANGLE & MOTOR ASEMBLY (170) (SEE PART 2 FOR DETAILS)	1
	1489004	ANGLE & MOTOR ASEMBLY (171) (SEE PART 2 FOR DETAILS)	
7	1479136	FRAME ASSEMBLY - G & M (170) (SEE PART 2 FOR DETAILS)	1
	1489008	FRAME ASSEMBLY - G & M (171) (SEE PART 2 FOR DETAILS)	
	1479130	MAGAZINE ASSEMBLY - G & M (170) (SEE PART 2 FOR DETAILS)	1
	1489006	MAGAZINE ASSEMBLY - G & M (171) (SEE PART 2 FOR DETAILS)	
8	1472802	FILLER - DELIVERY PAN (170) (WITHOUT G&M)	1
	1482159	FILLER - DELIVERY PAN (171) (WITHOUT G&M)	
-	1577000	GUM & MINT COLUMN (170)	-
	1587000	GUM & MINT COLUMN (171)	

# Snackvendor Models 170 - 171 Parts Manual

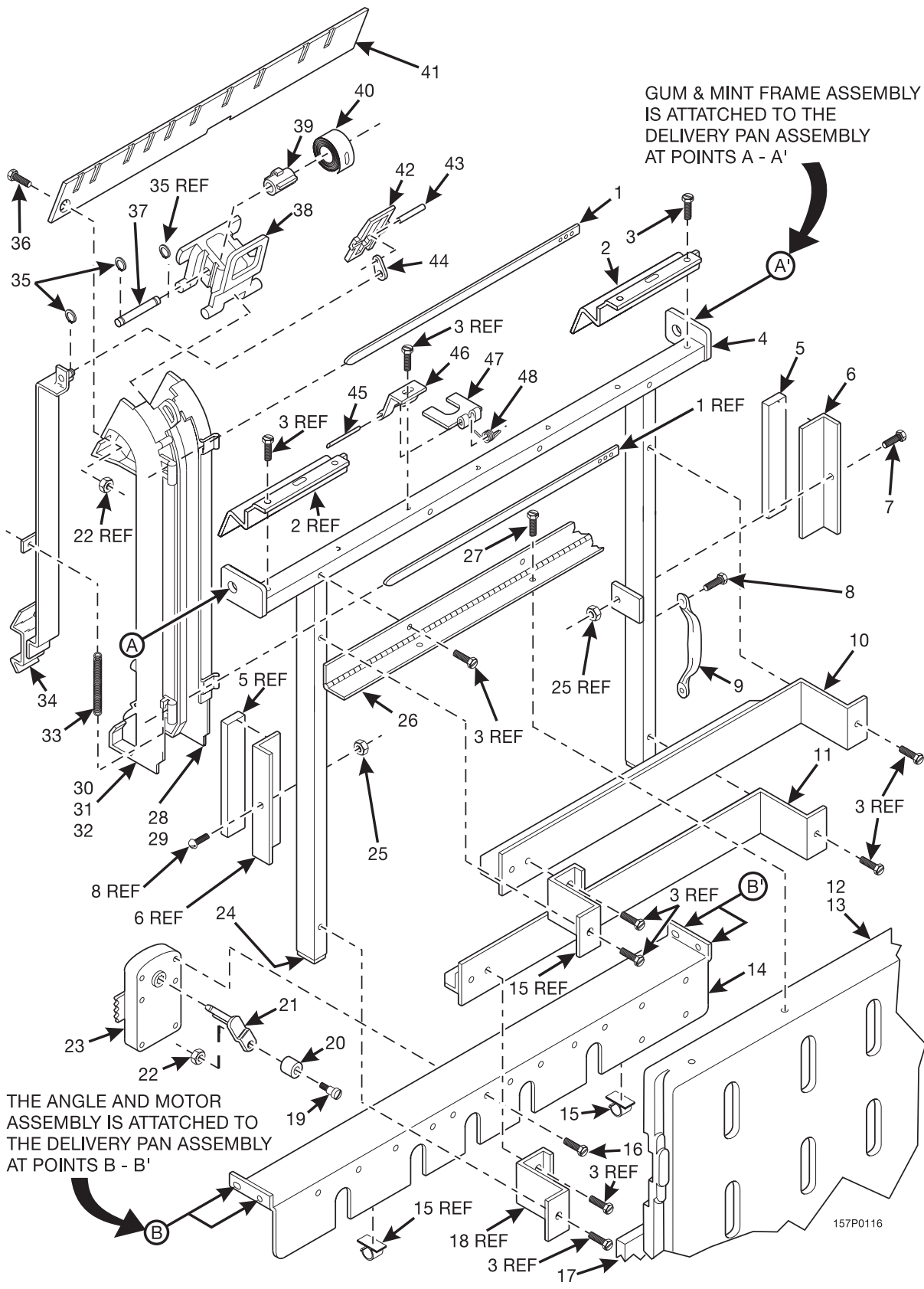


Figure 10. Gum and Mint Unit (Part 2 of 3)



# Snackvendor Models 170 - 171 Parts Manual

TABLE 10. GUM & MINT UNIT (PART 2 OF 3)

INDEX	PART NUMBER	DESCRIPTION	QTY.
-	1577000	GUM & MINT COLUMN (170)	-
	1587000	GUM & MINT COLUMN (171)	
1	1579053	RETAINER	3
2	1479103	FILLER - GUM & MINT	2
3	1451097	SCREW - #8-32 X .31 HEX HD. TF	-
4	1479136	FRAME ASSEMBLY - GUM & MINT (170)	1
	1489008	FRAME ASSEMBLY - GUM & MINT (171)	
5	3122056	MAGNET RETAINER COIN CHANGER	2
6	1479117	ANGLE MAGNET	2
7	9900201	SCREW #8-32 X 5/16 RHS SEMS MACH ZINC	2
8	4041053	SCREW #10-32 X 3/8 PHS T/C W/LW	2
9	1479139	PULL - DOOR	1
10	1479089	SUPPORT ASSEMBLY - MAGAZINE - UPPER	1
11	1479092	SUPPORT ASSEMBLY - MAGAZINE - LOWER	1
12	1479101	COVER - GUM & MINT	1
13	1479124	LABEL - LOADING - GUM & MINT	1
14	1479102	ANGLE - MOTOR (170)	1
	1489005	ANGLE - MOTOR (171)	
15	6131143	CABLE CLAMP - RICHCO #KKC6	2
16	1457027	SCREW - #8-32 X .81 HEX HD. - T/F	10
17	1479119	MAGNET - RETAINER	2
18	1479095	BRACKET - MAGAZINE	2
19	1479062	STUD - DRIVE ARM	5
20	1479063	ROLLER - DRIVE ARM	5
21	1479145	ARM - DRIVE MOTOR	5
22	9900081	NUT - #8-32 KEPS ZINC PLATE	5
23	1577035	MOTOR & PC BOARD ASSEMBLY	5
24	1479120	CAPLUG - REC. 1/2 X 1	2
25	1412046	NUT - #8-32 MF 23TW832 BLOX	2
26	1479104	HINGE - COVER	1
27	1437204	SCREW - #8-10 X .38 HEX HD. TF	4
28	1479073	CHANNEL - GUM & MINT - LEFT	5
29	1479064	SPACER - COLUMN - GUM & MINT	2
30	1479076	CHANNEL - GUM & MINT - RIGHT - SMALL	3
31	1479077	CHANNEL - GUM & MINT - RIGHT - LARGE	2
32	1572040	LABEL - LOADING LINE - GUM & MINT	1
33	4246307	SPRING - HORIZONTAL SELECTOR ARM	5
34	1479123	DRIVE BAR & STUD ASSEMBLY	5
35	9900425	RETAINING RING - REINF. E TYPE .250	15

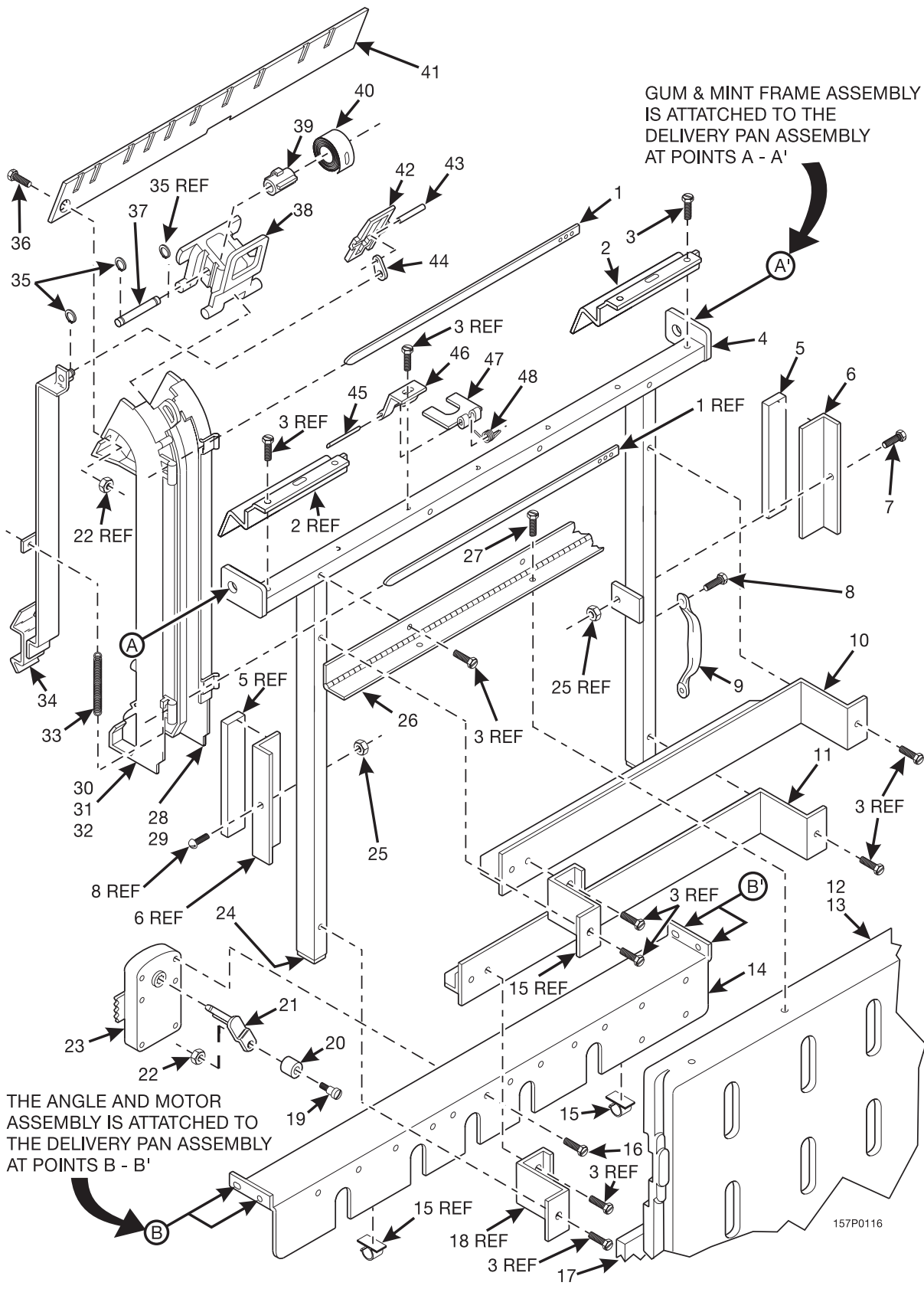
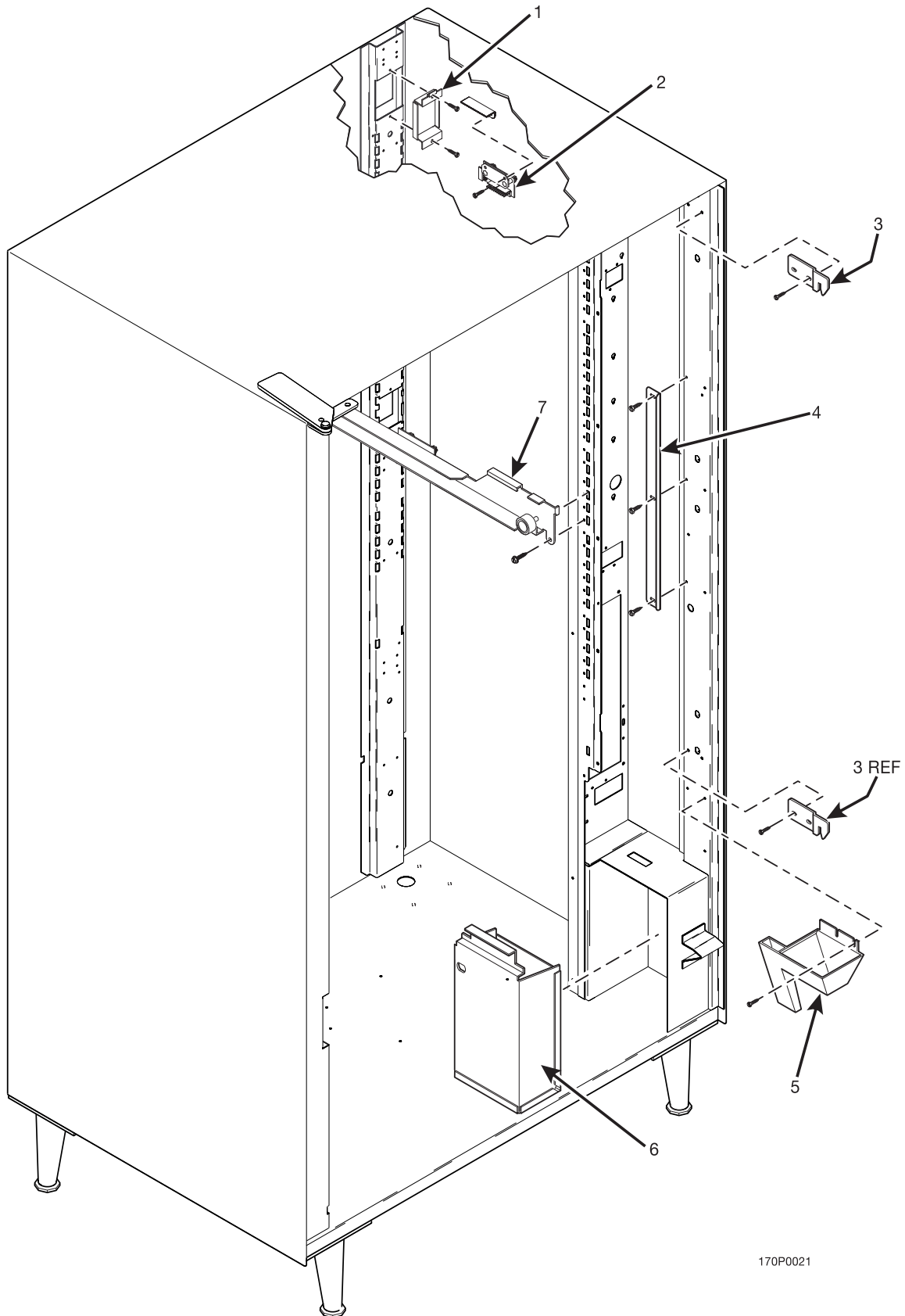


Figure 10. Gum and Mint Unit (Part 3 of 3)

# Snackvendor Models 170 - 171 Parts Manual

TABLE 10. GUM & MINT UNIT (PART 3 OF 3)

INDEX	PART NUMBER	DESCRIPTION	QTY.
36	9900020	SCREW #8-32 X 1/2 RHS MACH. ZINC	1
37	1479099	PIN - PUSHER	5
38	1479079	PUSHER	5
39	1479080	SPOOL - SPRING	5
40	1479106	SPRING - PUSHER	5
41	1479105	WINDOW - GUM & MINT	1
42	1479078	EJECTOR - GUM & MINT	5
43	1479098	PIN - EJECTOR	5
44	1479097	LINK - EJECTOR	5
45	1479083	PIN - HINGE	5
46	1479082	HINGE - BACK	5
47	1479081	HINGE - FRONT	5
48	1479084	SPRING - HINGE	5



170P0021

Figure 11. Cabinet Miscellaneous (Part 1 of 3)

# Snackvendor Models 170 - 171 Parts Manual

TABLE 11. CABINET MISCELLANEOUS (PART 1 OF 3)

INDEX	PART NUMBER	DESCRIPTION	QTY.
1	1471090	COVER - FAN HOLE (SEE FIGURE 11 FOR DETAILS)	1
2	1596012	PCB ASSEMBLY - TRAY (SEE FIGURE 11 FOR DETAILS)	-
3	1571074	CABINET LOCK ARMS	2
4	1571022	MONETARY STOP PANEL	1
5	6231242	PAYOUT CHUTE	1
6	1571029	COIN BOX ASSEMBLY	1
7	1701009	TRAY GUIDE RAIL/PCB ASSEMBLY - R.H. (SEE FIGURE 11 FOR DETAILS)	-
	1701006	TRAY GUIDE RAIL ASSEMBLY - L.H.	

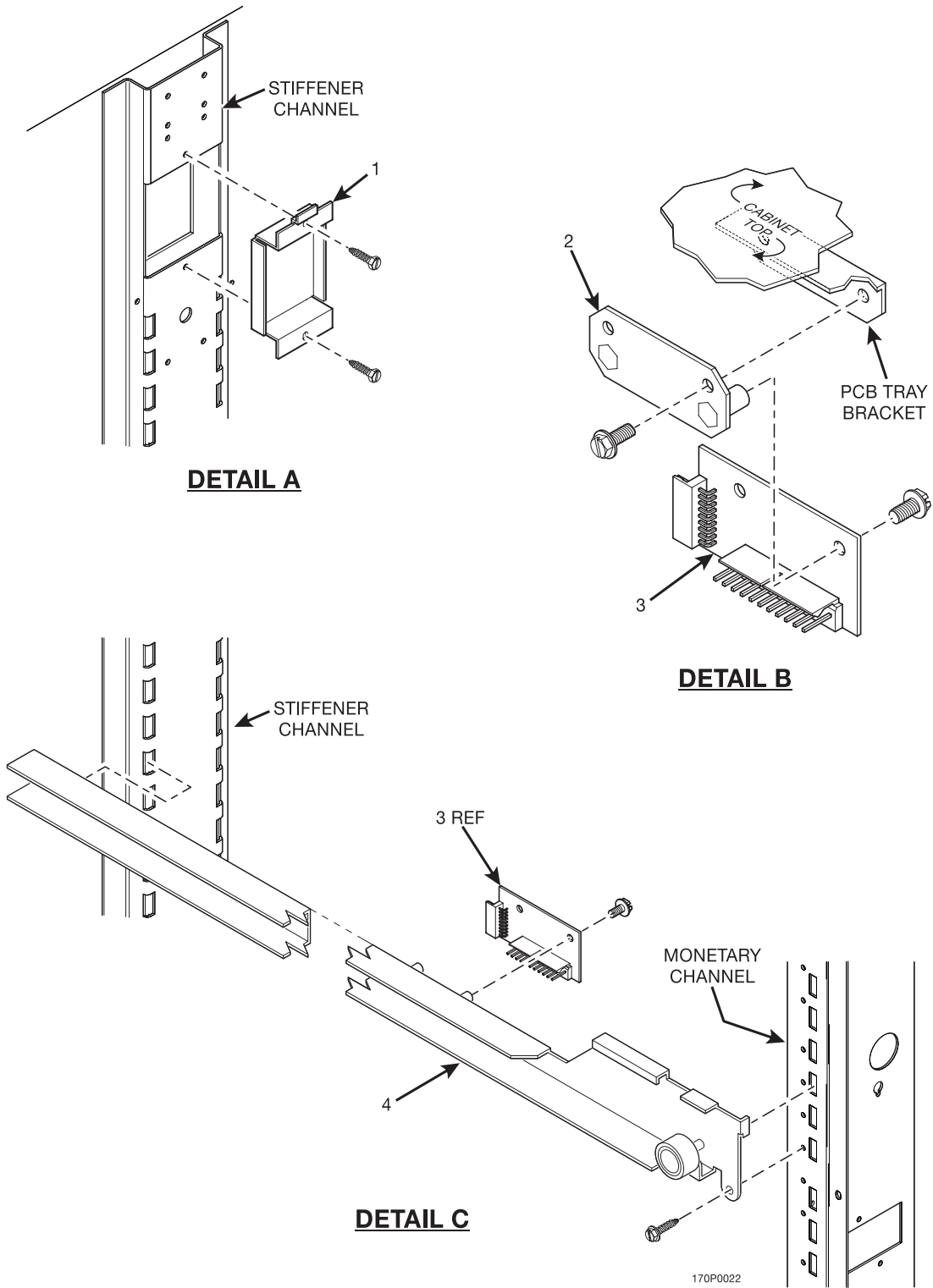
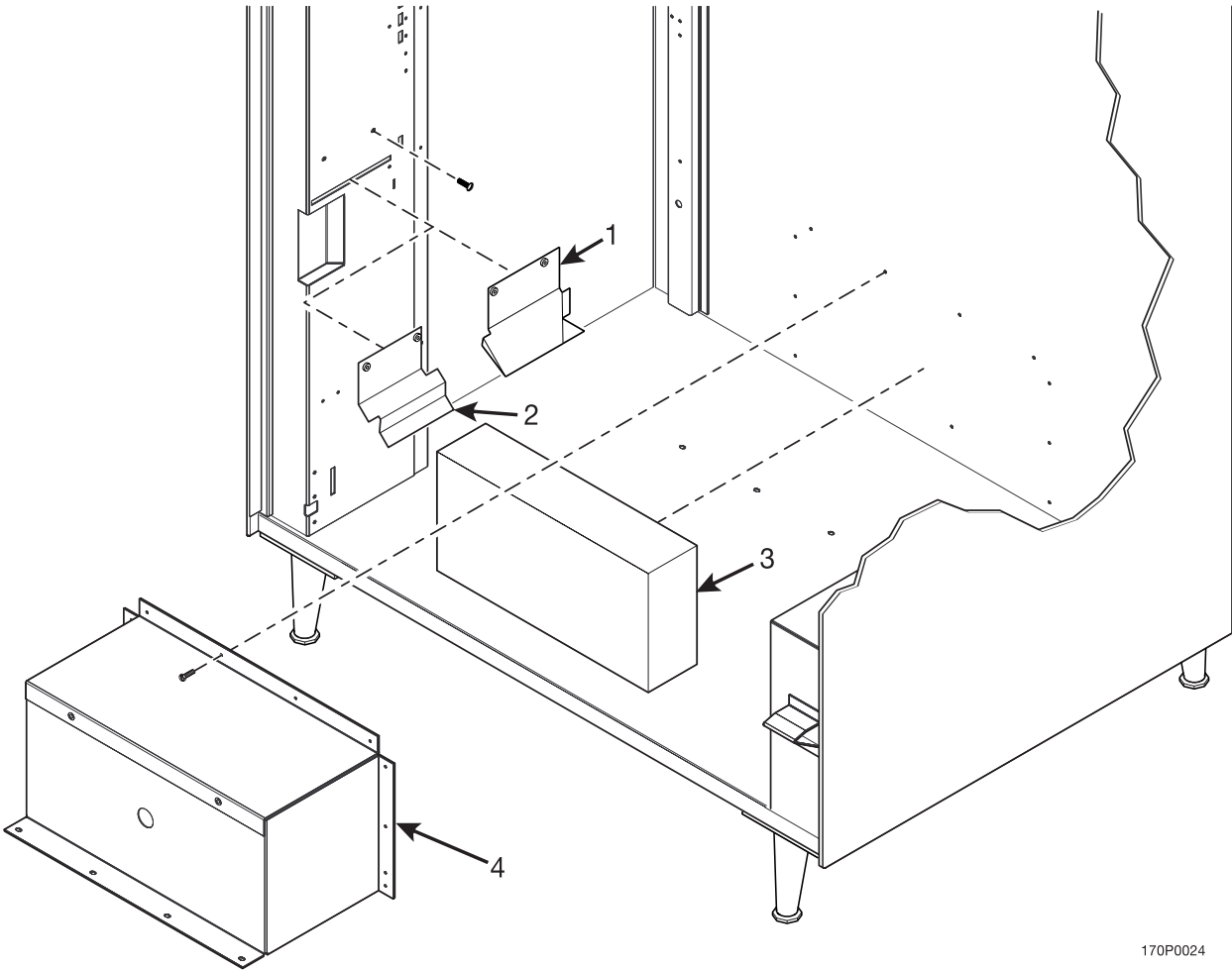


Figure 11. Cabinet Miscellaneous (Part 2 of 3)

# Snackvender Models 170 - 171 Parts Manual

TABLE 11. CABINET MISCELLANEOUS (PART 2 OF 3)

INDEX	PART NUMBER	DESCRIPTION	QTY.
1	1471090	COVER - FAN HOLE	1
2	1571175	PLATE - PCB RAIL MOUNTING	-
3	1596012	PCB ASSEMBLY - TRAY	-
4	1701008	TRAY GUIDE RAIL - W/STANDOFFS	-



170P0024

Figure 11. Cabinet Miscellaneous (Part 3 of 3)



# Snackvendor Models 170 - 171 Parts Manual

TABLE 11. CABINET MISCELLANEOUS (PART 3 OF 3)

INDEX	PART NUMBER	DESCRIPTION	QTY.
1	1581039	DEFLECTOR ASSEMBLY - SMALL SNACK (171)	1
2	1571123	DEFLECTOR - LARGE SNACK (170)	
3	2351017	BALLAST - BLOCK	1
4	1701033	COVER ASSEMBLY - WEIGHT	1

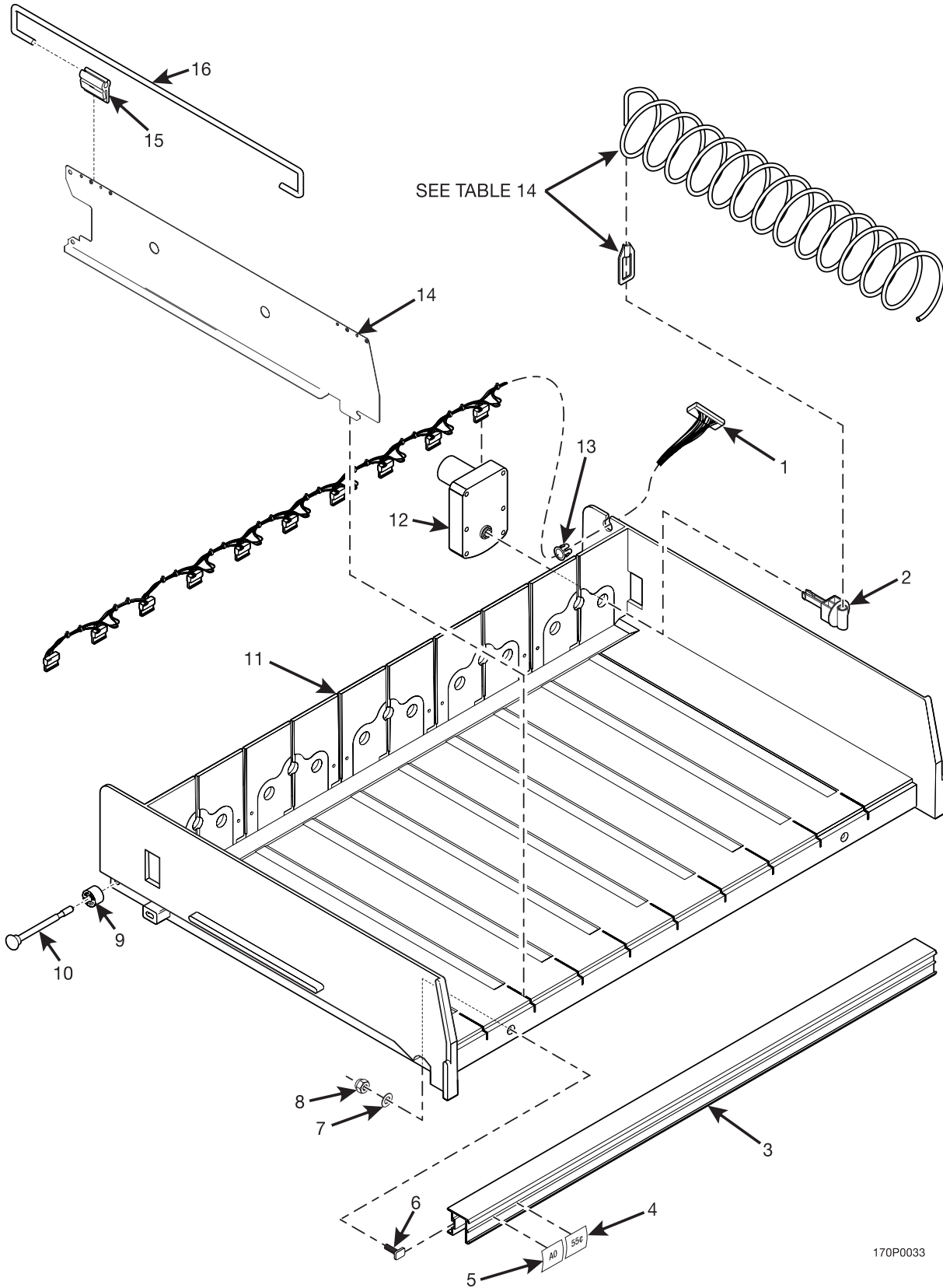
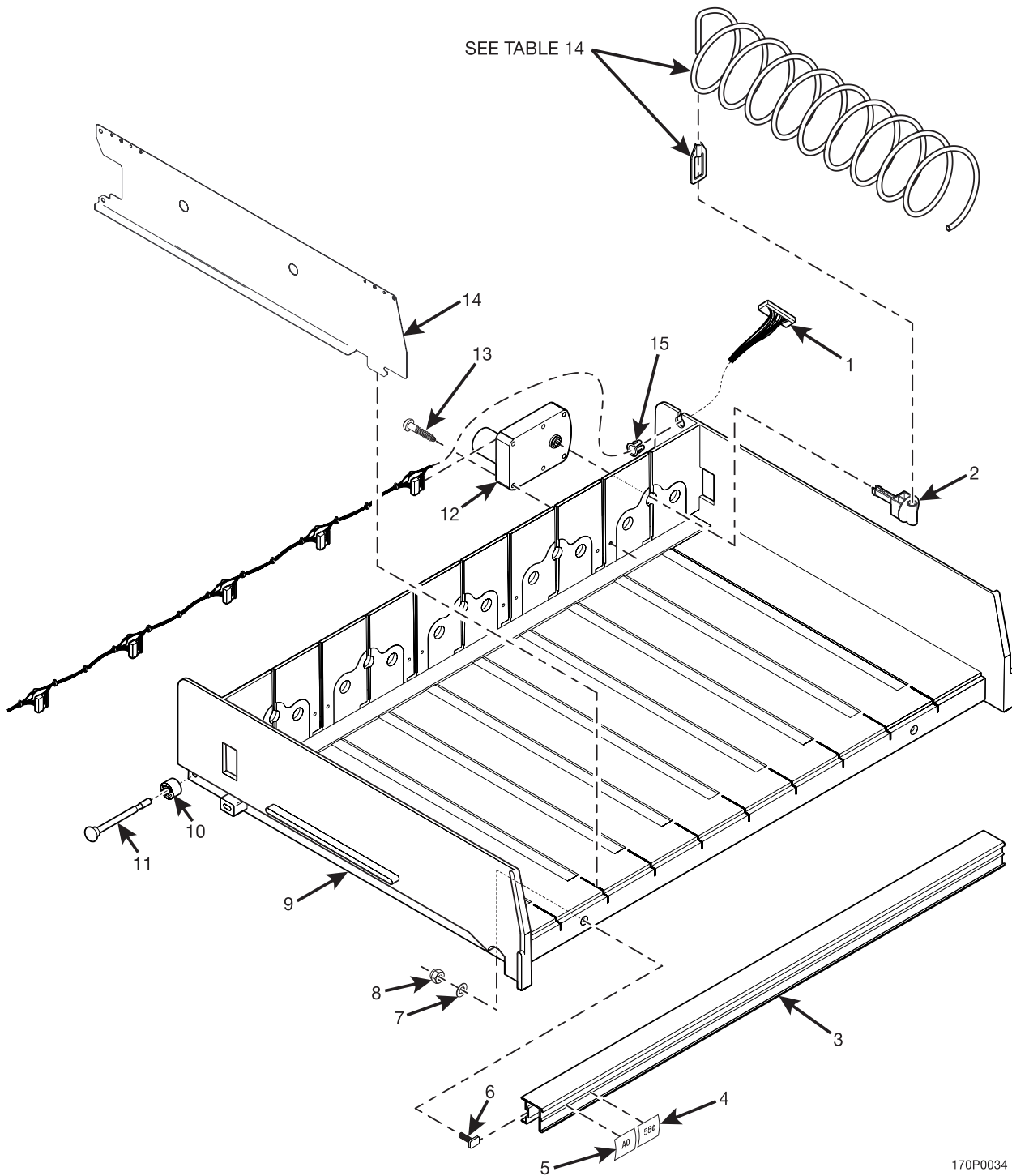


Figure 12. Candy Tray Assembly

# Snackvendor Models 170 - 171 Parts Manual

TABLE 12. CANDY TRAY ASSEMBLY

INDEX	PART NUMBER	DESCRIPTION	QTY.
-	1707032	CANDY TRAY ASSEMBLY (170)	OPT.
	1717004	CANDY TRAY ASSEMBLY (171)	
1	1709014	HARNESS - 10 MOTOR TRAY - 28" (170) (SHOWN)	1
	1709013	HARNESS - 8 MOTOR TRAY - 28" (171) (NOT SHOWN)	
2	1477113	COUPLING SPIRAL (170) (SHOWN)	10
		COUPLING SPIRAL (171) (NOT SHOWN)	8
3	1707002	RAIL - PRICE & 5/10 SELECTION (170) (SHOWN)	1
	1717002	RAIL - PRICE & 4/8 SELECTION (171) (NOT SHOWN)	
4	1590022	PRICE TAGS - SHEET 1 - STANDARD - 35¢ TO \$1.25	2
5	1590025	LABEL - ITEM LETTERS - A0 THRU G9	1
6	2222031	TEE BOLT - TRIM (170)	3
		TEE BOLT - TRIM (171)	2
7	5560113	WASHER - HOPPER RELEASE (170)	3
		WASHER - HOPPER RELEASE (171)	2
8	9900030	NUT - #8-32 SELF-LOCKING (170)	3
		NUT - #8-32 SELF-LOCKING (171)	2
9	1477148	ROLLER - TRAY	2
10	1477097	AXLE - TRAY ROLLER	2
11	1707001	TRAY - 5/10 DIVISION (170)	1
	1717001	TRAY - 4/8 DIVISION (171)	
12	1577035	MOTOR & PC BOARD ASSEMBLY (170)	10
		MOTOR & PC BOARD ASSEMBLY (171)	8
13	3502097	BUSHING #OCB-500	1
14	1707003	WALL - TRAY (170)	9
		WALL - TRAY (171)	7
15	1707030	MOUNT - PRODUCT RETAINER	OPT.
16	1707035	RETAINER - PRODUCT ADJ. - BLACK	OPT.



170P0034

Figure 13. Snack Tray Assembly

# Snackvendor Models 170 - 171 Parts Manual

TABLE 13. SNACK TRAY ASSEMBLY

INDEX	PART NUMBER	DESCRIPTION	QTY.
-	1707032	SNACK TRAY ASSEMBLY (170)	OPT.
	1717003	SNACK TRAY ASSEMBLY (171)	
1	1709012	HARNESS - 5 MOTOR TRAY - 28" (170)	1
	1709011	HARNESS - 4 MOTOR TRAY - 28" (171)	
2	1477113	COUPLING - SPIRAL (170)	10
		COUPLING - SPIRAL (171)	8
3	1707002	RAIL - PRICE & 5/10 SELECTION	1
	1717002	RAIL - PRICE & 4/8 SELECTION	
4	1590022	PRICE TAGS - SHEET 1 STANDARD - 35¢ TO \$1.25	2
5	1590025	LABEL - ITEM LETTERS - A0 THRU G9	1
6	2222031	TEE BOLT - TRIM (170)	3
		TEE BOLT - TRIM (171)	2
7	5560113	WASHER - HOPPER RELEASE (170)	3
		WASHER - HOPPER RELEASE (171)	2
8	9900030	NUT - #8-32 SELF LOCKING (170)	3
		NUT - #8-32 SELF LOCKING (171)	2
9	1707001	TRAY - 5/10 DIVISION (170)	1
	1717001	TRAY - 5/10 DIVISION (171)	
10	1477148	ROLLER - TRAY	2
11	1477097	AXLE - TRAY ROLLER	2
12	1577035	MOTOR & PC BOARD ASSEMBLY (170)	5
		MOTOR & PC BOARD ASSEMBLY (171)	4
13	1707037	SCREW - #8-16 X .88 PHS PLASTIC (170)	5
		SCREW - #8-16 X .88 PHS PLASTIC (171)	4
14	1707003	WALL - TRAY (170)	4
		WALL - TRAY (171)	3

# Snackvendor Models 170 - 171 Parts Manual

TABLE 14. SPIRAL OPTIONS

SPIRAL AND RETAINER ASSEMBLY	SPIRAL RETAINER COLOR	SPIRAL RETAINER NUMBER	SPIRAL PART NUMBER	SPIRAL DESCRIPTION	COUNT	LEFT HAND	RIGHT HAND
1700004	BLUE	1457061	1707005	2.57" DIA.	10	■	□
1707006	BLUE	1457061	1707007	2.57" DIA.	10	□	■
1707008	YELLOW	1457062	1707009	2.57" DIA.	12	■	□
1707010	YELLOW	1457062	1707011	2.57" DIA.	12	□	■
1707012	RED	1457063	1707016	2.57" DIA.	14	■	□
1707014	RED	1457063	1707015	2.57" DIA.	14	□	■
1707016	GRAY	1477155	1707017	2.57" DIA.	8	■	□
1707018	GRAY	1477155	1707019	2.57" DIA.	8	□	■
1707024	GRAY	1477155	1707025	3.62" DIA.	8	■	□
1707026	BLUE	1457061	1707027	3.62" DIA.	10	■	□
1707028	RED	1457063	1707029	3.62" DIA.	14	■	□
1707039	PURPLE	1477107	1707038	3.62" DIA.	6	■	□
1707041	PURPLE	1477107	1707040	2.57" DIA.	6	■	□
1707043	PURPLE	1477107	1707042	2.57" DIA.	6	□	■



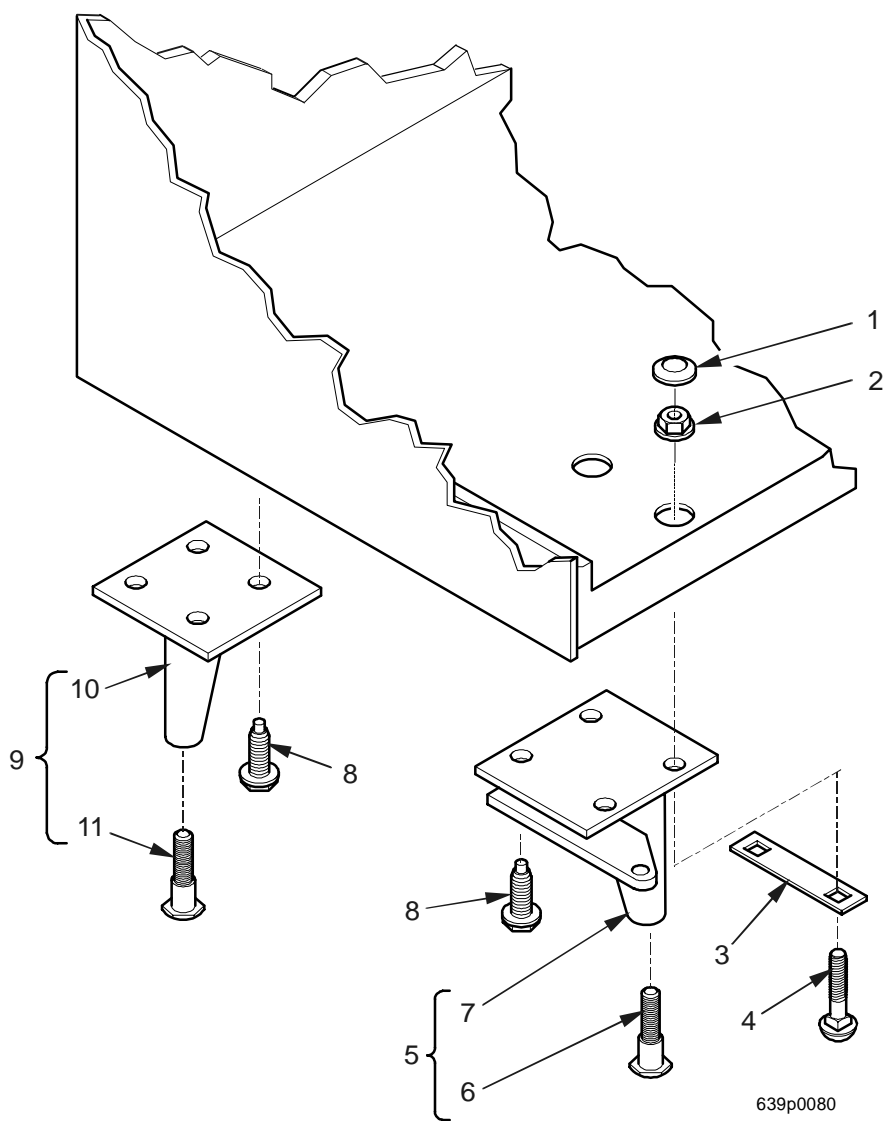


Figure 15. Leg, Leveler and Leg and Hinge Assemblies



# Snackvendor Models 170 - 171 Parts Manual

TABLE 15. LEG, LEVELER AND LEG AND HINGE ASSEMBLIES

INDEX	PART NUMBER	DESCRIPTION	QTY.
1	6231034	PLUG - HOLE (NOT USED IN ALL APPLICATIONS)	2
2	1172021	NUT - 1/4-20 WHIZ-LOCK	2
3	6231203	PLATE - HINGE LEG BOLT	1
4	1211112	TRAY BOLT	2
5	6231163	LEG, HINGE, AND LEVELER ASSEMBLY	1
6	1471098	LEVELER - CABINET	1
7	1571115	LEG AND HINGE ASSEMBLY	1
8	9900218	SCREW - # 5/16 X 1 W/LOCKING RING	14
9	1471237	LEG AND LEVELER ASSEMBLY - CABINET	3
10	1571127	LEG ASSEMBLY - CABINET	1
11	1471098	LEVELER - CABINET	1

# Snackvendor Models 170 - 171 Parts Manual

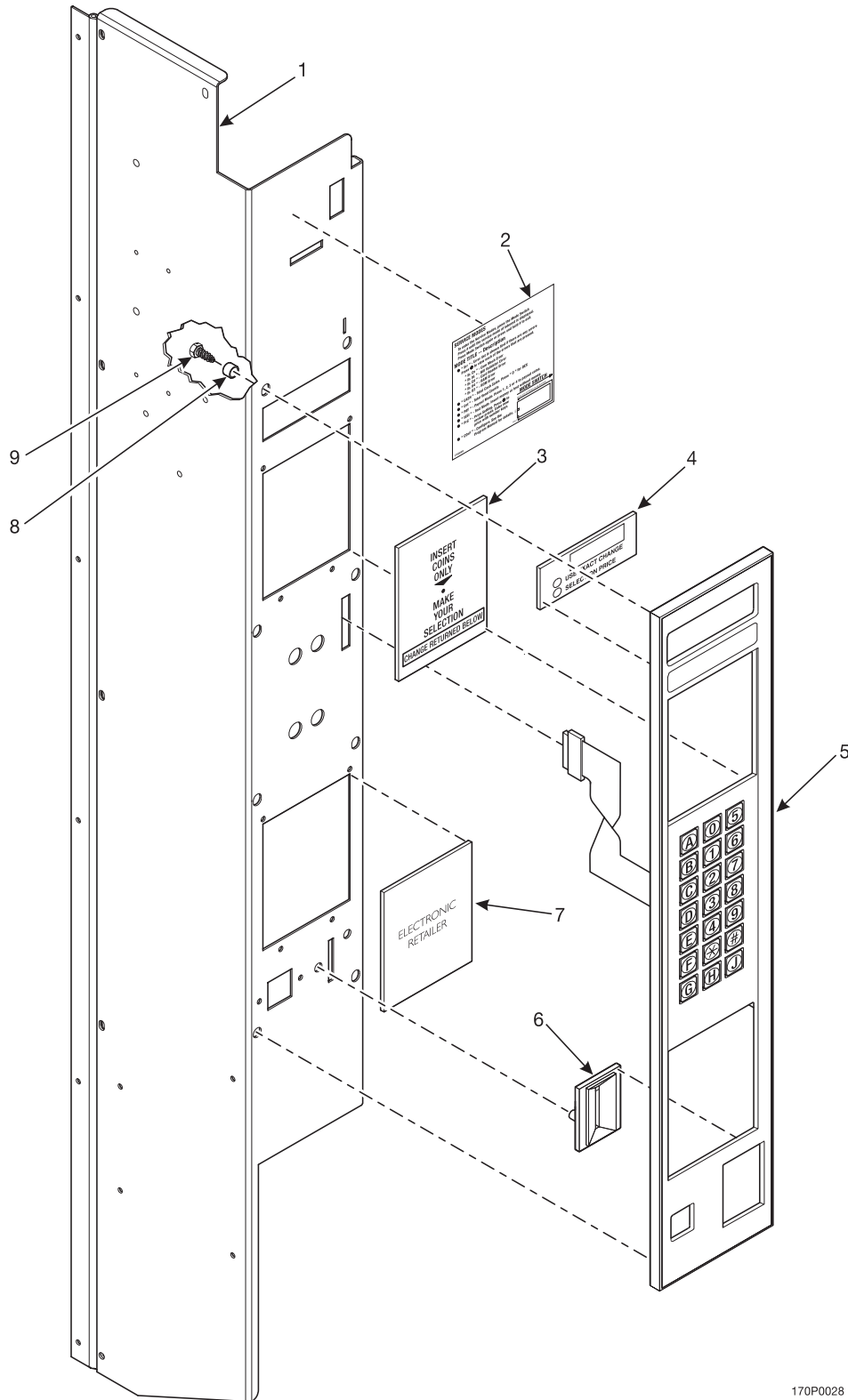


Figure 16. Monetary Panel Assembly (Part 1 of 3)

# Snackvendor Models 170 - 171 Parts Manual

TABLE 16. MONETARY PANEL ASSEMBLY (PART 1 OF 3)

INDEX	PART NUMBER	DESCRIPTION	QTY.
1	1575068	PANEL - WELD ASSEMBLY - MONETARY	1
2	1700009	LABEL - PROG. INSTRUCTIONS - ENGLISH	1
3	1575013	INSERT - INSTR. - COINS ONLY - ENGLISH	1
4	4272003	LENS - DISPLAY	1
5	1595016	FACEPLATE ASSEMBLY - GPL (SEE FIGURE 17 FOR DETAILS)	1
6	1472223	COIN INSERT	1
7	1575035	INSERT - INSTRUCTIONS - LOWER - ENGLISH	1
8	2302053	SPACER CUP	-
9	1437204	SCREW - #8-10 X .38 HEX HD. TF	-

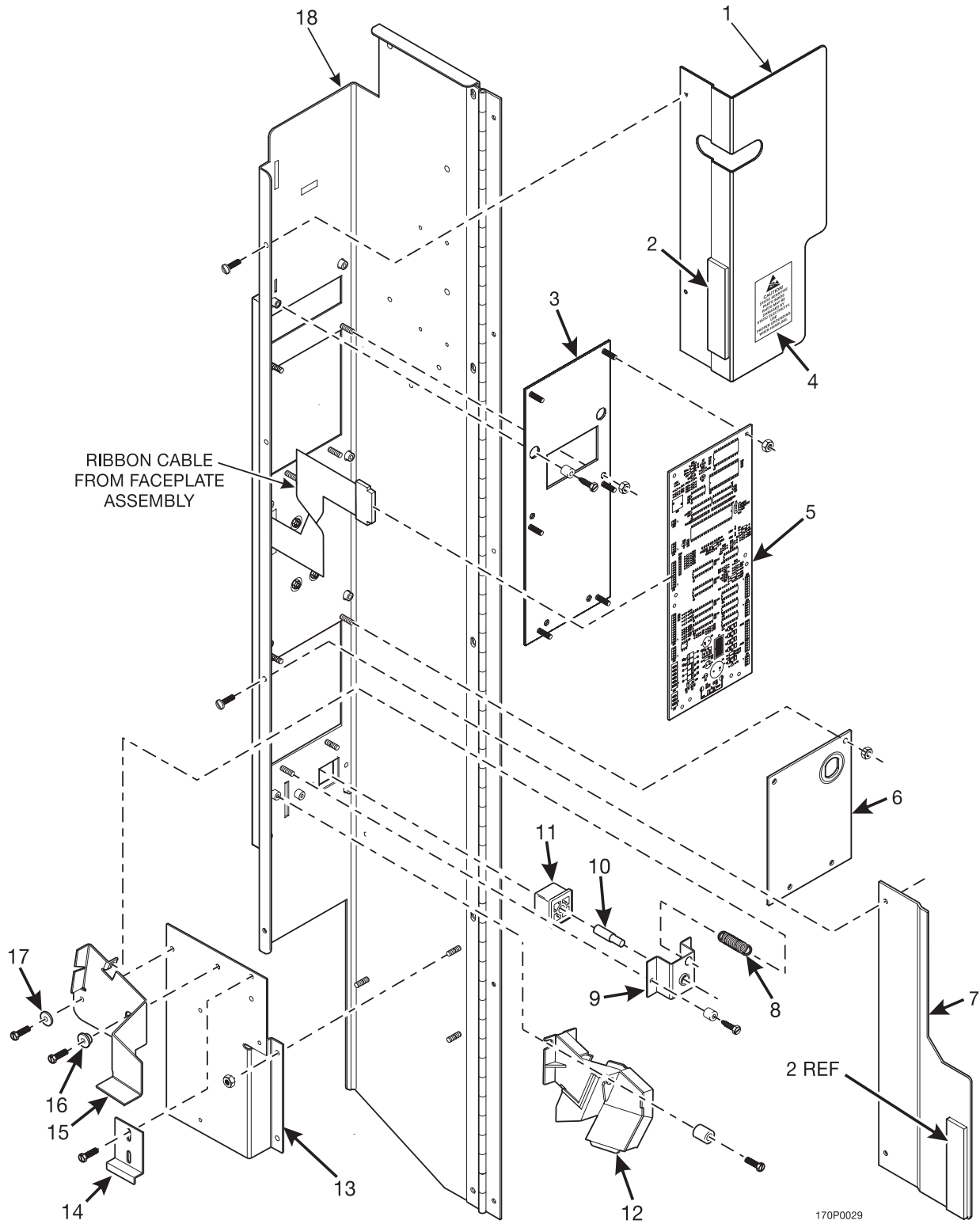
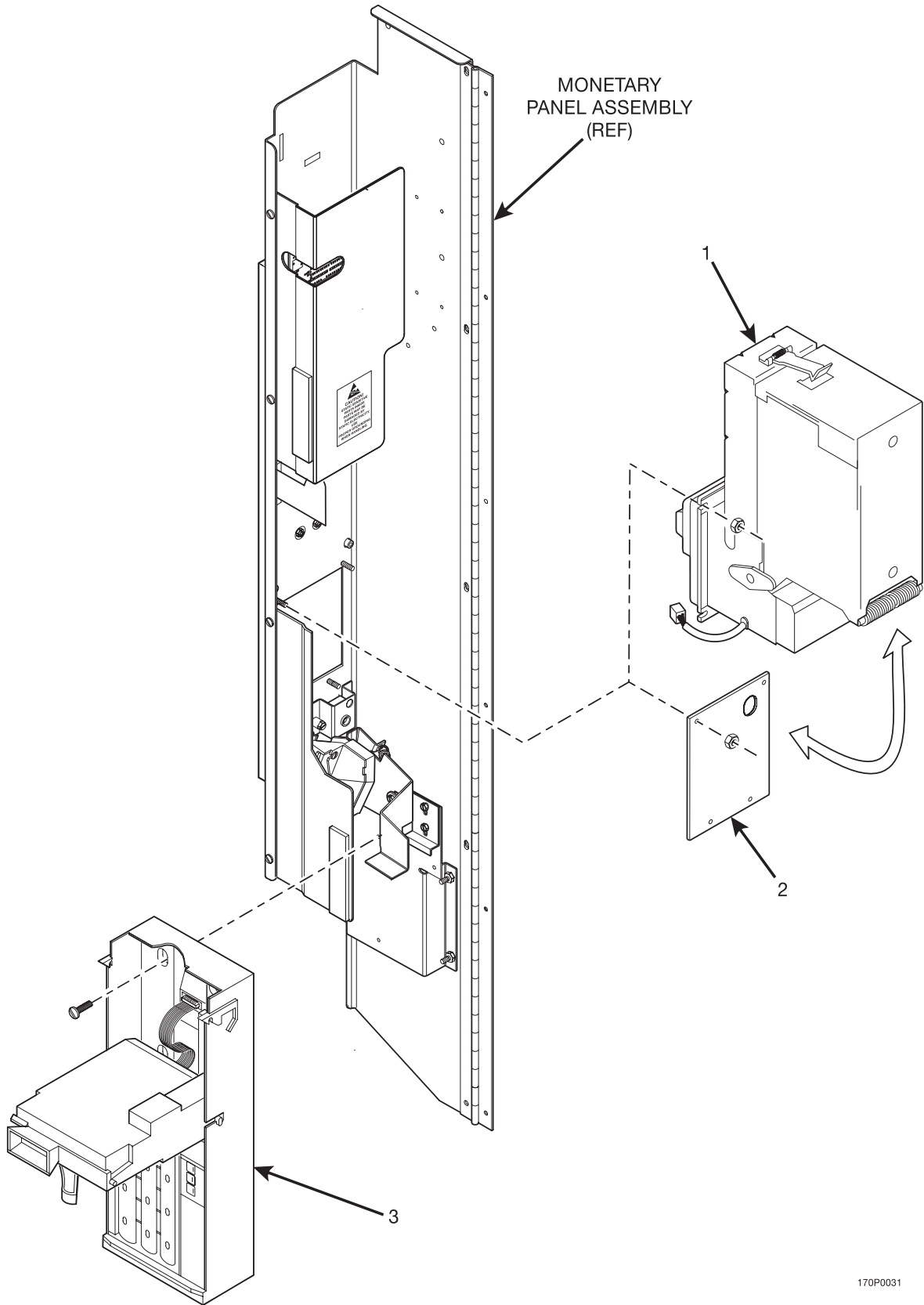


Figure 16. Monetary Panel Assembly (Part 2 of 3)

# Snackvendor Models 170 - 171 Parts Manual

TABLE 16. MONETARY PANEL ASSEMBLY (PART 2 OF 3)

INDEX	PART NUMBER	DESCRIPTION	QTY.
1	1701017	PCB COVER, MAGNET HOLDER	1
2	3122056	MAGNET RETAINER - COIN CHANGER	2
3	1701016	MOUNTING - PCB	1
4	1571154	LABEL - CAUTION - STATIC/ELECT	1
5	4276000	MAIN CONTROL PCB W/EPROM	1
6	1575048	PLATE - INSERT BACKING	1
7	1701014	PLATE - MAGNET MOUNTING - LOWER	1
8	1127808	SPRING - SHELF RESET	1
9	1571097	RECEPTACLE BLOCK & P/C	1
10	1475072	SHAFT - RETURN BUTTON	1
11	1475026	BUTTON - COIN RETURN	1
12	1575003	COIN CHUTE ASSEMBLY	1
13	1571078	BRACKET - COIN MECHANISM	1
14	6231037	CLAMP - CABLE	1
15	1571113	ARM - SCAVENGER	1
16	2228011	SPACER - RELEASE ARM	1
17	2220493	WASHER - SCAVENGER BAR	2
18	1575068	PANEL - WELD ASSEMBLY - MONETARY	1



170P0031

Figure 16. Monetary Panel Assembly (Part 3 of 3)

# Snackvendor Models 170 - 171 Parts Manual

TABLE 16. MONETARY PANEL ASSEMBLY (PART 3 OF 3)

INDEX	PART NUMBER	DESCRIPTION	QTY.
<b>VALIDATOR OPTIONS:</b>			
1	5900182	VALIDATOR - COINCO - BA30SA	OPT.
	1579034	HARNESS FOR BA30SA *** MDB	
	5900210	VALIDATOR - MARS - VN2512 - U5M/500 - MDB	
	5900234	VALIDATOR - CONLUX MKA 2162-128 - 24V	
	1579050	HARNESS ** MDB *** FOR CONLUX 200	
	5900221	VALIDATOR - COINCO - BA 32/SA - 24V	
	1579034	HARNESS FOR BA 30/32 SA *** MDB	
2	1575048	PLATE - INSERT - BACKING (NO VALIDATOR OPTION)	OPT.
<b>COIN MECH OPTIONS:</b>			
3	5900192	COIN UNIT - CONLUX - USLX00401F	OPT.
	5900209	COIN UNIT - CONLUX USLZ - 001 - MDB	
	5900213	COIN UNIT - COINCO - 9302 - GX - MDB	
	5900214	COIN UNIT - MARS - VN4510 - MDB	
	5900237	COIN MECH - CONLUX - USLX - 001 120V	
	5900243	COIN UNIT - TRC 6512 MDB - 1195500	
	6400002	COIN CHANGER - MARS #TRC 6010 XV	
	6400003	COIN CHANGER - COINCO 9302 LF - 24V	

**NOTE: ALL VALIDATORS HELD IN PLACE WITH (4) 9900081 NUT #8-32 KEPS ZINC PLATE.**

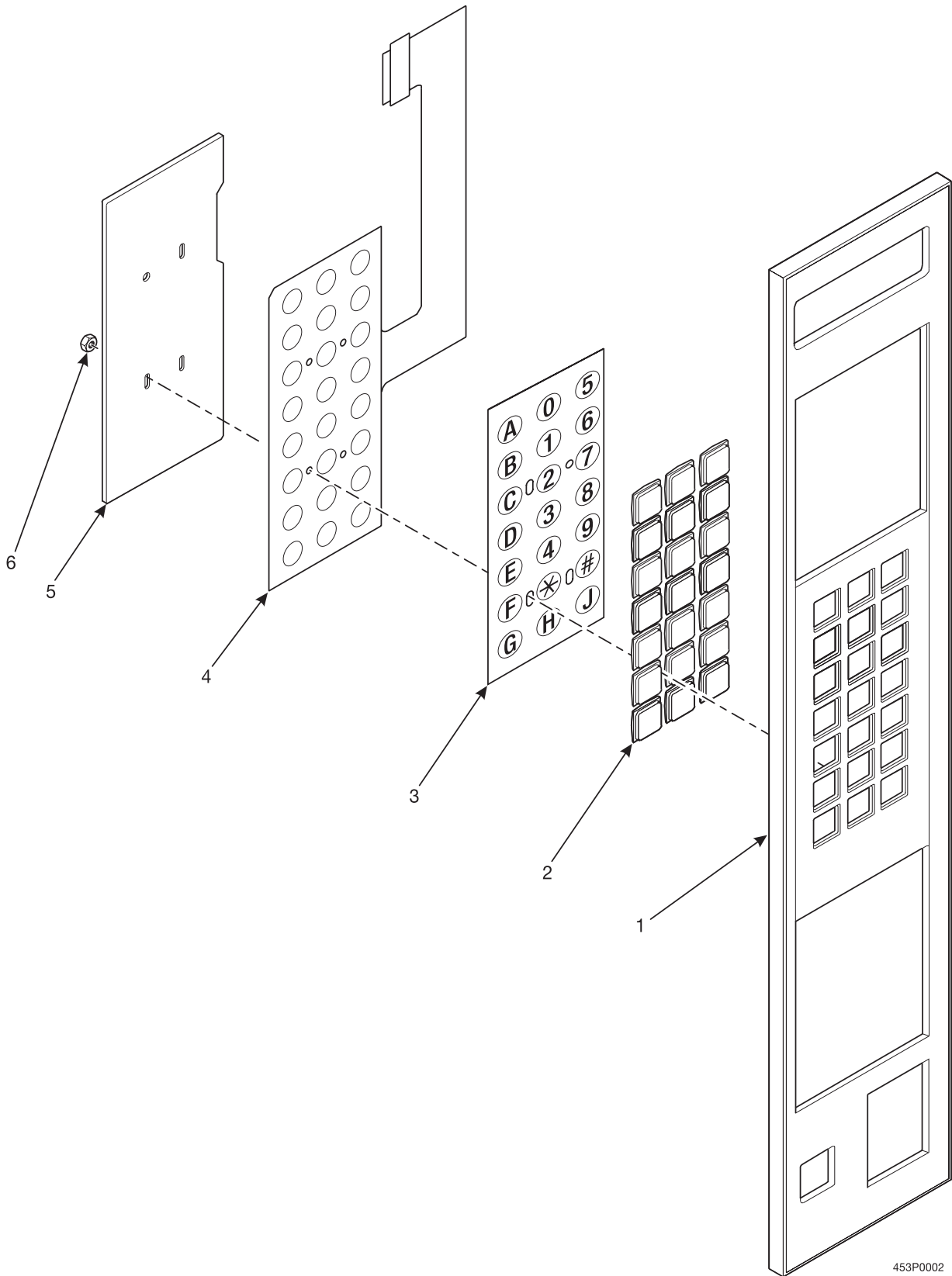


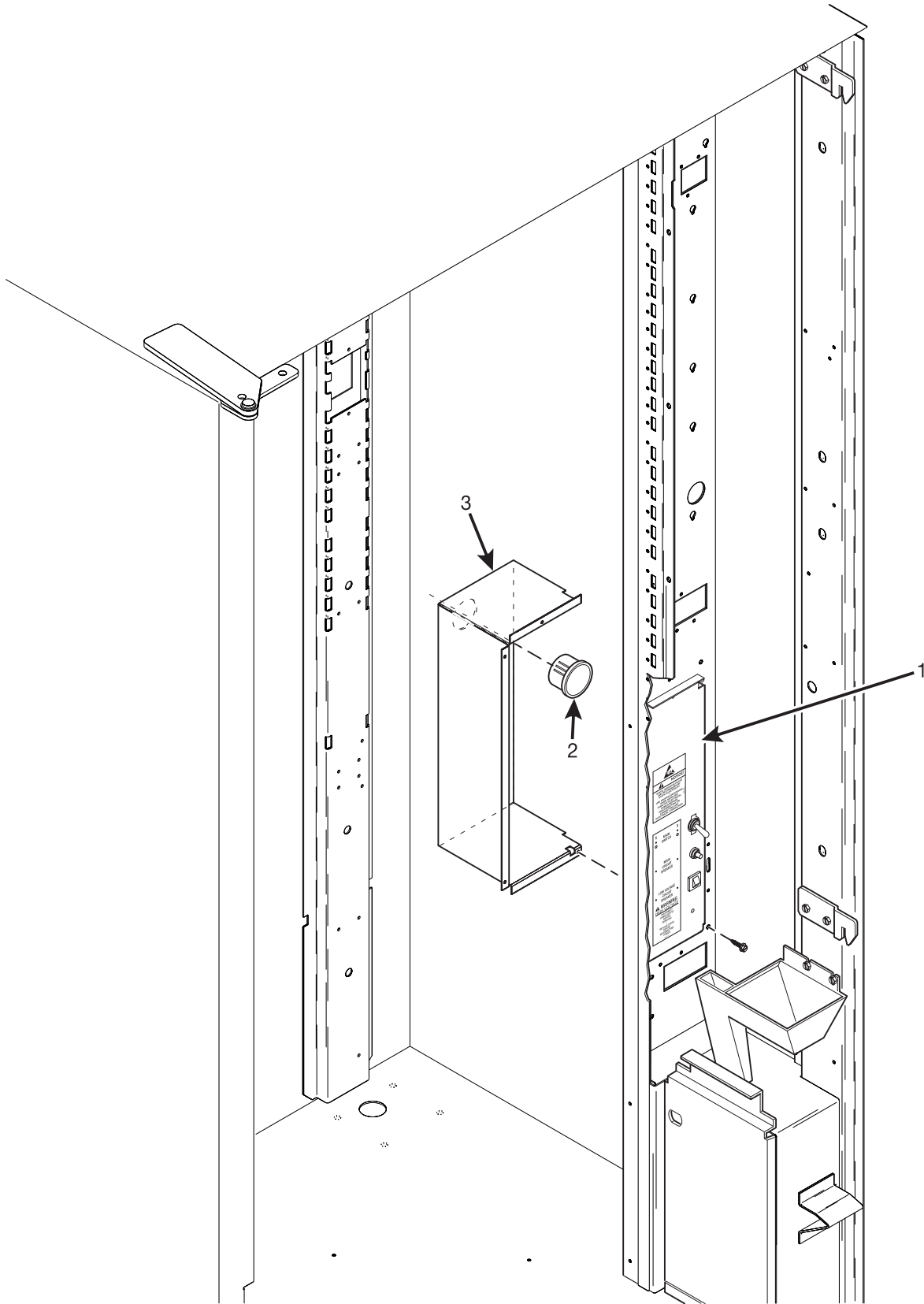
Figure 17. Face Plate Assembly



# Snackvendor Models 170 - 171 Parts Manual

TABLE 17. FACE PLATE ASSEMBLY

INDEX	PART NUMBER	DESCRIPTION	QTY.
-	1595016	FACE PLATE ASSEMBLY - GPL	-
1	1595013	FRAME - MONETARY PANEL - GPL	1
2	1472251	LENS - PUSH BUTTON	21
3	1595002	LETTER SHEET - SELECT SWITCH	1
4	9984630	MEMBRANE SWITCH ASSEMBLY - SELECT	1
5	1575009	PLATE - SELECT SWITCH - BACK UP	1
6	1475089	1/8" NUT - SELF-THREADING	4



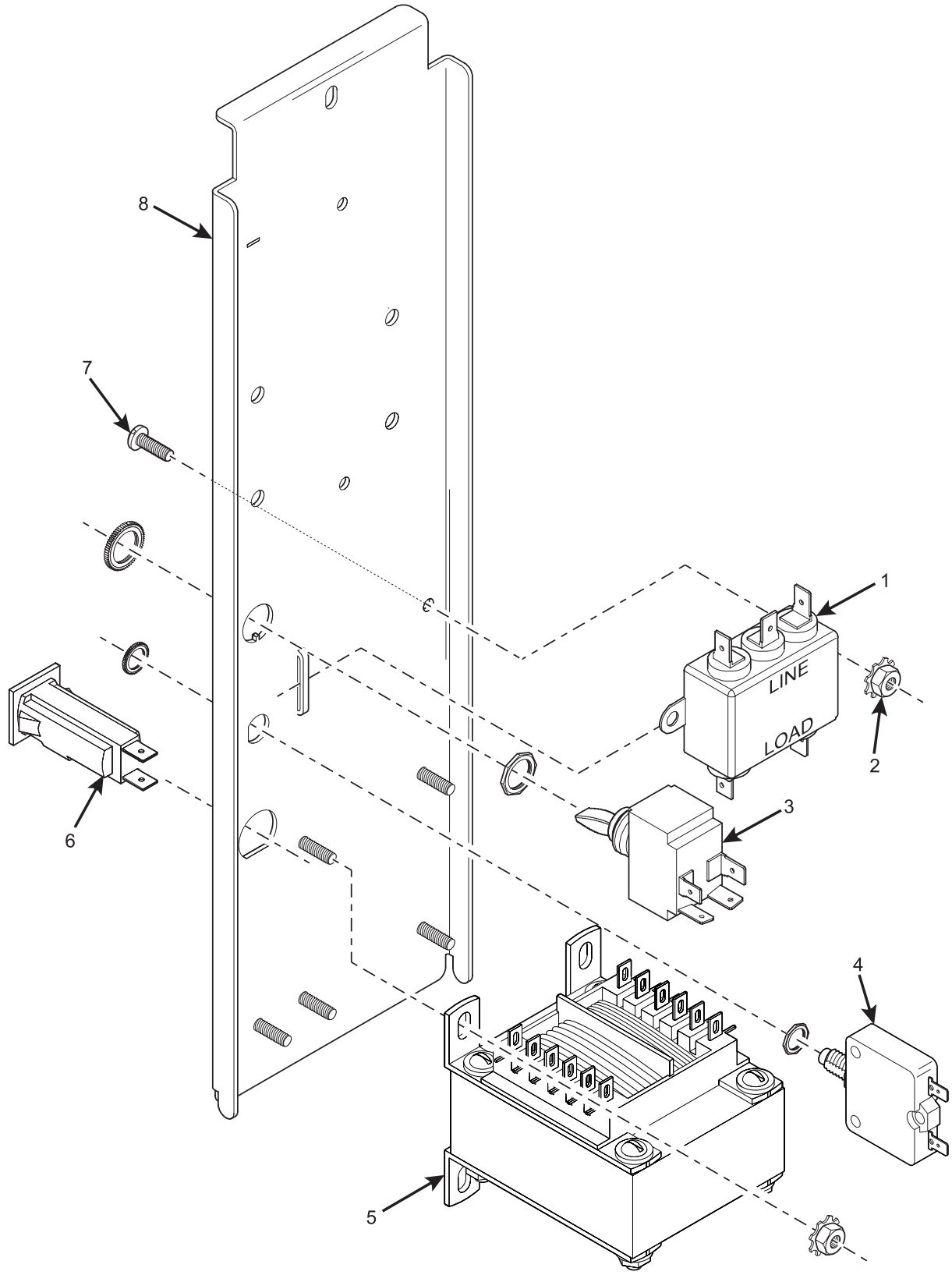
170P0030

Figure 18. Power Panel Housing

# Snackvendor Models 170 - 171 Parts Manual

TABLE 18. POWER PANEL HOUSING

INDEX	PART NUMBER	DESCRIPTION	QTY.
1	1701015X	POWER PANEL ASSEMBLY - DOMESTIC (SEE FIGURE 19 FOR DETAILS)	1
2	6106021	BUSHING - #SB1500-21	1
3	1571193	HOUSING - POWER PANEL	1



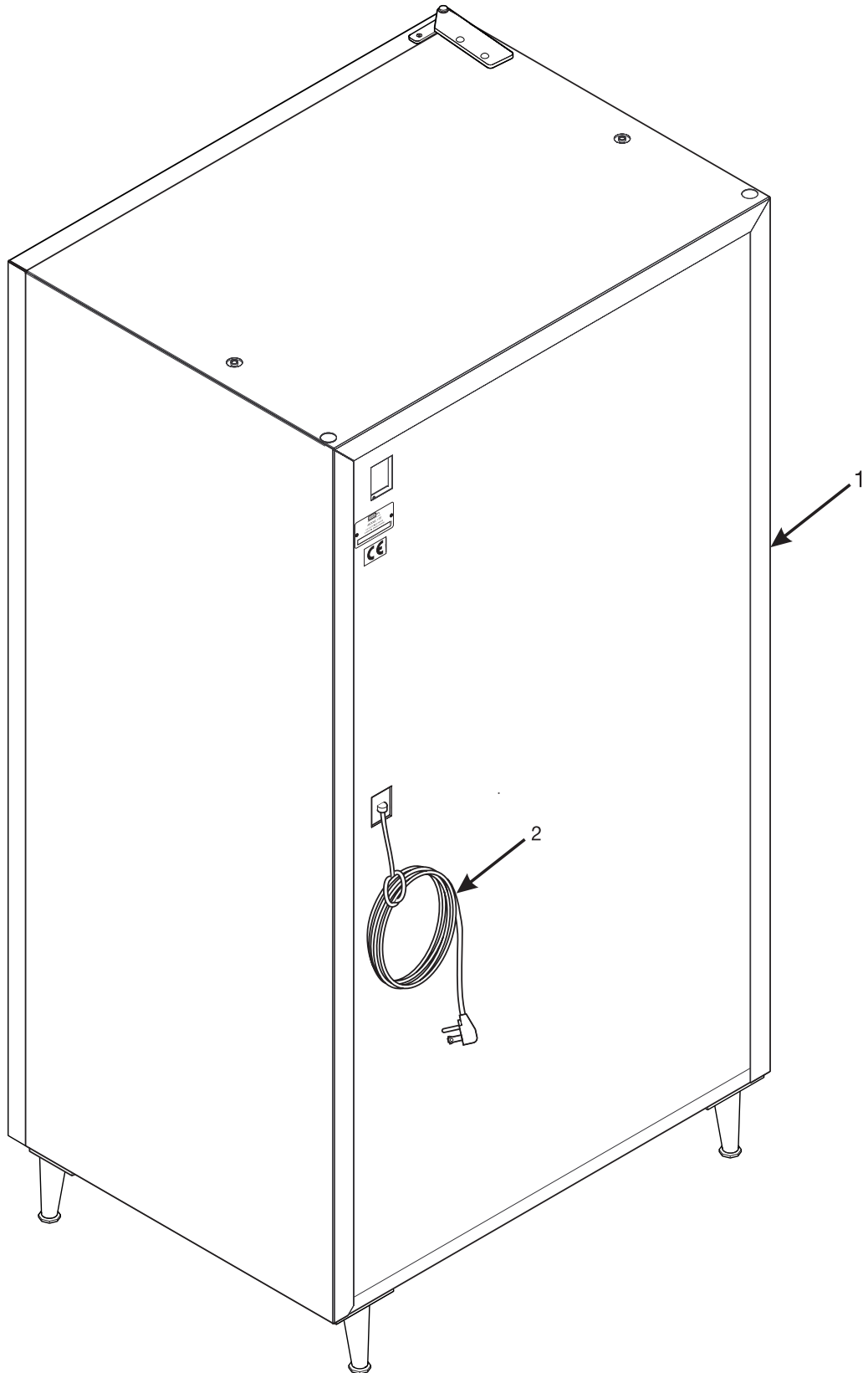
170P0036

Figure 19. Power Panel

# Snackvendor Models 170 - 171 Parts Manual

TABLE 19. POWER PANEL

INDEX	PART NUMBER	DESCRIPTION	QTY.
-	1701015X	POWER PANEL ASSEMBLY - DOMESTIC	-
1	9989100	INTERFERENCE FILTER	1
2	9900081	NUT - #8-32 KEPS ZINC PLATE	6
3	9984629	SWITCH - TOGGLE - DPST - 20 AMP	1
4	9989672	BREAKER - 15 AMP	1
5	9989046	24 V TRANSFORMER - DUAL PRI. - .187 TERM	1
6	9989674	CIRCUIT BREAKER - 4 AMP	1
7	1211110	8-32 X 1/4 RHS MACH SCREW - Z.P.	6
8	1701025	PLATE - HOUSING - PANEL	1



**BACK OF CABINET SHOWN**

170P0023

Figure 20. Power Cord

# Snackvendor Models 170 - 171 Parts Manual

TABLE 20. POWER CORD

INDEX	PART NUMBER	DESCRIPTION	QTY.
1	1701018	CABINET ASSEMBLY - N.V. BLACK (170)	1
	1711012	CABINET ASSEMBLY - N.V. BLACK (171)	
2	9985043	CORD SET - POLARIZED - GROUNDED	1

# Snackvendor Models 170 - 171 Parts Manual

TABLE 21. ACCESSORIES (BASE PLATE ASSEMBLY)

INDEX	PART NUMBER	DESCRIPTION	QTY.
-	1571085	BASE PLATE AND ACCESSORY ASSEMBLY (170)	1
	1580893	BASE PLATE ASSEMBLY (171)	
1	1411194	SLIDE - BASE PLATE R.H.	1
2	9900098	COTTER PIN - 3/32 X 3/4 IN.	2
3	2271408	BASE PLATE ASSEMBLY - HINGED (170)	1
	1581023	BASE PLATE ASSEMBLY	
4	1411195	SLIDE - BASE PLATE L.H.	1
5	6231087	BRACKET - BASE PLATE	2

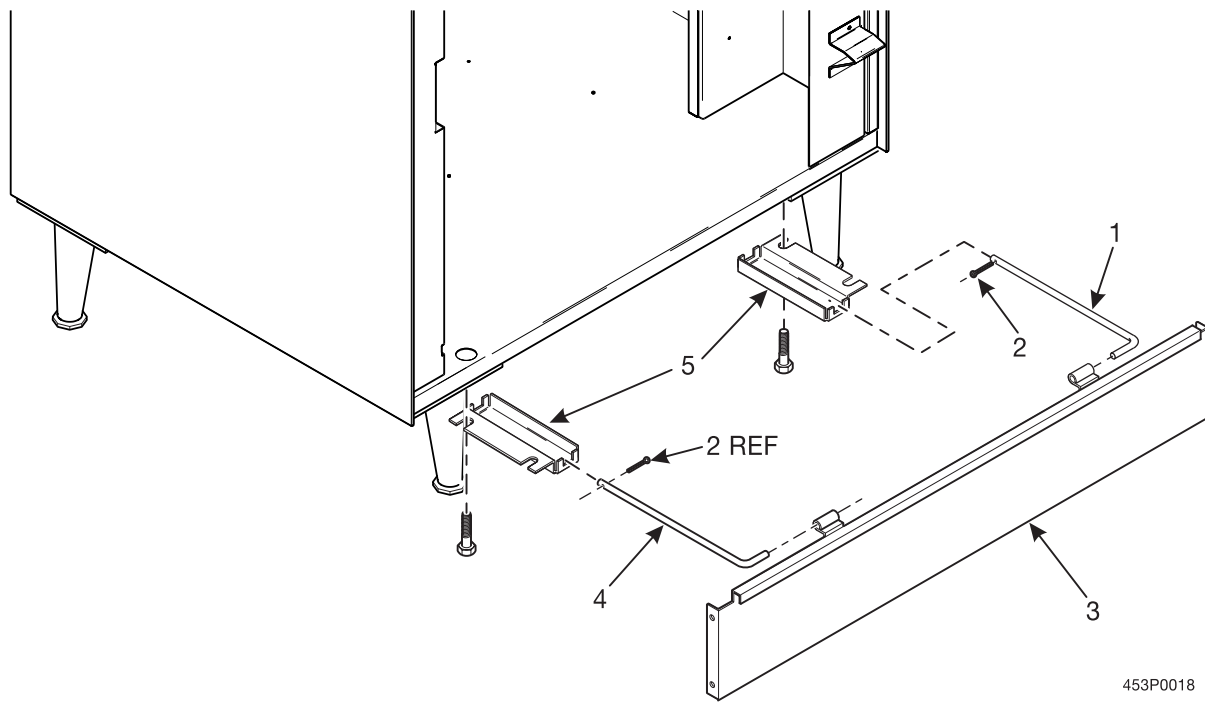


Figure 21. Accessories (Base Plate Assembly)



# Snackvender Models 170 - 171 Parts Manual

TABLE 22. ACCESSORIES (DOOR LOCK GUARD)

INDEX	PART NUMBER	DESCRIPTION	QTY.
-	1570763	DOOR LOCK GUARD	-
1	2222031	TEE BOLT - TRIM	4
2	9900081	NUT - #8-32 KEPS ZINC PLATE	4

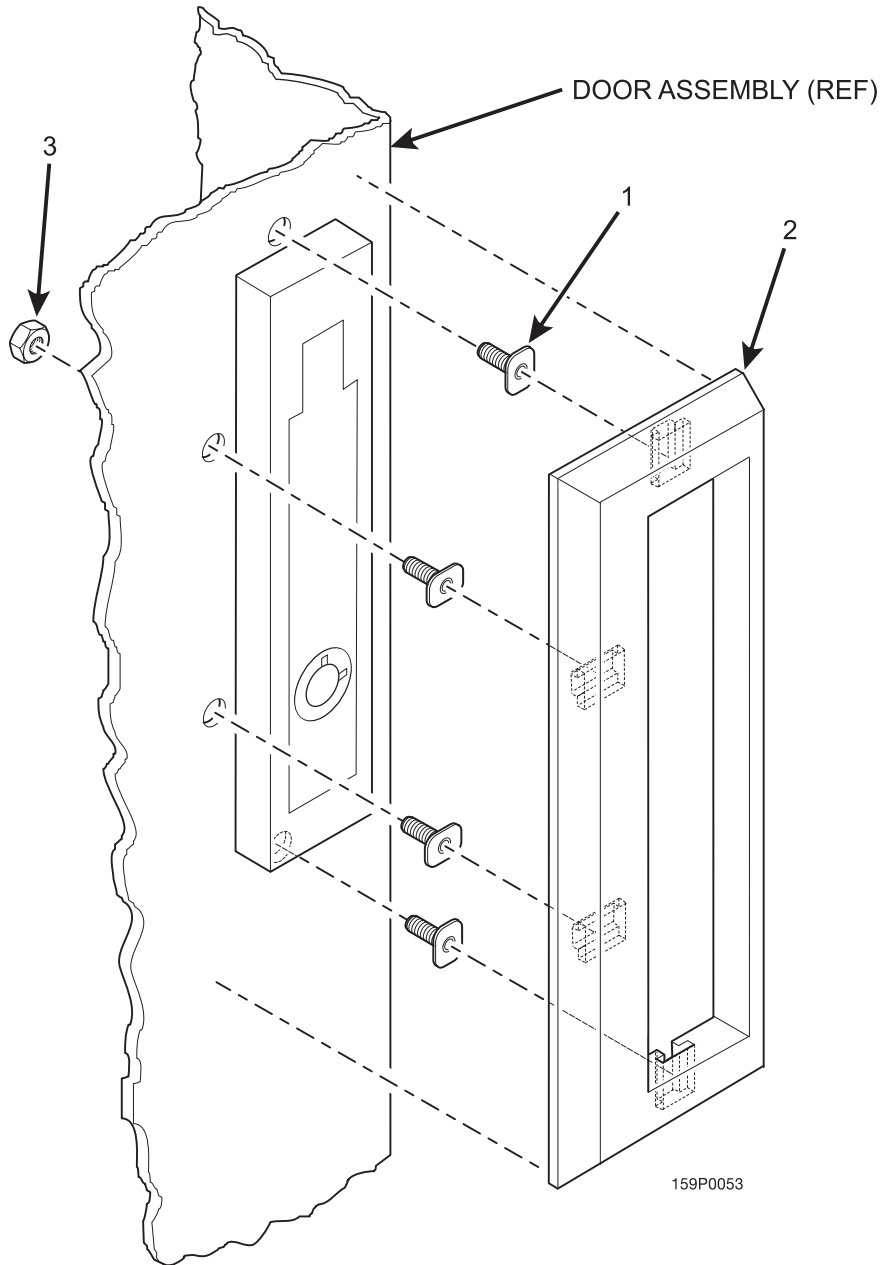


Figure 22. Accessories (Door Lock Guard)

**1709017  
TRAY EXTENSION HARNESS**

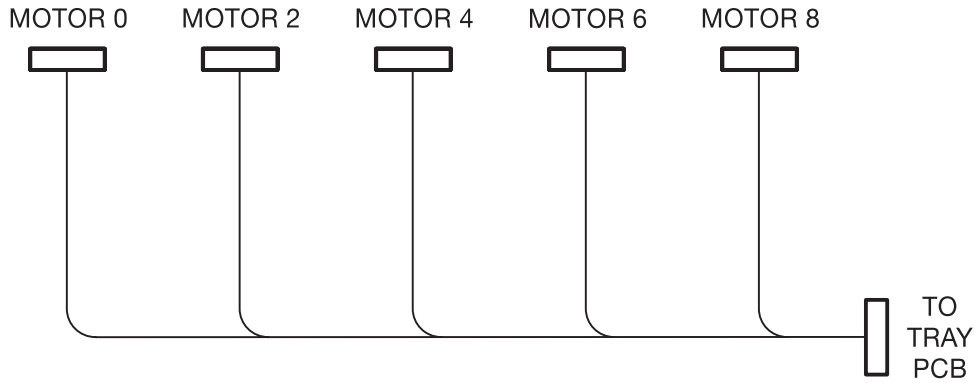


**DEX PRINTER INTERFACE HARNESS**

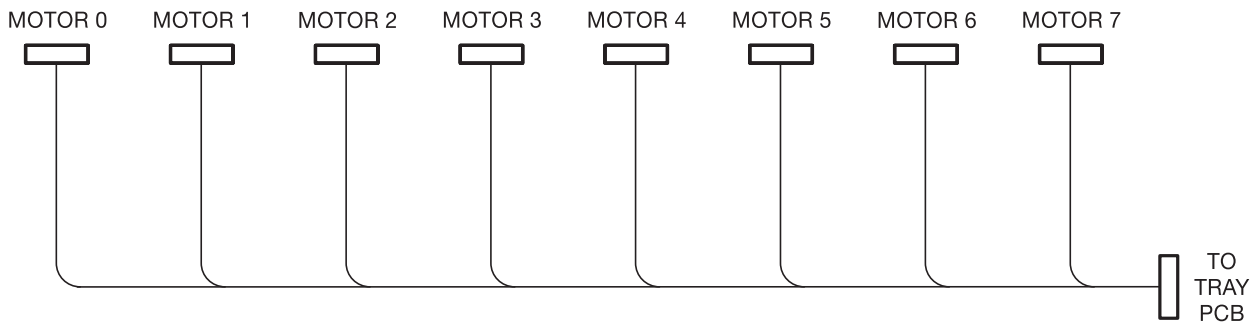


Figure 23. Accessories (Tray Extension Harness)

**1709012**  
**5 MOTOR TRAY HARNESS**



**1709013**  
**8 MOTOR TRAY HARNESS**



**1709014**  
**10 MOTOR TRAY HARNESS**

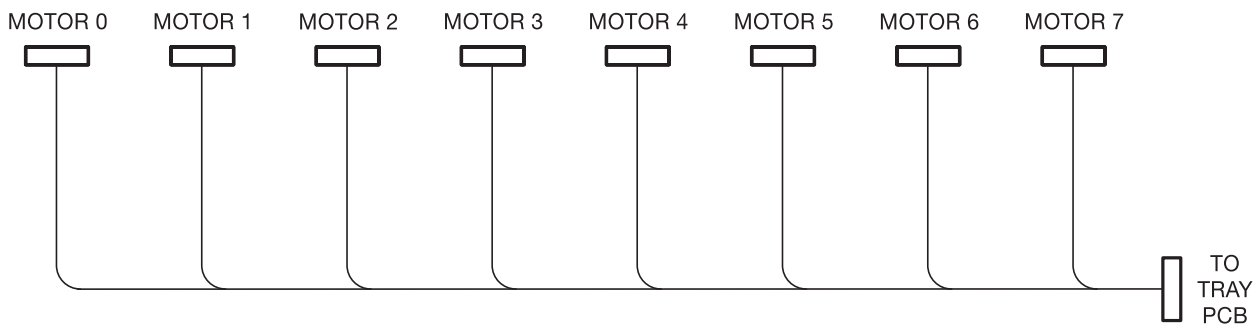
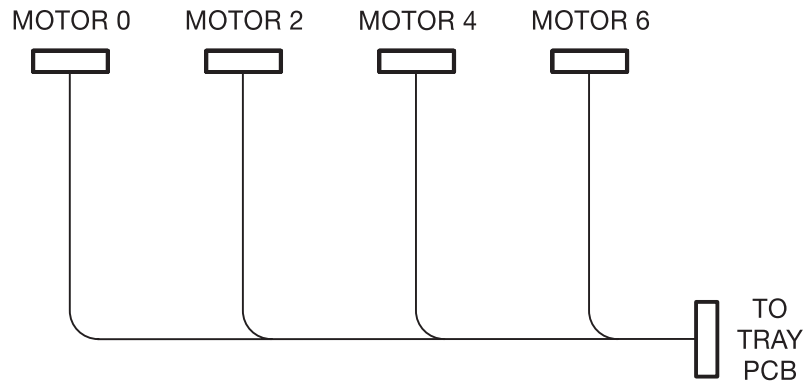


Figure 24. Accessories (DEX Printer Interface Harness)

**1709011**  
**4 MOTOR TRAY HARNESS**



**4279013**  
**24 VOLT DUMB COIN MECH HARNESS**



**1709003**  
**24 VOLT PCB POWER HARNESS**

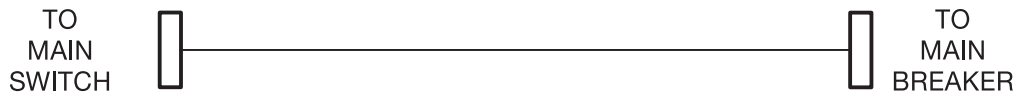


Figure 25. Wiring Harnesses (Part 1 of 6)

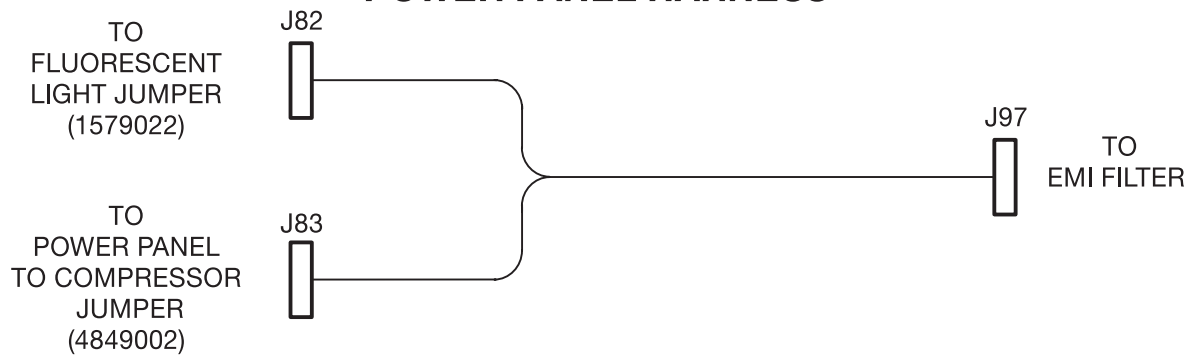
**9989706  
MDB HARNESS**



**1709006  
MAIN SWITCH TO BREAKER JUMPER**



**1709000  
POWER PANEL HARNESS**



**1579022  
POWER PANEL TO FLUORESCENT LIGHT JUMPER**



Figure 25. Wiring Harnesses (Part 2 of 6)

**1709001**  
**120V XFMR PRIMARY JUMPER**

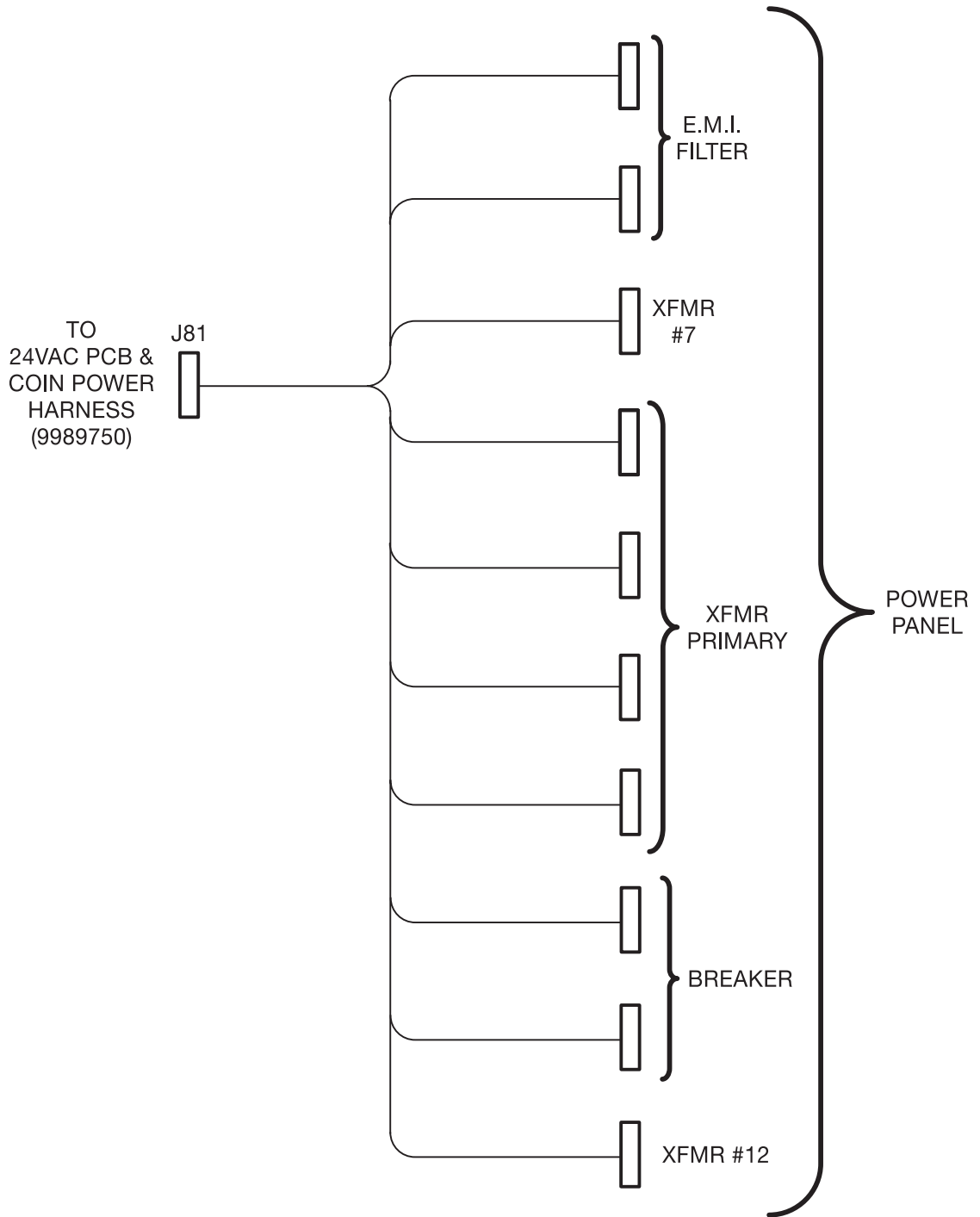


Figure 25. Wiring Harnesses (Part 3 of 6)

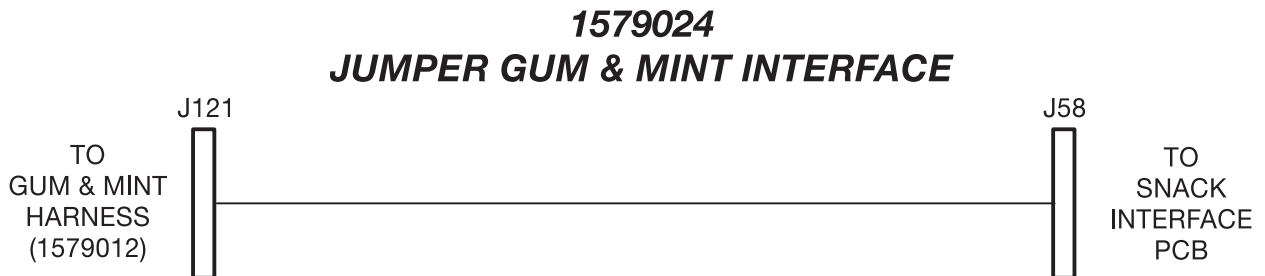
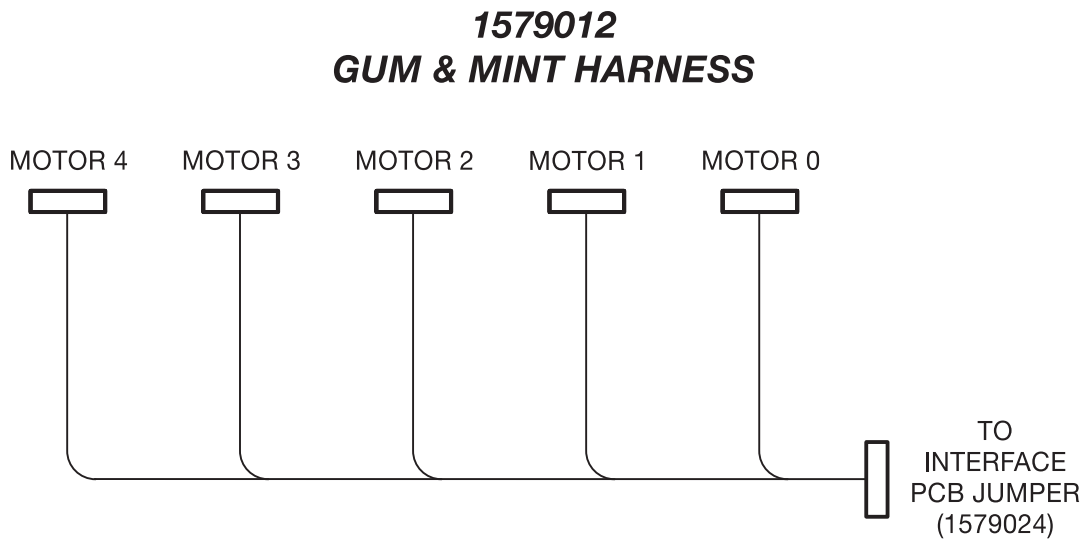
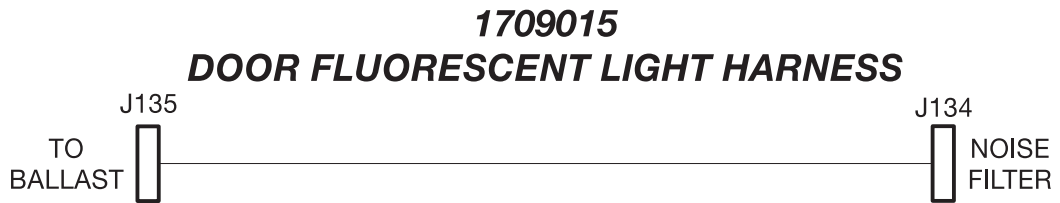


Figure 25. Wiring Harnesses (Part 4 of 6)

**1599009**  
**6 TRAY CHANNEL HARNESS**

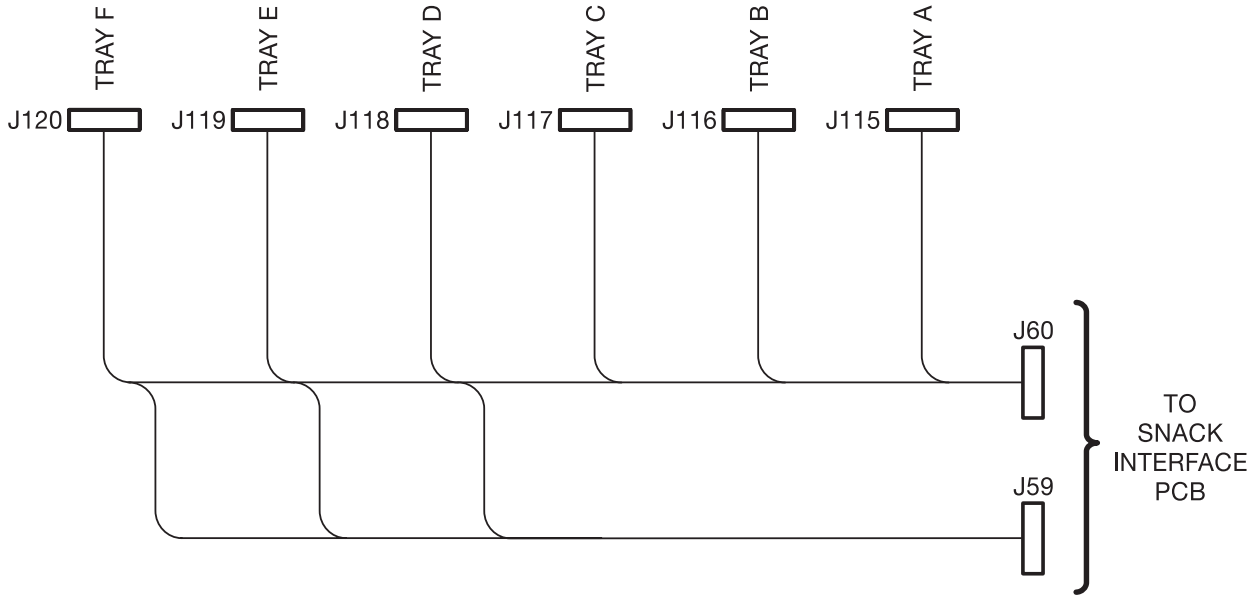


Figure 25. Wiring Harnesses (Part 5 of 6)



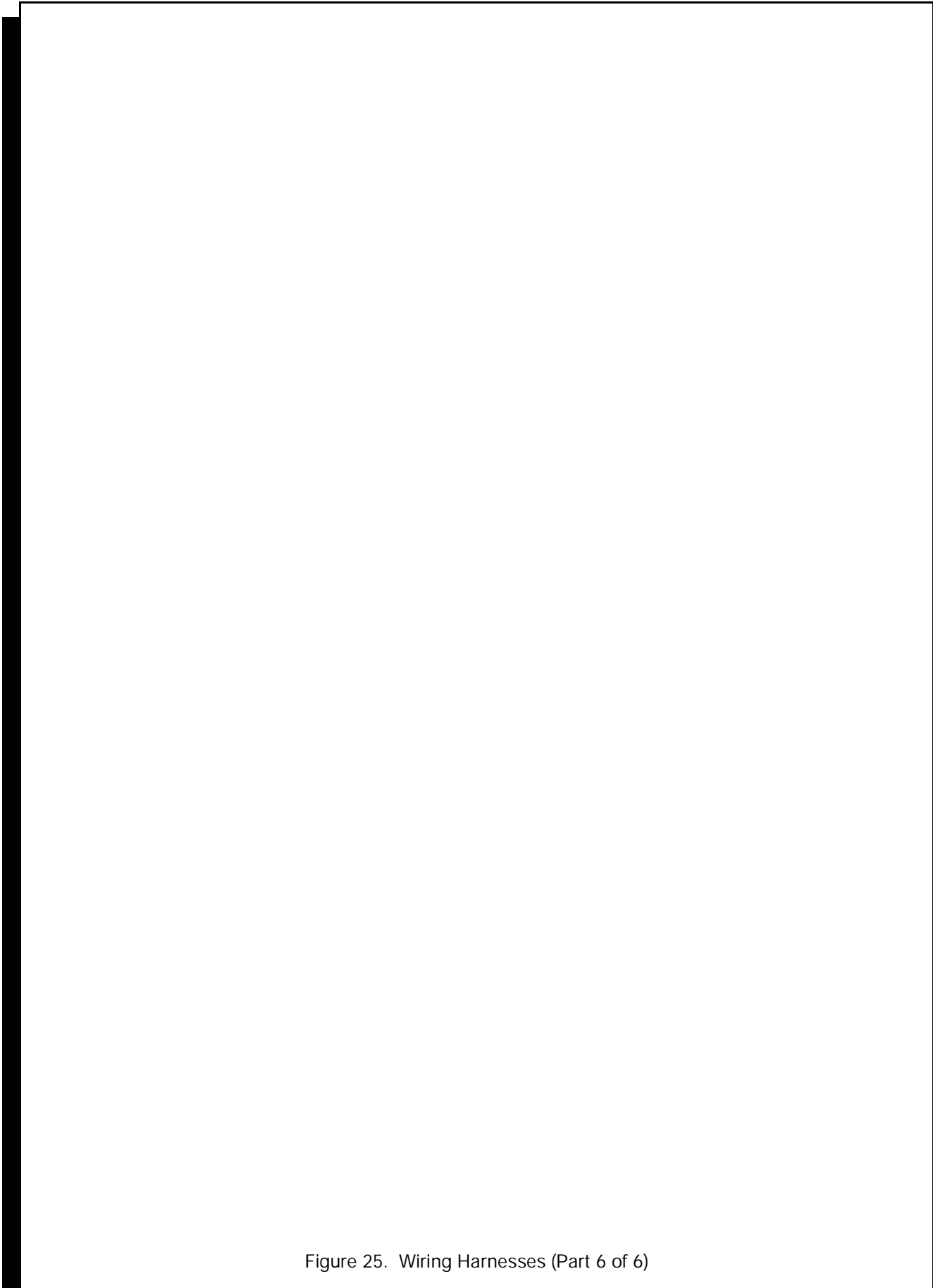


Figure 25. Wiring Harnesses (Part 6 of 6)

## PART NUMBER INDEX

PART NUMBER .....	PAGE	PART NUMBER.....	PAGE
1122138 .....	15	1472142 .....	17
1127808 .....	43	1472145 .....	19
1142017 .....	13	1472156 .....	19
1172115 .....	15	1472178 .....	7
1172191 .....	5	1472200 .....	19
1211105 .....	11, 13	1472219 .....	19
1211110 .....	51	1472223 .....	41
1211112 .....	39	1472228 .....	19
1217161 .....	5	1472251 .....	47
1302289 .....	5	1472271 .....	19
1302290 .....	5	1472272 .....	19
1302291 .....	5	1472288 .....	19
1302324 .....	5	1472802 .....	21
1302326 .....	5	1475026 .....	43
1407048 .....	21	1475072 .....	43
1411194 .....	54	1475089 .....	47
1411195 .....	54	1477097 .....	33, 35
1412022 .....	19	1477107 .....	36
1412023 .....	19	1477113 .....	33, 35
1412028 .....	19	1477148 .....	33, 35
1412046 .....	23	1477155 .....	36
1412047 .....	19	1479052 .....	21
1437204 .....	23, 41	1479062 .....	23
1451041 .....	13	1479063 .....	23
1451093 .....	39	1479064 .....	23
1451097 .....	9, 23	1479073 .....	23
1451124 .....	15	1479076 .....	23
1452059 .....	9	1479077 .....	23
1452076 .....	15	1479078 .....	25
1452139 .....	15, 21	1479079 .....	25
1457027 .....	23	1479080 .....	25
1457061 .....	36	1479081 .....	25
1457062 .....	36	1479082 .....	25
1457063 .....	36	1479083 .....	25
1462035 .....	19	1479084 .....	25
1462073 .....	19	1479089 .....	23
1471090 .....	27, 29	1479092 .....	23
1471098 .....	39	1479095 .....	23
1471237 .....	39	1479097 .....	25
1471283 .....	39	1479098 .....	25
1472048 .....	9	1479099 .....	25
1472068 .....	19	1479101 .....	23
1472069 .....	19	1479102 .....	23
1472083 .....	19	1479103 .....	23
1472087 .....	19	1479104 .....	23
1472088 .....	19	1479105 .....	25
1472105 .....	19	1479106 .....	25
1472108 .....	19	1479117 .....	23
1472132 .....	13	1479119 .....	23
1472137 .....	19	1479120 .....	23
1472138 .....	19	1479123 .....	23

# Snackvendor Models 170 - 171 Parts Manual

PART NUMBER.....	PAGE	PART NUMBER.....	PAGE
1479124 .....	23	1572028 .....	9
1479127 .....	21	1572029 .....	19
1479130 .....	21	1572039 .....	15
1479136 .....	21, 23	1572040 .....	23
1479139 .....	23	1572043 .....	17
1479140 .....	9	1575003 .....	43
1479145 .....	23	1575009 .....	47
1482002 .....	19	1575013 .....	41
1482159 .....	19, 21	1575035 .....	41
1482163 .....	19	1575047 .....	7
1482171 .....	19	1575048 .....	43, 45
1482187 .....	19	1575068 .....	41, 43
1482251 .....	19	1577000 .....	21, 23
1482252 .....	19	1577035 .....	23, 33, 35
1489004 .....	21	1579012 .....	61
1489005 .....	23	1579013 .....	58
1489006 .....	21	1579019 .....	56
1489008 .....	21, 23	1579024 .....	61
1570763 .....	55	1579053 .....	23
1570913 .....	45	1580893 .....	54
1570987 .....	45	1581023 .....	54
1570988 .....	45	1581039 .....	31
1570989 .....	45	1582005 .....	15
1570990 .....	45	1582024 .....	19
1570991 .....	45	1582025 .....	15
1570992 .....	45	1582075 .....	9
1570993 .....	45	1587000 .....	21, 23
1570994 .....	45	1590022 .....	33, 35
1570995 .....	45	1590025 .....	33, 35
1571022 .....	27	1590818 .....	3
1571029 .....	27	1592070 .....	9
1571037 .....	13	1592072 .....	9
1571074 .....	27	1592073 .....	9
1571078 .....	43	1592074 .....	3
1571085 .....	54	1595002 .....	47
1571091 .....	13	1595013 .....	47
1571097 .....	43	1595016 .....	3, 41, 47
1571098 .....	11	1596012 .....	27, 29
1571113 .....	43	1599009 .....	62
1571115 .....	39	1600817 .....	3
1571123 .....	31	1602014 .....	19
1571127 .....	39	1602034 .....	19
1571154 .....	43	1602038 .....	19
1571175 .....	29	1602039 .....	17
1571193 .....	49	1602052 .....	9
1572007 .....	11, 13	1602054 .....	9
1572009 .....	13	1602055 .....	9
1572010 .....	7	1602056 .....	3
1572011 .....	7	1602057 .....	3
1572020 .....	9	1602059 .....	1
1572027 .....	9	1700004 .....	36

# Snackvendor Models 170 - 171 Parts Manual

PART NUMBER .....	PAGE	PART NUMBER.....	PAGE
1700009 .....	41	1707042 .....	36
1700817 .....	45	1707043 .....	36
1700833 .....	45	1709000 .....	59
1700834 .....	45	1709001 .....	60
1700835 .....	45	1709003 .....	58
1700838 .....	3	1709006 .....	59
1701006 .....	27	1709011 .....	35, 58
1701008 .....	29	1709012 .....	35, 57
1701009 .....	27	1709013 .....	33, 57
1701014 .....	43	1709014 .....	33, 57
1701015 .....	49, 51	1709015 .....	15, 61
1701016 .....	43	1709017 .....	56
1701017 .....	43	1710838 .....	3
1701018 .....	1, 53	1711012 .....	53
1701025 .....	51	1711712 .....	1
1701026 .....	31	1712001 .....	3
1702000 .....	1	1717001 .....	33, 35
1702001 .....	3	1717002 .....	33, 35
1702002 .....	3	1717003 .....	35
1702007 .....	3	1717004 .....	33
1707001 .....	33, 35	2220493 .....	43
1707002 .....	33, 35	2222031 .....	33, 35, 55
1707003 .....	33, 35	2222095 .....	15
1707005 .....	36	2222124 .....	9
1707006 .....	36	2228011 .....	43
1707007 .....	36	2271408 .....	54
1707008 .....	36	2272052 .....	5
1707009 .....	36	2302053 .....	7, 41
1707010 .....	36	2302218 .....	15
1707011 .....	36	2342109 .....	19
1707012 .....	36	2342110 .....	19
1707014 .....	36	2351017 .....	31
1707015 .....	36	2470710 .....	45
1707016 .....	36	2570810 .....	45
1707017 .....	36	2570811 .....	45
1707018 .....	36	2570812 .....	45
1707019 .....	36	2570814 .....	45
1707024 .....	36	2570815 .....	45
1707025 .....	36	3107171 .....	15
1707026 .....	36	3108030 .....	21
1707027 .....	36	3112163 .....	5
1707028 .....	36	3112164 .....	5
1707029 .....	36	3122056 .....	23, 43
1707030 .....	33	3151058 .....	15
1707032 .....	33, 35	3502097 .....	33
1707035 .....	33	4041053 .....	23
1707037 .....	35	4042556 .....	19
1707038 .....	36	4242145 .....	11
1707039 .....	36	4245082 .....	7
1707040 .....	36	4245083 .....	7
1707041 .....	36	4245084 .....	7

# Snackvendor Models 170 - 171 Parts Manual

PART NUMBER .....	PAGE	PART NUMBER .....	PAGE
4246044 .....	19	6232208 .....	11
4246307 .....	23	6400804 .....	45
4270851 .....	45	6400805 .....	45
4272003 .....	41	9900020 .....	25
4276000 .....	43	9900030 .....	33, 35
4402016 .....	19	9900081 .....	23, 51, 55
4402017 .....	19	9900098 .....	54
5560113 .....	33, 35	9900121 .....	5
6106021 .....	49	9900201 .....	23
6131143 .....	23	9900425 .....	23
6152188 .....	15	9984629 .....	51
6231037 .....	43	9984630 .....	47
6231087 .....	54	9985043 .....	53
6231163 .....	39	9989046 .....	51
6231203 .....	39	9989100 .....	51
6231242 .....	27	9989672 .....	51
6232028 .....	11	9989674 .....	51
6232031 .....	11	9989706 .....	59
6232036 .....	11	9992400 .....	5