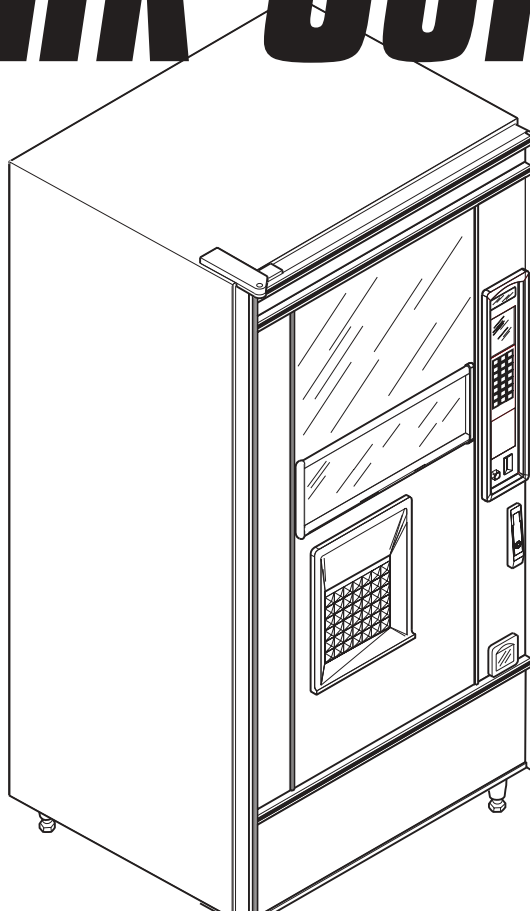


6390030

Model 631, 639

EuroTwin Drink Center



PARTS MANUAL

EuroTwin Drink Center Parts Manual

List of Figures

| Figure | Title | Page |
|--------|--|------|
| 1 | 631/639 Merchandiser | 1 |
| 2 | Trim - Standard Style..... | 2 |
| 3 | Millennia Trim - Part 1 | 6 |
| 4 | Millennia Trim - Part 2..... | 8 |
| 5 | Millennia Trim - Part 3..... | 10 |
| 6 | Door Assembly Exterior - Standard Style | 12 |
| 7 | Door Assembly Exterior - Millennia Style | 14 |
| 8 | Door Assembly Interior - All Styles..... | 16 |
| 9 | Center Panel Assembly - Not Backlit..... | 18 |
| 10 | Center Panel Assembly - Backlit..... | 20 |
| 11 | Lighting Assembly - Backlit POP | 22 |
| 12 | Coin Receptacle Assemblies..... | 24 |
| 13 | Door Lock Guard Accessory and Lock Assembly - Standard..... | 26 |
| 14 | Door Lock Handle Assembly - Millennia Style | 28 |
| 15 | Cup Mechanism and Canister Assembly..... | 30 |
| 16 | Turret and Canister Assembly | 32 |
| 17 | Mechanism Assembly..... | 34 |
| 18 | Cup Ring Assembly..... | 36 |
| 19 | Cup Mechanism Mounting Bracket Assembly..... | 38 |
| 20 | Delivery Door Options | 40 |
| 21 | Monetary Panel Assembly - Part 1 | 42 |
| 22 | Monetary Panel Assembly - Part 2 | 44 |
| 23 | Faceplate Assembly..... | 46 |
| 24 | Monetary Inserts - Upper Position..... | 48 |
| 25 | Monetary Inserts - Lower Position | 49 |
| 26 | Card Reader and Bill Validator Options..... | 50 |
| 27 | Cabinet Assembly - Inner Layer..... | 54 |
| 28 | Cabinet Assembly - Part 2 | 56 |
| 29 | Cabinet Assembly - Part 3 | 58 |
| 30 | Cabinet Assembly - Part 4 | 60 |
| 31 | Cabinet Assembly - Part 5 | 62 |
| 32 | Cabinet Assembly - Part 6..... | 64 |
| 33 | Service Light/Bracket Assembly | 66 |
| 34 | Hot Water Tank Assembly - Part 1..... | 68 |
| 35 | Hot Water Tank Assembly - Part 2 (Additional Components for Nestle Options)..... | 70 |
| 36 | Water Tank Lid Assembly..... | 72 |
| 37 | Bracket, Blower, and Cover Assembly - Fresh Brew..... | 74 |
| 38 | Bracket, Blower, and Cover Assembly - Freeze Dry | 76 |
| 39 | Leg, Leveler, and Leg and Hinge Assemblies..... | 78 |
| 40 | Power Panel Assembly - 230 V - UK..... | 80 |
| 41 | Power Panel Assembly - 230 V - Fr/Ger | 82 |
| 42 | Single Brewer Assembly (No Filter) | 84 |
| 43 | Single Brewer Assembly (With Filter) | 86 |
| 44 | Swing Arm Assembly - Detail..... | 88 |
| 45 | Barrel Assembly - Single Brewer | 90 |
| 46 | Rack Assembly - Single Brewer..... | 92 |
| 48 | Paper Mechanism Assembly - Single Brewer | 94 |
| 49 | Filter Paper Housing and Cover | 96 |
| 50 | Brewer Drive Assembly | 98 |

EuroTwin Drink Center Parts Manual

| Figure | Title | Page |
|--------|--|------|
| 51 | Mixing Bowl and Brewer Ventilation System..... | 100 |
| 52 | Front Vent Assemblies - Fresh Brew..... | 102 |
| 53 | Front Vent Assemblies - Freeze Dry | 104 |
| 54 | Rear Vent Assemblies..... | 106 |
| 55 | Canister Options and Positions | 108 |
| 56 | Canister Assembly 6337022 | 110 |
| 57 | Canister Assembly 6337023 | 112 |
| 58 | Canister Assembly 6407043 | 114 |
| 59 | Canister Assembly 6237420 | 116 |
| 60 | Canister Assembly 6537022 | 118 |
| 61 | Canister Assembly 6537025 | 120 |
| 62 | Canister Assembly 6237446 | 122 |
| 63 | Canister Assembly 6537024 | 124 |
| 64 | Canister Assembly 6537023 | 126 |
| 65 | Product and Condiment Chutes - Part 1..... | 128 |
| 66 | Product and Condiment Chutes - Part 2..... | 130 |
| 67 | Support Channel Assembly | 132 |
| 68 | Regulator Assembly..... | 134 |
| 69 | Mixing Bowl and Whipper Positions..... | 136 |
| 70 | Mixing Bowl Assemblies..... | 138 |
| 71 | Standard Whipper Assemblies..... | 140 |
| 72 | Nestle Whipper Assemblies..... | 142 |
| 73 | Canister Motor Options and Assemblies | 144 |
| 74 | Drycool™ Refrigeration Module - Part 1 | 146 |
| 75 | Drycool™ Refrigeration Module - Part 2..... | 148 |
| 76 | Drycool™ Refrigeration Module - Part 3..... | 150 |
| 77 | Condensing Unit Detail | 152 |
| 78 | Carbonator Assembly Detail..... | 154 |
| 79 | Cup Station Assembly - Part 1..... | 156 |
| 80 | Cup Station Assembly - Part 2..... | 158 |
| 81 | Cup Station Support/Tube & Nozzle Assembly | 160 |
| 82 | Mug Sensor Options | 162 |
| 83 | Overflow Switch Assembly | 164 |
| 84 | Air Compressor Assembly | 166 |
| 85 | Water Supply - With Everpure Water Filter | 168 |
| 86 | Water Supply - With Hydrolife Water Filter | 170 |
| 87 | Spray Hose and Hot Water Tank Overflow | 172 |
| 88 | Liquid Distribution System - Fresh Brew - Part 1 | 174 |
| 89 | Liquid Distribution System - Fresh Brew - Part 2 | 176 |
| 90 | Liquid Distribution System - Freeze Dry | 178 |
| 91 | Overall Wiring Harnesses | 180 |
| 92 | Power Panel Wiring Harnesses..... | 184 |
| 98 | Base Plate Assembly and Side Panels | 190 |
| 99 | Ingredient Drain Tray Accessory..... | 192 |
| 101 | Data Printer Interface Accessory | 193 |

EuroTwin Drink Center Parts Manual

List of Tables

| Table | Title | Page |
|-------|--|------|
| 1 | 631/639 Merchandiser | 1 |
| 2 | Trim - Standard Style..... | 3 |
| 2A | Panels - Top Trim | 4 |
| 2B | Panels - Right Hand Trim | 4 |
| 2C | Panels - Bottom Trim | 5 |
| 2D | Panels - Left Hand Trim | 5 |
| 3 | Millennia Trim - Part 1 | 7 |
| 4 | Millennia Trim - Part 2..... | 9 |
| 5 | Millennia Trim - Part 3..... | 11 |
| 6 | Door Assembly Exterior - Standard Style | 13 |
| 7 | Door Assembly Exterior - Millennia Style | 15 |
| 8 | Door Assembly Interior - All Styles..... | 17 |
| 9 | Center Panel Assembly - Not Backlit..... | 19 |
| 10 | Center Panel Assembly - Backlit..... | 21 |
| 11 | Lighting Assembly - Backlit POP | 23 |
| 12 | Coin Receptacle Assemblies..... | 25 |
| 13 | Door Lock Guard Accessory and Lock Assembly - Standard..... | 27 |
| 14 | Door Lock Handle Assembly - Millennia Style | 29 |
| 15 | Cup Mechanism and Canister Assembly..... | 31 |
| 16 | Turret and Canister Assembly | 33 |
| 17 | Mechanism Assembly..... | 35 |
| 18 | Cup Ring Assembly..... | 37 |
| 19 | Cup Mechanism Mounting Bracket Assembly..... | 39 |
| 20 | Delivery Door Options | 41 |
| 21 | Monetary Panel Assembly - Part 1 | 43 |
| 22 | Monetary Panel Assembly - Part 2 | 45 |
| 23 | Faceplate Assembly..... | 47 |
| 26 | Card Reader and Bill Validator Options..... | 51 |
| 26A | Bill Validator Options - "Serial" | 51 |
| 26B | Bill Validator Options - "Pulse" | 51 |
| 26C | Bill Validator Options - "Mdb" | 52 |
| 26D | Card Readers..... | 52 |
| 26E | Coin Mech Options - "Dumb"..... | 52 |
| 26F | Coin Mech Options - "MDB"..... | 53 |
| 27 | Cabinet Assembly - Inner Layer..... | 55 |
| 28 | Cabinet Assembly - Part 2 | 57 |
| 29 | Cabinet Assembly - Part 3 | 59 |
| 30 | Cabinet Assembly - Part 4 | 61 |
| 31 | Cabinet Assembly - Part 5 | 63 |
| 32 | Cabinet Assembly - Part 6..... | 65 |
| 33 | Service Light/Bracket Assembly | 67 |
| 34 | Hot Water Tank Assembly - Part 1..... | 69 |
| 35 | Hot Water Tank Assembly - Part 2 (Additional Components for Nestle Options)..... | 71 |
| 36 | Water Tank Lid Assembly..... | 73 |
| 37 | Bracket, Blower, and Cover Assembly - Fresh Brew..... | 75 |
| 38 | Bracket, Blower, and Cover Assembly - Freeze Dry | 77 |
| 39 | Leg, Leveler, and Leg and Hinge Assemblies | 79 |
| 40 | Power Panel Assembly - 230 V - UK..... | 81 |
| 41 | Power Panel Assembly - 230 V - Fr/Ger..... | 83 |

EuroTwin Drink Center Parts Manual

| Table | Title | Page |
|-------|--|------|
| 42 | Single Brewer Assembly (No Filter) | 85 |
| 43 | Single Brewer Assembly (With Filter) | 87 |
| 44 | Swing Arm Assembly - Detail | 89 |
| 45 | Barrel Assembly - Single Brewer | 91 |
| 47 | Rack Assembly - Single Brewer | 93 |
| 48 | Paper Mechanism Assembly - Single Brewer | 95 |
| 49 | Filter Paper Housing and Cover | 97 |
| 50 | Brewer Drive Assembly | 99 |
| 51 | Mixing Bowl and Brewer Ventilation System | 101 |
| 52 | Front Vent Assemblies - Fresh Brew | 103 |
| 52A | Usage of Front Vent Assembly Items in Vent Assemblies - Fresh Brew | 103 |
| 53 | Front Vent Assemblies - Freeze Dry | 105 |
| 53A | Usage of Front Vent Assembly Items in Vent Assemblies - Freeze Dry | 105 |
| 54 | Rear Vent Assemblies | 107 |
| 55 | Canister Options and Positions | 109 |
| 56 | Canister Assembly 6337022 | 111 |
| 57 | Canister Assembly 6337023 | 113 |
| 58 | Canister Assembly 6407043 | 115 |
| 59 | Canister Assembly 6237420 | 117 |
| 60 | Canister Assembly 6537022 | 119 |
| 61 | Canister Assembly 6537025 | 121 |
| 62 | Canister Assembly 6237446 | 123 |
| 63 | Canister Assembly 6537024 | 125 |
| 64 | Canister Assembly 6537023 | 127 |
| 65 | Product and Condiment Chutes - Part 1 | 129 |
| 66 | Product and Condiment Chutes - Part 2 | 131 |
| 67 | Support Channel Assembly | 133 |
| 68 | Regulator Assembly | 135 |
| 69 | Mixing Bowl and Whipper Positions | 137 |
| 70 | Mixing Bowl Assemblies | 139 |
| 71 | Standard Whipper Assemblies | 141 |
| 72 | Nestle Whipper Assemblies | 143 |
| 73 | Canister Motor Options and Assemblies | 145 |
| 74 | Drycool™ Refrigeration Module - Part 1 | 147 |
| 75 | Drycool™ Refrigeration Module - Part 2 | 149 |
| 76 | Drycool™ Refrigeration Module - Part 3 | 151 |
| 77 | Condensing Unit Detail | 153 |
| 78 | Carbonator Assembly Detail | 155 |
| 79 | Cup Station Assembly - Part 1 | 157 |
| 80 | Cup Station Assembly - Part 2 | 159 |
| 81 | Cup Station Support/Tube & Nozzle Assembly | 161 |
| 82 | Mug Sensor Options | 163 |
| 83 | Overflow Switch Assembly | 165 |
| 84 | Air Compressor Assembly | 167 |
| 85 | Water Supply - With Everpure Water Filter | 169 |
| 86 | Water Supply - With Hydrolife Water Filter | 171 |
| 87 | Spray Hose and Hot Water Tank Overflow | 173 |
| 88 | Liquid Distribution System - Fresh Brew - Part 1 | 175 |
| 89 | Liquid Distribution System - Fresh Brew - Part 2 | 177 |
| 90 | Liquid Distribution System - Freeze Dry | 179 |
| 91 | Overall Wiring Harnesses | 181 |
| 92 | Power Panel Wiring Harnesses | 185 |

EuroTwin Drink Center Parts Manual

| Table | Title | Page |
|-------|---|------|
| 93 | Bag Assembly B6390000 - U.K. | 186 |
| 94 | Bag Assembly B6390001 - Germany | 186 |
| 95 | Bag Assembly B6390002 - France | 187 |
| 96 | Bag Assembly B6390003 - South America/230 V/Spanish | 188 |
| 97 | Bag Assembly B6390004 - Chile | 189 |
| 98 | Base Plate Assembly and Side Panels | 191 |
| 99 | Ingredient Drain Tray Accessory | 193 |
| 100 | DEX Printer Interface Accessory | 193 |
| 101 | Data Printer Interface Accessory | 193 |

EuroTwin Drink Center Parts Manual

TABLE 1. 631/639 MERCHANDISER

| INDEX | PART NUMBER | DESCRIPTION | QTY |
|-------|-------------|--|-----|
| 1 | - | CABINET ASSEMBLY (FIGURES 27 THROUGH 32) | 1 |
| 2 | - | DOOR ASSEMBLY - MILLENNIA STYLE SHOWN (FIGURE 7) | 1 |
| 3 | - | BASE PLATE ACCESSORY (FIGURE 98) | OPT |

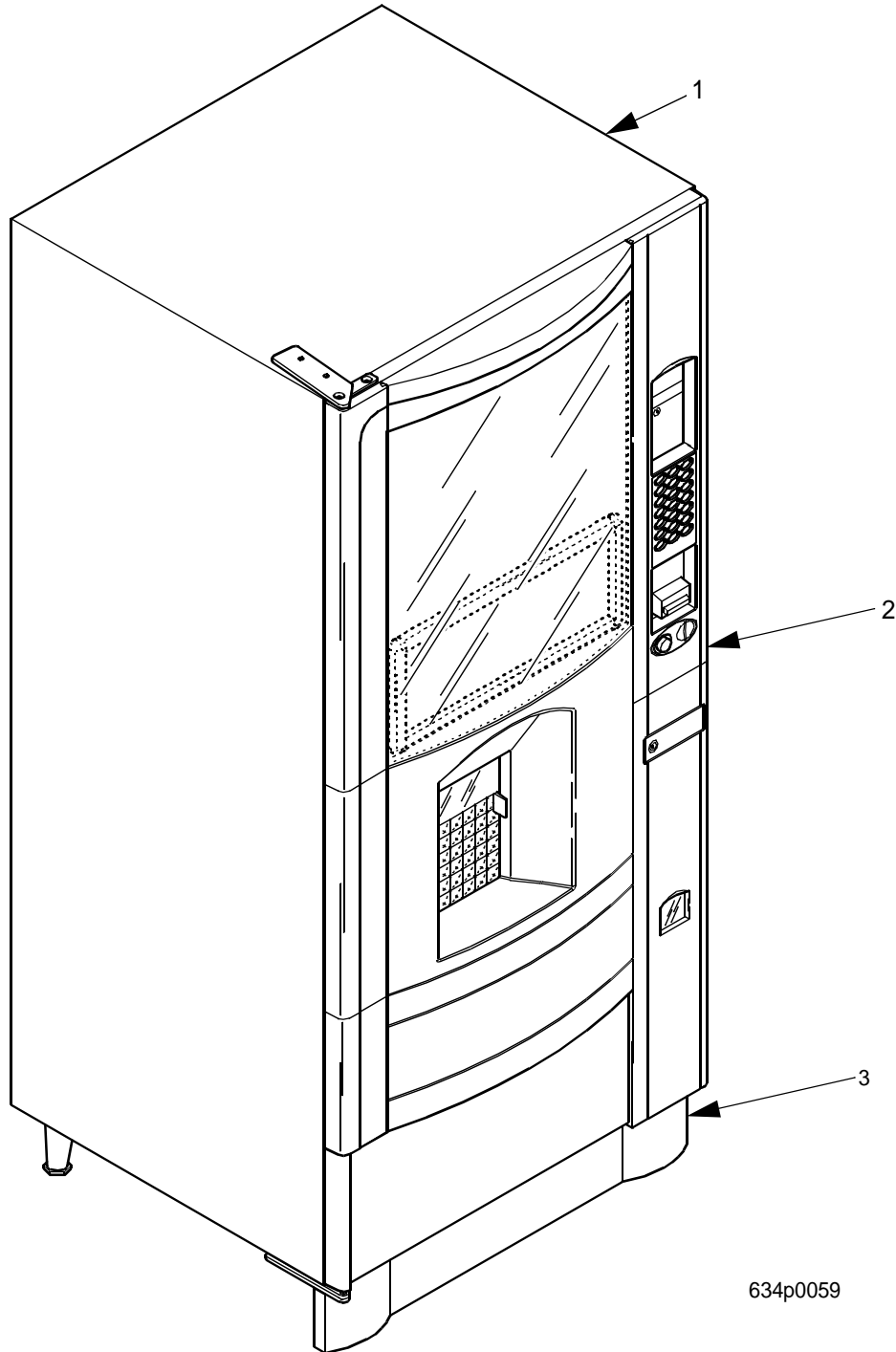
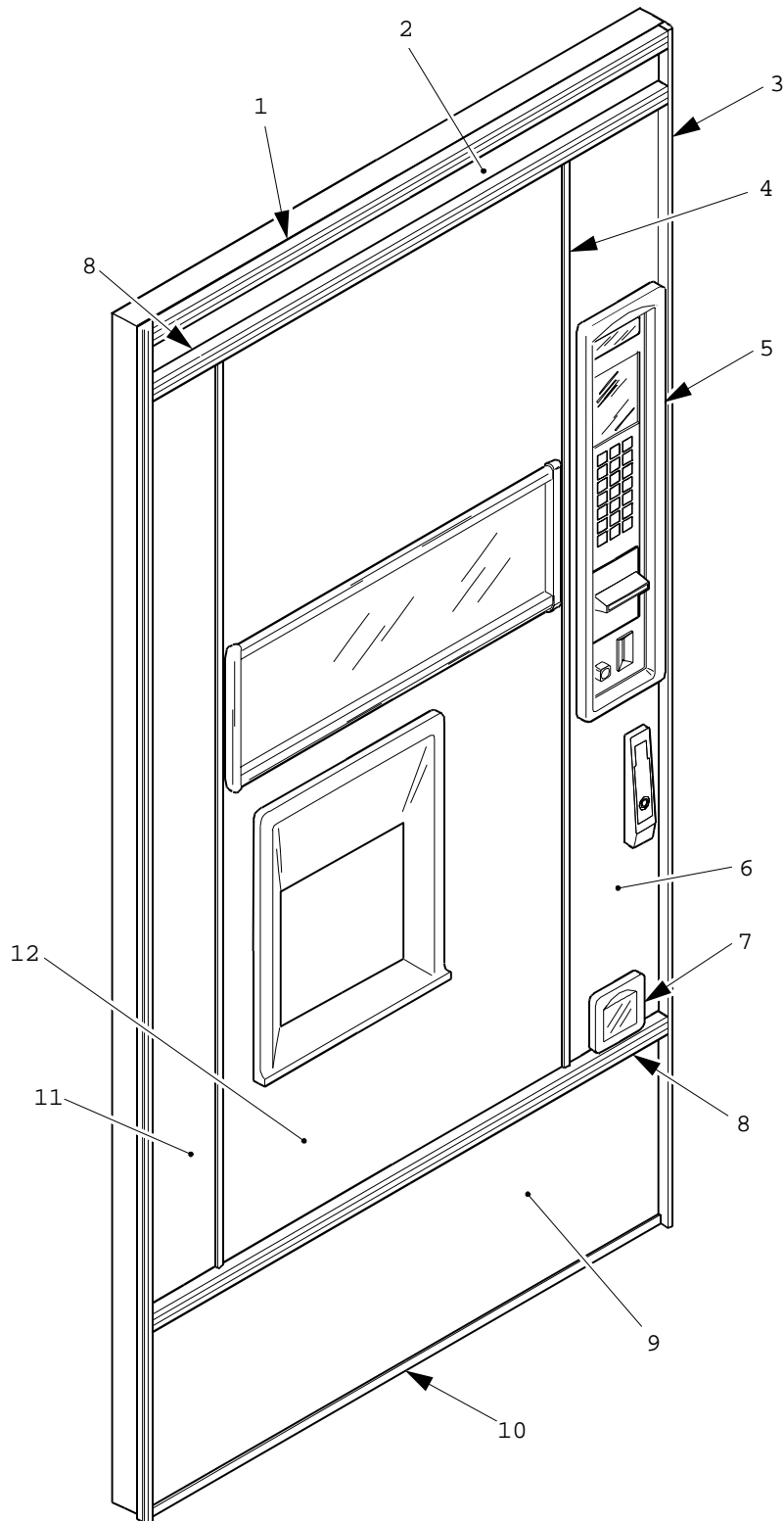


Figure 1. 631/639 Merchandiser

EuroTwin Drink Center Parts Manual



634p001!

Figure 2. Trim - Standard Style

EuroTwin Drink Center Parts Manual

TABLE 2. TRIM - STANDARD STYLE

| INDEX | PART NUMBER | DESCRIPTION | QTY |
|-------|-------------|---|-----|
| 1 | 1482109 | TRIM ASSY-DOOR-TOP-IMPERIAL CROWN (CLEAR TRIM-BLACK INSERT) | 1 |
| | 1482126 | TRIM ASSY-DOOR-TOPSIGNATURE (BLACK TRIM-BLACK INSERT) | |
| 2 | - | PANEL-TOP TRIM (TABLE 2A) | 1 |
| 3 | 1302409 | TRIM-DOOR-SIDE (CLEAR) | 2 |
| | 1452203 | TRIM DOOR-SIDE-BLACK-IBM | |
| 4 | 1472190 | TRIM-VERTICAL | 2 |
| 5 | 1575047 | CASTING-MONETARY FRAME-BLACK | 1 |
| 6 | - | PANEL-RIGHT HAND TRIM (TABLE 2B) | 1 |
| 7 | 1572011 | TRIM-COIN CUP-BLACK | 1 |
| 8 | 1482113 | TRIM-ASSY-DOOR-HORIZONTAL-I (CLEAR TRIM-BLACK INSERT) | 2 |
| 9 | - | PANEL-BOTTOM TRIM (TABLE 2C) | 1 |
| 10 | 1482003 | EDGE PROTECTOR-BOTTOM | 1 |
| 11 | - | PANEL-LEFT HAND TRIM (TABLE 2D) | 1 |

EuroTwin Drink Center Parts Manual

TABLE 2A. PANELS - TOP TRIM

| PART NUMBER | DESCRIPTION |
|--------------------|---------------------|
| 1482106 | PRESIDENTIAL WALNUT |
| 1482245 | BLACK PICA |
| 1482231 | ENAMELED |
| 4742004 | VINYL SPECIAL |
| 1482229 | STERLING |
| 1482147 | TEAK |
| 1482178 | FORMICA SPECIAL |
| 1482248 | BISON BLACK |
| 1482114 | DOVE |
| 1482116 | SLATE |
| 1582006 | NU WHITE |
| 1482240 | WHITE HAIRCELL |
| 1482123 | BLACK HAIRCELL |
| 1582016 | "T"WHITE |

TABLE 2B. PANELS - RIGHT HAND TRIM

| PART NUMBER | DESCRIPTION |
|--------------------|------------------------|
| 1572195 | -PORT AU PRINCE |
| 1572193 | PORT AU PRINCE-NO COIN |
| 1572160 | VINYL SPECIAL |
| 1572123 | ENAMELED |
| 1572149 | PRESIDENTIAL WALNUT |
| 1572101 | STERLING |
| 1572121 | STERLING-NO COIN |
| 1572157 | TEAK |
| 1572126 | FORMICA SPECIAL |
| 1572115 | COMPOSITION OAK |
| 1572144 | PLATINUM GREY |
| 1572163 | WHITE HAIRCELL |
| 1572109 | BLACK HAIRCELL |
| 1572170 | "T"WHITE |
| 1572106 | BLACK PICA |
| 1572139 | MOROCCO GREY |
| 1572118 | DOVE GREY |
| 1572152 | SLATE |
| 1572130 | NU WHITE |
| 1572141 | PEWTER |

EuroTwin Drink Center Parts Manual

TABLE 2C. PANELS - BOTTOM TRIM

| PART NUMBER | DESCRIPTION |
|--------------------|---------------------|
| 1482223 | PRESIDENTIAL WALNUT |
| 4742005 | VINYL SPECIAL |
| 1482232 | ENAMELED |
| 1482222 | STERLING |
| 1482210 | TEAK |
| 1482227 | FORMICA SPECIAL |
| 1482198 | PLATINUM GREY |
| 1482196 | COMPOSITION OAK |
| 1482242 | WHITE HAIRCELL |
| 1482247 | BLACK PICA |
| 1482250 | BISON BLACK |
| 1482225 | DOVE |
| 1482226 | SLATE |
| 1582008 | NU WHITE |
| 1482214 | BLACK HAIRCELL |
| 1582017 | "T" WHITE |

TABLE 2D. PANELS - LEFT HAND TRIM

| PART NUMBER | DESCRIPTION |
|--------------------|---------------------|
| 1572194 | PORT AU PRINCE |
| 1572159 | VINYL SPECIAL |
| 1572122 | ENAMELED |
| 1572148 | PRESIDENTIAL WALNUT |
| 1572100 | STERLING |
| 1572156 | TEAK |
| 1572125 | FORMICA SPECIAL |
| 1572143 | PLATINUM GREY |
| 1572114 | COMPOSITION OAK |
| 1572162 | WHITE HAIRCELL |
| 1572105 | BLACK PICA |
| 1572138 | MOROCCO GREY |
| 1572117 | DOVE GREY |
| 1572151 | SLATE |
| 1572140 | PEWTER |
| 1572129 | NU WHITE |
| 1572108 | BLACK HAIRCELL |
| 1572198 | "T" WHITE |

EuroTwin Drink Center Parts Manual

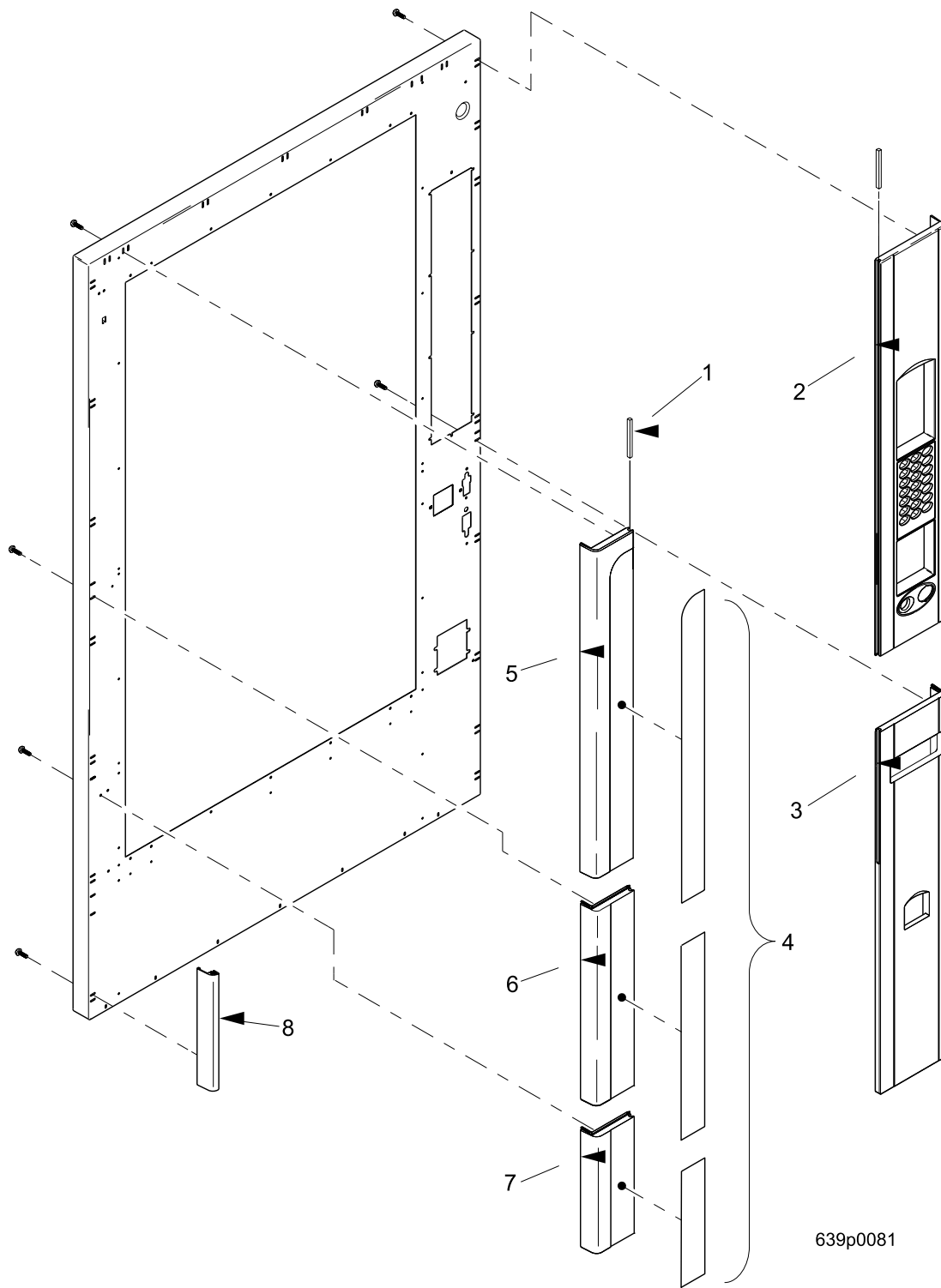


Figure 3. Millennium Trim - Part 1

EuroTwin Drink Center Parts Manual

TABLE 3. MILLENNIA TRIM - PART 1

| INDEX | PART NUMBER | DESCRIPTION | QTY |
|--------------|--------------------|--|------------|
| 1 | 1572259 | FILLER-GROOVE-SHORT-GREY | 2 |
| | 1572393 | FILLER-GROOVE-SHORT-BLACK | |
| 2 | 1572254 | RIGHT HAND TRIM-UPPER-"A-21" - BLACK | 1 |
| 3 | 1572214 | RIGHT HAND TRIM-LOWER-"B"-BLACK | 1 |
| 4 | 1572258 | DECAL-DOOR TRIM-VERTICAL ASSEMBLY (NOT USED ON BLACK NESTLE STYLE) | 1 |
| 5 | 1572215 | LEFT HAND TRIM-UPPER-"C-GREY" | 1 |
| | 6312013 | LEFT HAND TRIM-UPPER-"C"-BLACK | |
| 6 | 1572216 | LEFT HAND TRIM-MIDDLE-"D"-GREY | 1 |
| | 6312014 | LEFT HAND TRIM-MIDDLE-"D"-BLACK | |
| 7 | 1572217 | LEFT HAND TRIM-BOTTOM-"E"-GREY | 1 |
| | 6312015 | LEFT HAND TRIM-BOTTOM-"E"-BLACK | |
| 8 | 1572267 | TRIM-LOWER-DOOR SIDE-GREY | 1 |
| | 1572324 | TRIM-LOWER-DOOR SIDE-BLACK | |
| - | 1582086 | DECAL - TRIM - HORIZONTAL - 32" - NOT SHOWN (BLACK) | 1 |

EuroTwin Drink Center Parts Manual

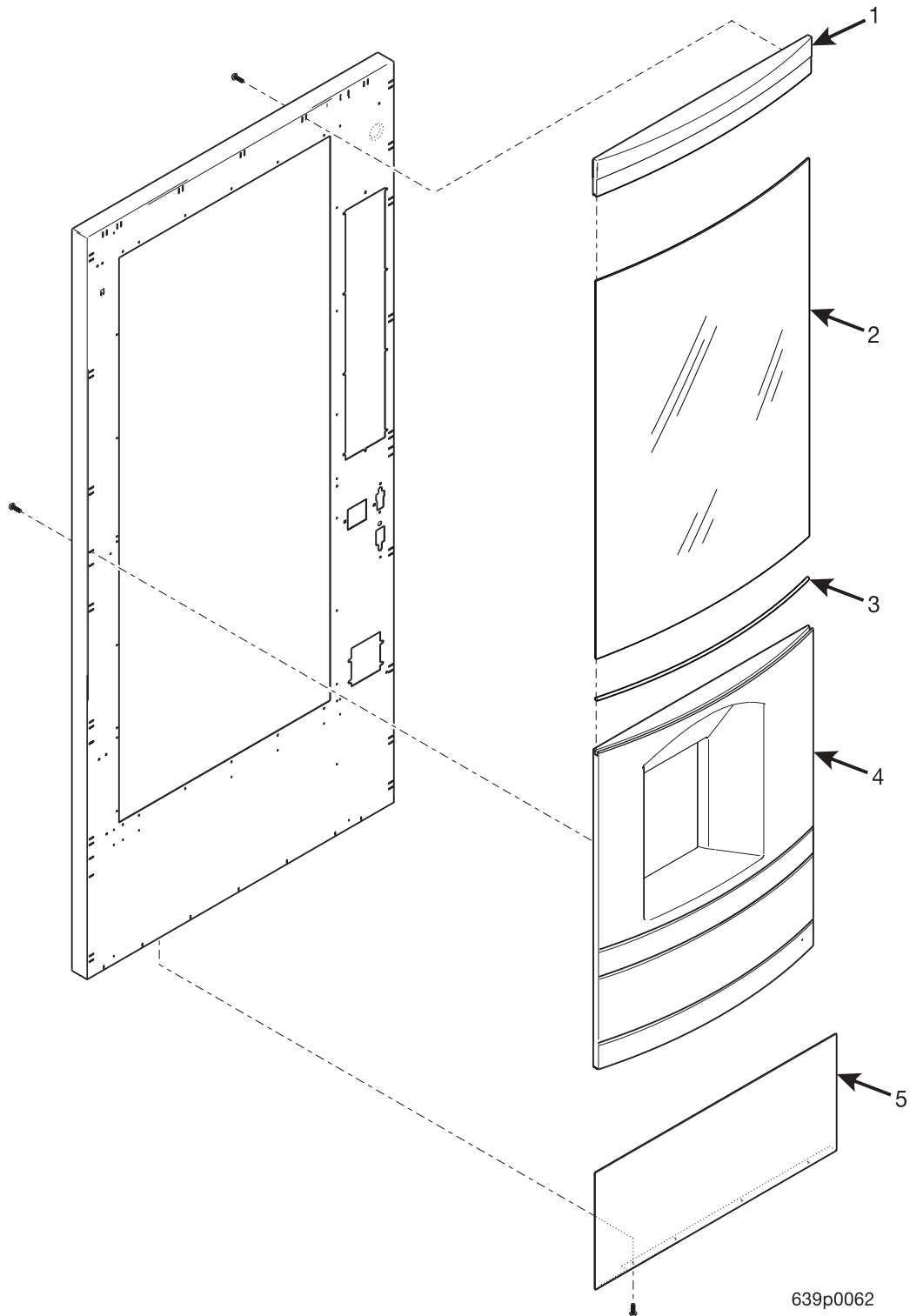


Figure 4. Millennium Trim - Part 2

EuroTwin Drink Center Parts Manual

TABLE 4. MILLENNIA TRIM - PART 2

| INDEX | PART NUMBER | DESCRIPTION | QTY |
|-------|-------------|---|-----|
| - | 1582086 | DECAL-TRIM HORIZONTAL-32" -FADED DOT (NOT USED ON BLACK NESTLE STYLE) (USED WITH INDEX 1) | 1 |
| 1 | 1582200 | HORIZ.TRIM-TOP-32"-"H"-GREY | 1 |
| | 6312016 | HORIZ.TRIM-TOP-32"-"H"-BLACK | |
| 2 | 6342050 | GLASS-CURVED FRONT-32"EURO | 1 |
| 3 | 1582093 | GASKET-GLASS | 1 |
| 4 | 6342200 | HORIZ.TRIM-32"-EURO-"R" | 1 |
| 5 | 1582115 | PANEL-BOTTOM TRIM-GRAY | 1 |
| | 1582116 | PANEL-BOTTOM TRIM-BLACK | |

EuroTwin Drink Center Parts Manual

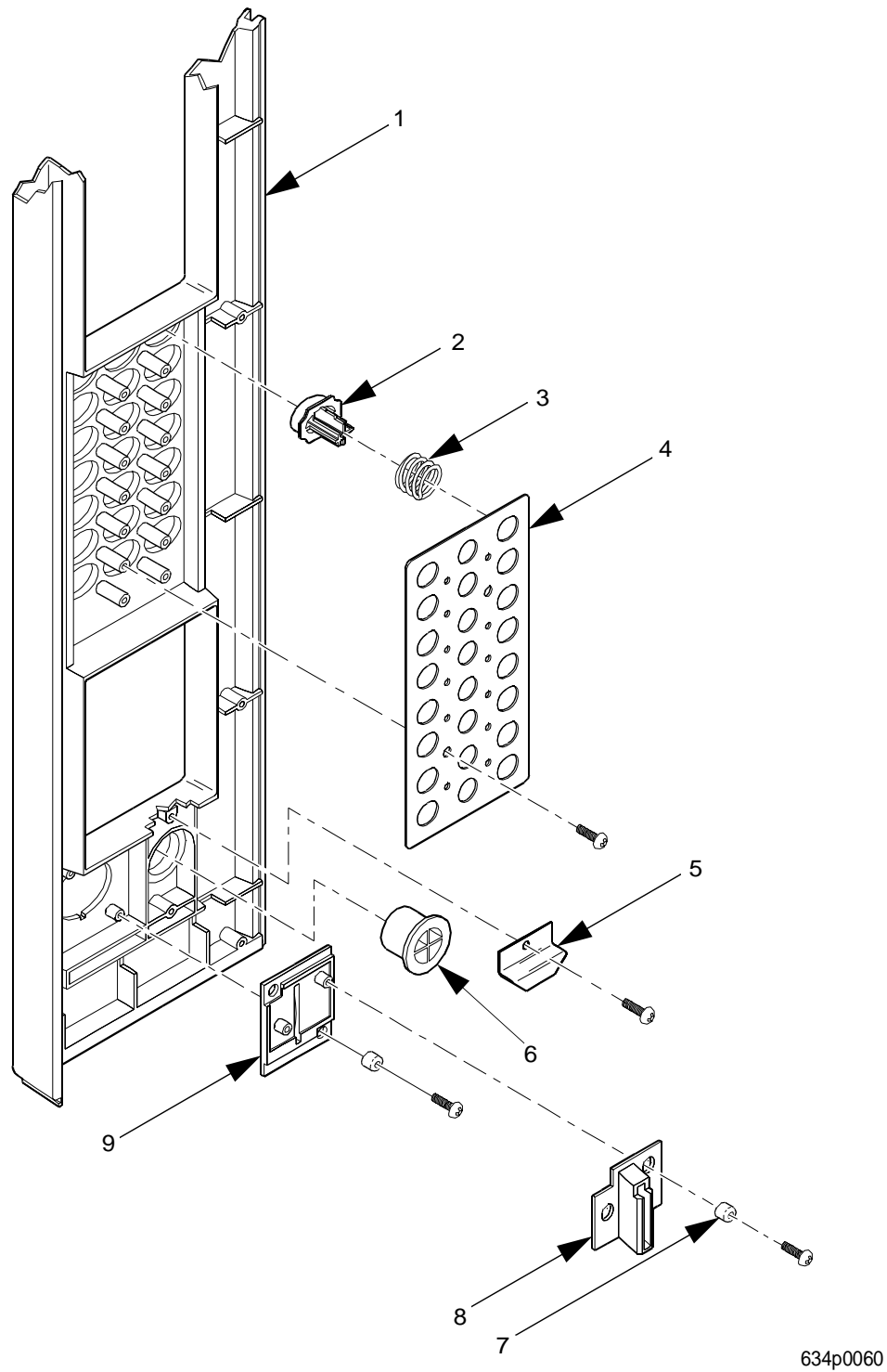


Figure 5. Millennium Trim - Part 3

EuroTwin Drink Center Parts Manual

TABLE 5. MILLENNIA TRIM - PART 3

| INDEX | PART NUMBER | DESCRIPTION | QTY |
|-------|-------------|------------------------------|-----|
| 1 | 1572213 | RIGHT HAND TRIM-UPPER-"A-21" | 1 |
| 2 | 1572212 | ARRAY-PUSH BUTTON SELECTION | 1 |
| 3 | 1572224 | SPRING-PUSH BUTTON | 21 |
| 4 | 1572223 | PLATE-STOP BUTTONS | 1 |
| 5 | 1572292 | RETAINER-RETURN BUTTON | 1 |
| 6 | 1572210 | COIN RETURN BUTTON-"A-2" | 1 |
| 7 | 2302053 | SPACER CUP | 4 |
| 8 | 1572323 | EXTENSION-COIN INSERT | 1 |
| 9 | 1572209 | COIN INSERT-"A-1" | 1 |

EuroTwin Drink Center Parts Manual

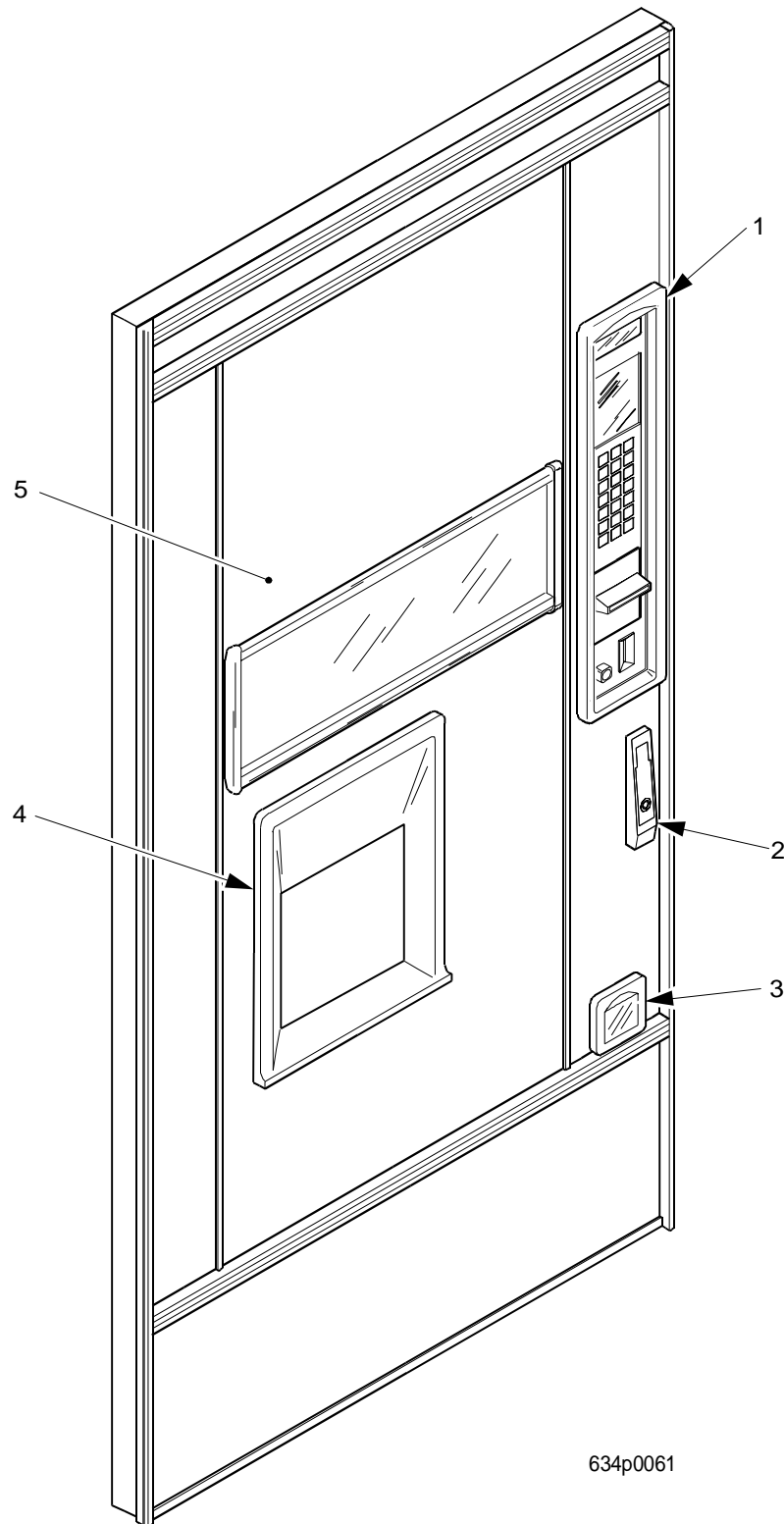


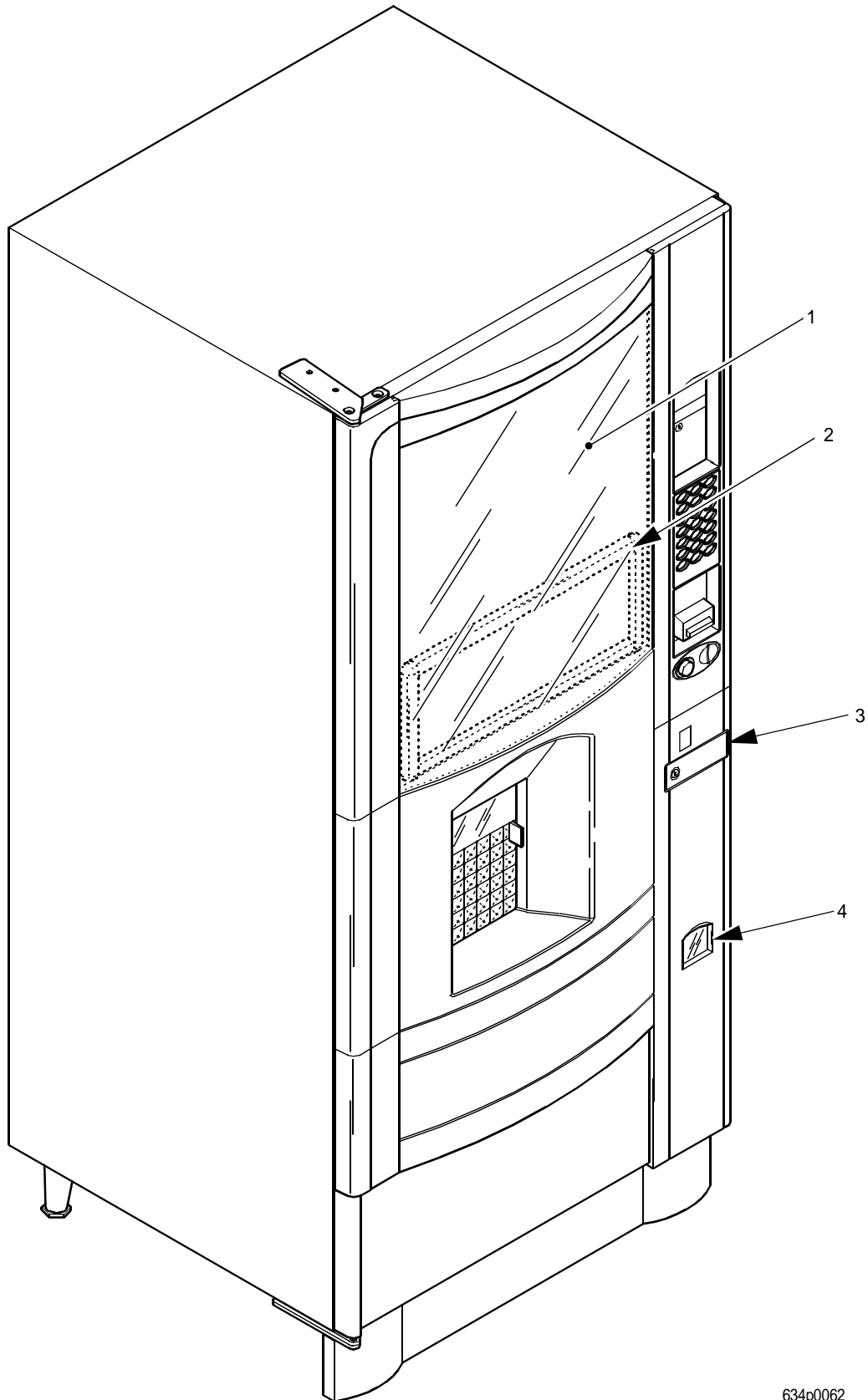
Figure 6. Door Assembly Exterior - Standard Style

EuroTwin Drink Center Parts Manual

TABLE 6. DOOR ASSEMBLY EXTERIOR - STANDARD STYLE

| INDEX | PART NUMBER | DESCRIPTION | QTY |
|--------------|--------------------|---|------------|
| 1 | 1575047 | CASTING-MONETARY FRAME-BLACK | 1 |
| 2 | - | DOOR LOCK AND HANDLE ASSEMBLY (FIGURE 14) | 1 |
| 3 | - | COIN CUP ASSEMBLY (FIGURE 12) | 1 |
| 4 | 3152045 | FRAME-CUP DELIVERY DOOR | 1 |
| 5 | 6342069 | DISPLAY PHOTO-P.O.P. (WITHOUT BACKLIT OPTION) | 1 |

EuroTwin Drink Center Parts Manual



634p0062

Figure 7. Door Assembly Exterior - Millennium Style

EuroTwin Drink Center Parts Manual

TABLE 7. DOOR ASSEMBLY EXTERIOR - MILLENNIA STYLE

| INDEX | PART NUMBER | DESCRIPTION | QTY |
|--------------|--------------------|---|------------|
| 1 | 6342069 | DISPLAY PHOTO - P.O.P. (WITHOUT BACKLIT OPTION) | 1 |
| 2 | - | DISPLAY ASSEMBLY (FIGURES 9, 10) | 1 |
| 3 | 1572395 | LOCK ASSEMBLY-MILLENNIA-NAMA STD. (FIGURE 14) | 1 |
| 4 | - | COIN RECEPTACLE ASSEMBLY (FIGURE 12) | 1 |

EuroTwin Drink Center Parts Manual

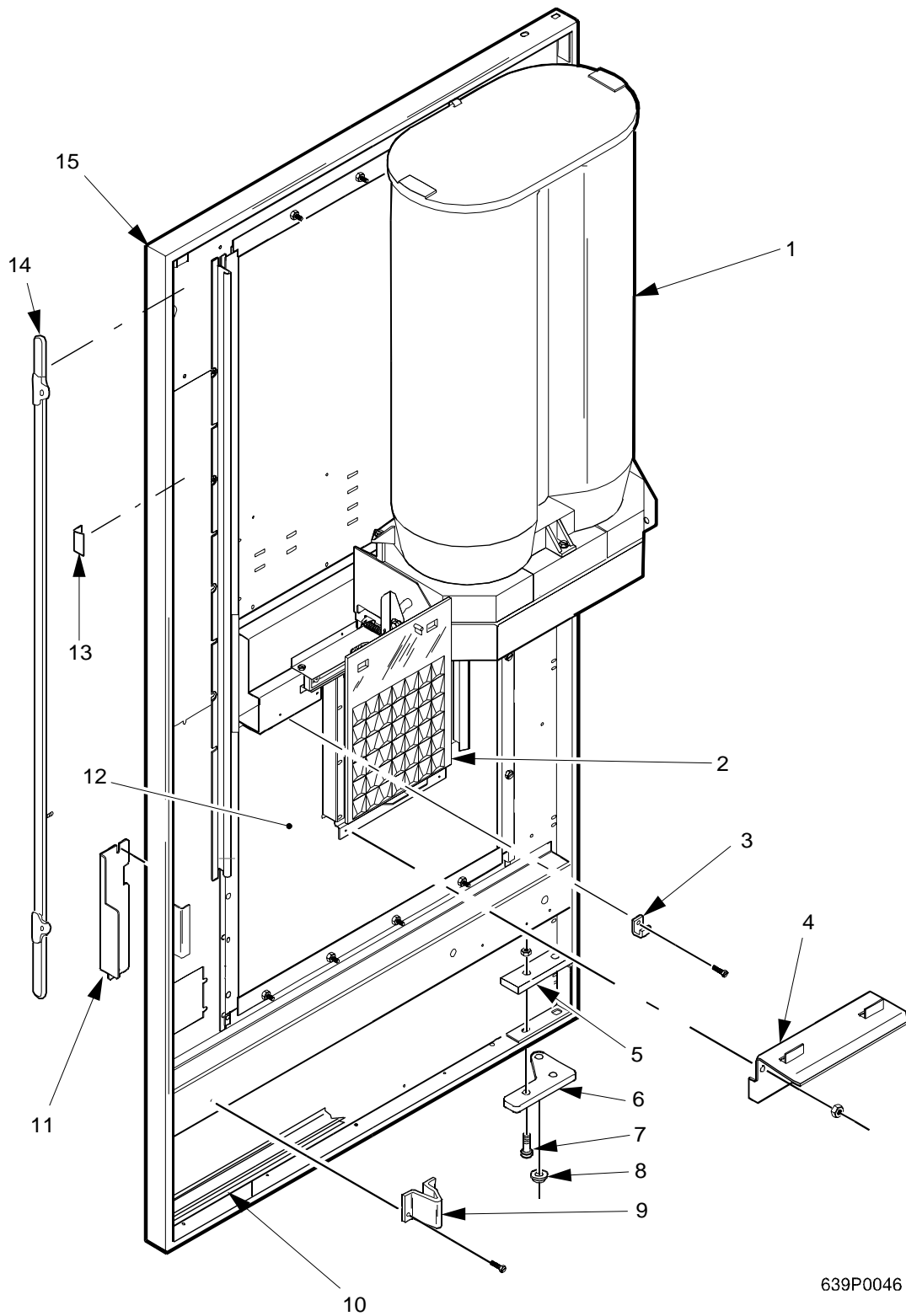


Figure 8. Door Assembly Interior - All Styles

EuroTwin Drink Center Parts Manual

TABLE 8. DOOR ASSEMBLY INTERIOR - ALL STYLES

| INDEX | PART NUMBER | DESCRIPTION | QTY |
|-------|-------------|--|-----|
| 1 | 6263000 | MECH & CANISTER ASSEMBLY S-7 (FIGURE 15) | 1 |
| 2 | - | DELIVERY DOOR (FIGURE 20) | 1 |
| 3 | 3142138 | HANGER CUP STATION | 1 |
| 4 | 6342040 | LIFT BRACKET-CUP STATION | 1 |
| 5 | 6232028 | PLATE ASSEMBLY-HINGE MOUNTING | 1 |
| 6 | 6232031 | HINGE ASSEMBLY-DOOR-LOWER | 1 |
| 7 | 6232208 | WELD SCREW-#1/4-20 X 1"LG | 2 |
| 8 | 4242145 | BEARING-THRUST-LOWER HINGE | 1 |
| 9 | 6231164 | BRACKET-DOOR SUPPORT | 1 |
| 10 | 6262046 | SANITATION FILLER STRIP | 1 |
| 11 | 1572196 | CHANNEL-FILLER-LOCK (MILLENNIA STYLE) | 1 |
| 12 | - | CENTER PANEL ASSEMBLY-WITHOUT BACKLIT OPTION (FIGURE 9) | REF |
| | - | CENTER PANEL ASSEMBLY-WITH BACKLIT OPTION (FIGURE 10) | |
| | - | HOUSING AND ELECTRICAL COMPONENT ASSEMBLY - 230V - WITH BACKLIT OPTION (FIGURE 11) | |
| 13 | 1472250 | GUIDE-LOCK BAR | 1 |
| 14 | 1472178 | LOCK BAR ASSEMBLY | 1 |
| 15 | 1582069 | WELD ASSEMBLY-DOOR-NV BLACK | 1 |

EuroTwin Drink Center Parts Manual

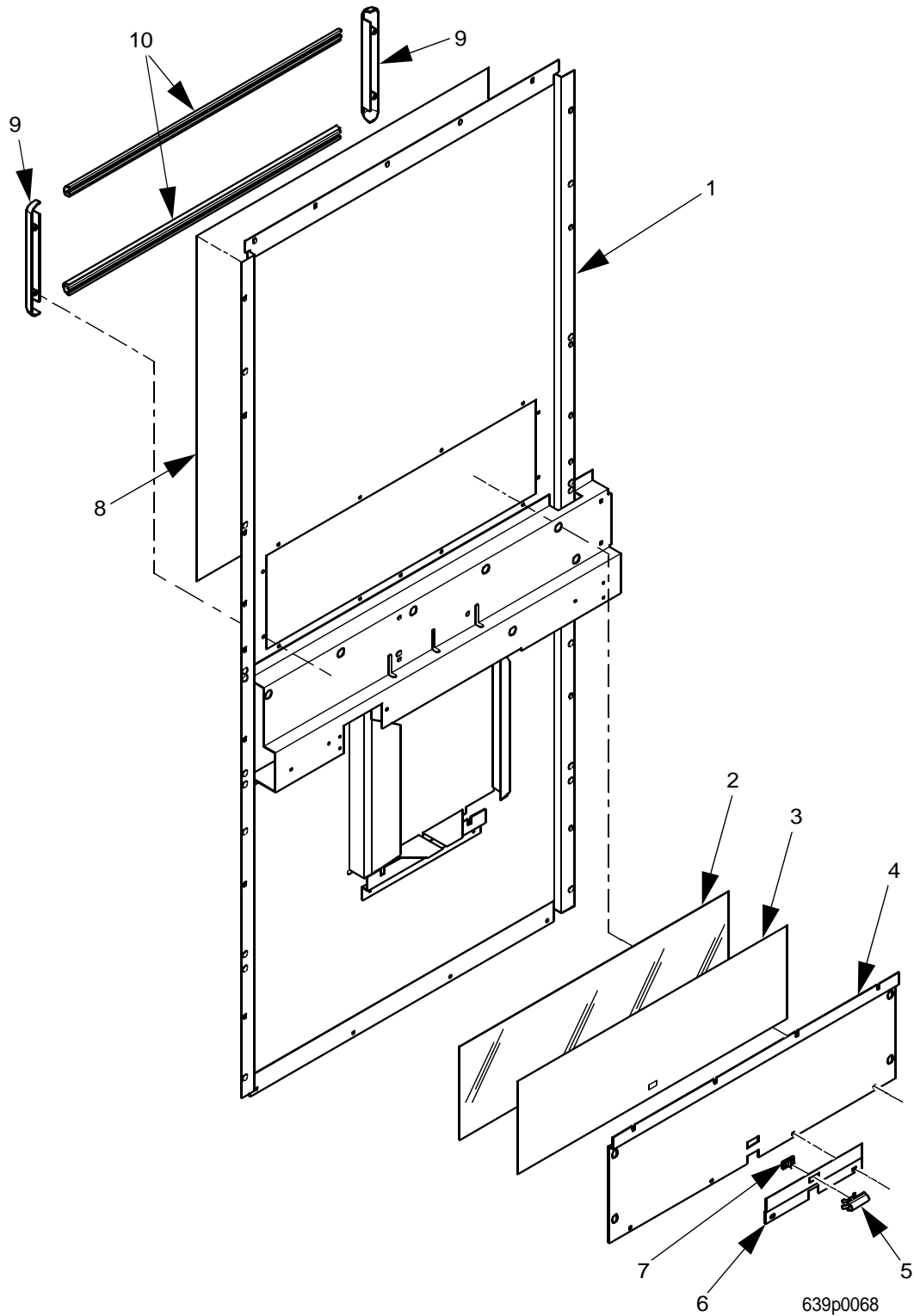


Figure 9. Center Panel Assembly - Not Backlit

EuroTwin Drink Center Parts Manual

TABLE 9. CENTER PANEL ASSEMBLY - NOT BACKLIT

| INDEX | PART NUMBER | DESCRIPTION | QTY |
|-------|-------------|--|-----|
| 1 | 6342068 | CENTER TRIM PANEL ASSEMBLY-T GREY | 1 |
| | 6342067 | CENTER TRIM PANEL ASSEMBLY-T WHITE | |
| | 6342070 | CENTER TRIM PANEL ASSY-NU WHITE | |
| | 6392020 | PANEL ASSEMBLY-CENTER TRIM (MILLENNIA STYLE) | |
| 2 | 6342082 | COVER-MENU INSERT-THICK | 1 |
| 3 | 6392015 | INSERT - MENU SELECTION - EUROTWIN - ENGLISH | 1 |
| | 6392033 | INSERT - SELECTION - FD/FB - EUROTWIN - GERMAN | |
| | 6312009 | INSERT - SELECTION - FD TWIN - FRENCH | |
| | 6312020 | INSERT - MENU SELECTION - EUROTWIN - SPANISH | |
| 4 | 6342079 | PLATE-BACKING MENU | 1 |
| 5 | 6739013 | INDICATOR LAMP-28V | 1 |
| 6 | 6342080 | PLATE-SERVE LIGHT | 1 |
| 7 | 6362021 | LENS-RECTANGULAR-RED | 1 |
| 8 | 6392018 | DISPLAY PHOTO - P.O.P. | 1 |
| 9 | G6262033 | END CAP-MENU BOARD | 2 |
| 10 | 6342081 | TRIM-SELECT INSERT | 2 |

EuroTwin Drink Center Parts Manual

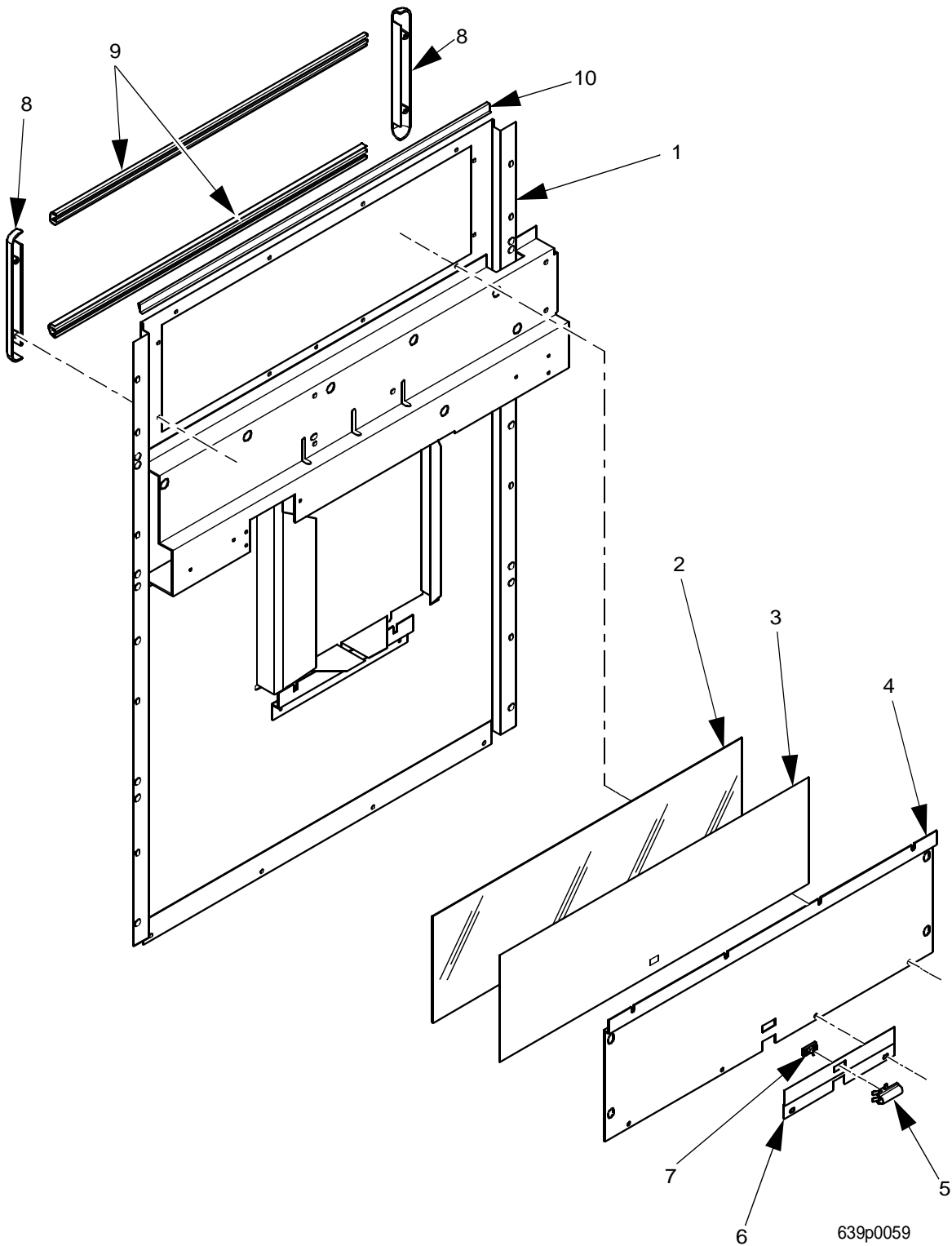


Figure 10. Center Panel Assembly - Backlit

EuroTwin Drink Center Parts Manual

TABLE 10. CENTER PANEL ASSEMBLY - BACKLIT

| INDEX | PART NUMBER | DESCRIPTION | QTY |
|-------|-------------|--|-----|
| 1 | 6342073 | CENTER PLATE ASSEMBLY-"T"-GREY | 1 |
| | 6342074 | CENTER PLATE ASSEMBLY-NU WHITE | |
| | 6342098 | CENTER PLATE ASSEMBLY-"T"-WHITE | |
| | 6342075 | PANEL ASSEMBLY-CENTER TRIM (MILLENNIA STYLE) | |
| | 6342072 | CENTER PLATE ASSEMBLY - N.V. BLACK | |
| 2 | 6342082 | COVER-MENU INSERT-THICK | 1 |
| 3 | 6392015 | INSERT-MENU SELECTION-EUROTWIN | 1 |
| | 6392033 | INSERT-SEL.-FD/FB-EURO TWN-GER | |
| | 6312009 | INSERT-SELECTION-FD TWIN-FR. | |
| | 6312020 | INSERT-MENU SEL.-EUROTWIN-SP. | |
| 4 | 6342079 | PLATE-BACKING MENU | 1 |
| 5 | 6739013 | INDICATOR LAMP-28V | 1 |
| 6 | 6342080 | PLATE-SERVE LIGHT | 1 |
| 7 | 6362021 | LENS-RECTANGULAR-RED | 1 |
| 8 | G6262033 | END CAP-MENU BOARD | 2 |
| 9 | 6342081 | TRIM-SELECT INSERT | 2 |
| 10 | 6342083 | TRIM-HORIZONTAL BACKLIT P.O.P. | 1 |

EuroTwin Drink Center Parts Manual

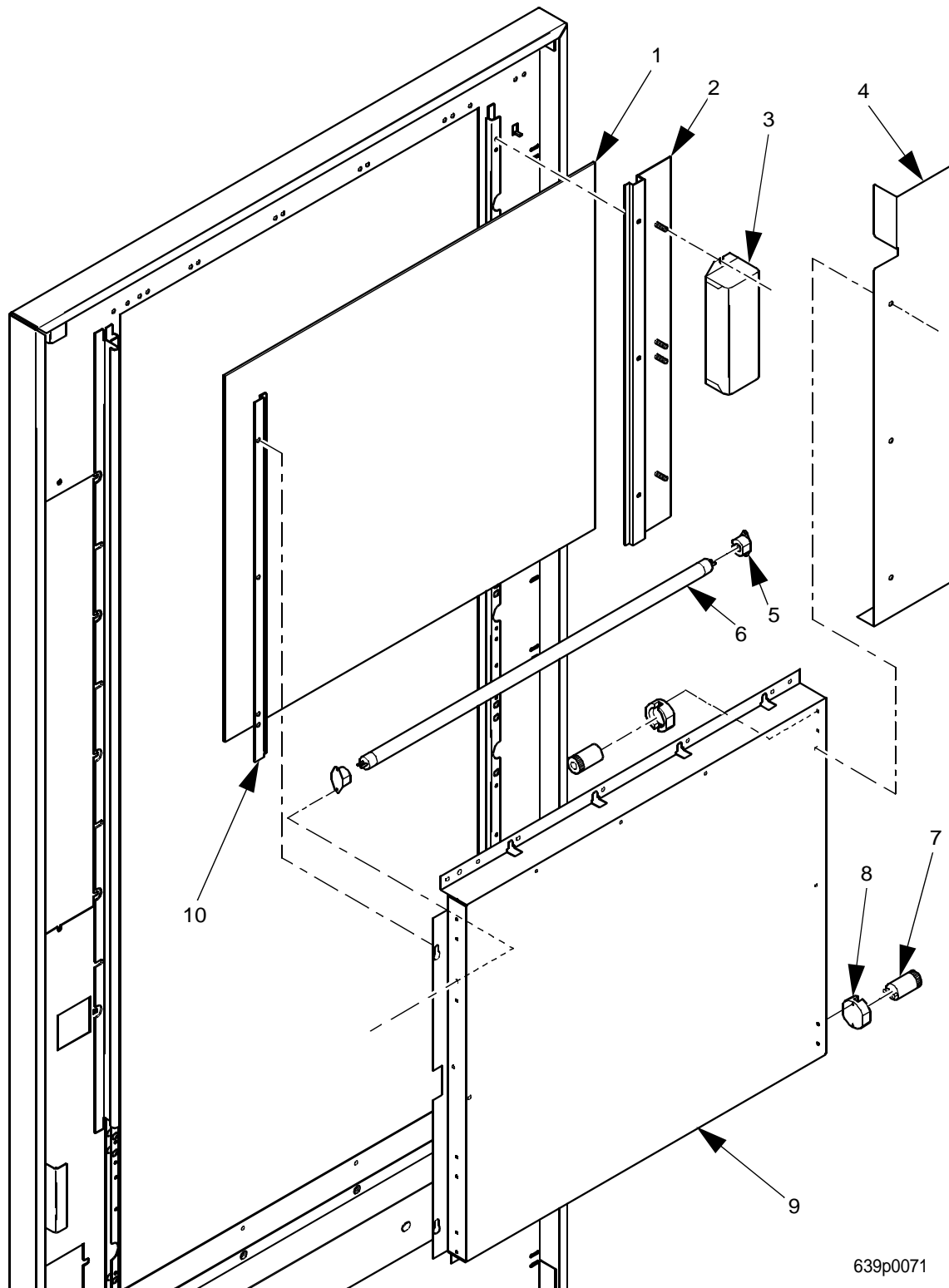


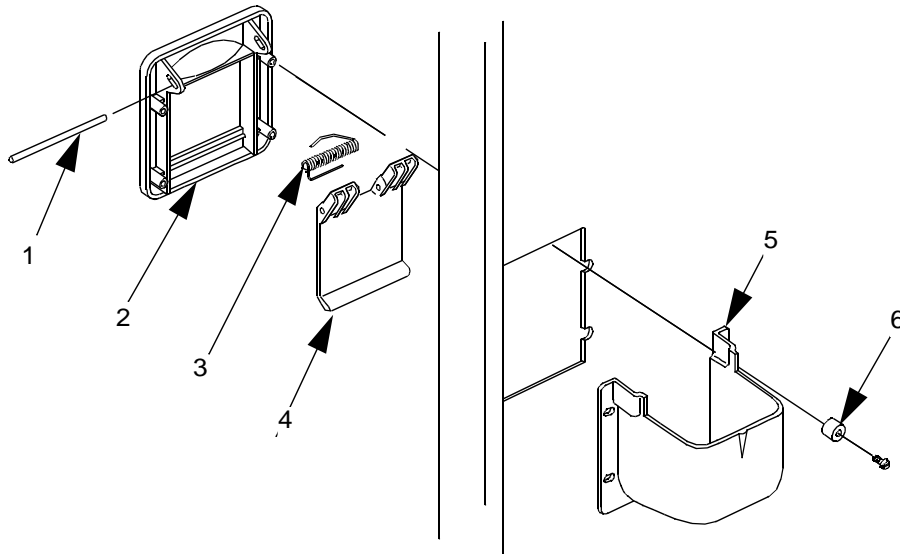
Figure 11. Lighting Assembly - Backlit POP

EuroTwin Drink Center Parts Manual

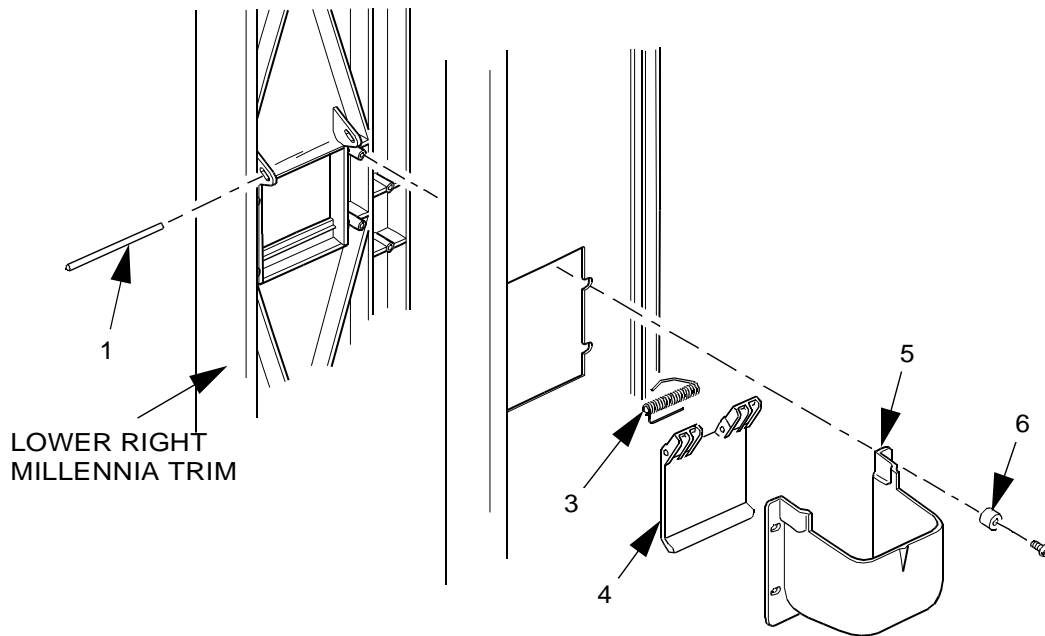
TABLE 11. LIGHTING ASSEMBLY - BACKLIT POP

| INDEX | PART NUMBER | DESCRIPTION | QTY |
|-------|-------------|---|-----|
| - | 6342084 | HOUSING AND ELECTRICAL COMPONENT ASSEMBLY - 230 V - WITH BACKLIT OPTION | 1 |
| 1 | 6392027 | P.O.P.-BACKLIT-EURO TWIN | 1 |
| 2 | 6342077 | RETAINER ASSEMBLY-POP-LEFT-MILL. | 1 |
| 3 | 6396028 | BALLAST ASSEMBLY - 13 WATT - 230 VOLT | 1 |
| 4 | 6342058 | COVER-ELEC.-BACKLIT | 1 |
| 5 | 6396026 | LAMP SOCKET ASSEMBLY | 2 |
| 6 | 4031148 | LAMP FLUORESCENT 13W | 1 |
| 7 | 4031150 | FLUORESCENT LAMP STARTER FS-4 | 1 |
| 8 | 4319008 | STARTER SOCKET ASSEMBLY | 1 |
| 9 | 6342093 | HOUSING-LAMP-BACKLITE | 1 |
| 10 | 6342056 | FLANGE-P.O.P.-BACKLITE | 1 |
| - | 1679005 | FLUORESCENT LIGHT FILTER - 120/230 V (NOT SHOWN) | 1 |

EuroTwin Drink Center Parts Manual



COIN RECEPTACLE ASSEMBLY - STANDARD



COIN RECEPTACLE ASSEMBLY - MILLENNIA

497p0090

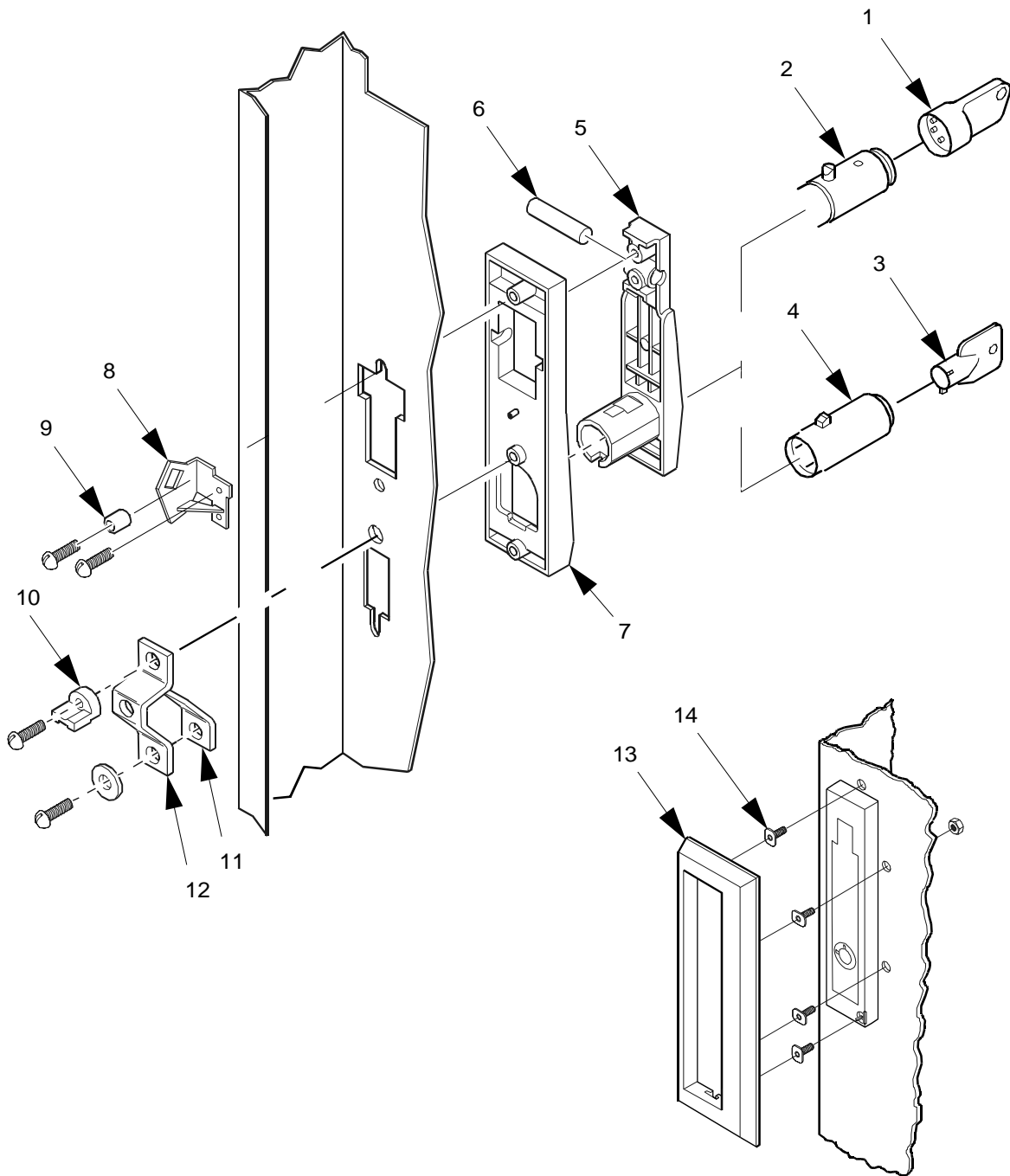
Figure 12. Coin Receptacle Assemblies

EuroTwin Drink Center Parts Manual

TABLE 12. COIN RECEPTACLE ASSEMBLIES

| INDEX | PART NUMBER | DESCRIPTION | QTY |
|--------------|--------------------|-------------------------|------------|
| 1 | 4245084 | SHAFT-DOOR-COIN RETURN | 1 |
| 2 | 1572011 | TRIM - COIN RECEPTACLE | 1 |
| 3 | 4245083 | SPRING COIN RETURN DOOR | 1 |
| 4 | 4245082 | GATE COIN RETURN | 1 |
| 5 | 1572010 | CUP-COIN RETURN | 1 |
| 6 | 2302053 | SPACER CUP | 4 |

EuroTwin Drink Center Parts Manual



428p0044

Figure 13. Door Lock Guard Accessory and Lock Assembly - Standard

EuroTwin Drink Center Parts Manual

TABLE 13. DOOR LOCK GUARD ACCESSORY AND LOCK ASSEMBLY - STANDARD

| INDEX | PART NUMBER | DESCRIPTION | QTY |
|--------------|--------------------|------------------------------------|------------|
| 1 | 3112164 | KEY - VAN LOCK #K5 - STD.COMBINATN | 1 |
| 2 | 3112163 | CYLINDER - VAN LOCK #4275 | 1 |
| 3 | N/A | KEY | 1 |
| 4 | 9992400 | LOCK CYLINDER #4355 - 19 - A | 1 |
| 5 | 1172190 | LEVER - LOCK | 1 |
| 6 | 1302291 | PIVOT - LEVER LOCK | 1 |
| 7 | 1172191 | BASE - LEVER LOCK | 1 |
| 8 | 2272052 | ACTUATOR ASSEMBLY - LOCK BAR | 1 |
| 9 | 1302289 | CUP SPACER | 1 |
| 10 | 1302326 | SHIELD - LATCH | 1 |
| 11 | 1302290 | LATCH - LOCK LOWER | 1 |
| 12 | 1302324 | CATCH - DOOR LATCH | 1 |
| 13 | 1572186 | DOOR LOCK GUARD - OPTION | 1 |
| 14 | 2222031 | TEE BOLT TRIM | 4 |

EuroTwin Drink Center Parts Manual

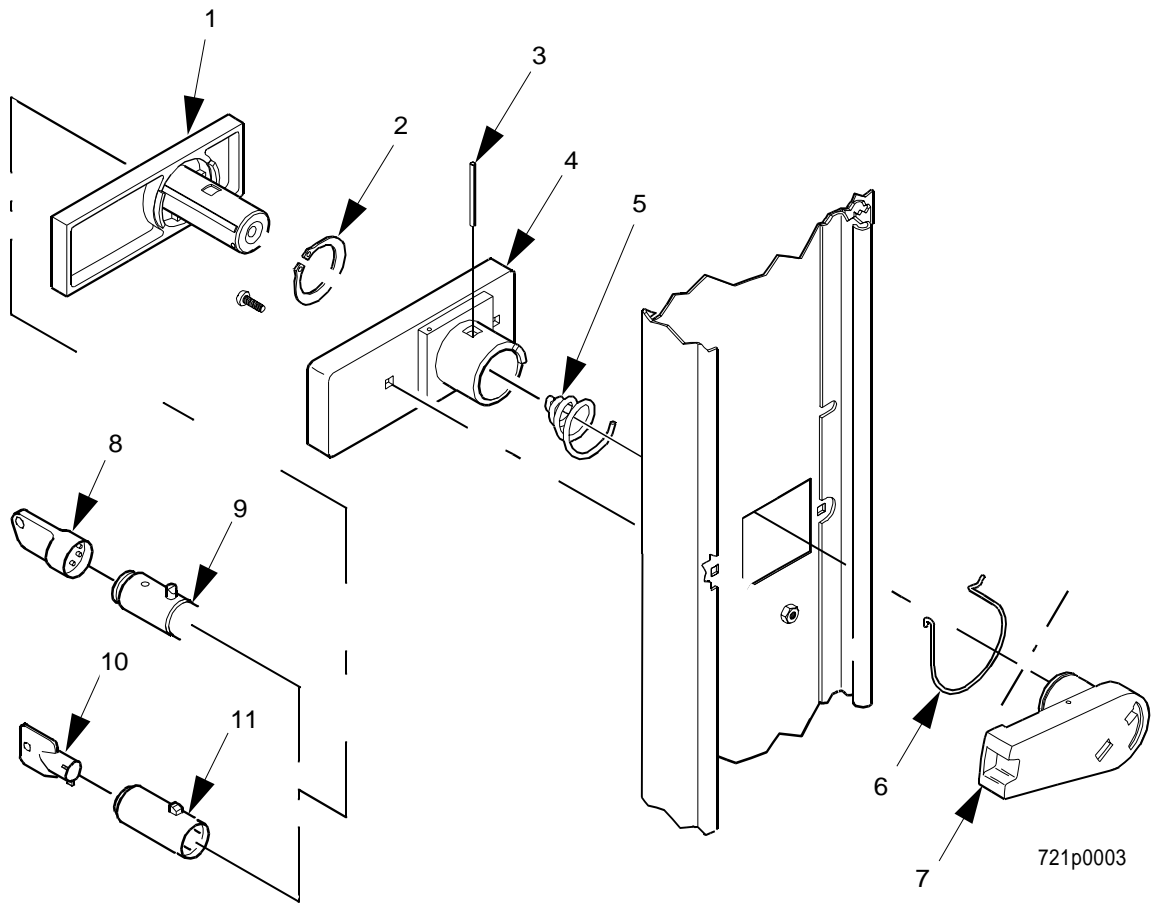


Figure 14. Door Lock Handle Assembly - Millennium Style

EuroTwin Drink Center Parts Manual

TABLE 14. DOOR LOCK HANDLE ASSEMBLY - MILLENNIA STYLE

| INDEX | PART NUMBER | DESCRIPTION | QTY |
|--------------|--------------------|------------------------------------|------------|
| 1 | 1572397 | LEVER - HANDLE | 1 |
| 2 | 1572199 | RETAINING RING - LOCK ACTUATOR | 1 |
| 3 | 6104218 | ROLL PIN 1/8 X 1 IN | 1 |
| 4 | 1572396 | BASE - LOCK HANDLE | 1 |
| 5 | 1572203 | SPRING - LOCK | 1 |
| 6 | 1572204 | SPRING - LIFT - ACTUATOR | 1 |
| 7 | 1572398 | ACTUATOR - LOCK BAR | 1 |
| 8 | 3112164 | KEY - VAN LOCK #K5 - STD.COMBINATN | 1 |
| 9 | 3112163 | CYLINDER - VAN LOCK #4275 | 1 |
| 10 | N/A | KEY | 1 |
| 11 | 9992400 | LOCK CYLINDER #4355 - 19 - A | 1 |

EuroTwin Drink Center Parts Manual

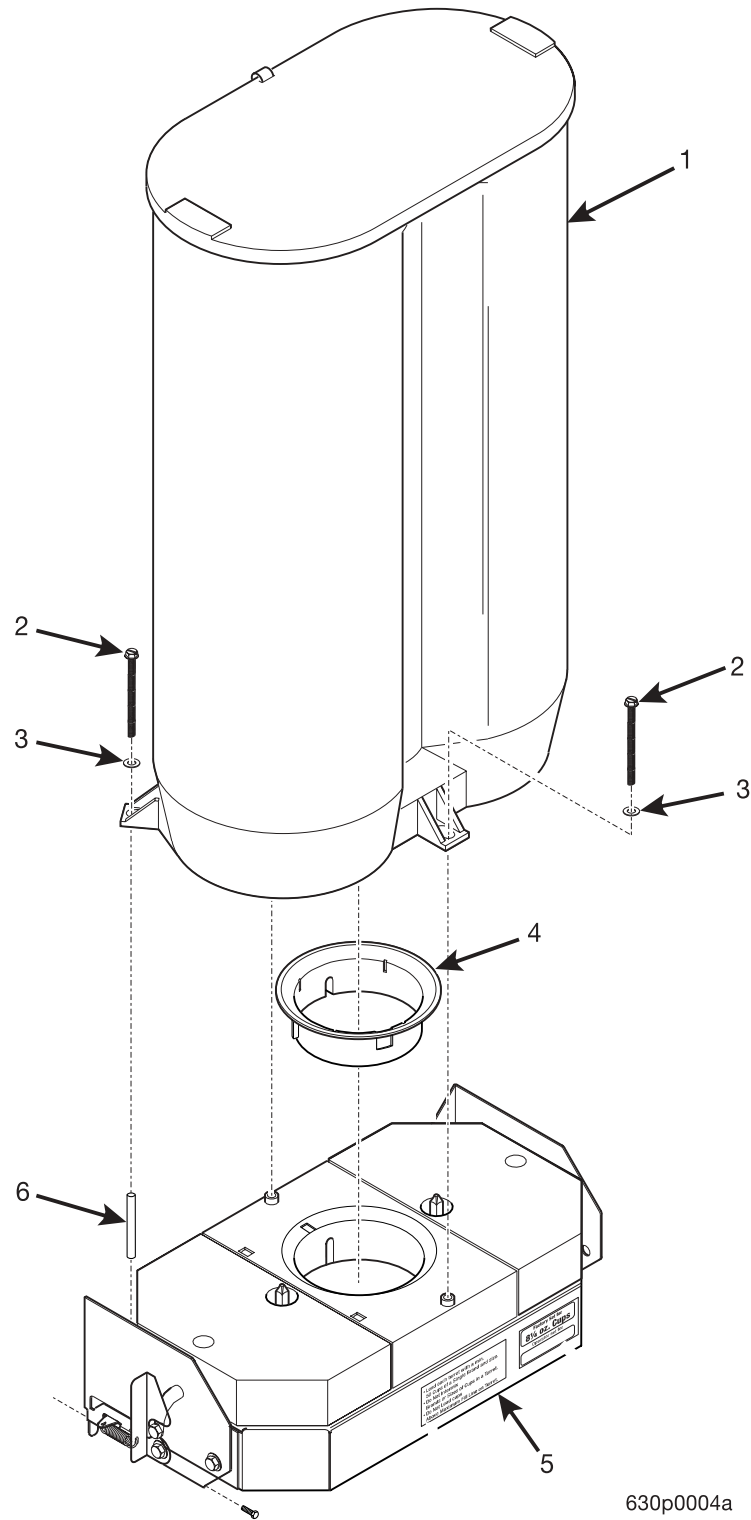


Figure 15. Cup Mechanism and Canister Assembly

EuroTwin Drink Center Parts Manual

TABLE 15. CUP MECHANISM AND CANISTER ASSEMBLY

| INDEX | PART NUMBER | DESCRIPTION | QTY |
|--------------|--------------------|---|------------|
| - | 6263000 | MECHANISM & CANISTER ASSEMBLY S-7 | REF |
| 1 | 6233102 | TURRET & CANISTER ASSEMBLY-7 COLUMN (FIGURE 16) | 1 |
| 2 | 6233077 | BOLT-#1/4X20X2.38 HHS | 4 |
| 3 | 6131066 | WASHER 5/8X.265X.048 ZINC/YELLOW IRIDITE | 4 |
| 4 | 6233007 | FUNNEL-3.25 CUP DIAMETER | 1 |
| 5 | 6263001 | MECHANISM ASSEMBLY-7 COLUMN (FIGURE 17) | 1 |
| 6 | 6263002 | SPACER-.277ID X .375OD X 1.9 LONG | 2 |

EuroTwin Drink Center Parts Manual

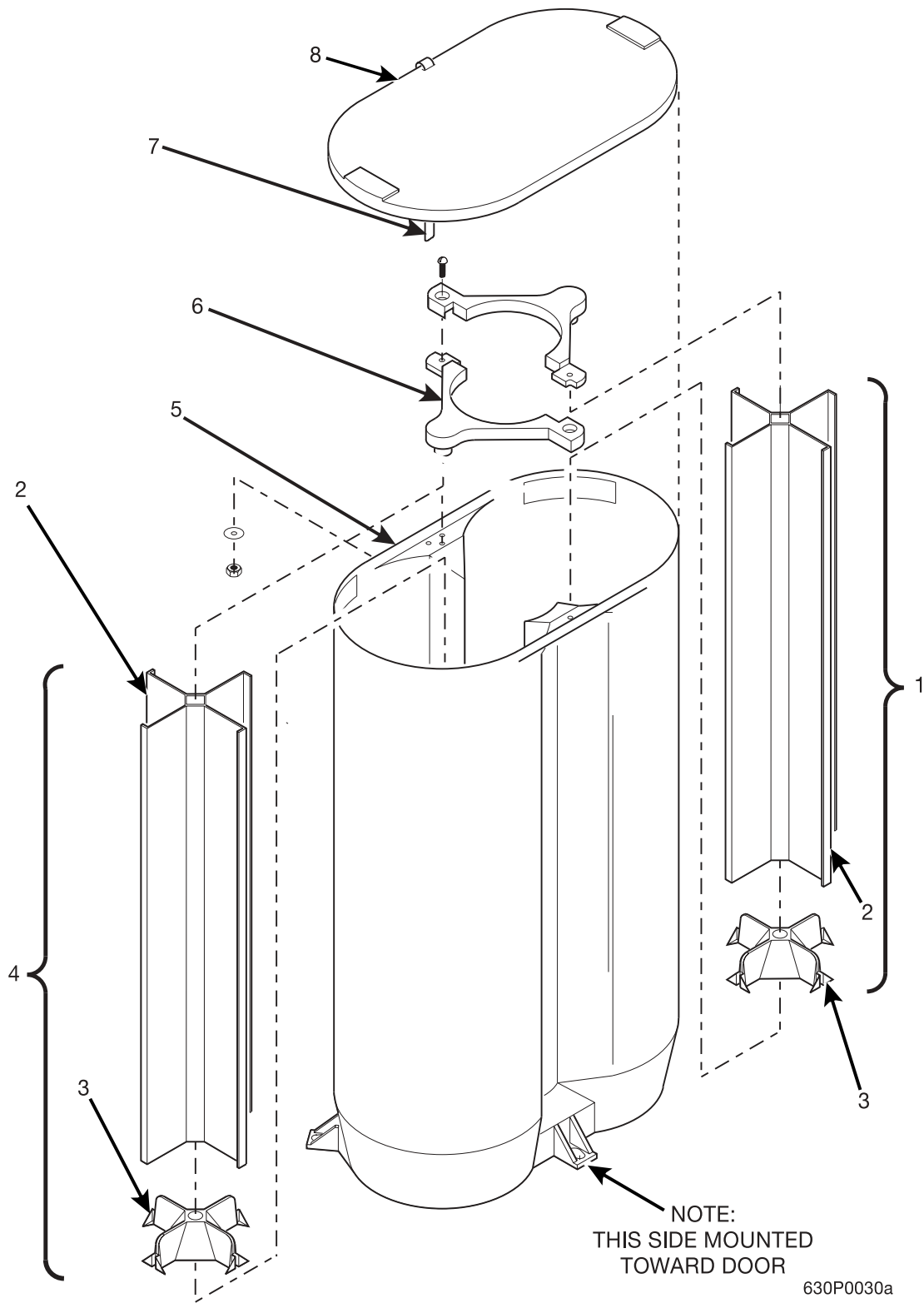


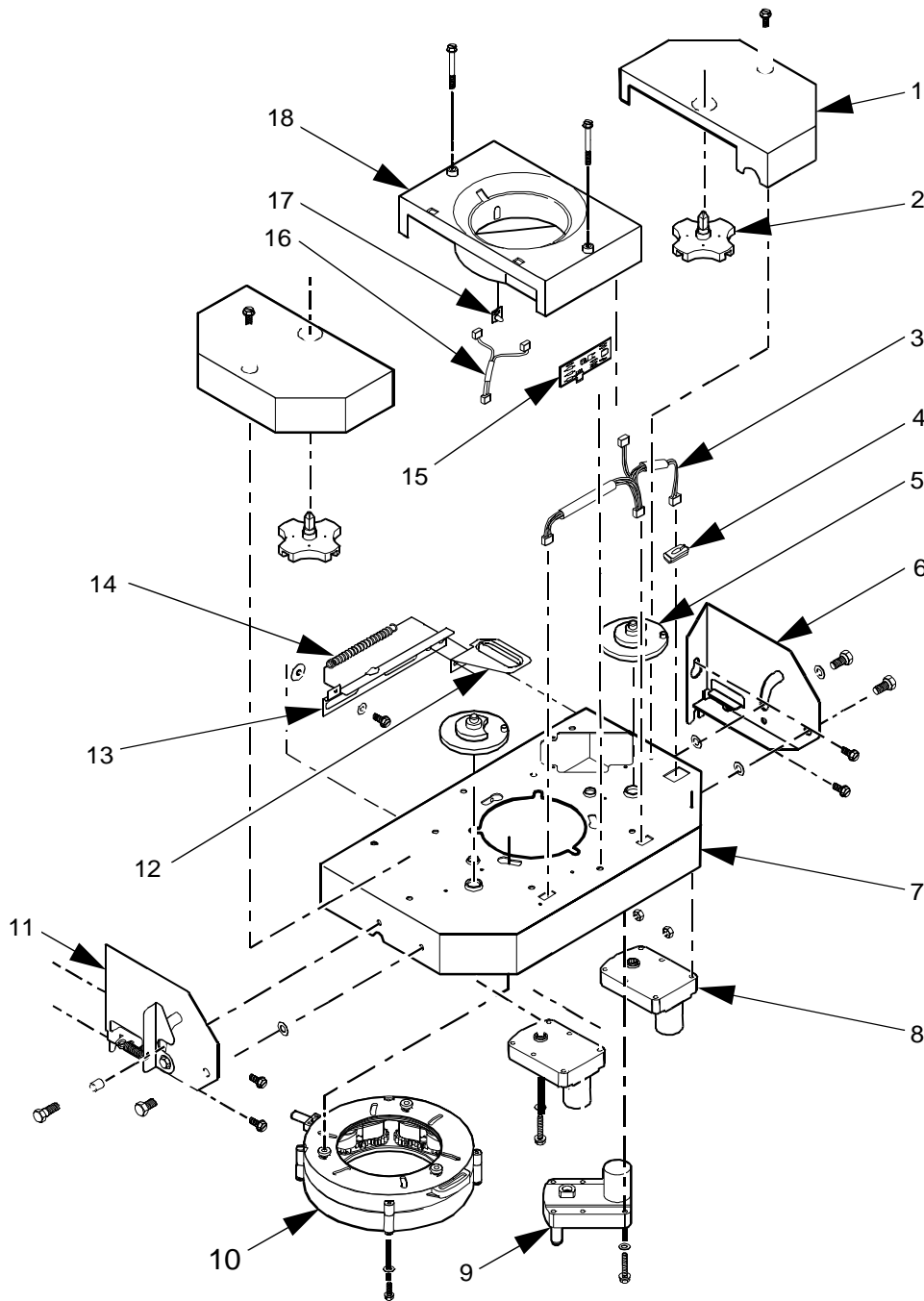
Figure 16. Turret and Canister Assembly

EuroTwin Drink Center Parts Manual

TABLE 16. TURRET AND CANISTER ASSEMBLY

| INDEX | PART NUMBER | DESCRIPTION | QTY |
|--------------|--------------------|---|------------|
| - | 6233102 | TURRET AND CANISTER ASSEMBLY - 7 COLUMN | REF |
| 1 | 6233109 | TURRET ASSY 1B (INCLUDES INDEX NUMBERS 2 AND 3) | 1 |
| 2 | 6233061 | TURRET-CENTER | 1 |
| 3 | 6233048 | BASE-TURRET | 1 |
| 4 | 6233108 | TURRET ASSY 1A (INCLUDES INDEX NUMBERS 2 AND 3) | 1 |
| 5 | 6233092 | CANISTER-CUP-7 COLUMN | 1 |
| 6 | 6233030 | BEARING-TURRET TOP | 2 |
| 7 | 6333003 | STRAP-CANISTER | 1 |
| 8 | 6233093 | LID-CANISTER-7 COLUMN | 1 |

EuroTwin Drink Center Parts Manual



639p0012

Figure 17. Mechanism Assembly

EuroTwin Drink Center Parts Manual

TABLE 17. MECHANISM ASSEMBLY

| INDEX | PART NUMBER | DESCRIPTION | QTY. |
|--------------|--------------------|--------------------------------------|-------------|
| - | 6263001 | MECHANISM ASSY - 7 COLUMN | 1 |
| | 3283018 | MECHANISM ASSY - 18 OZ - 7 COLUMN | |
| 1 | 6233010 | COVER - END | 2 |
| 2 | 6233013 | DRIVER - GENEVA | 2 |
| 3 | 6269013 | HARNESS - CUP MECHANISM | 1 |
| 4 | 6233014 | INDEX PLATE - GENEVA | 2 |
| 5 | 6233019 | BRACKET - MECH.MOUNTING - LEFT | 1 |
| 6 | 6263003 | PLATE - BASE - 7 COLUMN | 1 |
| 7 | 1577038 | MOTOR & PC BOARD ASSEMBLY | 2 |
| 8 | 6233056 | MOTOR & CRANK ARM ASSY | 1 |
| 9 | 6333008 | CUP RING ASSY - UNIVERSAL | 1 |
| 10 | 6233057 | MTG BRACKET ASSY - RIGHT (FIGURE 19) | 1 |
| 11 | 3283058 | CAM | 1 |
| 12 | 6233032 | ACTUATOR - CUP RING | 1 |
| 13 | 4733035 | SPRING - CUP RELEASE ARM | 1 |
| 14 | 6233105 | PCB ASSY - DETECTOR CUP SENSOR | 1 |
| 15 | 6233106 | NARNESS - CUP DETECTOR/LED JUMPER | 1 |
| 16 | 6233107 | PCB ASSY - DETECTOR CUP SENSOR | 1 |
| 17 | 6233012 | COVER - CENTER | 1 |

EuroTwin Drink Center Parts Manual

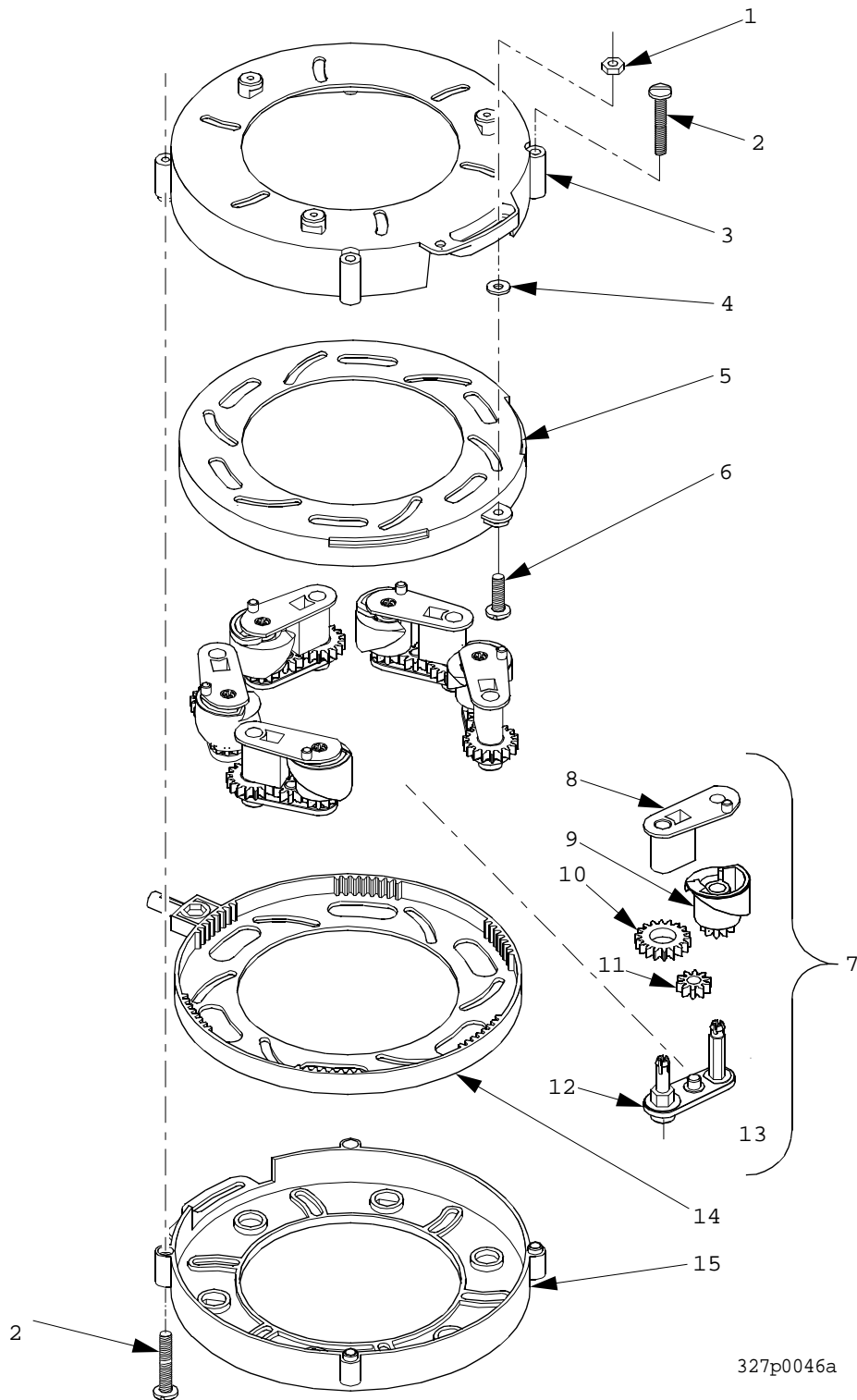


Figure 18. Cup Ring Assembly

EuroTwin Drink Center Parts Manual

TABLE 18. CUP RING ASSEMBLY

| INDEX | PART NUMBER | DESCRIPTION | QTY. |
|--------------|--------------------|-------------------------------------|-------------|
| - | 6333008 | CUP RING ASSEMBLY - UNIVERSAL | REF |
| 1 | 3143011 | NUT #8-32 SELF LOCKING | 1 |
| 2 | 6332052 | SCREW - #8-16 X 1.25 PHS - PLASTITE | 4 |
| 3 | 6333004 | HOUSING - CUP RING | 1 |
| 4 | 6114121 | WASHER ROLLER | 1 |
| 5 | 6333011 | ADJUSTER RING - INTERNAL | 1 |
| 6 | 3143009 | SCREW #8-32 X .50 PHS W/LW | 1 |
| 7 | 6333007 | CAM & GEAR ASSEMBLY | 6 |
| 8 | 6333006 | RETAINER - CAM | 6 |
| 9 | 6333012 | CAM - CUP - UNIVERSAL | 6 |
| 10 | 6233126 | GEAR - 18 TOOTH | 6 |
| 11 | 6233127 | GEAR - 10 TOOTH | 6 |
| 12 | 6333005 | ARM - CAM | 6 |
| 13 | 6234628 | WASHER - PAPER MECH. | 6 |
| 14 | 6333010 | GEAR RING - INTERNAL | 1 |
| 15 | 6333009 | HOUSING - CUP RING | 1 |

EuroTwin Drink Center Parts Manual

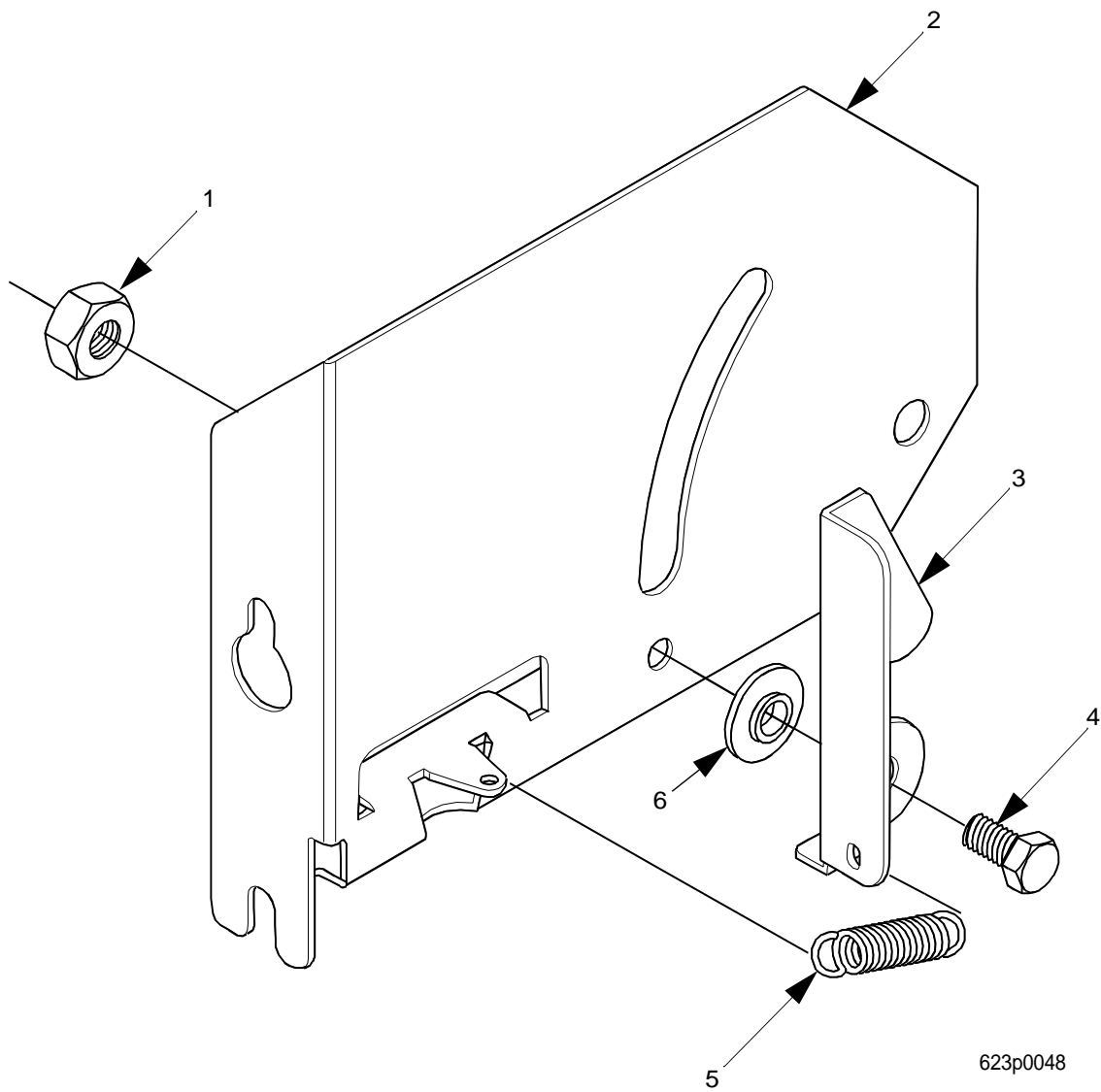


Figure 19. Cup Mechanism Mounting Bracket Assembly

EuroTwin Drink Center Parts Manual

TABLE 19. CUP MECHANISM MOUNTING BRACKET ASSEMBLY

| INDEX | PART NUMBER | DESCRIPTION | QTY. |
|--------------|--------------------|--|-------------|
| - | 6233057 | MOUNTING BRACKET ASSEMBLY - RIGHT (SHOWN) | REF |
| 1 | 4041241 | NUT - 1/4 20 SELF LOCKING | 1 |
| 2 | 6233018 | BRACKET - MECH MOUNTING - RIGHT | 1 |
| - | 6233019 | BRACKET - MECH MOUNTING - LEFT (NOT SHOWN) | 1 |
| 3 | 6233037 | LATCH | 1 |
| 4 | 6233021 | SCREW-1/4 X 20 X .5 HEX HD | 1 |
| 5 | 2301057 | SPRING ELEVATOR STOP | 1 |
| 6 | 6233028 | BUSHING | 1 |

EuroTwin Drink Center Parts Manual

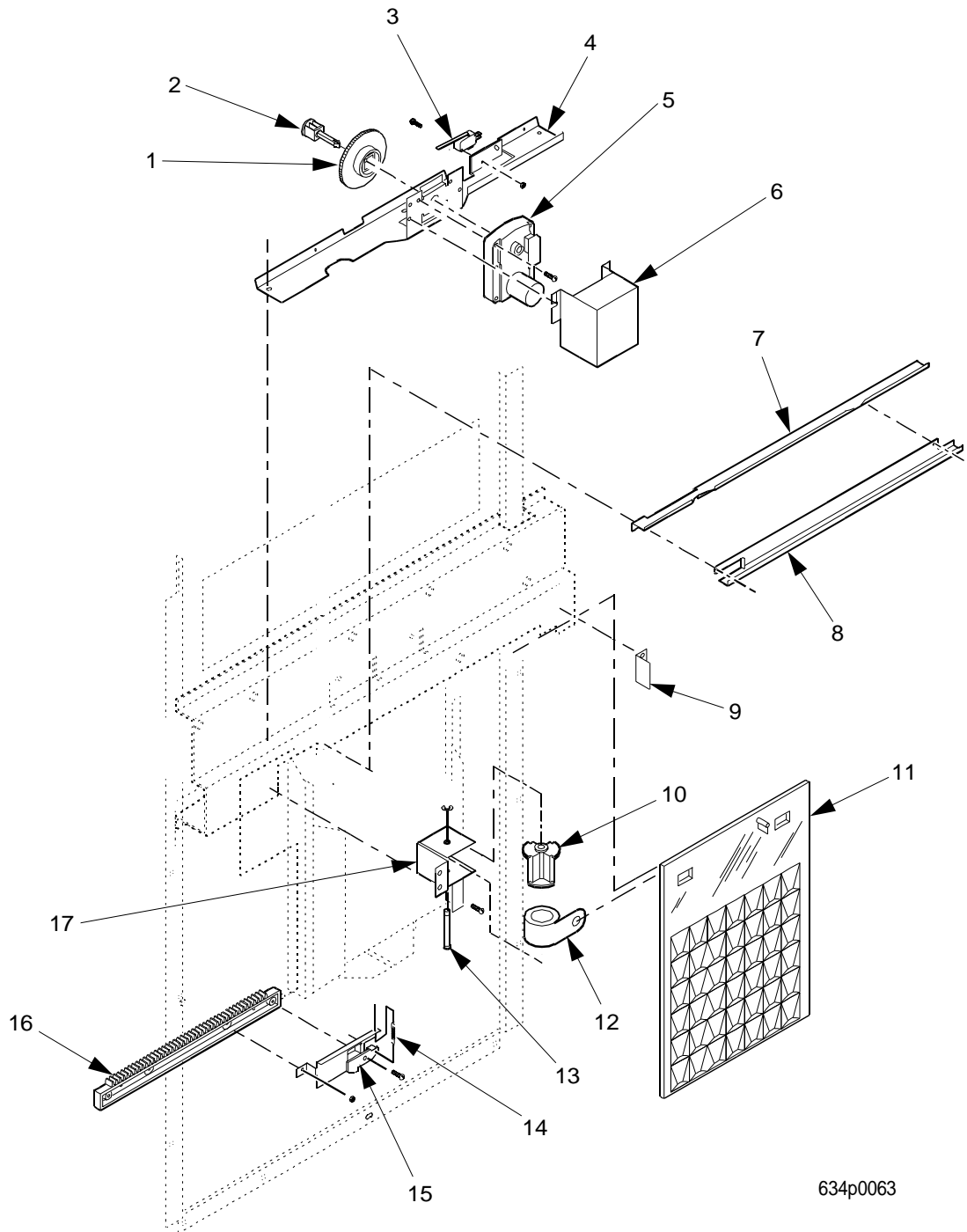


Figure 20. Delivery Door Options

EuroTwin Drink Center Parts Manual

TABLE 20. DELIVERY DOOR OPTIONS

| INDEX | PART NUMBER | DESCRIPTION | QTY |
|-------|-------------|--|-----|
| - | P6230804 | MANUAL DELIVERY DOOR OPTION (INCLUDES INDEX NUMBERS 9 THRU 13 PLUS 17) | 1 |
| | P6230805 | AUTO DELIVERY DOOR OPTION (INCLUDES INDEX 1 THRU 6 AND 9 THRU 17) | |
| - | 6239026 | HARNESS - AUTO DOOR (NOT SHOWN) | 1 |
| - | 1452139 | RETAINER - HARNESS (NOT SHOWN) | 3 |
| 1 | 1477020 | GEAR - TRAY | 1 |
| 2 | 1477113 | COUPLING - SPIRAL | 1 |
| 3 | 5220108 | SWITCH | 1 |
| 4 | 3282004 | BRACKET-MOTOR-AUTO DOOR | 1 |
| 5 | 1577035 | MOTOR AND PCB ASSEMBLY | 1 |
| 6 | 6232263 | COVER - MOTOR - VEND DOOR | 1 |
| 7 | 6532010 | TRACK - GEAR RACK | 1 |
| 8 | 6232172 | TRACK - VEND DOOR | 1 |
| 9 | 6232096 | STOP - VEND DOOR | 1 |
| 10 | 6232084 | SPOOL - SPRING | 1 |
| 11 | 6232065 | DOOR - VEND | 1 |
| 12 | 6232091 | SPRING - VEND DOOR | 1 |
| 13 | 6232085 | SHAFT - SPOOL | 1 |
| 14 | 3108141 | SPRING COVER AIR GAP | 1 |
| 15 | 6232160 | PLATE ASSEMBLY - RACK | 1 |
| 16 | 6234106 | RACK - BREWER | 1 |
| 17 | 6232089 | HOUSING - SPRING | 1 |

EuroTwin Drink Center Parts Manual

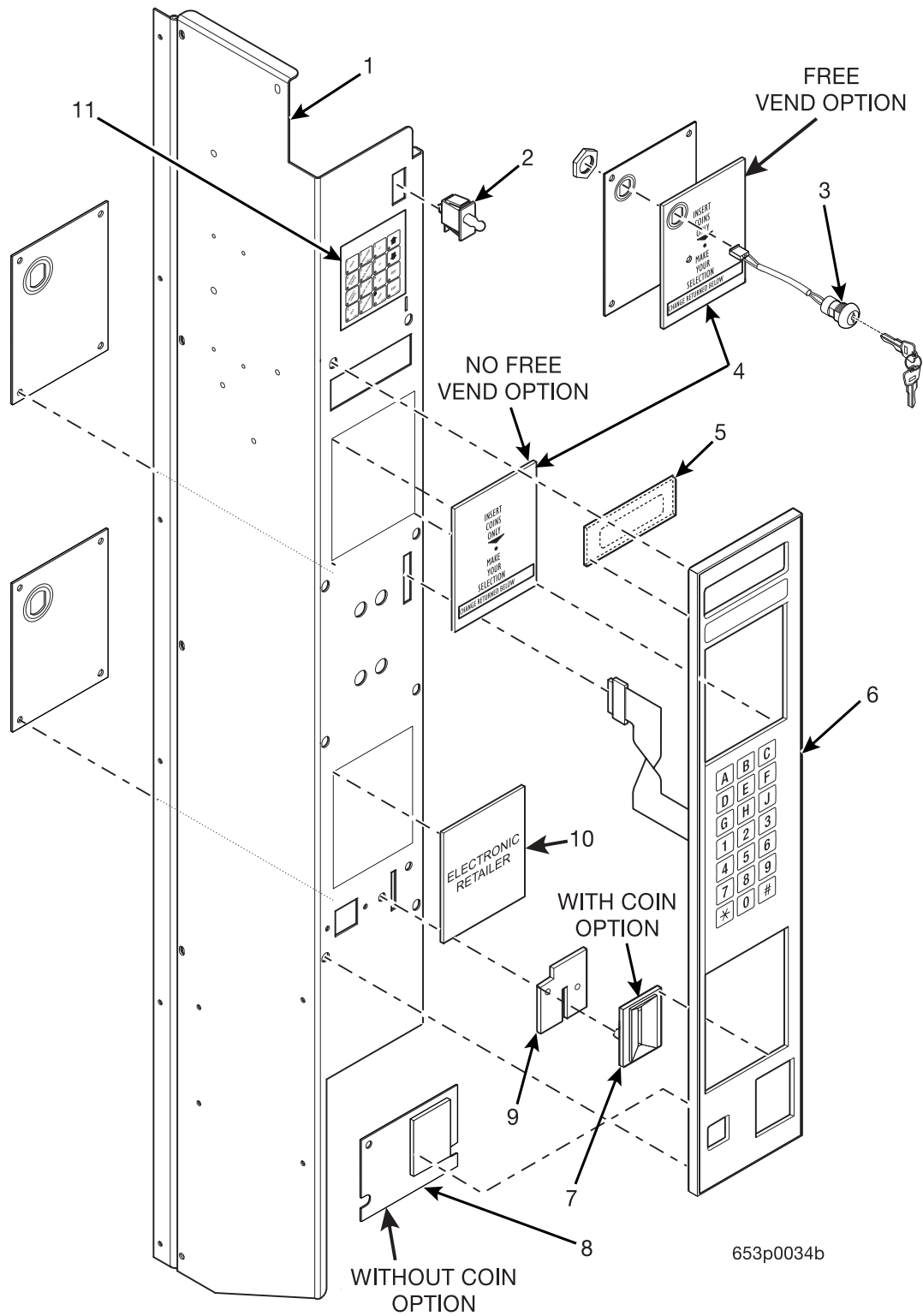


Figure 21. Monetary Panel Assembly - Part 1

EuroTwin Drink Center Parts Manual

TABLE 21. MONETARY PANEL ASSEMBLY - PART 1

| INDEX | PART NUMBER | DESCRIPTION | QTY |
|--------------|--------------------|---|------------|
| 1 | 1575094 | MONETARY PANEL WELD ASSEMBLY - NV BLACK | 1 |
| | 4875001 | MONETARY PANEL WELD ASSEMBLY - SELECTA WHITE | |
| 2 | 141110 | SWITCH SERVICE | 1 |
| 3 | 9989639 | SWITCH ASSEMBLY - FREE VEND | OPT |
| 4 | - | UPPER MONETARY INSTRUCTION INSERT (FIGURE 24) | OPT |
| 5 | 1572013 | LENS - DISPLAY | 1 |
| 6 | 1575098 | FACEPLATE ASSEMBLY (WITH COIN OPTION) | 1 |
| | 1575099 | FACEPLATE ASSEMBLY (NO COIN OPTION) | |
| 7 | 1472223 | COIN INSERT (WITH COIN OPTION) | 1 |
| | 1672001 | COIN INSERT - AUSTRALIA | |
| 8 | 1575044 | COVER PLATE ASSEMBLY - NO COIN ASSEMBLY | OPT |
| 9 | 1472222 | COIN BLOCK | 1 |
| 10 | - | LOWER MONETARY INSTRUCTION INSERT (FIGURE 25) | OPT |
| 11 | 6335002 | SERVICE KEYPAD ASSEMBLY | 1 |

EuroTwin Drink Center Parts Manual

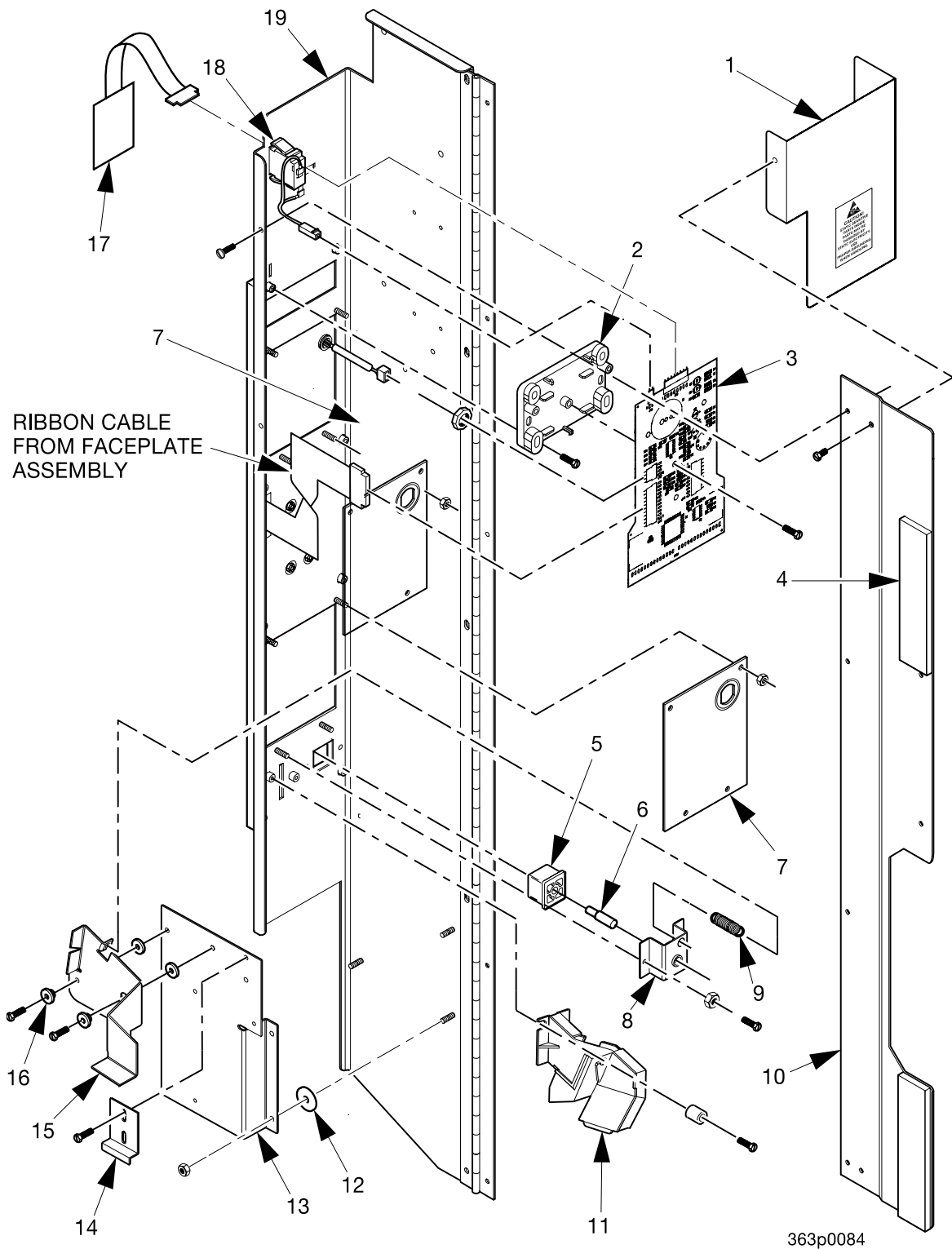


Figure 22. Monetary Panel Assembly - Part 2

EuroTwin Drink Center Parts Manual

TABLE 22. MONETARY PANEL ASSEMBLY - PART 2

| INDEX | PART NUMBER | DESCRIPTION | QTY. |
|-------|-------------|---|------|
| 1 | 1575029 | COVER - DISPLAY | 1 |
| 2 | 1475099 | BRACKET - PCB - DISPLAY | 1 |
| 3 | 9989685 | PCB ASSEMBLY - DISPLAY | 1 |
| 4 | 3122056 | MAGNET RETAINER COIN CHANGER | 1 |
| 5 | 1475026 | BUTTON - COIN RETURN | 1 |
| 6 | 1475072 | SHAFT - RETURN BUTTON | 1 |
| 7 | - | UPPER OR LOWER MONETARY POSITION (TABLE 26) | - |
| 8 | 1571079 | BRACKET - COIN RETURN BUTTON | 1 |
| 9 | 1127808 | SPRING SHELF RESET | 1 |
| 10 | 1575057 | PLATE - MAGNET MOUNTING | 1 |
| 11 | 1575003 | COIN CHUTE ASSEMBLY | OPT. |
| 12 | 9900067 | WASHER STEEL 7/16 X.203 X.062 | 2 |
| 13 | 1571081 | BRACKET ASSEMBLY - COIN MECHANISM | OPT. |
| 14 | 6231037 | CLAMP - CABLE | 1 |
| 15 | 1571113 | ARM - SCAVENGER | 1 |
| 16 | 2204093 | WASHER - SCAVENGER BAR | 1 |
| 17 | 6335002X | SERVICE KEYPAD ASSEMBLY | 1 |
| | 6335005 | SERVICE KEYPAD ASSY-SPANISH | |
| 18 | 1401110 | SWITCH | 1 |
| 19 | 1575094 | PANEL WELD ASSEMBLY - MONETARY | 1 |

THE FOLLOWING IS AVAILABLE AS AN ASSEMBLY:

| | |
|----------|--|
| P1571081 | BRACKET ASSEMBLY - COIN MECH (INCLUDE INDEX NUMBERS 11 THROUGH 15) |
|----------|--|

EuroTwin Drink Center Parts Manual

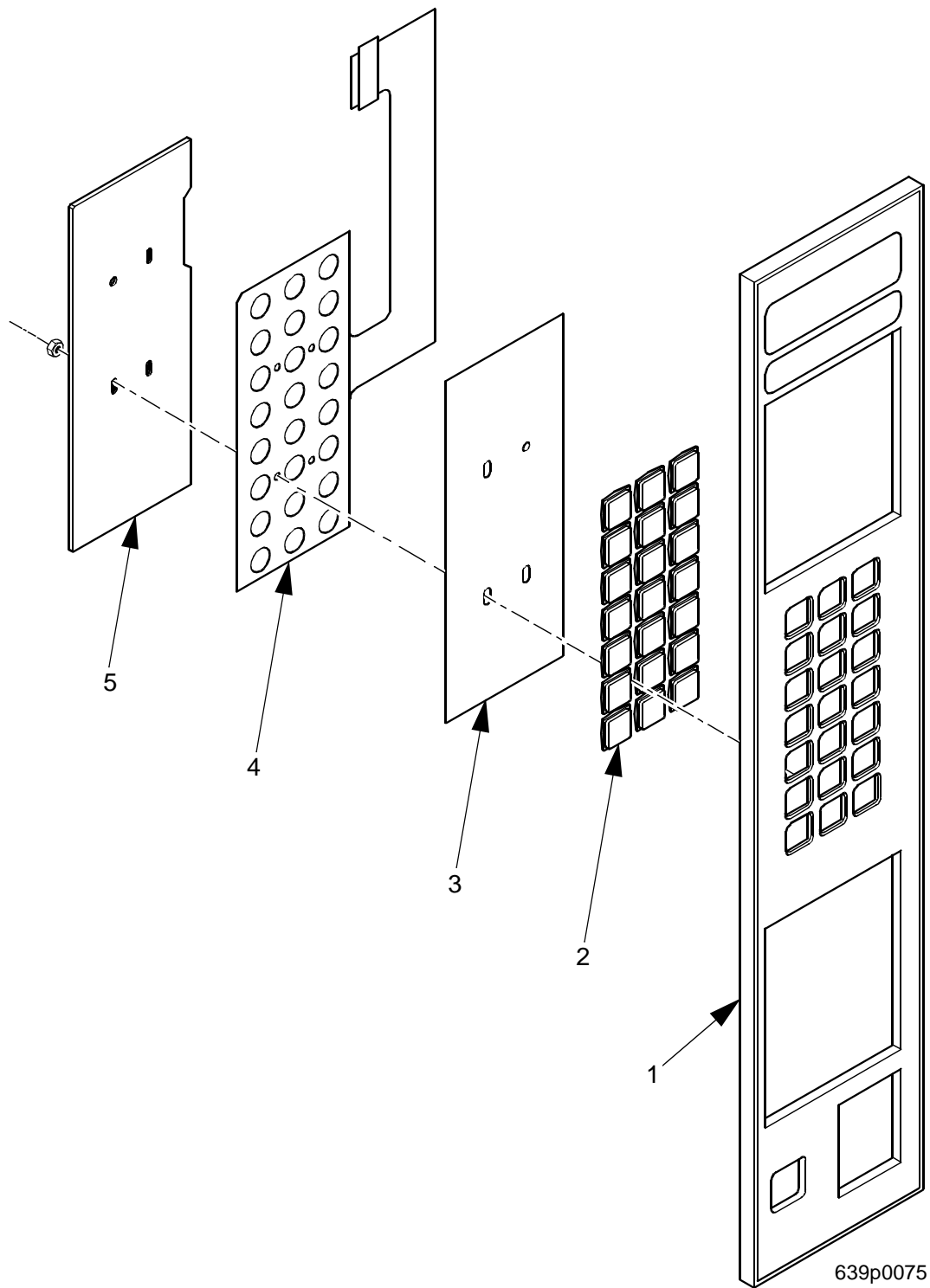


Figure 23. Faceplate Assembly

EuroTwin Drink Center Parts Manual

TABLE 23. FACEPLATE ASSEMBLY

| INDEX | PART NUMBER | DESCRIPTION | QTY |
|--------------|--------------------|---|------------|
| - | 1575098 | FACE PLATE ASSEMBLY - WITH COIN | - |
| | 1575099 | FACE PLATE ASSEMBLY - NO COIN | |
| 1 | 1575001 | SELECTION PANEL-MONETARY (WITH COIN OPTION) | 1 |
| | 1575043 | FACEPLATE - NO COIN | |
| 2 | 1472251 | LENS - PUSHBUTTON | 21 |
| 3 | 1575010 | LETTER SHEET - SELECTION SWITCH | 1 |
| 4 | 9984630 | MEMBRANE SWITCH ASSEMBLY - SELECT | 1 |
| 5 | 1575091 | PLATE - SELECT SWITCH - BACK UP - W/STUD | 1 |

EuroTwin Drink Center Parts Manual

THE FREE VEND INSERT IS THE SAME AS SHOWN WITH THE ADDITION OF A HOLE IN THE UPPER LEFT CORNER FOR THE FREE VEND KEY SWITCH

Instructions

- ① Insert Money
- ② Press Selection
- ③ Press for Extras
if desired

Extra Strong _____ *

Extra Whitener _____ 0

Extra Sweetener _____ #

Un-Whipped _____ J

CHANGE RETURNED BELOW

UK
ENGLISH

6362007

6362007 - NO FREE VEND
6362008 - WITH FREE VEND

Instructions

- ① Insérer votre monnaie
- ② Faites votre sélection
- ③ Ajoutez des extras
(si désiré)

Extra Fort _____ *

Extra Lait _____ 0

Extra Sucre _____ #

RENDU MONNAIE CI-DESSOUS

FRENCH

6362012

6362012 - NO FREE VEND
6362009 - WITH FREE VEND

Bedienungshinweis

- ① Geld einwerfen
- ② Getränk wählen
- ③ Extras wählen

Extra stark _____ *

Extra Weißer _____ 0

Extra süß _____ #

gequirlt _____ J

GERMAN

6362013

6362013 - NO FREE VEND
6362010 - WITH FREE VEND

Instrucciones

- ① Introduzca Moneda
- ② Efectue Su Selección
- ③ Añada Los Extras
(si lo desea)

Extra Fuerte _____ *

Extra Leche _____ 0

Extra Azucar _____ #

Batido _____ J

**Devolucion/Cambio
En La Parte Inferior**

SPANISH

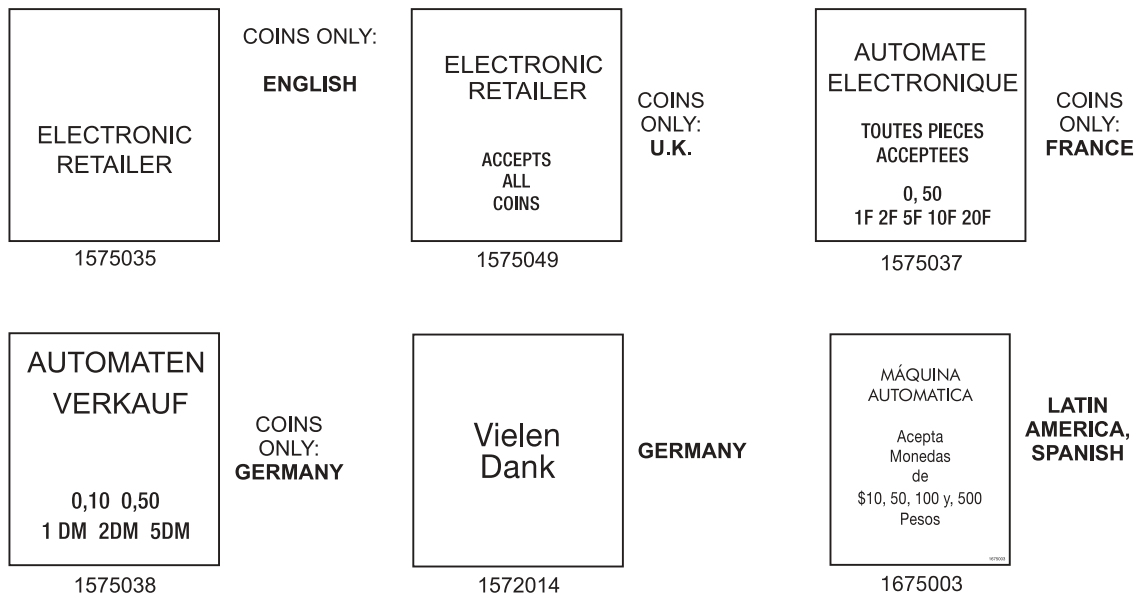
6362015

6362015 - NO FREE VEND
6362006 - WITH FREE VEND

631P0031

Figure 24. Monetary Inserts - Upper Position

EuroTwin Drink Center Parts Manual



631p0030

Figure 25. Monetary Inserts - Lower Position

EuroTwin Drink Center Parts Manual

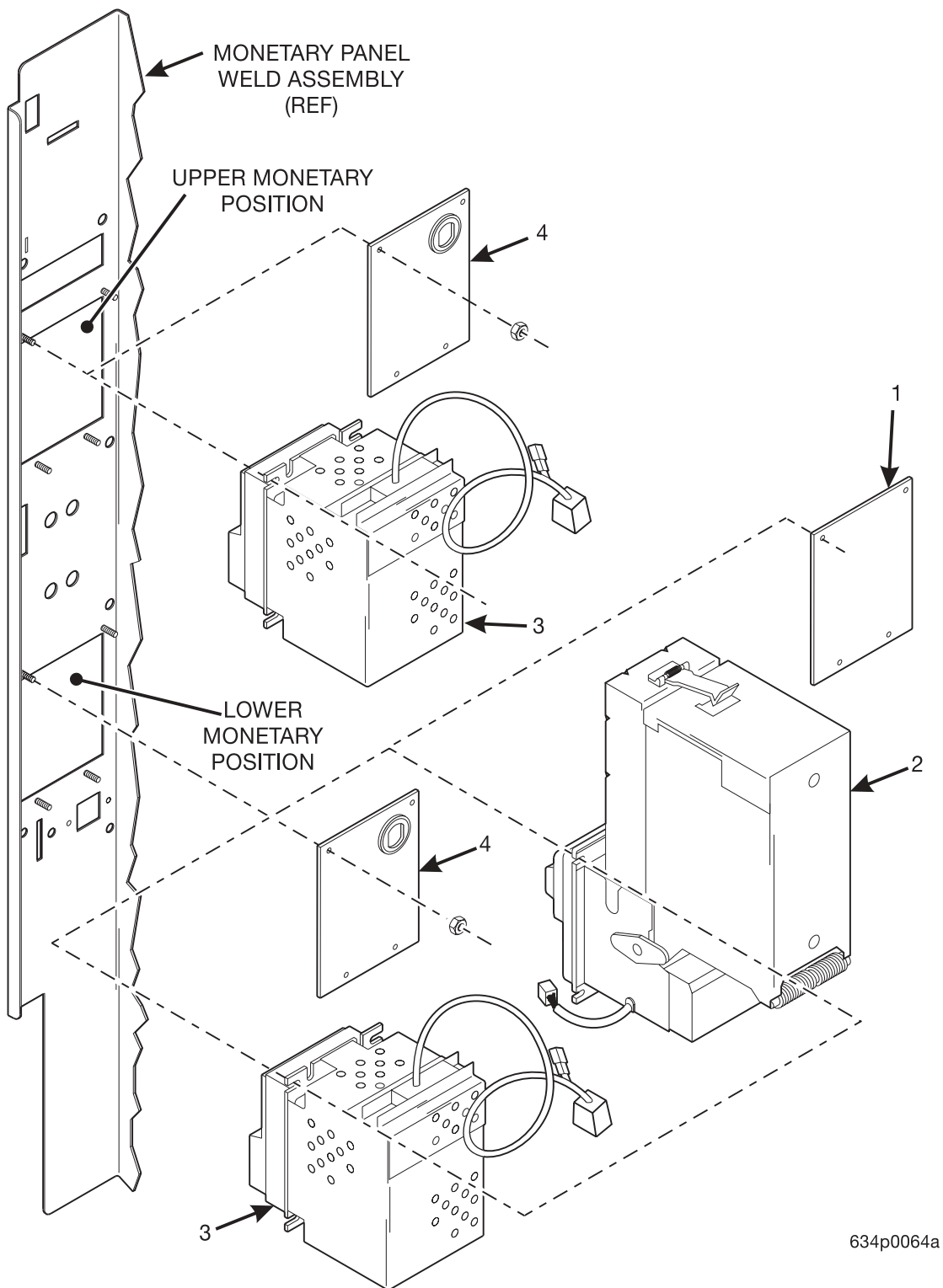


Figure 26. Card Reader and Bill Validator Options

EuroTwin Drink Center Parts Manual

TABLE 26. CARD READER AND BILL VALIDATOR OPTIONS

| INDEX | PART NUMBER | DESCRIPTION | QTY |
|-------|-------------|---|----------|
| 1 | 1575053 | PLATE - NO VALIDATOR | - |
| 2 | - | BILL VALIDATOR (SEE TABLES 26A, 26B, 26C) | OPT |
| 3 | - | DEBIT CARD READER (TABLE 26D) | OPT |
| 4 | - | INSTRUCTION INSERT BACKING PLATE | 0, 1, 2* |

*QUANTITY VARIES WITH MONETARY CAPABILITY
NOTE: ALL ITEMS ARE SECURED WITH FOUR NUTS - PART NUMBER 9900081.

TABLE 26A. BILL VALIDATOR OPTIONS - "SERIAL"

| PART NUMBER | DESCRIPTION | HARNESS P/N |
|-------------|--|----------------------------|
| 5900182 | VALIDATOR - COINCO BA20SA | 1579028 |
| 5900248 | VALIDATOR - MARS AE2611 - U5E | 1579028 |
| 5900193 | VALIDATOR - MARS S2000 - VN2511 - U5E | 1579028 |
| 5900205 | VALIDATOR - MARS - VN 2512 - U5E 24V | 1579032 1579031 9989718 |
| 5900221 | VALIDATOR - COINCO - BA 32 SA - 24V | 15790329989718 |
| 5900233 | VALIDATOR - CONLUX - MKA 2152 - 12B - 120V | 1579028 |
| 5900234 | VALIDATOR - CONLUX - MKA 2162 - 12B - 24V | 1579032 9989718 |

TABLE 26B. BILL VALIDATOR OPTIONS - "PULSE"

| PART NUMBER | DESCRIPTION | HARNESS P/N |
|-------------|--|-------------|
| 1475053 | MAKA VAL - MASK K (NB - 1KB - 400) | 1579006 |
| 5900198 | VALIDATOR - MARS - S2000 - VN2311 - U5E - 110V | 1579005 |

EuroTwin Drink Center Parts Manual

TABLE 26C. BILL VALIDATOR OPTIONS - "MDB"

| PART NUMBER | DESCRIPTION | HARNESS P/N |
|--------------------|---|--------------------|
| 5900182 | VALIDATOR - COINCO BA30SA | 1579034 |
| 5900210 | VALIDATOR - MARS - VN 2512 - U5M/500 | - |
| 5900234 | VALIDATOR - CONLUX - MKA 2162 - 12B - 24V | 1579050 |
| 5900247 | VALIDATOR - AE2612 - U5M "MDB" | - |

TABLE 26D. CARD READERS

| PART NUMBER | DESCRIPTION | HARNESS P/N |
|--------------------|------------------------------------|--------------------|
| 1475107 | DEBITEK #V15 - MM - NAT SYSTEM III | 9989631 |
| 6331052 | BRACKET - DEBITEK CONTROLLER | - |

TABLE 26E. COIN MECH OPTIONS - "DUMB"

| PART NUMBER | DESCRIPTION |
|--------------------|--|
| 5900116 | MARS - TRC 6000 |
| 5307321 | COINTRON 3000 |
| 5900096 | COINCO 9340 L |
| 5900096 | COINCO 9340 L - BRC |
| 5900112 | MARS - MC5000 |
| 6400002 | MARS - TRC 6010 XV - 24V - W/15 PIN PLUG |
| 6400003 | COINCO - 9302 LF - 24 V - W/15 PIN PLUG |
| 5900192 | CONLUX - USLX0041F |
| 5900094 | COINCO 9300 L |

NOTE

National Vendors does not sell Exec coin mechanisms for the non-domestic market.

EuroTwin Drink Center Parts Manual

TABLE 26F. COIN MECH OPTIONS - "MDB"

| PART NUMBER | DESCRIPTION |
|-------------|---------------------------|
| 5900244 | COINCO - USD - G701 "MDB" |
| 5900243 | MARS - TRC6512 "MDB" |
| 5900209 | CONLUX - USLZ - 001 "MDB" |

EuroTwin Drink Center Parts Manual

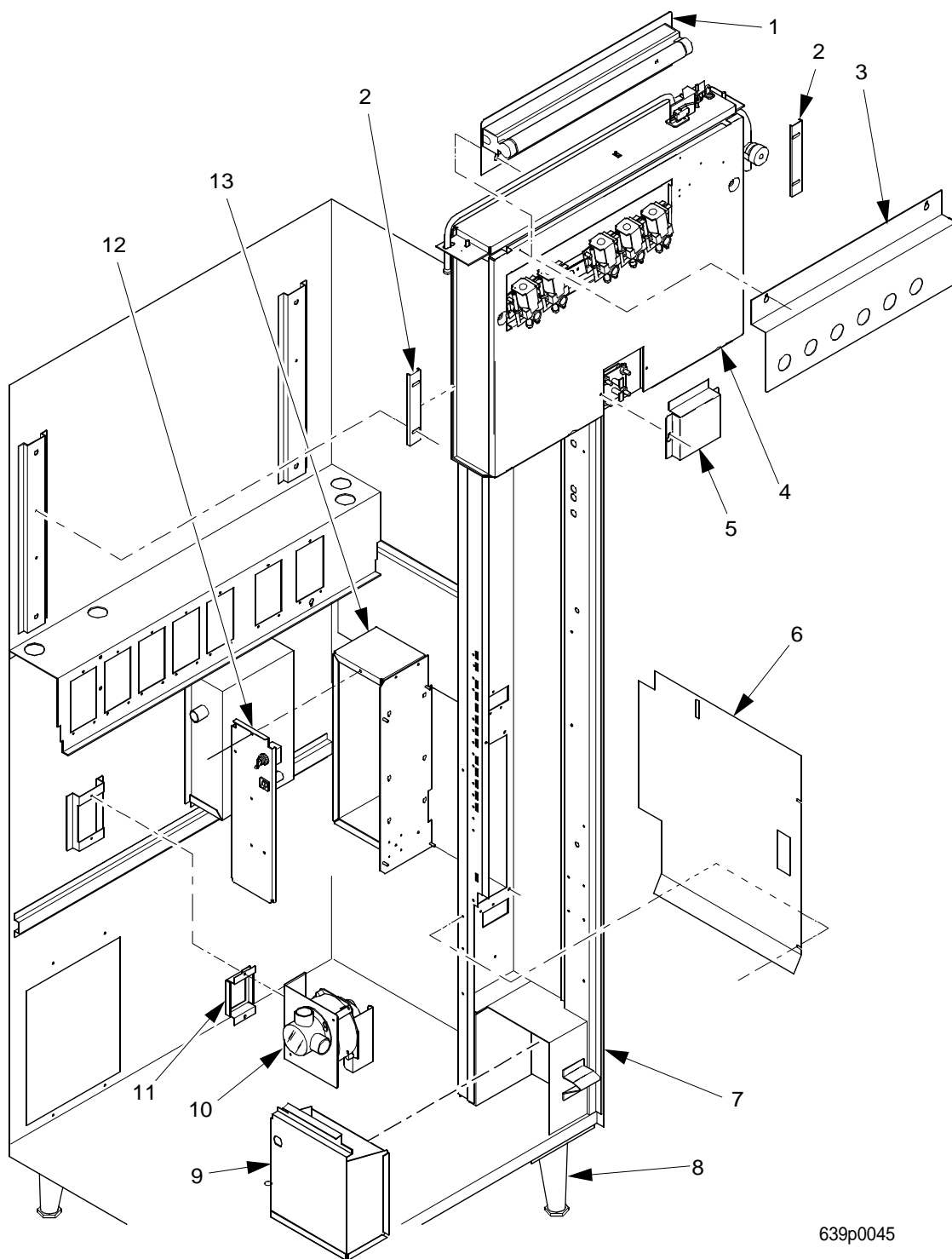


Figure 27. Cabinet Assembly - Inner Layer

EuroTwin Drink Center Parts Manual

TABLE 27. CABINET ASSEMBLY - INNER LAYER

| INDEX | PART NUMBER | DESCRIPTION | QTY. |
|--------------|--------------------|--|-------------|
| 1 | 6339012 | LIGHT AND BRACKET ASSEMBLY - FLUORESCENT - 230V | 1 |
| 2 | 6231036 | CLAMP - WATER TANK | 2 |
| 3 | 6338032 | COVER - HOT WATER VALVE | 1 |
| 4 | 6338045 | WATER TANK ASSEMBLY - BASIC - 230 V. | 1 |
| 4 | 6368000 | WATER TANK ASSEMBLY - NESTLE - 230 V | |
| 5 | 6238104 | COVER - HEATER - WATER TANK | 1 |
| 6 | 6391052 | SPLASH PANEL - EUROTWIN | 1 |
| 7 | 6391046 | CABINET ASSEMBLY - NV BLACK | 1 |
| 7 | 6391047 | CABINET ASSEMBLY - MILLENNIA GRAY | |
| 8 | - | LEG, LEVELER, AND LEG & HINGE ASSEMBLIES (FIGURE 39) | - |
| 9 | 1571029 | MONEY BOX | 1 |
| - | 1101906 | MONEY BOX LOCK #1801 NV 407 | OPT |
| - | 2221920 | KEY - CHICAGO LOCK #1801 NV 407 | OPT |
| - | 2222603 | NUT - LOCK RETAINING | OPT |
| - | 2226704 | WASHER - LOCK BARRELL | OPT |
| 10 | 6391057 | BRACKET, BLOWER & COVER ASSEMBLY - FRESH BREW | 1 |
| | 6331090 | BRACKET, BLOWER & COVER ASSY - FREEZE DRY | |
| 11 | 1471055 | BEZEL - EXHAUST FAN | 1 |
| 12 | 4521020 | POWER PANEL ASSEMBLY - U.K. | 1 |
| 12 | 4521041 | POWER PANEL ASSEMBLY - FRANCE AND GERMANY | |
| 13 | 6361186 | HOUSING ASSEMBLY - POWER PANEL | 1 |

EuroTwin Drink Center Parts Manual

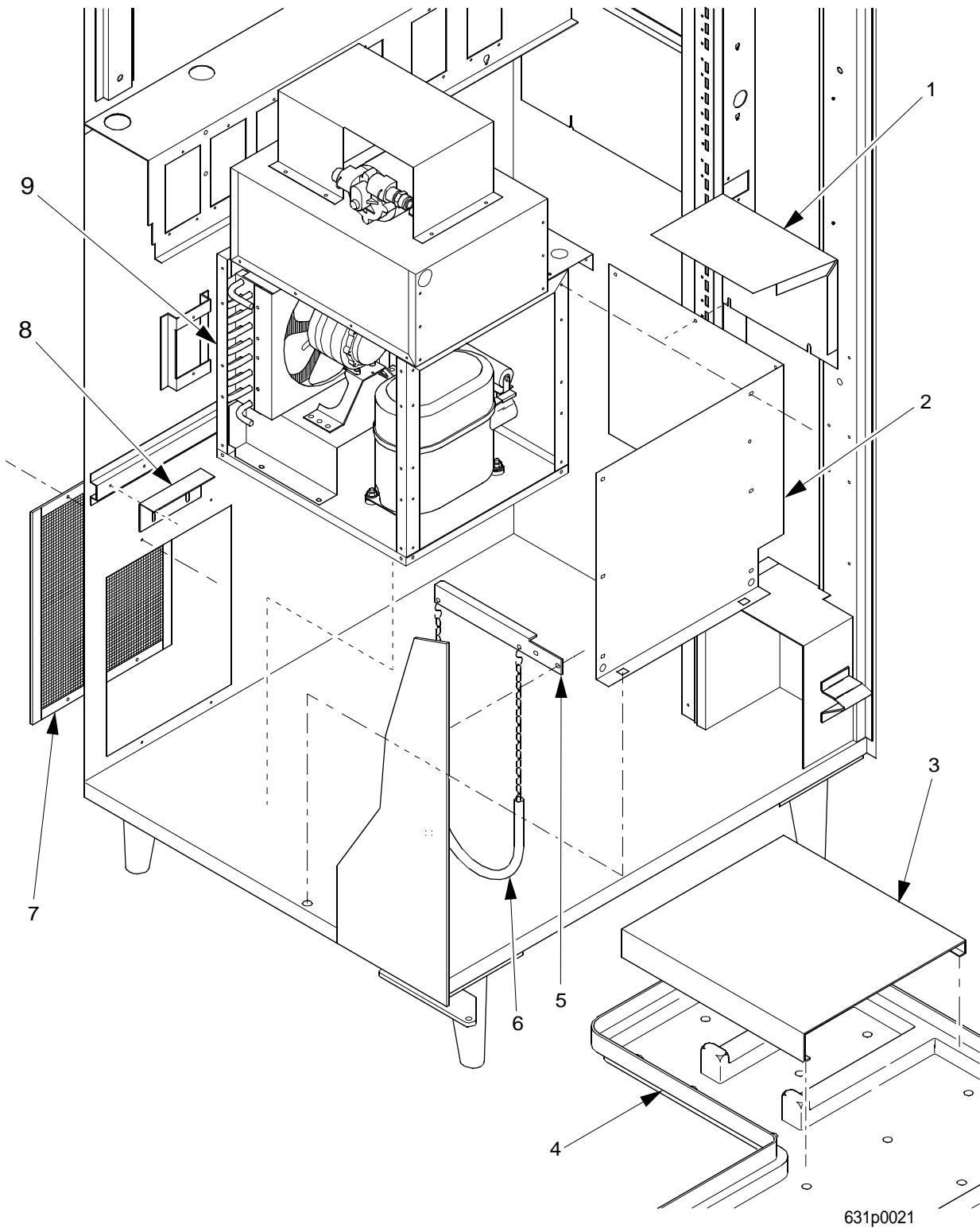


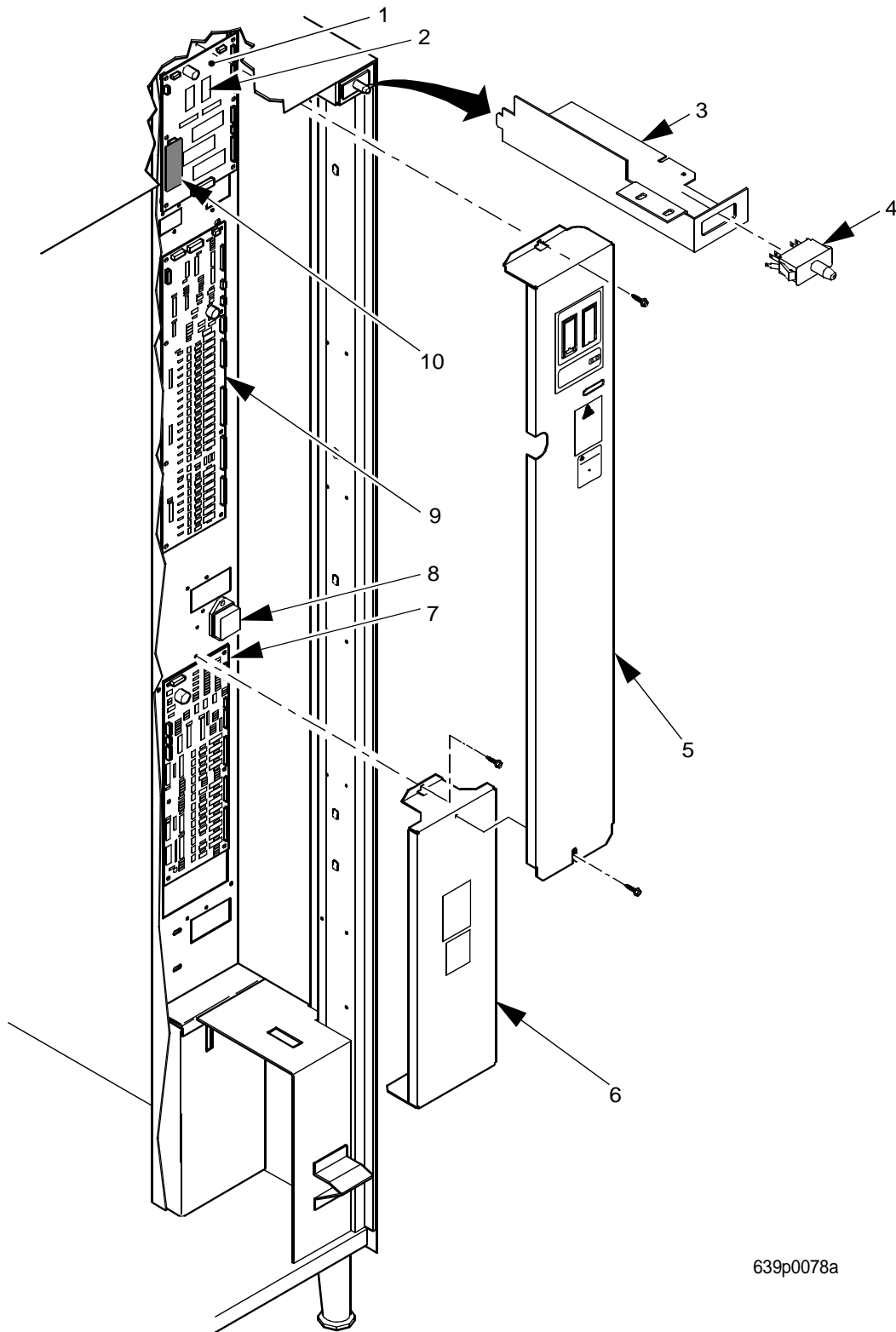
Figure 28. Cabinet Assembly - Part 2

EuroTwin Drink Center Parts Manual

TABLE 28. CABINET ASSEMBLY - PART 2

| INDEX | PART NUMBER | DESCRIPTION | QTY. |
|-------|-------------|-------------------------------|------|
| 1 | 6394064 | PANEL-TOP-REFRIGERATION | 1 |
| 2 | 6394058 | PANEL-FRONT-REFRIGERATION | 1 |
| 3 | 6391053 | PLATE-BIB SUPPORT | 1 |
| 4 | 6391031 | LINER-FLOOR-EUROTWIN | 1 |
| 5 | 6391023 | BRACKET-CO2 TANK HOLDER | 1 |
| 6 | 6391025 | RETAINER ASSY-CO2 TANK | 1 |
| 7 | 6391038 | SCREEN ASSY-AIR | 1 |
| 8 | 6391048 | BRACKET-COOLER MTG-BACK | 1 |
| 9 | 6398169 | REFRIG.MOD-DRYCOOL-230V-R134A | 1 |

EuroTwin Drink Center Parts Manual



639p0078a

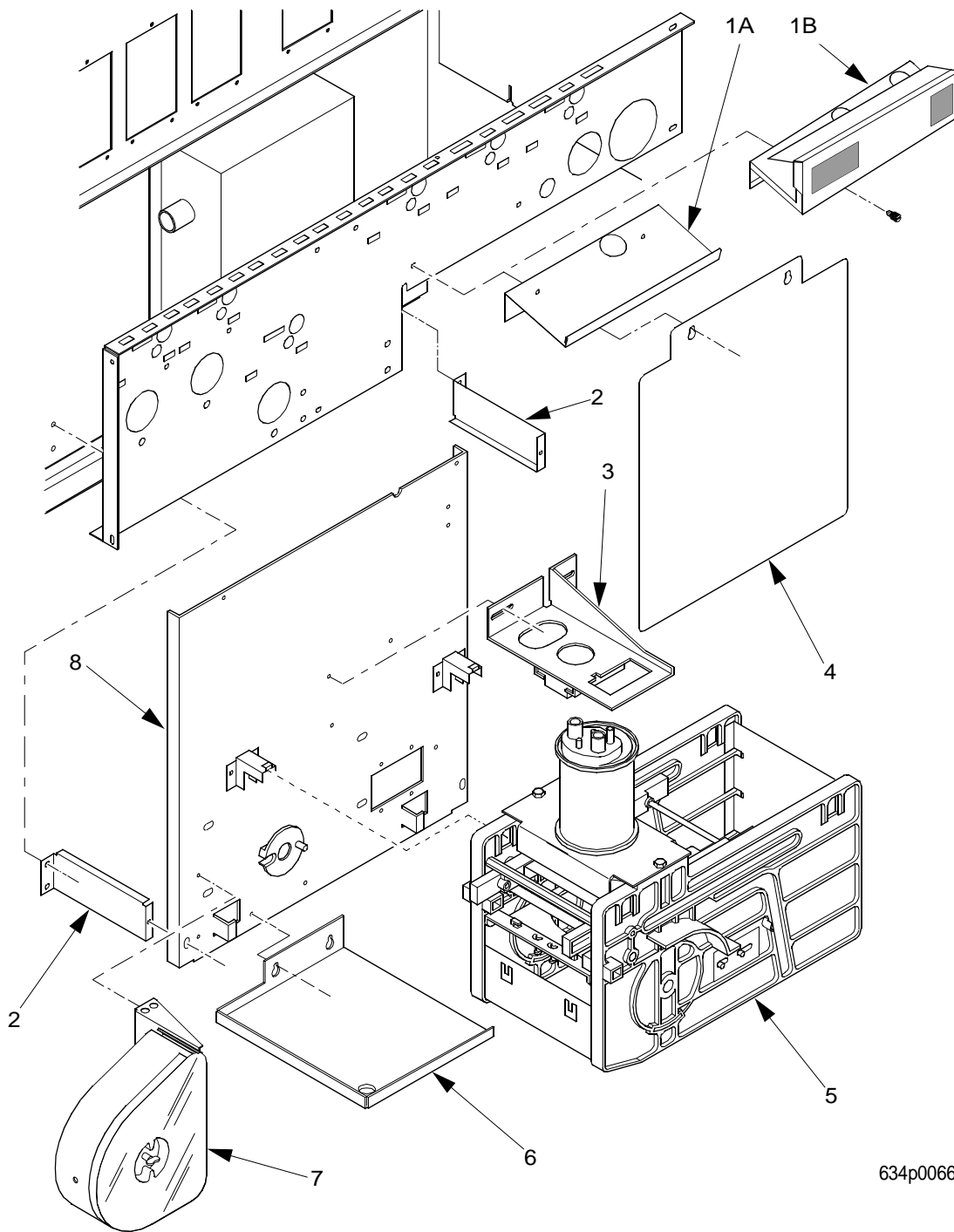
Figure 29. Cabinet Assembly - Part 3

EuroTwin Drink Center Parts Manual

TABLE 29. CABINET ASSEMBLY - PART 3

| INDEX | PART NUMBER | DESCRIPTION | QTY. |
|-------|-------------|--|------|
| 1 | 9989755 | PCB ASSEMBLY - MAIN CONTROLLER | 1 |
| 2 | - | IC ASSEMBLY (SEE LABEL ON EPROM FOR PART NUMBER) | 1 |
| 3 | 1571021 | BRACKET - SWITCH - INTERLOCK | 1 |
| 4 | 2366135 | SWITCH | 1 |
| 5 | 3631037 | COVER - PCB - UPPER | 1 |
| 6 | 3631038 | COVER - PCB - LOWER | 1 |
| 7 | 3636009 | PCB ASSEMBLY - TWIN/EURO - INTERFACE | 1 |
| 8 | 9983778 | TRIAC - 35A - 600 V | 1 |
| 9 | 6556000 | PCB ASSEMBLY - HOT DRINK INTERFACE | 1 |
| 10 | 9989687 | PCB ASSEMBLY - EXECUTIVE INTERFACE | 1 |

EuroTwin Drink Center Parts Manual



634p0066

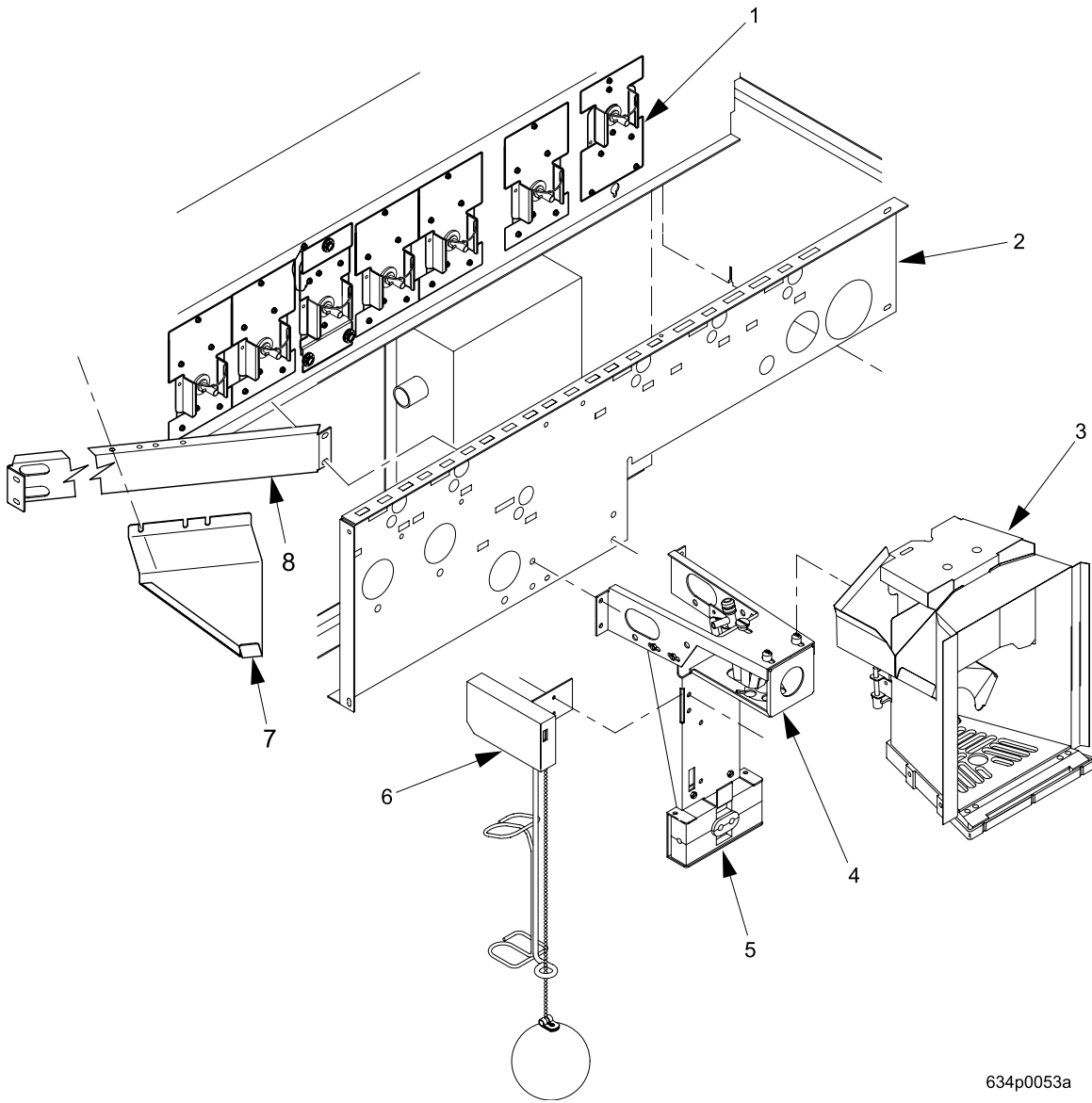
Figure 30. Cabinet Assembly - Part 4

EuroTwin Drink Center Parts Manual

TABLE 30. CABINET ASSEMBLY - PART 4

| INDEX | PART NUMBER | DESCRIPTION | QTY |
|-------|-------------|---|-----|
| 1A | 6351005 | BRACKET-TUBING RETAINER | 1 |
| 1B | 6361052 | HEATER ASSEMBLY - 230 V/50W (NESTLE OPTIONS FREEZE DRY ONLY) | 1 |
| 2 | 6234516 | BRACKET-MOUNTING PLATE (FRESH BREW) | 2 |
| 3 | 6237352 | LOCATOR & BRACKET ASSEMBLY (FRESH BREW) | 1 |
| 4 | 6241004 | COVER-BREWER (FRESH BREW) | 1 |
| 5 | 6234010 | SINGLE BREWER ASSEMBLY-NO FILTER PAPER (FRESH BREW) (FIGURE 42) | 1 |
| | 6234000 | SINGLE BREWER ASSEMBLY-W/FILTER PAPER (FRESH BREW) (FIGURE 43) | |
| 6 | 6341027 | BRACKET - TUBE RETAINER | 1 |
| 7 | 6234524 | DRAIN PAN-BREWER (FRESH BREW) | 1 |
| 8 | 6234622 | PAPER ROLL ASSEMBLY (FRESH BREW) (FIGURE 49) | 1 |
| 9 | 6334002 | BREWER DRIVE ASSEMBLY-SINGLE-230V (FIGURE 50) | 1 |

EuroTwin Drink Center Parts Manual



634p0053a

Figure 31. Cabinet Assembly - Part 5

EuroTwin Drink Center Parts Manual

TABLE 31. CABINET ASSEMBLY - PART 5

| INDEX | PART NUMBER | DESCRIPTION | QTY |
|-------|-------------|--|-----|
| 1 | - | CANISTER MOTOR AND PLATE ASSEMBLIES (TABLE 55) | - |
| 2 | - | CANISTER SUPPORT ASSEMBLY (FIGURE 67) | - |
| 3 | 6261409 | CUP DELIVERY ASSEMBLY-U.K. (UK, LATIN AMERICA 230, CHILE) (FIGURES 79, 80) | 1 |
| | 6361044 | CUP DELIVERY ASSEMBLY-FRANCE (FIGURES 79, 80) | |
| | 6261413 | CUP DELIVERY ASSEMBLY-FINAL-GERMAN (GERMANY) (FIGURES 79, 80) | |
| 4 | 6398180 | TUBE AND NOZZLE ASSEMBLY (FIGURE 81) | 1 |
| 5 | - | STANDARD MUG SENSOR & BRACKET ASSEMBLY (FIGURE 82) | OPT |
| | - | TRANSMISSIVE MUG SWITCH (GERMANY) (FIGURE 82) | |
| 6 | 6231223 | OVERFLOW SWITCH ASSEMBLY (FIGURE 83) | 1 |
| 7 | 6341027 | BRACKET - TUBE RETAINER | 1 |
| 8 | 6341007 | BRACE - CANISTER SUPPORT | 1 |

EuroTwin Drink Center Parts Manual

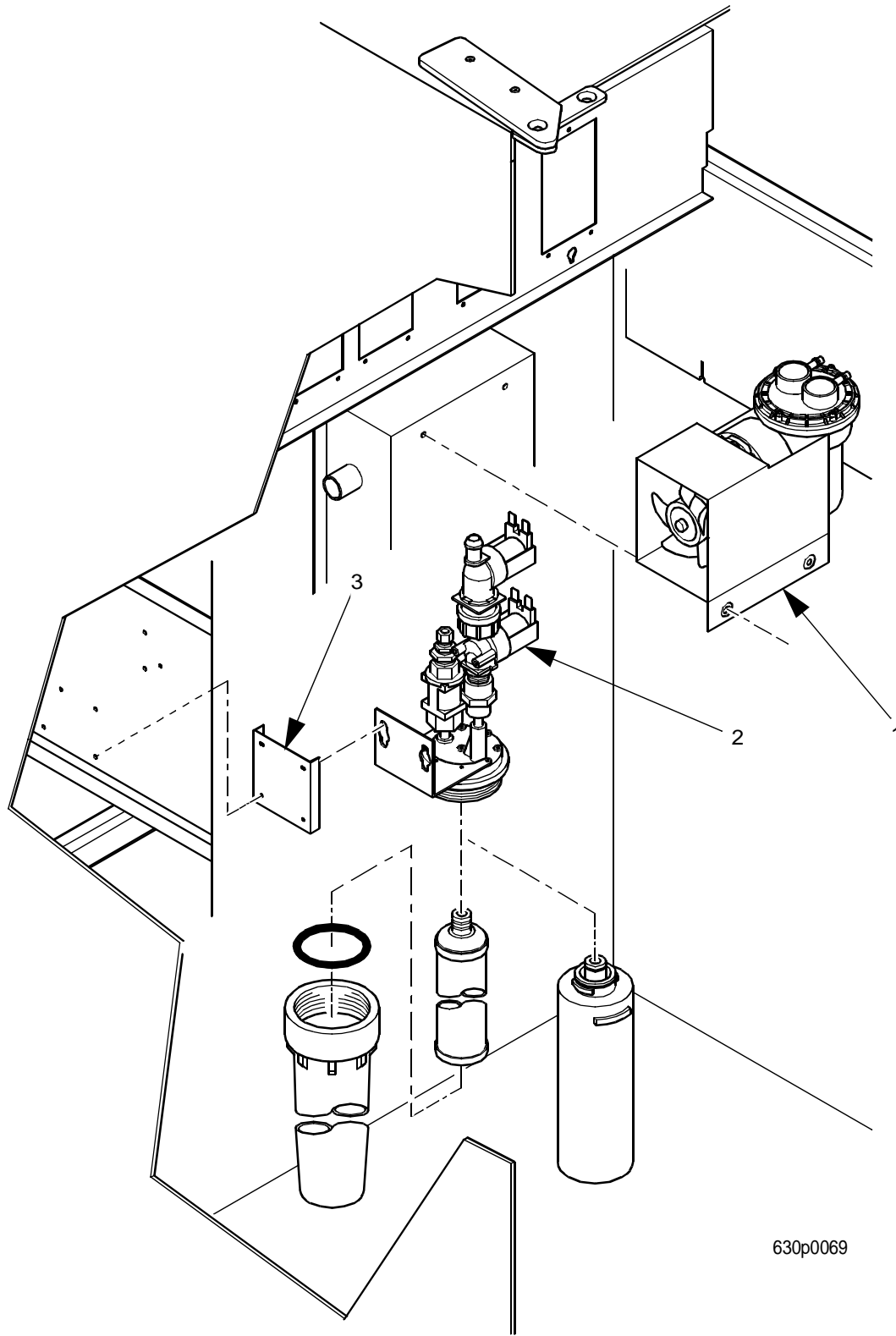


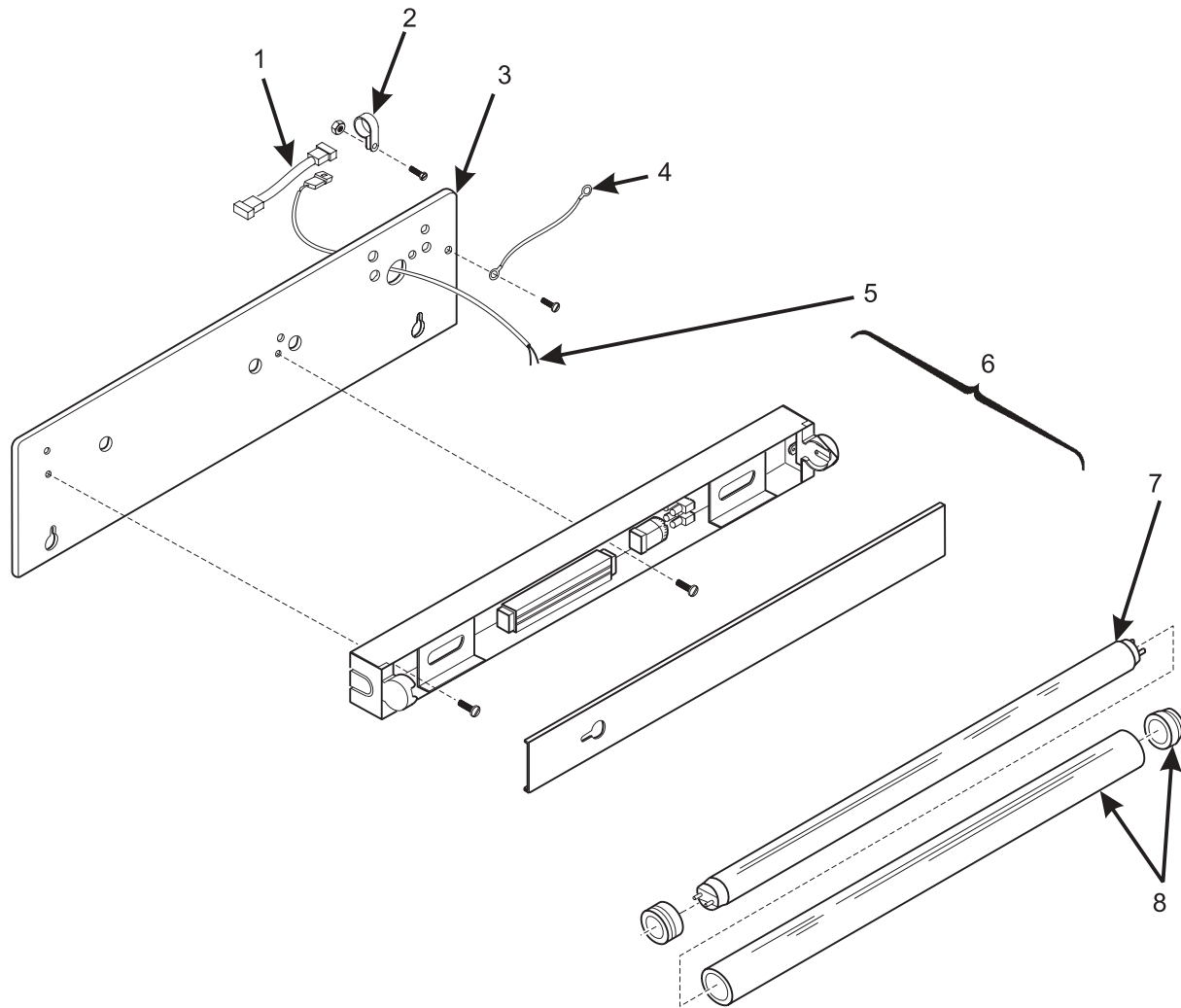
Figure 32. Cabinet Assembly - Part 6

EuroTwin Drink Center Parts Manual

TABLE 32. CABINET ASSEMBLY - PART 6

| INDEX | PART NUMBER | DESCRIPTION | QTY |
|--------------|--------------------|---|------------|
| 1 | 6334000 | AIR COMPRESSOR ASSEMBLY-230V (FIGURE 84) | 1 |
| 2 | 6331038 | BRACKET/VALVE ASSEMBLY-H2O INLET- 230V-WITHOUT FILTER | 1 |
| | 6408026 | FILTER HEAD ASSEMBLY-EVERPURE-230V (FIGURE 85) | |
| | 6338031 | HEAD ASSEMBLY-FILTER-HYDRO LIFE-230V (FIGURE 86) | |
| 3 | 6231142 | PLATE-WATER FILTER (USED WITH WATER FILTER OPTIONS) | 1 |
| - | 6201025 | WASTE BUCKET (NOT SHOWN) | 1 |
| - | 6231475 | BUCKET-GROUNDS - FRESH BREW | 1 |
| - | 6231478 | BAG-GROUNDS BUCKET - FRESH BREW | - |
| - | 6231230 | BRUSH-1/2" DIA. | 1 |
| - | 6231231 | BRUSH-1 1/4" DIA. | 1 |

EuroTwin Drink Center Parts Manual



633p0049

Figure 33. Service Light/Bracket Assembly

EuroTwin Drink Center Parts Manual

TABLE 33. SERVICE LIGHT/BRACKET ASSEMBLY

| INDEX | PART NUMBER | DESCRIPTION | QTY |
|--------------|--------------------|--|------------|
| - | 6339012 | LIGHT AND BRACKET ASSEMBLY - FLUORESCENT - 230 V | 1 |
| 1 | 1679005 | SUPPRESSION ASSEMBLY - 230 V | 1 |
| 2 | 4305043 | CABLE CLAMP - RICHCO #N4 | 3 |
| 3 | 6231559 | BRACKET - SERVICE LIGHT | 1 |
| 4 | 9984094 | JUMPER - GROUND WIRE | 1 |
| 5 | 6339011 | JUMPER - SERVICE LIGHT - INTERNATIONAL | 1 |
| 6 | 6239053 | LIGHT ASEMBLY - FLUORESCENT - 230 V | 1 |
| 7 | 2222096 | FLUORESCENT LAMP #F15T8CW, 96/CS | 1 |
| 8 | 6232305 | LAMP SLEEVE AND END CAPS ASSEMBLY - 16.35" LONG | 1 |

EuroTwin Drink Center Parts Manual

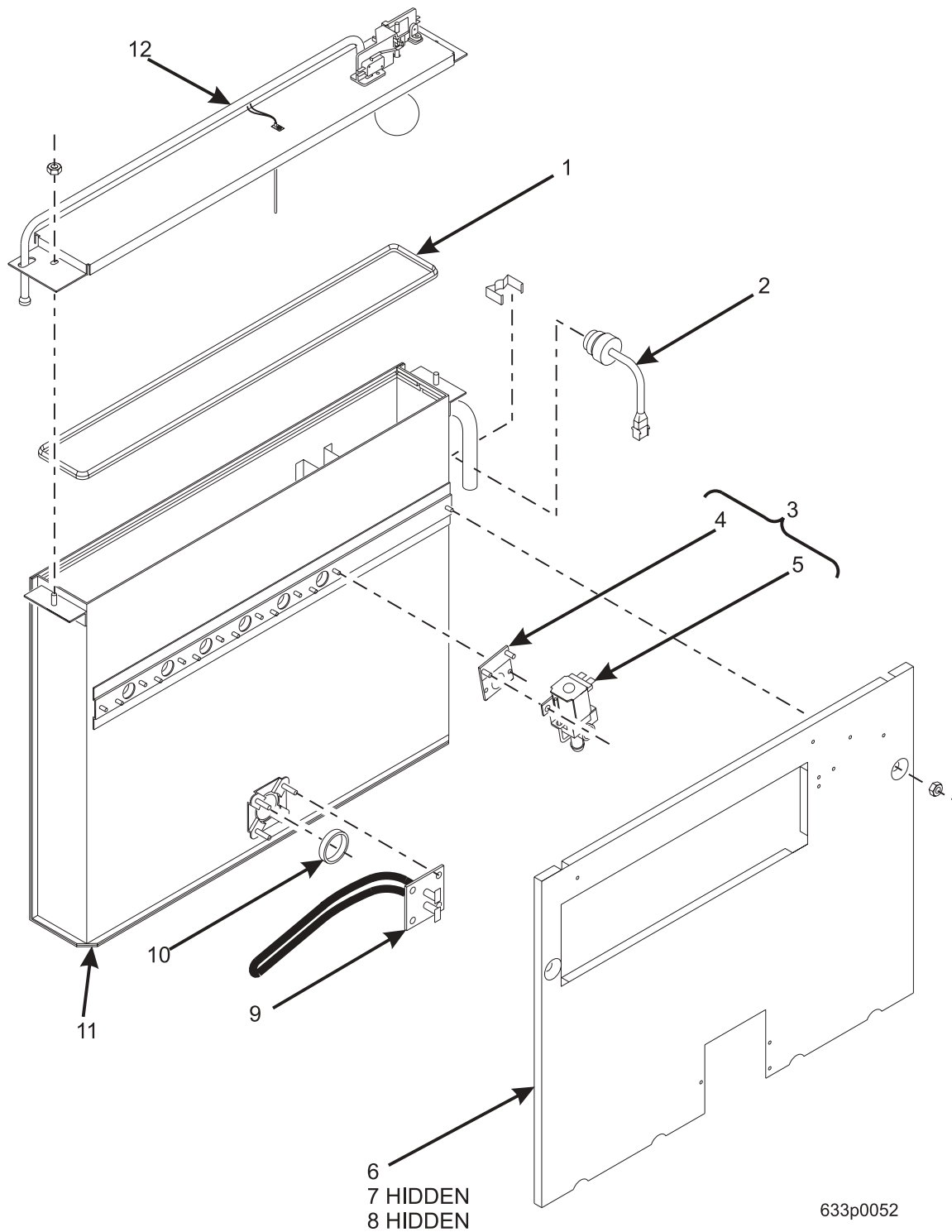


Figure 34. Hot Water Tank Assembly - Part 1

EuroTwin Drink Center Parts Manual

TABLE 34. HOT WATER TANK ASSEMBLY - PART 1

| INDEX | PART NUMBER | DESCRIPTION | QTY |
|-------|-------------|--|-----|
| - | 6338045 | WATER TANK ASSEMBLY - 230 V | - |
| - | 6368000 | WATER TANK ASSEMBLY - NESTLE - 230 V | - |
| 1 | 6238026 | GASKET - VULCANIZED - WATER TANK | 1 |
| 2 | 6338003 | THERMOSTAT ASSEMBLY - AUTO RESET | 1 |
| 3 | 6238116X | VALVE ASSEMBLY - HWT - 230 V (INCLUDES THE FOLLOWING 5 ITEMS) | * |
| 4 | 6238113 | VALVE - MOUNTING PLATE & STUD ASSEMBLY | 1 |
| 5 | 6338055 | VALVE - HWT - 230 V | 1 |
| - | 6338054 | VENT - ELBOW - SIEBE K72876 (NOT SHOWN) | 1 |
| - | 6238074 | "O" RING - .48 ID X .10 (NOT SHOWN) | 1 |
| - | 9900081 | NUT - #8-32 KEPS ZINC PLATE (NOT SHOWN) | 1 |
| 6 | 6238075 | COVER - FRONT - WATER TANK | 1 |
| 7 | 6238137 | INSULATION - TOP - HOT WATER TANK (NOT SHOWN) | 1 |
| 8 | 6238136 | INSULATION - BOTTOM - HOT WATER TANK (NOT SHOWN) | 1 |
| 9 | 6338042 | HEATER - 2000W - 230V | 1 |
| 10 | 6238042 | GASKET - HEATER | 1 |
| 11 | 6338008 | WELD ASSEMBLY - WATER TANK - 230V (NOTE: THIS ASSEMBLY HAS TWO OVERFLOW OUTLETS) | 1 |
| 12 | 6338046 | LID ASSEMBLY - FINAL - H.W.T. | 1 |

* STANDARD TANK - 3 VALVES; NESTLE TANK - 5 VALVES

EuroTwin Drink Center Parts Manual

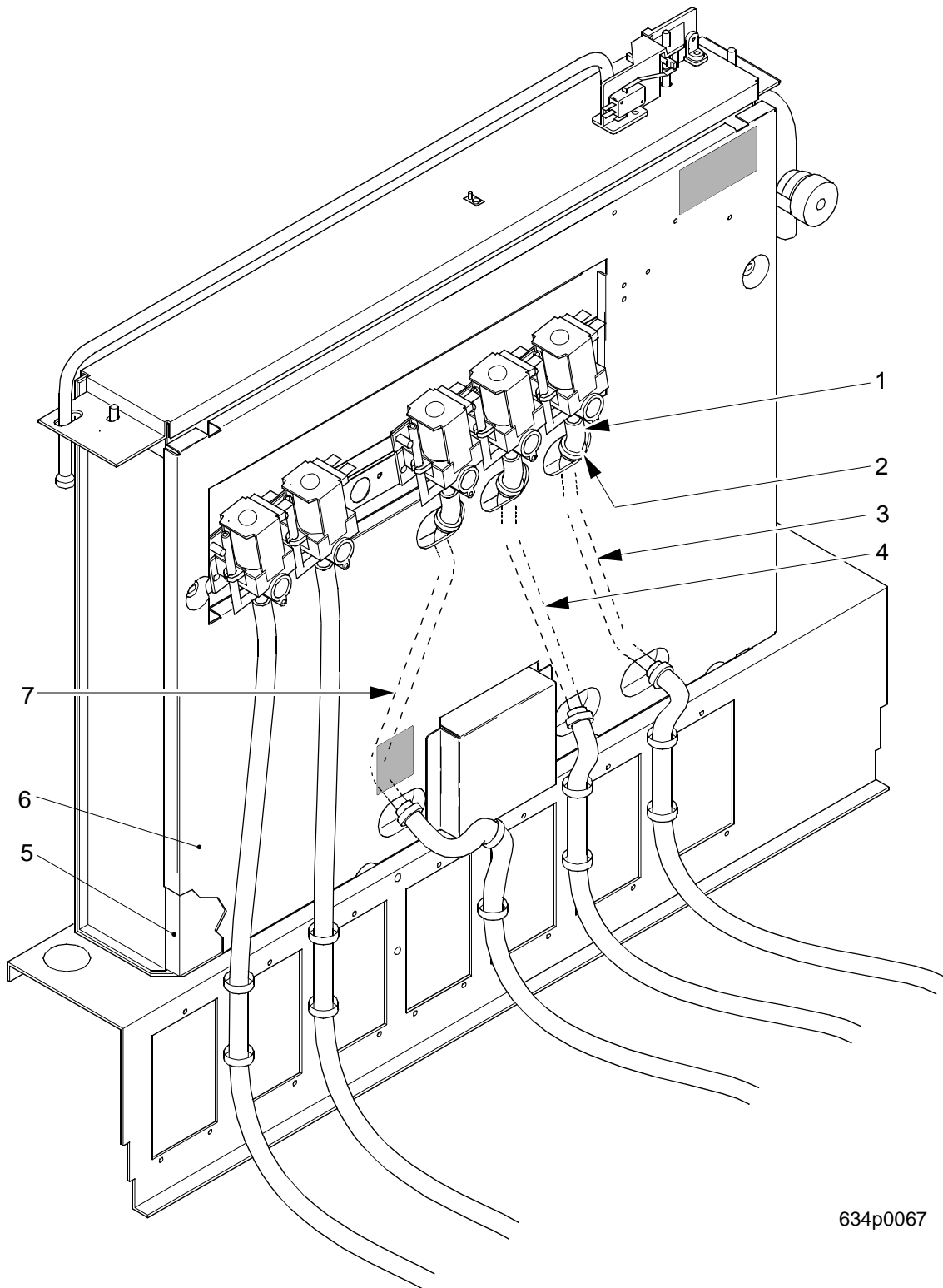


Figure 35. Hot Water Tank Assembly - Part 2 (Additional Components for Nestle Options)

EuroTwin Drink Center Parts Manual

TABLE 35. HOT WATER TANK ASSEMBLY - PART 2 (ADDITIONAL COMPONENTS FOR NESTLE OPTIONS)

| INDEX | PART NUMBER | DESCRIPTION | QTY |
|--------------|--------------------|--------------------------------|------------|
| 1 | 6367032 | TUBE-TOP-2.25"LG. | 3 |
| 2 | 6367031 | CLAMP-TUBE | 3 |
| 3 | 6367027 | TUBE-RIGHT-COVER-FRONT-NESTLE | 1 |
| 4 | 6367028 | TUBE-MIDDLE-COVER-FRONT-NESTLE | 1 |
| 5 | 6367025 | INSULATION-BOTTOM-H.W.T. | REF |
| 6 | 6367030 | COVER-FRONT-WATER TANK-NESTLE | REF |
| 7 | 6367029 | TUBE-LEFT-COVER-FRONT-NESTLE | 1 |

EuroTwin Drink Center Parts Manual

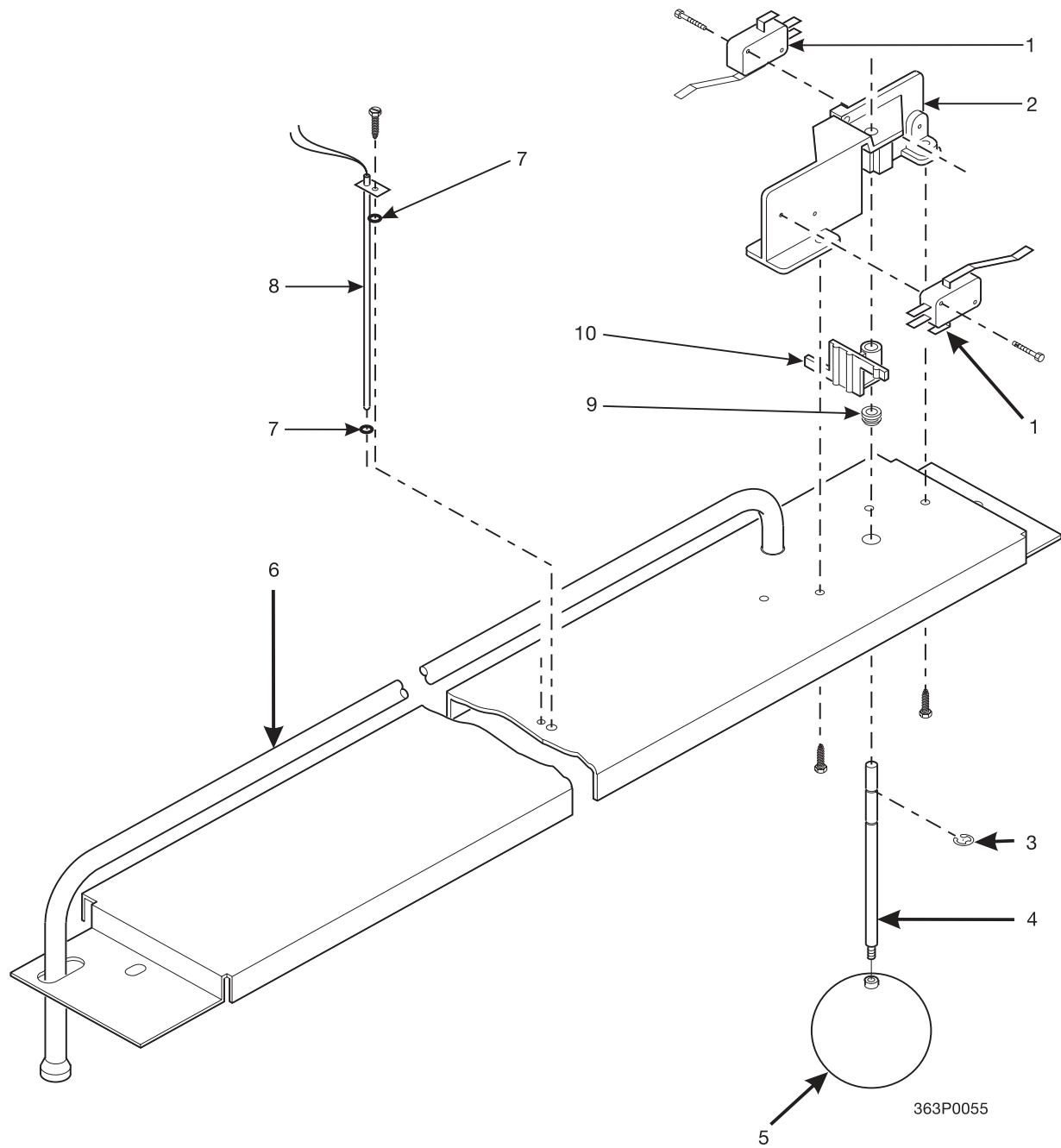


Figure 36. Water Tank Lid Assembly

EuroTwin Drink Center Parts Manual

TABLE 36. WATER TANK LID ASSEMBLY

| INDEX | PART NUMBER | DESCRIPTION | QTY |
|-------|-------------|--|-----|
| - | 6338046 | LID ASSEMBLY - FINAL - H.W.T. | - |
| 1 | 6238084 | SWITCH - LEVER - 10 GRAM | 2 |
| 2 | 6238068 | BRACKET - MOUNTING - SWITCH | 1 |
| 3 | 6124073 | RETAINING RING REINF. E TYP.156 | 1 |
| 4 | 6338049 | SHAFT - FLOAT | 1 |
| 5 | 6508033 | FLOAT - WATER TANK | 1 |
| 6 | 6338047 | WELD ASSEMBLY - COVER - LG. INLET - W.T. | 1 |
| 7 | 6138287 | O RING | 2 |
| 8 | 6338051 | SENSOR - TEMPERATURE - H.W.T. | 1 |
| 9 | 6338050 | BEARING - LID - HOT WATER TANK | 1 |
| 10 | 6138183 | ACTUATOR - SWITCH | 1 |

EuroTwin Drink Center Parts Manual

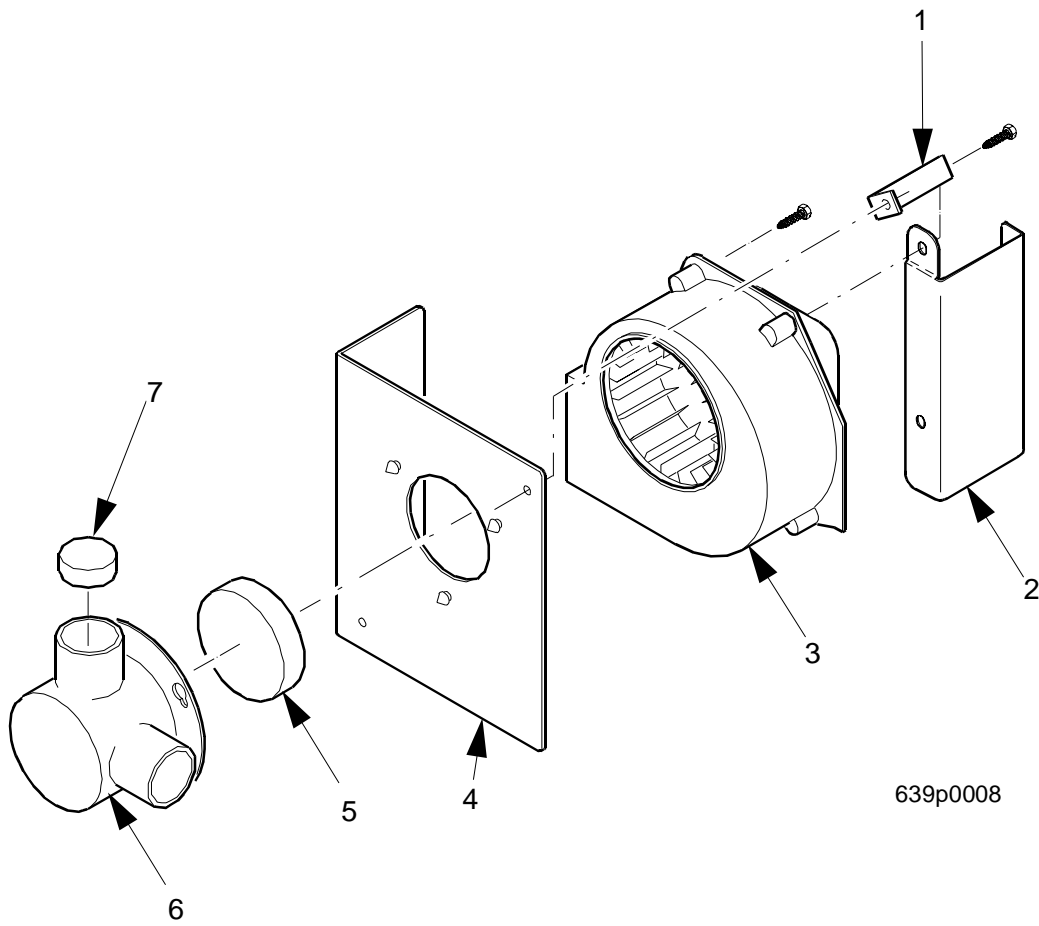


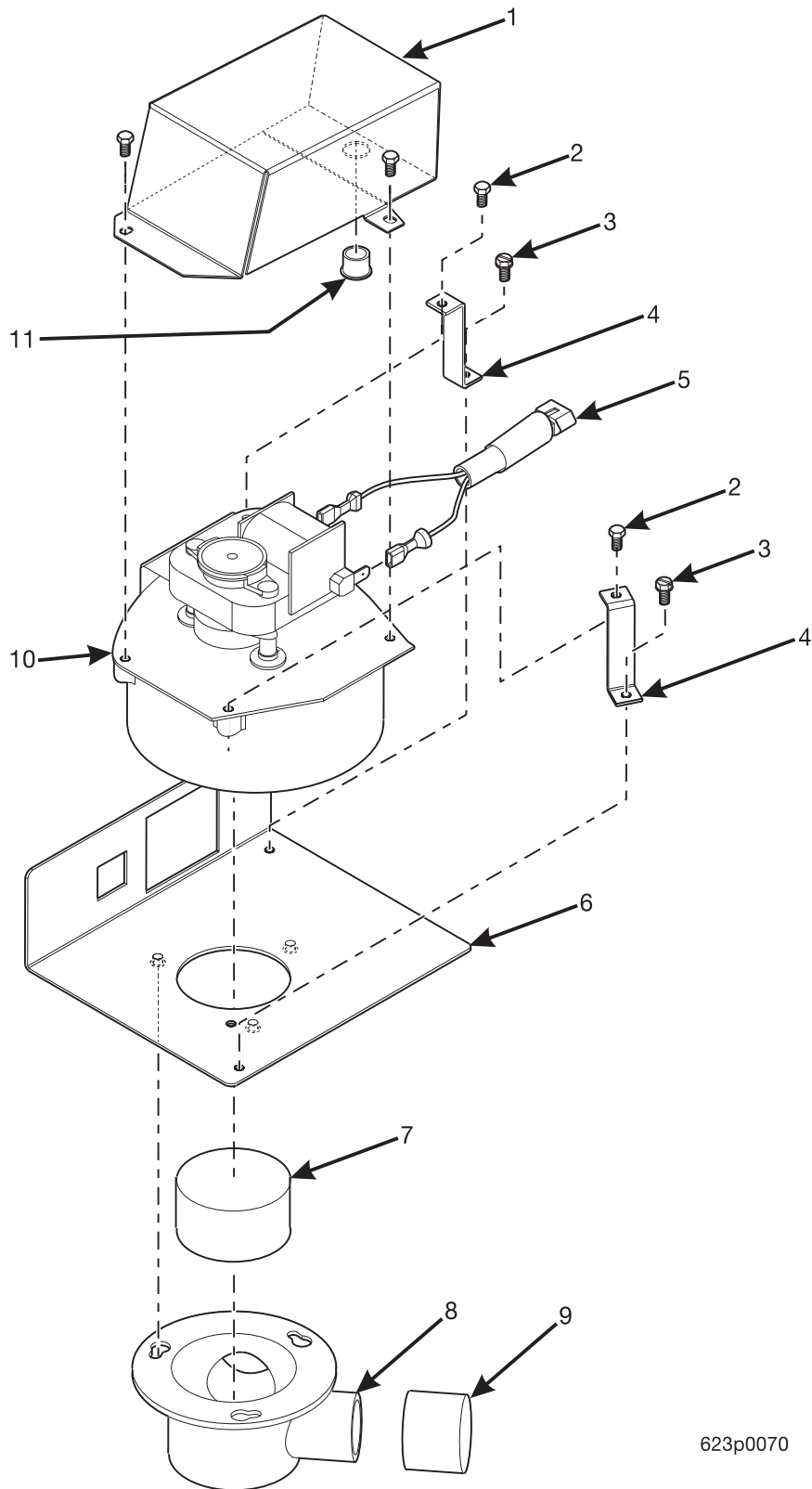
Figure 37. Bracket, Blower, and Cover Assembly - Fresh Brew

EuroTwin Drink Center Parts Manual

TABLE 37. BRACKET, BLOWER, AND COVER ASSEMBLY - FRESH BREW

| INDEX | PART NUMBER | DESCRIPTION | QTY. |
|--------------|--------------------|------------------------------------|-------------|
| - | 6391057 | BLOWER ASSEMBLY - CABINET | 1 |
| 1 | 6231553 | TIE DOWN - BLOWER ASSEMBLY | 2 |
| 2 | 6391020 | PLATE - COVER - BLOWER | 1 |
| 3 | 6331074 | BLOWER ASSEMBLY - 230V | 1 |
| 4 | 6231550 | BRACKET ASSEMBLY - BLOWER MOUNTING | 1 |
| 5 | 6237340 | FILTER - EXHAUST BLOWER | 1 |
| 6 | 6237342 | HOUSING - EXHAUST BLOWER | 1 |
| 7 | 6237305 | VINYL CAP - 1.25 I.D. (FREEZE DRY) | 1 |

EuroTwin Drink Center Parts Manual



623p0070

Figure 38. Bracket, Blower, and Cover Assembly - Freeze Dry

EuroTwin Drink Center Parts Manual

TABLE 38. BRACKET, BLOWER, AND COVER ASSEMBLY - FREEZE DRY

| INDEX | PART NUMBER | DESCRIPTION | QTY |
|-------|-------------|--|-----|
| - | 6331090 | BRACKET, BLOWER, AND COVER ASSEMBLY | OPT |
| 1 | 6231074 | GUARD - BLOWER MOTOR | 1 |
| 2 | 1437204 | SCREW - #8-10 X .38 HEX HD.TF | 2 |
| 3 | 1451097 | SCREW - #8-32 X .31 HEX HD.TF-BL | 2 |
| 4 | 6231553 | TIE DOWN - BLOWER ASSEMBLY | 2 |
| 5 | 9989676 | JUMPER - BLOWER | 1 |
| 6 | 6231550 | BRACKET ASSEMBLY - BLOWER MOUNTING | 1 |
| 7 | 6237340 | FILTER - EXHAUST BLOWER | 1 |
| 8 | 6237342 | HOUSING - EXHAUST BLOWER | 1 |
| 9 | 6237305 | VINYL CAP - 1.25 I.D (FREEZE DRY APPLICATIONS) | 1 |
| 10 | 6331074 | BLOWER ASSEMBLY - 230V | 1 |
| 11 | 3502097 | BUSHING #OCB-500 | 1 |

EuroTwin Drink Center Parts Manual

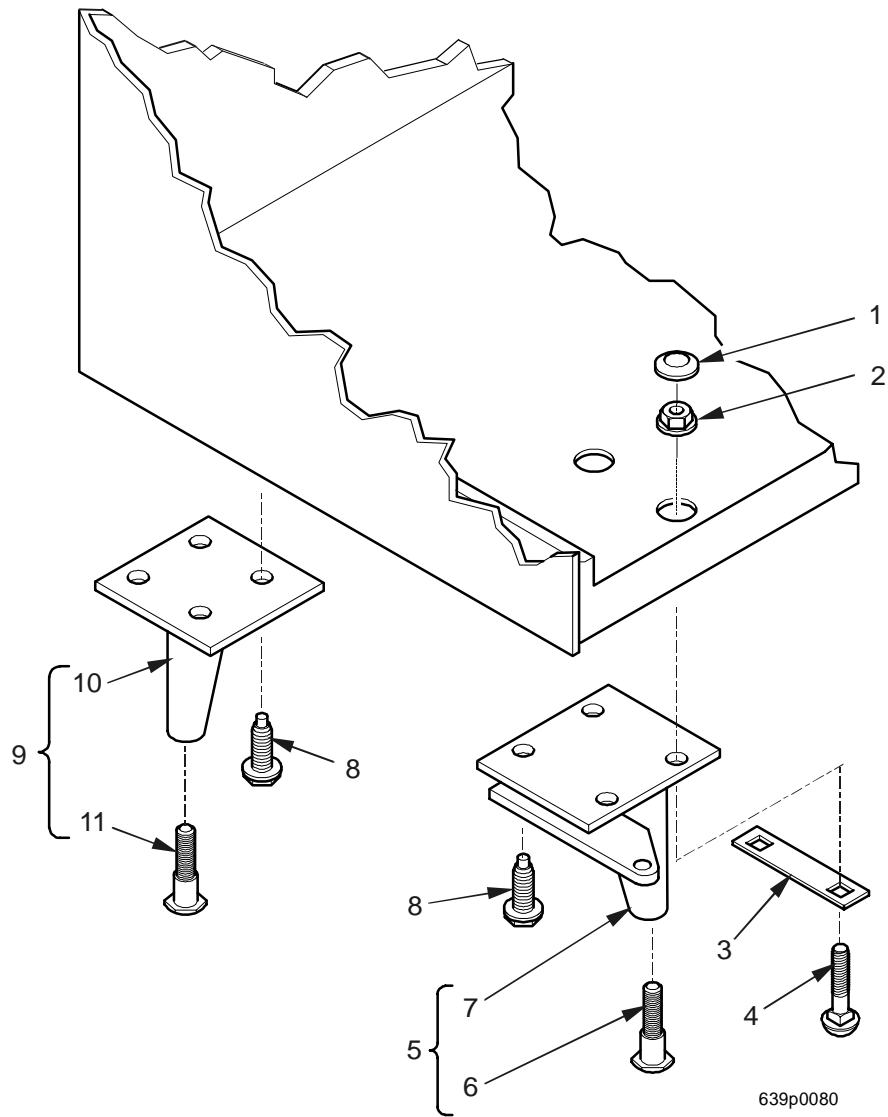


Figure 39. Leg, Leveler, and Leg and Hinge Assemblies

EuroTwin Drink Center Parts Manual

TABLE 39. LEG, LEVELER, AND LEG AND HINGE ASSEMBLIES

| INDEX | PART NUMBER | DESCRIPTION | QTY |
|--------------|--------------------|--|------------|
| 1 | 6231034 | PLUG - HOLE (NOT USED IN ALL APPLICATIONS) | 2 |
| 2 | 1172021 | NUT - 1/4-20 WHIZ-LOCK | 2 |
| 3 | 6231203 | PLATE - HINGE LEG BOLT | 1 |
| 4 | 1211112 | TRAY BOLT | 2 |
| 5 | 6231163 | LEG, HINGE, AND LEVELER ASSEMBLY | 1 |
| 6 | 1471098 | LEVELER - CABINET | 1 |
| 7 | 1571115 | LEG AND HINGE ASSEMBLY | 1 |
| 8 | 9900218 | SCREW - # 5/16 X 1 W/LOCKING RING | 14 |
| 9 | 1471237 | LEG AND LEVELER ASSEMBLY - CABINET | 3 |
| 10 | 1571127 | LEG ASSEMBLY - CABINET | 1 |
| 11 | 1471098 | LEVELER - CABINET | 1 |

EuroTwin Drink Center Parts Manual

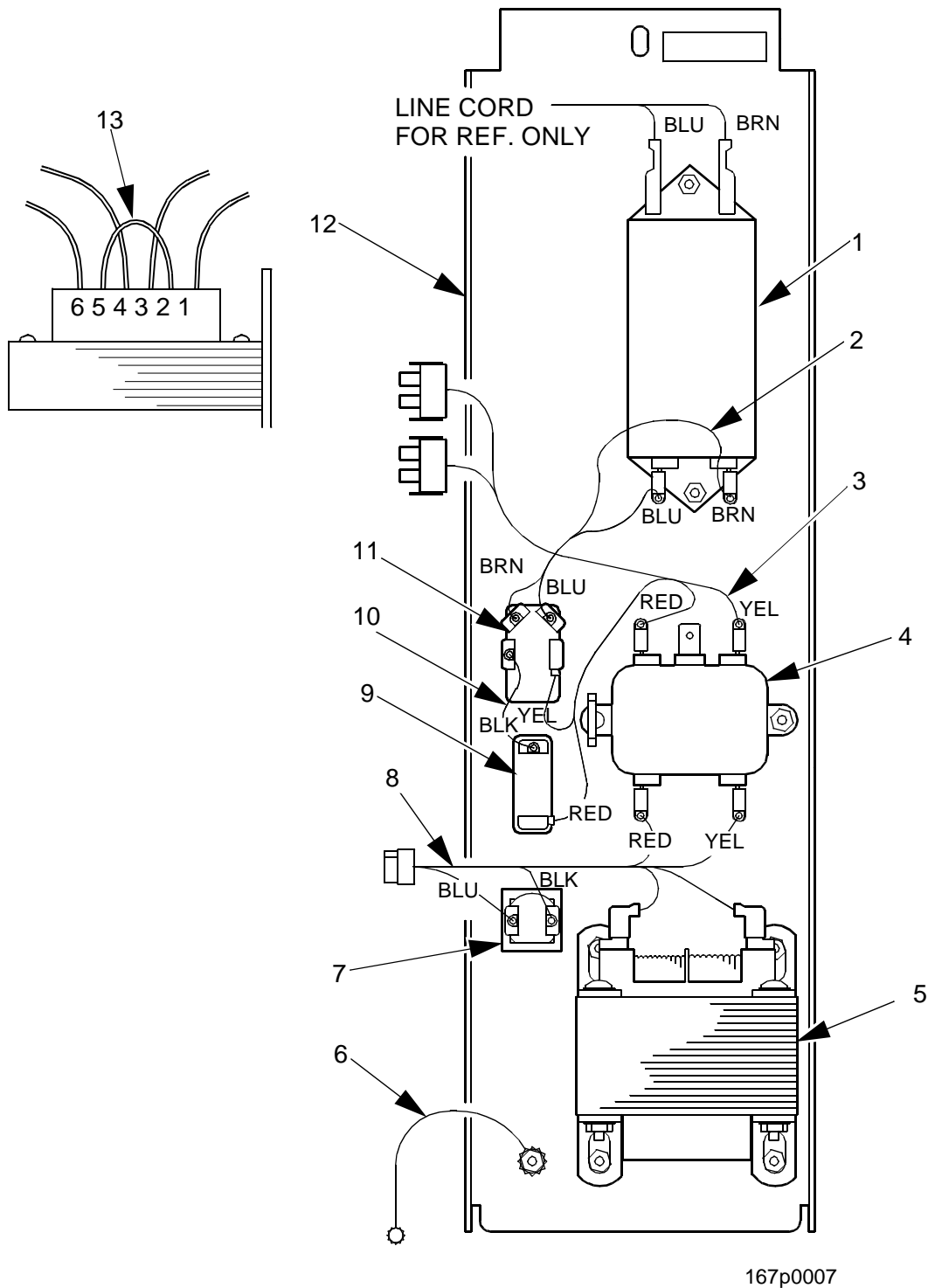


Figure 40. Power Panel Assembly - 230 V - UK

EuroTwin Drink Center Parts Manual

TABLE 40. POWER PANEL ASSEMBLY - 230 V - UK

| INDEX | PART NUMBER | DESCRIPTION | QTY |
|-------|-------------|-------------------------------|-----|
| - | 4521020 | POWER PANEL ASSY-U.K.-230V | - |
| 1 | 9989110 | MAIN LINE FILTER | 1 |
| 2 | 6849015 | JUMPER | 1 |
| 3 | 1709000 | HARNESS | 1 |
| 4 | 9989100 | E.M.I. FILTER | 1 |
| 5 | 9989046 | 24V XFMR-DUAL PIR.-.187 TERM. | 1 |
| 6 | 9984094 | GROUND WIRE | 1 |
| 7 | 9989674 | BREAKER - 4A | 1 |
| 8 | 1709001 | HARNESS | 1 |
| 9 | 9989672 | BREAKER-15A | 1 |
| 10 | 1709006 | JUMPER | 1 |
| 11 | 9984629 | SWTICH | 1 |
| 12 | 1701025 | PLATE-HOUSING-PANEL | 1 |
| 13 | 4279001 | JUMPER | 1 |

EuroTwin Drink Center Parts Manual

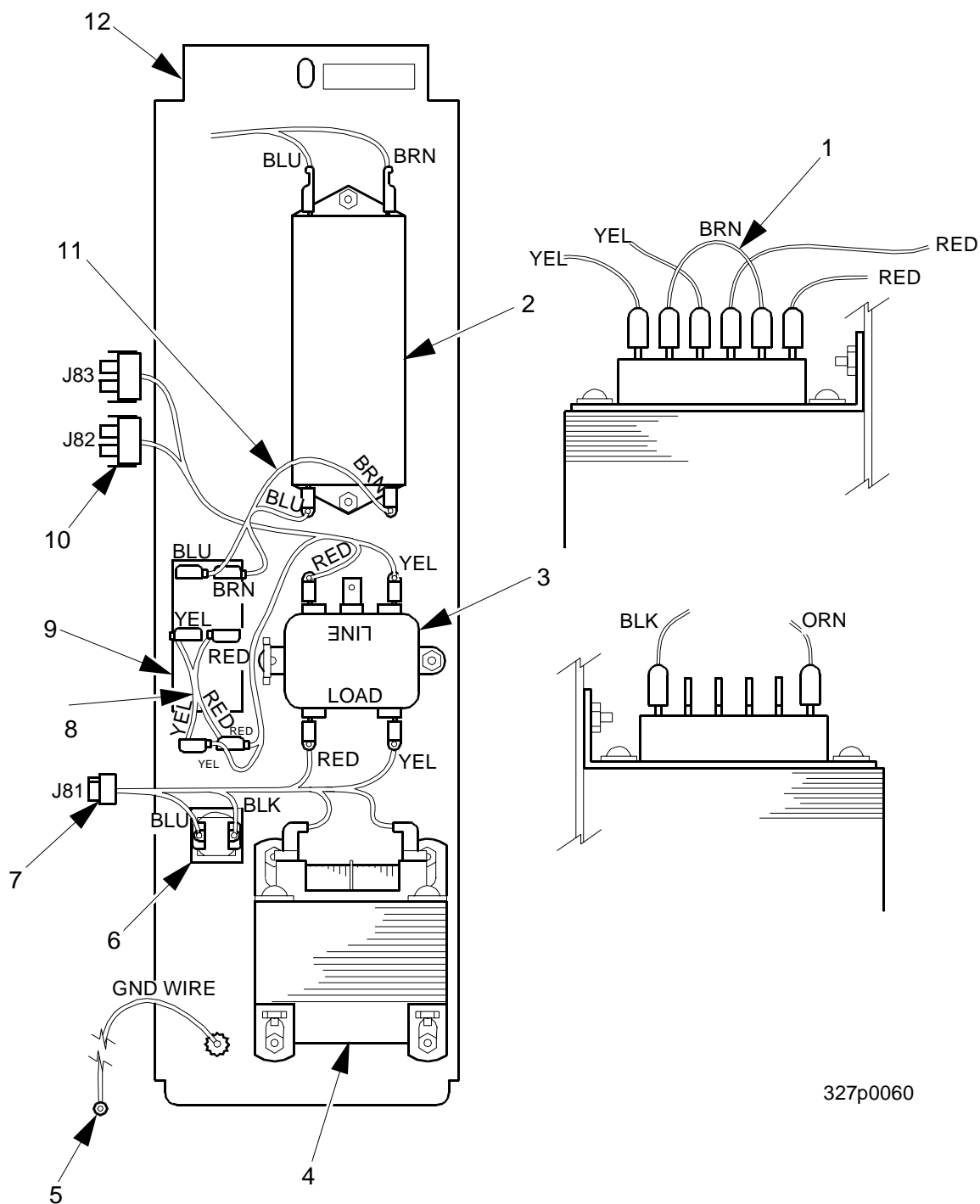


Figure 41. Power Panel Assembly - 230 V - Fr/Ger

EuroTwin Drink Center Parts Manual

TABLE 41. POWER PANEL ASSEMBLY - 230 V - FR/GER

| INDEX | PART NUMBER | DESCRIPTION | QTY |
|-------|-------------|------------------------------|-----|
| - | 4521041 | POWER PANEL ASSY-230V FR/GER | REF |
| 1 | 4279001 | JUMPER-230V-XFMR PRI | 1 |
| 2 | 9989110 | FILTER-POWER LINE-EMI | 1 |
| 3 | 9989100 | INTERFERENCE FILTER | 1 |
| 4 | 9989046 | 24V XFMR-DUAL PIR.-.187 TERM | 1 |
| 5 | 9984094 | WIRE-GROUND-14" | 1 |
| 6 | 9989674 | CIRCUIT BREAKER-4 AMP | 1 |
| 7 | 1709001 | JUMPER-TRANSFORMER-FOREIGN | 1 |
| 8 | 4529002 | JUMPER-FRENCH/GERMAN SWITCH | 1 |
| 9 | 9984627 | CIRCUIT BREAKER/SWITCH-16 AM | 1 |
| 10 | 1709000 | HARNESS-POWER PANEL-FOREIGN | 1 |
| 11 | 6849015 | JUMPER-POWER SW | 1 |
| 12 | 4521036 | PLATE-HOUSING-PANEL-FR/GER. | 1 |

EuroTwin Drink Center Parts Manual

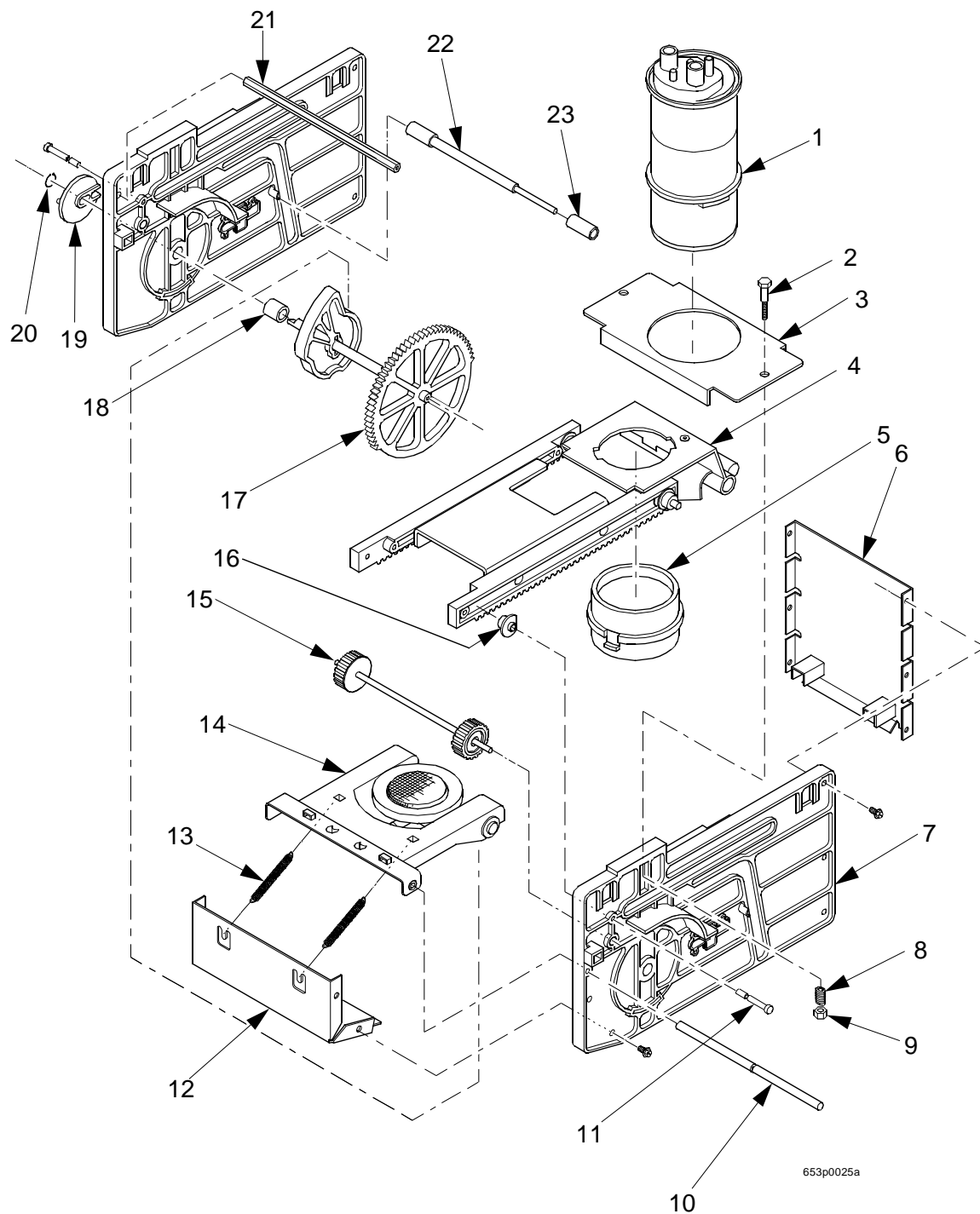


Figure 42. Single Brewer Assembly (No Filter)

EuroTwin Drink Center Parts Manual

TABLE 42. SINGLE BREWER ASSEMBLY (NO FILTER)

| INDEX | PART NUMBER | DESCRIPTION | QTY |
|-------|-------------|--------------------------------------|-----|
| 1 | 6234328 | BARREL ASSEMBLY - BREWER (FIGURE 45) | REF |
| 2 | 6234288 | BOLT - 1/4-20 X 1 1/2 | 1 |
| 3 | 6234301 | BARREL SUPPORT - BREWER | 1 |
| 4 | 6234001 | RACK ASSEMBLY (FIGURE 46) | 2 |
| 5 | 6234104 | BASKET - BREWER | 1 |
| 6 | 6234215 | WALL ASSEMBLY - REAR | 1 |
| 7 | 6234273 | SIDEWALL - BREWER | 2 |
| 8 | 6234225 | SPRING - BREWER | 2 |
| 9 | 6234289 | LOCKNUT - #1/4-20 | 2 |
| 10 | 6234308 | SHAFT - SWING ARM | 1 |
| 11 | 6234223 | PIN-ROLLER - SIDEWALL | 2 |
| 12 | 6234220 | WALL ASSEMBLY - BOTTOM - FRONT | 1 |
| 13 | 6234205 | SPRING | 2 |
| 14 | 6234200 | SWING ARM ASSEMBLY (FIGURE 44) | 1 |
| 15 | 6234007 | PINION GEAR ASSEMBLY | 1 |
| 16 | 6234222 | ROLLER - BREWER | 2 |
| 17 | 6234008 | GEAR & CAM ASSEMBLY | 1 |
| 18 | 6234803 | SPACER - CAM | 1 |
| 19 | 6234310 | DRIVE CONNECTION - BREWER | 1 |
| 20 | 6234303 | RETAINING RING - .375 DIA | 1 |
| 21 | 6234293 | SPACER - SINGLE BREWER | 1 |
| 22 | 6234271 | SHAFT - FLIP STOP | 1 |
| 23 | 6234270 | ROLLER - STOP | 2 |

EuroTwin Drink Center Parts Manual

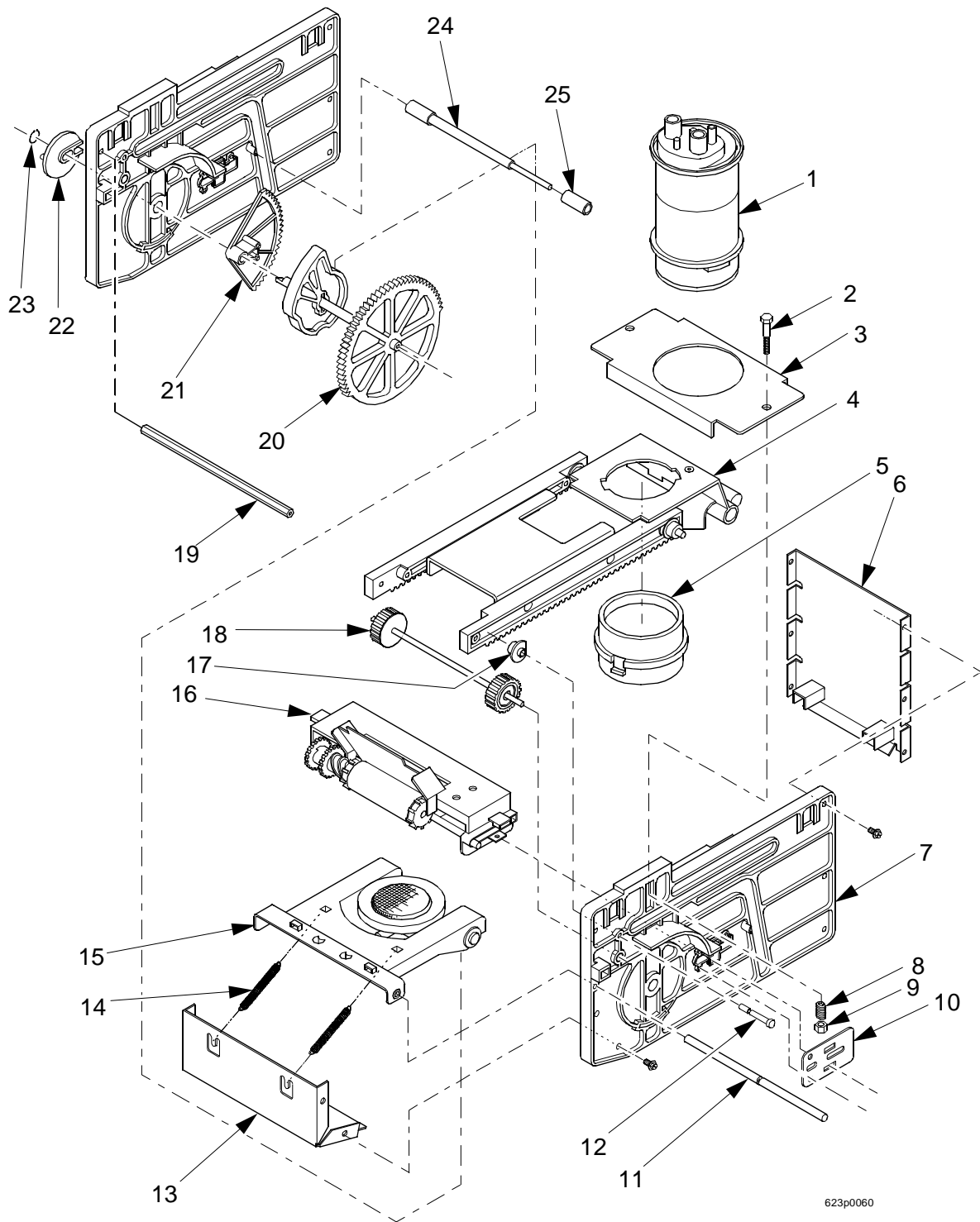


Figure 43. Single Brewer Assembly (With Filter)

EuroTwin Drink Center Parts Manual

TABLE 43. SINGLE BREWER ASSEMBLY (WITH FILTER)

| INDEX | PART NUMBER | DESCRIPTION | QTY |
|-------|-------------|--------------------------------------|------|
| - | 6234000 | SINGLE BREWER ASSEMBLY - WITH FILTER | REF. |
| 1 | 6234328 | BARREL ASSEMBLY - BREWER (FIGURE 45) | 1 |
| 2 | 6234288 | BOLT - 1/4-20 1 1/2 | 2 |
| 3 | 6234301 | BARREL SUPPORT - BREWER | 1 |
| 4 | 6234001 | RACK ASSEMBLY - BREWER (FIGURE 46) | 1 |
| 4 | 6234273 | SIDEWALL - BREWER | 2 |
| 5 | 6234297 | BASKET - BREWER PAPER | 1 |
| 6 | 6234215 | WALL ASSEMBLY - REAR | 1 |
| 8 | 6234225 | SPRING - BREWER | 2 |
| 9 | 6234289 | LOCKNUT - #1/4-20 | 2 |
| 10 | 6234608 | SPRING COVER - PAPER MECH | 2 |
| 11 | 6234308 | SHAFT - SWING ARM | 1 |
| 12 | 6234223 | PIN - ROLLER - SIDEWALL | 2 |
| 13 | 6234220 | WALL ASSEMBLY - BOTTOM FRONT | 1 |
| 14 | 6234205 | SPRING | 1 |
| 15 | 6234200 | SWING ARM ASSEMBLY (FIGURE 44) | 1 |
| 16 | 6234600 | PAPER MECHANISM ASSEMBLY (FIGURE 48) | 1 |
| 17 | 6234222 | ROLLER - BREWER | 2 |
| 18 | 6234007 | PINION GEAR ASSEMBLY | 1 |
| 19 | 6234293 | SPACER - SINGLE BREW | 1 |
| 20 | 6234008 | GEAR & CAM ASSEMBLY | 1 |
| 21 | 6234601 | RATCHET DRIVE - PAPER MECH. | 1 |
| 22 | 6234310 | DRIVE CONNECTION - BREWER | 1 |
| 23 | 6234303 | RETAINING RING - .375 | 1 |
| 24 | 6234271 | SHAFT - FLIP STOP | 1 |
| 25 | 6234270 | ROLLER - STOP | 2 |

EuroTwin Drink Center Parts Manual

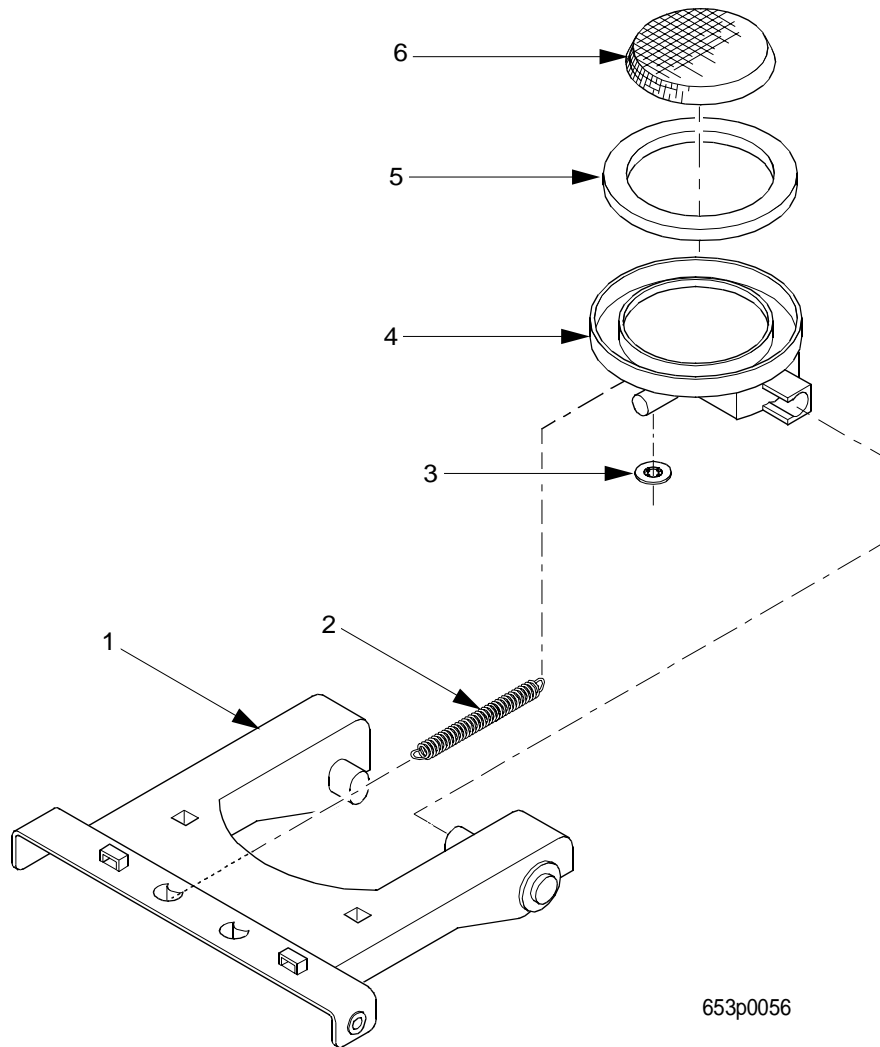


Figure 44. Swing Arm Assembly - Detail

EuroTwin Drink Center Parts Manual

TABLE 44. SWING ARM ASSEMBLY - DETAIL

| INDEX | PART NUMBER | DESCRIPTION | QTY |
|--------------|--------------------|------------------------------|------------|
| 1 | 6234002 | SWING ARM ASSEMBLY | 1 |
| 2 | 6234205 | EXT. SPRING-#E0240-026-1500- | 2 |
| 3 | 6234243 | SHAFT-RETAINER-.125 DIA | 2 |
| 4 | 6234240 | FUNNEL-COFFEE | 1 |
| 5 | 6234375 | SEAL-BREWER | 1 |
| 6 | 6334019 | FILTER SUPPORT-30 MESH | 1 |

EuroTwin Drink Center Parts Manual

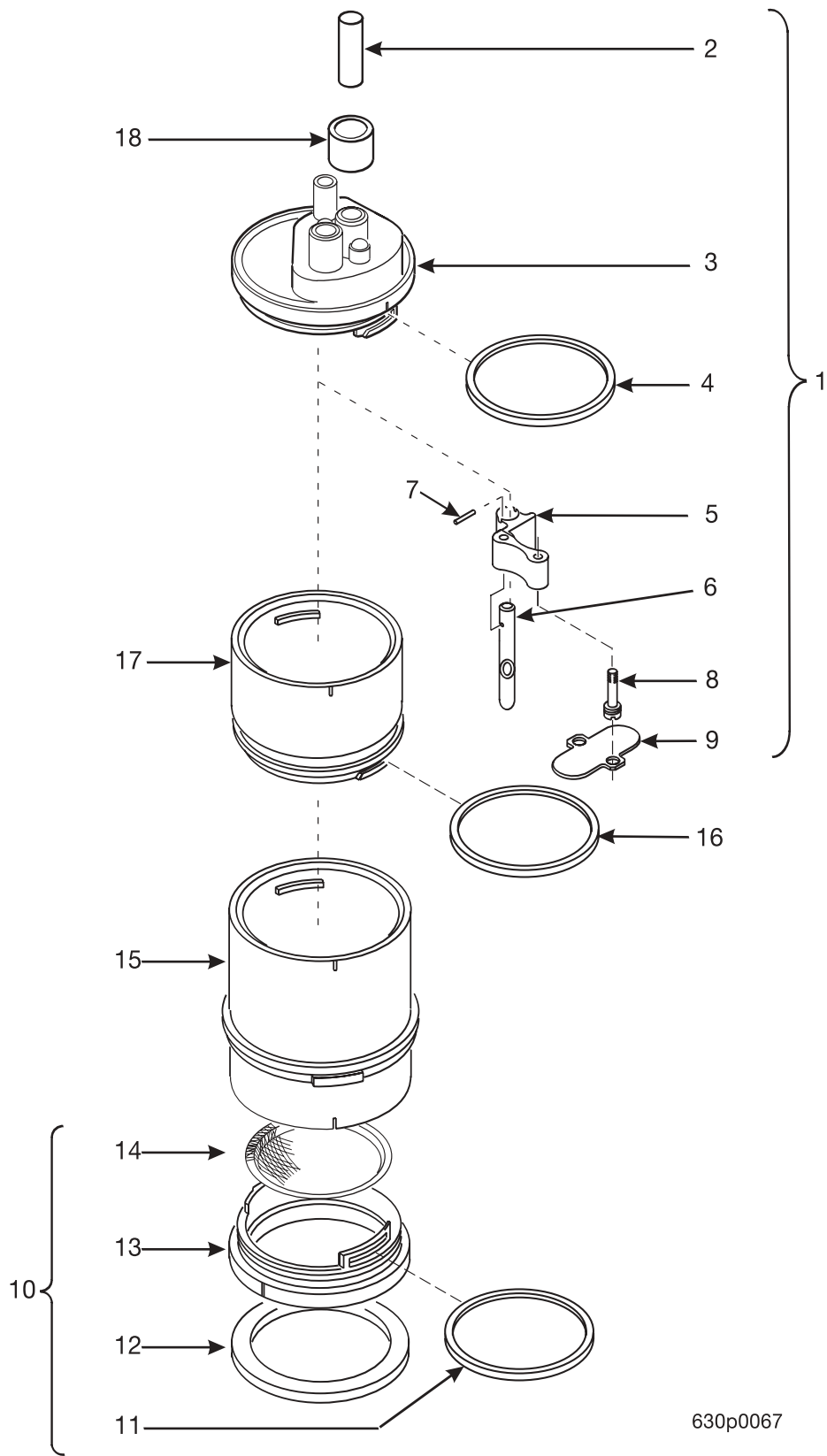


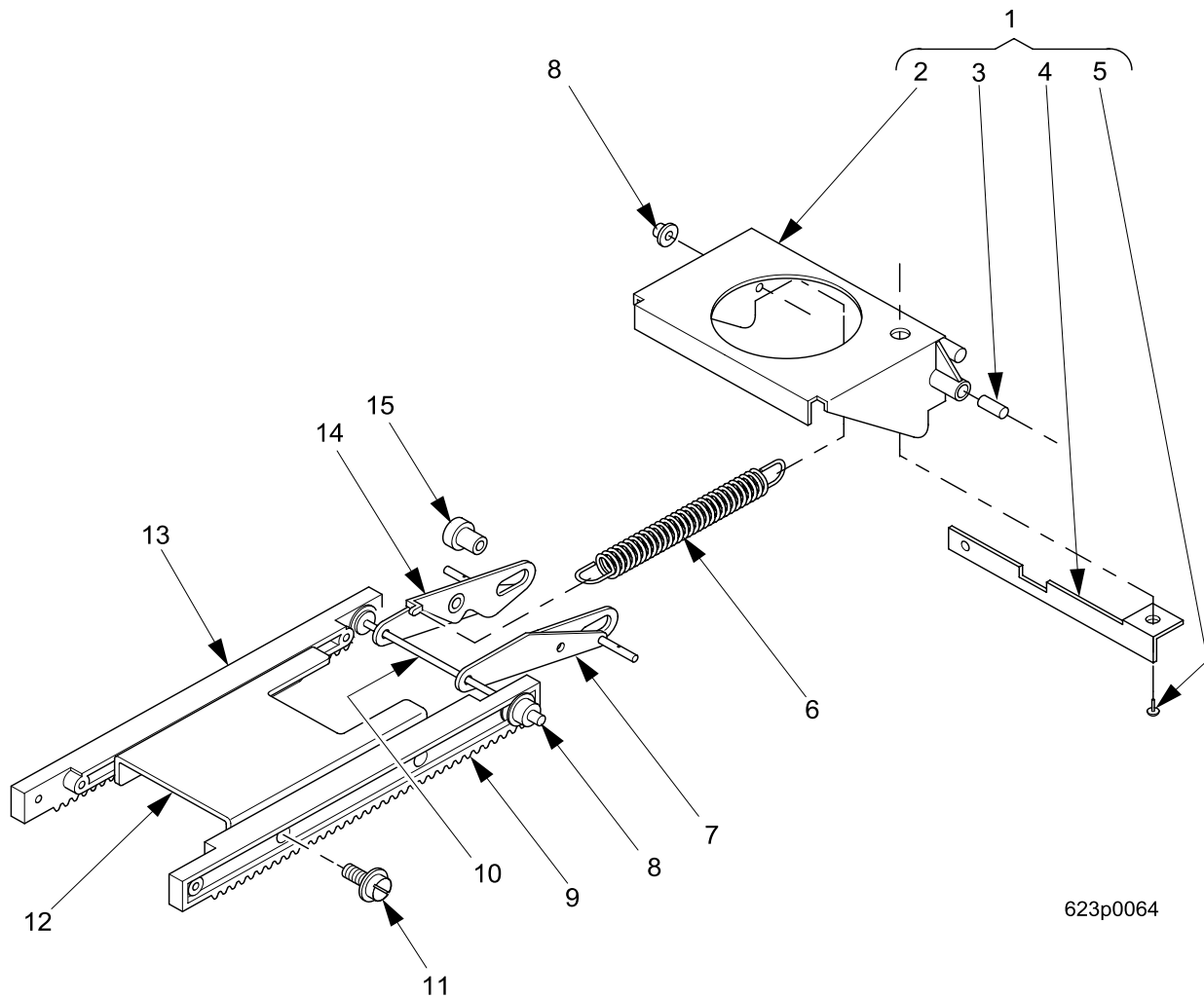
Figure 45. Barrel Assembly - Single Brewer

EuroTwin Drink Center Parts Manual

TABLE 45. BARREL ASSEMBLY - SINGLE BREWER

| INDEX | PART NUMBER | DESCRIPTION | QTY |
|-------|-------------|--|-----|
| - | 6234328 | BARREL ASSEMBLY - SINGLE BREWER | REF |
| 1 | 6134152 | MANIFOLD ASSEMBLY - HOSE-BREW BARREL (INCLUDES INDEX NUMBERS 2 THROUGH 9) | 1 |
| 2 | 6134192 | PLUG BREWER MANIFOLD | 1 |
| 3 | 6134178 | MANIFOLD & INSERT ASSEMBLY - BREWER | 1 |
| 4 | 6104193 | QUAD RING SEAL | 1 |
| 5 | 6204229 | DEFLECTOR - MANIFOLD | 1 |
| 6 | 6134197 | TUBE - AIR JET | 1 |
| 7 | 6106107 | ROLL PIN | 1 |
| 8 | 6134173 | SHOULDER SCREW | 2 |
| 9 | 6134155 | VALVE - MANIFOLD - BREWER BARREL | 1 |
| 10 | 6234305 | LOWER INSERT ASSEMBLY - BREWER BARREL (INCLUDES INDEX NUMBERS 11 THROUGH 14) | 1 |
| 11 | 6104193 | QUAD RING SEAL | 1 |
| 12 | 6234375 | SEAL - BREWER | 1 |
| 13 | 6104181 | LOWER INSERT BREWER BARREL | 1 |
| 14 | 6234302 | SCREEN - BREWER BARREL | 1 |
| 15 | 6104184 | BREWER BARREL | 1 |
| 16 | 6104193 | QUAD RING SEAL | 1 |
| 17 | 6234213 | EXTENTION - BREWER BARREL | 1 |
| 18 | 6234207 | TUBE - .375 ID X .562 OD X .75 L | 1 |

EuroTwin Drink Center Parts Manual



623p0064

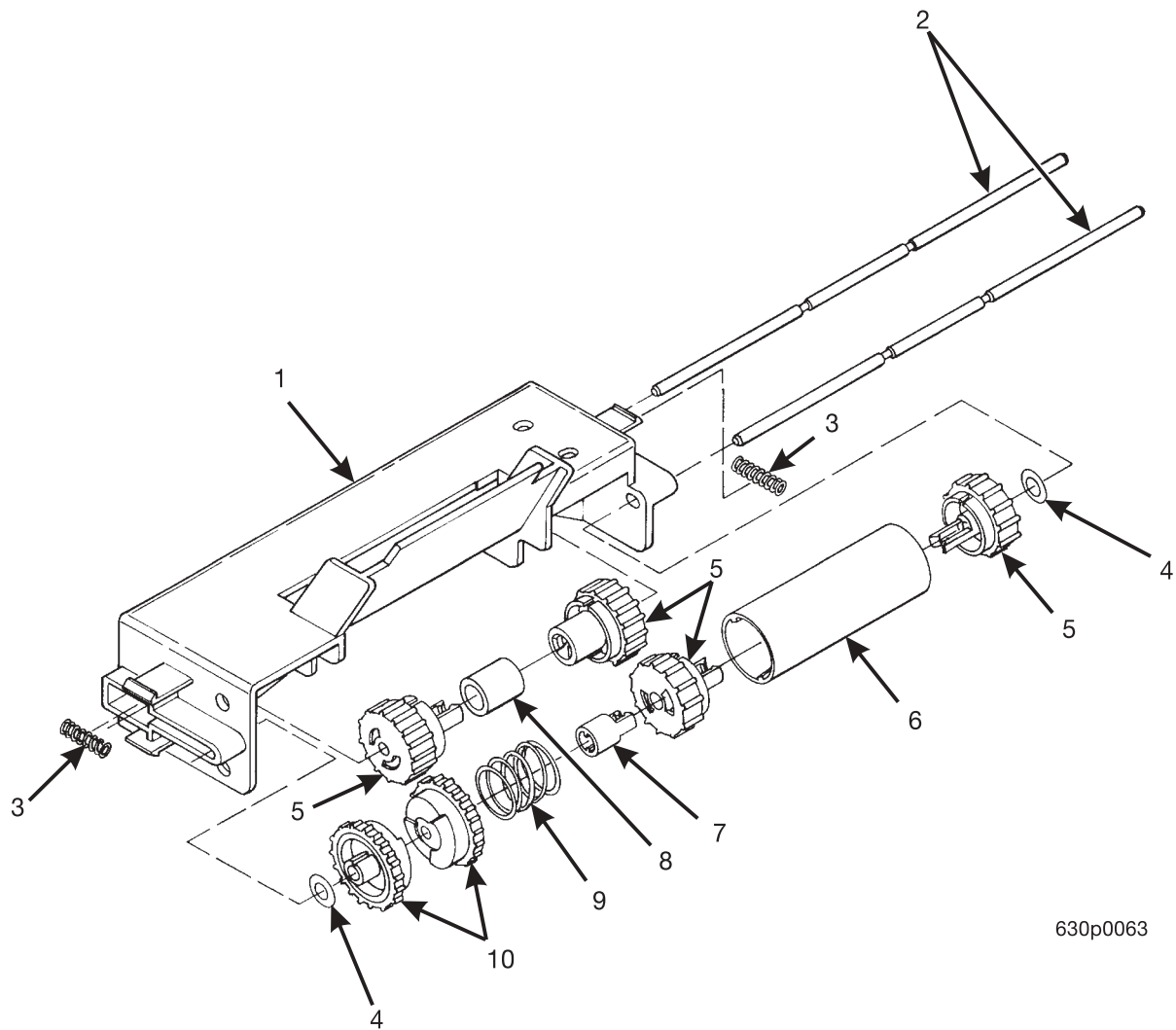
Figure 46. Rack Assembly - Single Brewer

EuroTwin Drink Center Parts Manual

TABLE 47. RACK ASSEMBLY - SINGLE BREWER

| INDEX | PART NUMBER | DESCRIPTION | QTY |
|-------|-------------|--|-----|
| - | 6234001 | RACK ASSEMBLY - BREWER | REF |
| 1 | 6234222 | ROLLER - BREWER | 4 |
| 2 | 6234116 | BASKET HOUSING ASSEMBLY (INCLUDES INDEX NUMBERS 3 THROUGH 6) | 1 |
| 3 | 6234250 | BASKET HOUSING & WIPER ASSEMBLY | 1 |
| 4 | 6234278 | BEARING - RETURN LEVER ROLLER | 2 |
| 5 | 6234118 | FLAT SPRING - BASKET HOUSING | 1 |
| 6 | 6204211 | SCREW - #6-32 X 1/4 PHS T/C SS | 1 |
| 7 | 6234256 | SPRING - FLIP | 2 |
| 8 | 6234261 | ROLLER LINKAGE ASSEMBLY - RIGHT | 1 |
| 9 | 6234275 | RACK ASSEMBLY - RIGHT - BREWER | 1 |
| 10 | 6234110 | SHAFT - FLIP | 1 |
| 11 | 6234295 | SCREW - #8-32 X .38 HHS W/LW | 4 |
| 12 | 6234120 | BRACKER ASSEMBLY - RACK | 1 |
| 13 | 6234274 | RACK ASSEMBLY - LEFT - BREWER | 1 |
| 14 | 6234260 | ROLLER LINKAGE ASSEMBLY - LEFT | 1 |
| 15 | 6234292 | RETURN LEVER ROLLER ASSEMBLY | 2 |

EuroTwin Drink Center Parts Manual



630p0063

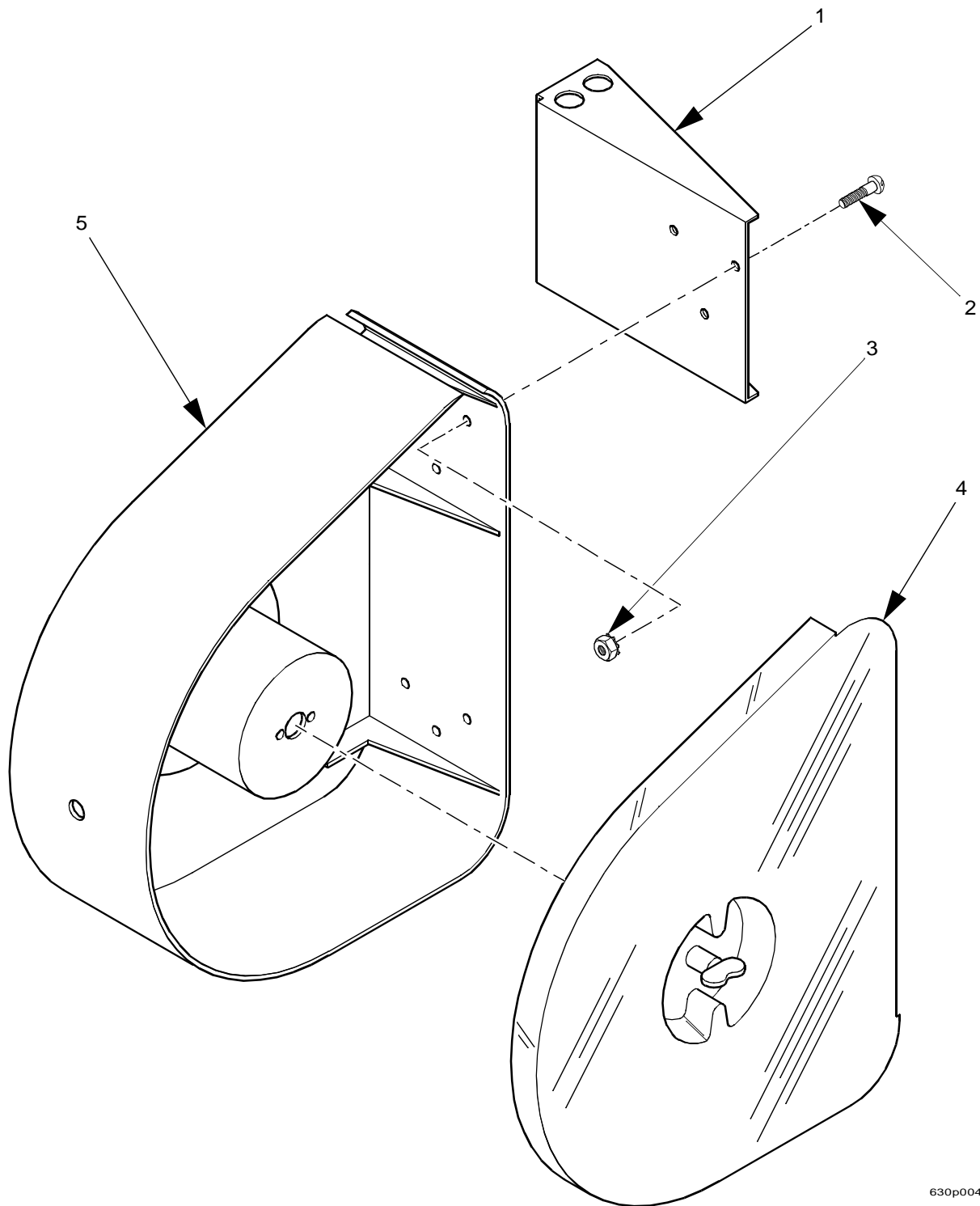
Figure 48. Paper Mechanism Assembly - Single Brewer

EuroTwin Drink Center Parts Manual

TABLE 48. PAPER MECHANISM ASSEMBLY - SINGLE BREWER

| INDEX | PART NUMBER | DESCRIPTION | QTY |
|-------|-------------|---|-----|
| - | 6234600 | PAPER MECHANISM ASSEMBLY - SINGLE BREWER | REF |
| 1 | 6234626 | PAPER MECH. HOUSING | 1 |
| 2 | 6234612 | SHAFT - PAPER MECH. | 2 |
| 3 | 6234614 | COMPRESSION SPRING - PAPER MECH SHAFT (NOT PART OF ASSEMBLY - ORDER SEPARATELY) | 2 |
| 4 | 6234628 | WASHER-PAPER MECH. | 2 |
| 5 | 6234620 | ROLLER END CAP - PAPER MECH | 4 |
| 6 | 6234619 | PAPER ROLLER EXTRUSION | 1 |
| 7 | 6234603 | ROLLER DRIVE - PAPER MECH | 1 |
| 8 | 6234634 | TUBE-6108089 - .50 LG. | 2 |
| 9 | 6234615 | SPRING - PAPER MECH RATCHET | 1 |
| 10 | 6234607 | RATCHET - PAPER MECH. | 2 |

EuroTwin Drink Center Parts Manual



630p0043

Figure 49. Filter Paper Housing and Cover

EuroTwin Drink Center Parts Manual

TABLE 49. FILTER PAPER HOUSING AND COVER

| INDEX | PART NUMBER | DESCRIPTION | QTY |
|--------------|--------------------|---|------------|
| - | 6234622 | PAPER ROLL ASSEMBLY (INCLUDES INDEX NUMBER 1, 2, 3, 5, AND 6) | 1 |
| 1 | 6234625 | BRACKER - PAPER ROLL | 1 |
| 2 | 9900020 | SCREW - #8-32 X 1/2 RHS MACH. ZINC | 3 |
| 3 | 9900081 | NUT - #8-32 KEPS ZINC PLATE | 3 |
| 4 | 6154238 | COUVER ASSEMBLY - FILTER PAPER HOUSING | 1 |
| 5 | 6234630 | HOUSING ASSEMBLY - FILTER PAPER | 1 |
| 6 | 6134234 | RECEP 1/4 TURN #82-35-302-15 (NOT SHOWN) | 1 |
| - | P6104459 | FILTER PAPER PACKAGE ASSEMBLY | * |

EuroTwin Drink Center Parts Manual

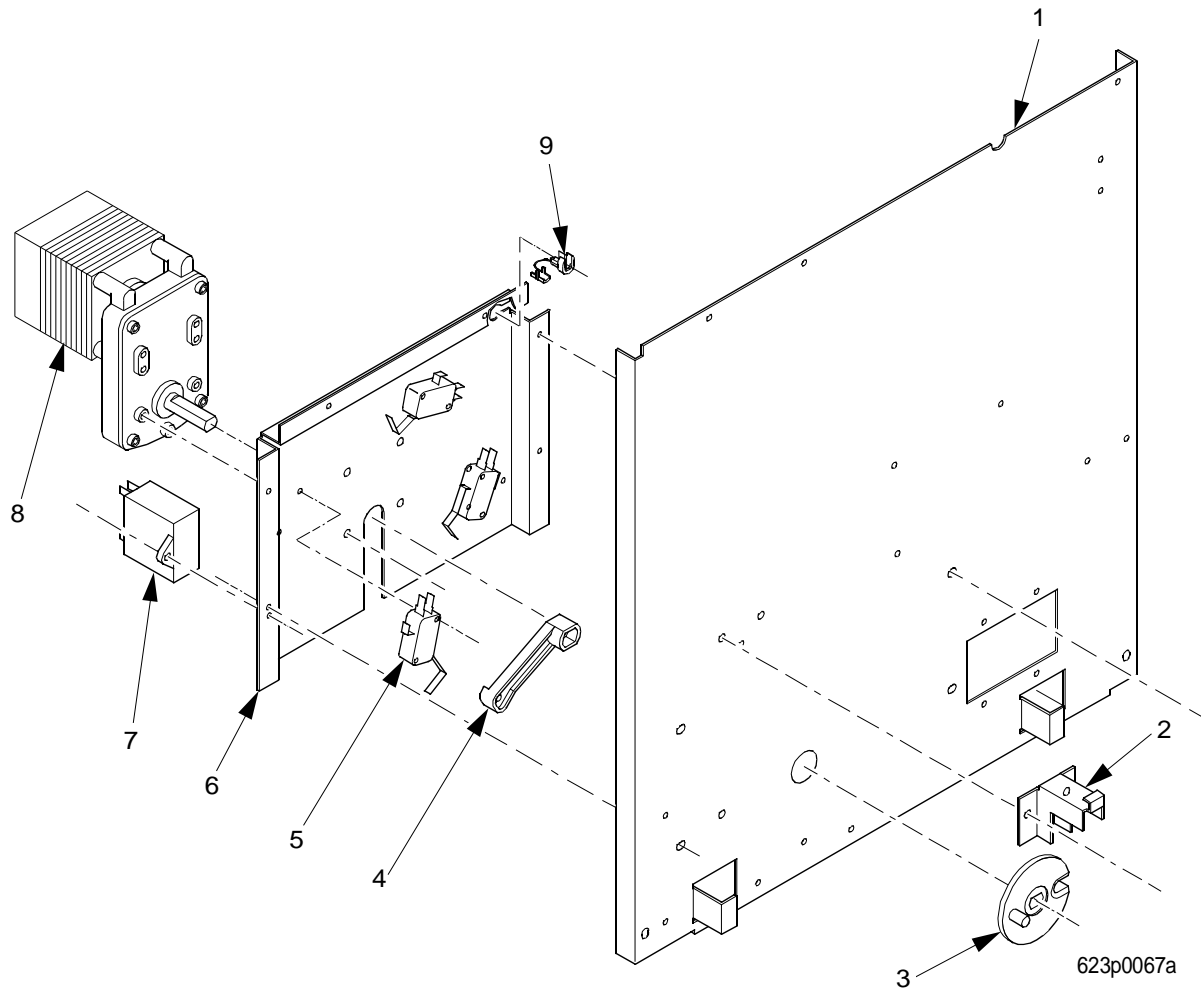


Figure 50. Brewer Drive Assembly

EuroTwin Drink Center Parts Manual

TABLE 50. BREWER DRIVE ASSEMBLY

| INDEX | PART NUMBER | DESCRIPTION | QTY |
|-------|-------------|--|-----|
| - | 6334002 | BREWER DRIVE ASSEMBLY - SINGLE - 230 V | 1 |
| 1 | 6234510 | PANEL MOUNTING - BREWER | 1 |
| 2 | 6234294 | MOUNTING BRACKET - BREWER | 2 |
| 3 | 6234310 | DRIVE CONNECTION - BREWER | 1 |
| 4 | 6234515 | SWITCH - ACTUATOR | 1 |
| 5 | 6234279 | SWITCH - BREWER | 3 |
| 6 | 6334018 | HOUSING - SWITCHES AND BREWER MOTOR | 1 |
| 7 | 9988209 | CAPACITOR - MOTOR RUN - 4.5 μ F (230V) | 1 |
| 8 | 6334011 | MOTOR - BREWER - 230V | 1 |
| 9 | 9985887 | BUSHING - STRAIN RELIEF | 1 |

EuroTwin Drink Center Parts Manual

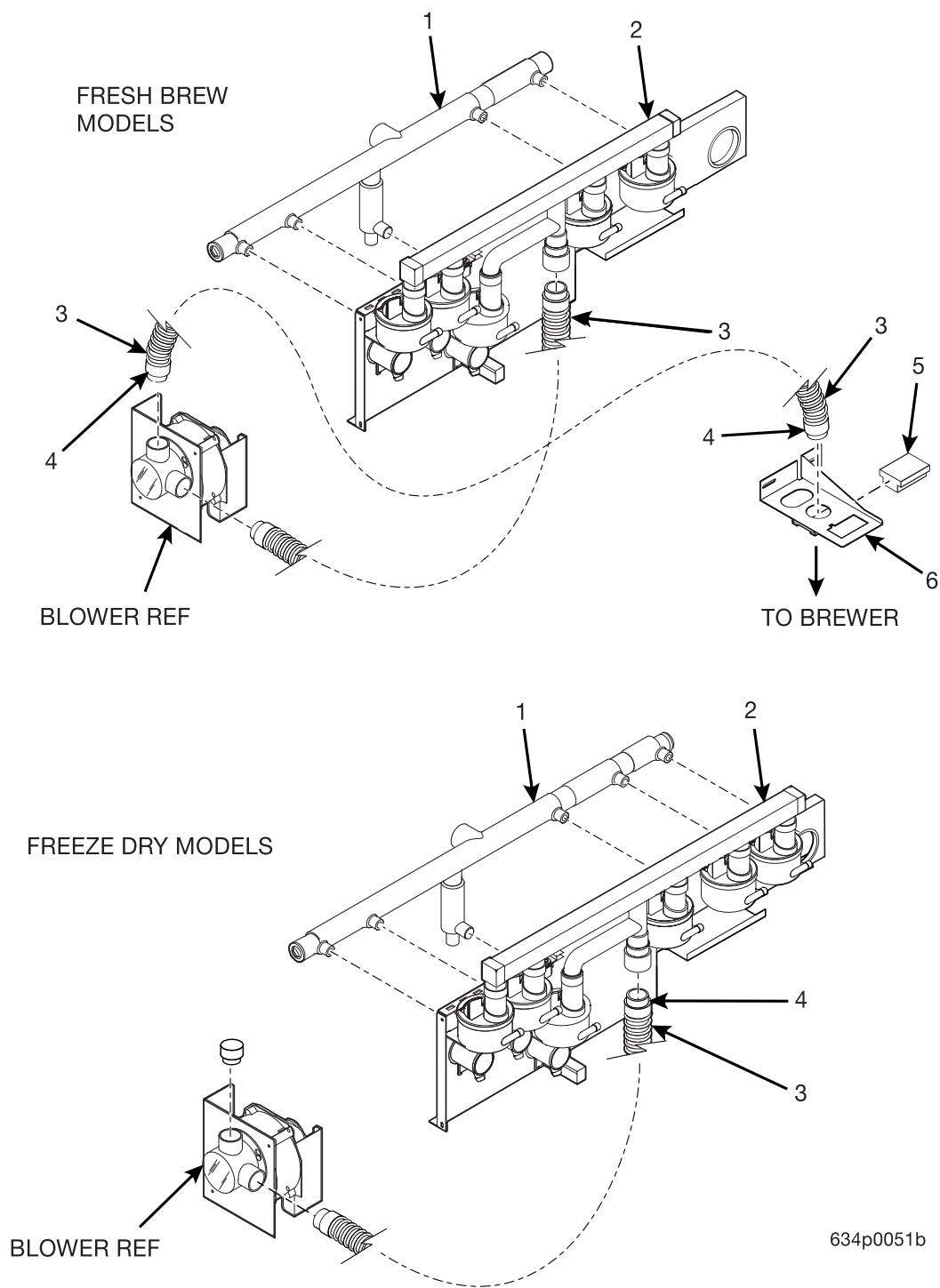


Figure 51. Mixing Bowl and Brewer Ventilation System

EuroTwin Drink Center Parts Manual

TABLE 51. MIXING BOWL AND BREWER VENTILATION SYSTEM

| INDEX | PART NUMBER | DESCRIPTION | QTY |
|--------------|--------------------|--|------------|
| 1 | - | REAR VENT ASSEMBLIES (FIGURE 54) | - |
| 2 | - | FRONT VENT ASSEMBLIES (FIGURES 52, 53) | - |
| 3 | 6237355 | HOSE - EXHAUST - 29.5 INCH LONG | 1 |
| 4 | 6137157 | COUPLING - VENT HOSE (USE WITH INDEX NUMBER 3) | 1 |
| 5 | 6237353 | FILTER - EXHAUST CHUTE | 1 |
| 6 | 6237352 | LOCATOR AND BRACKET ASSY - SINGLE BREWER | 1 |

EuroTwin Drink Center Parts Manual

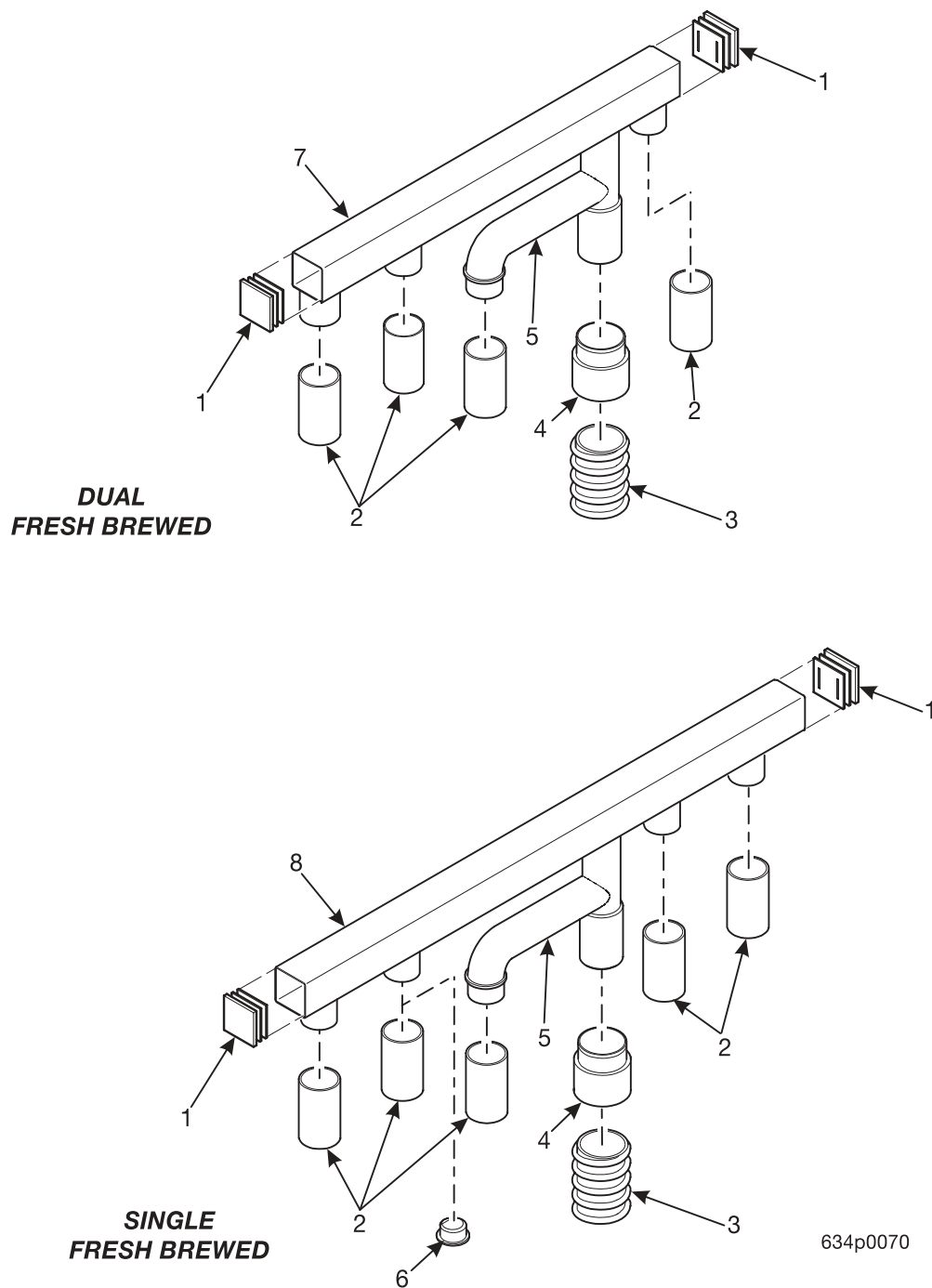


Figure 52. Front Vent Assemblies - Fresh Brew

EuroTwin Drink Center Parts Manual

TABLE 52. FRONT VENT ASSEMBLIES - FRESH BREW

| INDEX | PART NUMBER | DESCRIPTION |
|-------|-------------|---|
| 1 | 6337082 | CAP - END VENT |
| 2 | 6337049 | TUBE - EXTENSION - SILICONE |
| 3 | 6237337 | HOSE - EXHAUST - 18" LONG |
| 4 | 6137157 | COUPLING - VENT HOSE |
| 5 | 6337044 | VENT - SUGAR/LIGHTENER ADAPTOR |
| 6 | 6237301 | PLUG - CENTER PULL - .93 (USE WITH DUAL CONDIMENT ONLY) |
| 7 | 6367011 | VENT - DUAL FRESH BREW |
| 8 | 6367010 | VENT - SHELF - SINGLE FRESH BREW |

TABLE 52A. USAGE OF FRONT VENT ASSEMBLY ITEMS IN VENT ASSEMBLIES - FRESH BREW

| PART NUMBER | DESCRIPTION | CONTAINS INDEX | QTY |
|-------------|--|----------------|-----|
| 6367012 | VENT ASSEMBLY - SINGLE FB - NO SOUP - NO SUGAR SUB | 1 | 2 |
| | | 2 | 4 |
| | | 5 | 1 |
| | | 6 | 1 |
| | | 8 | 1 |
| 6367008 | VENT ASSEMBLY - SINGLE FB - W/SOUP - NO SUGAR SUB | 1 | 2 |
| | | 2 | 5 |
| | | 5 | 1 |
| | | 8 | 1 |
| 6367009 | VENT ASSEMBLY - DUAL FB - W/SOUP - NO SUGAR SUB | 1 | 2 |
| | | 2 | 4 |
| | | 5 | 1 |
| | | 7 | 1 |

EuroTwin Drink Center Parts Manual

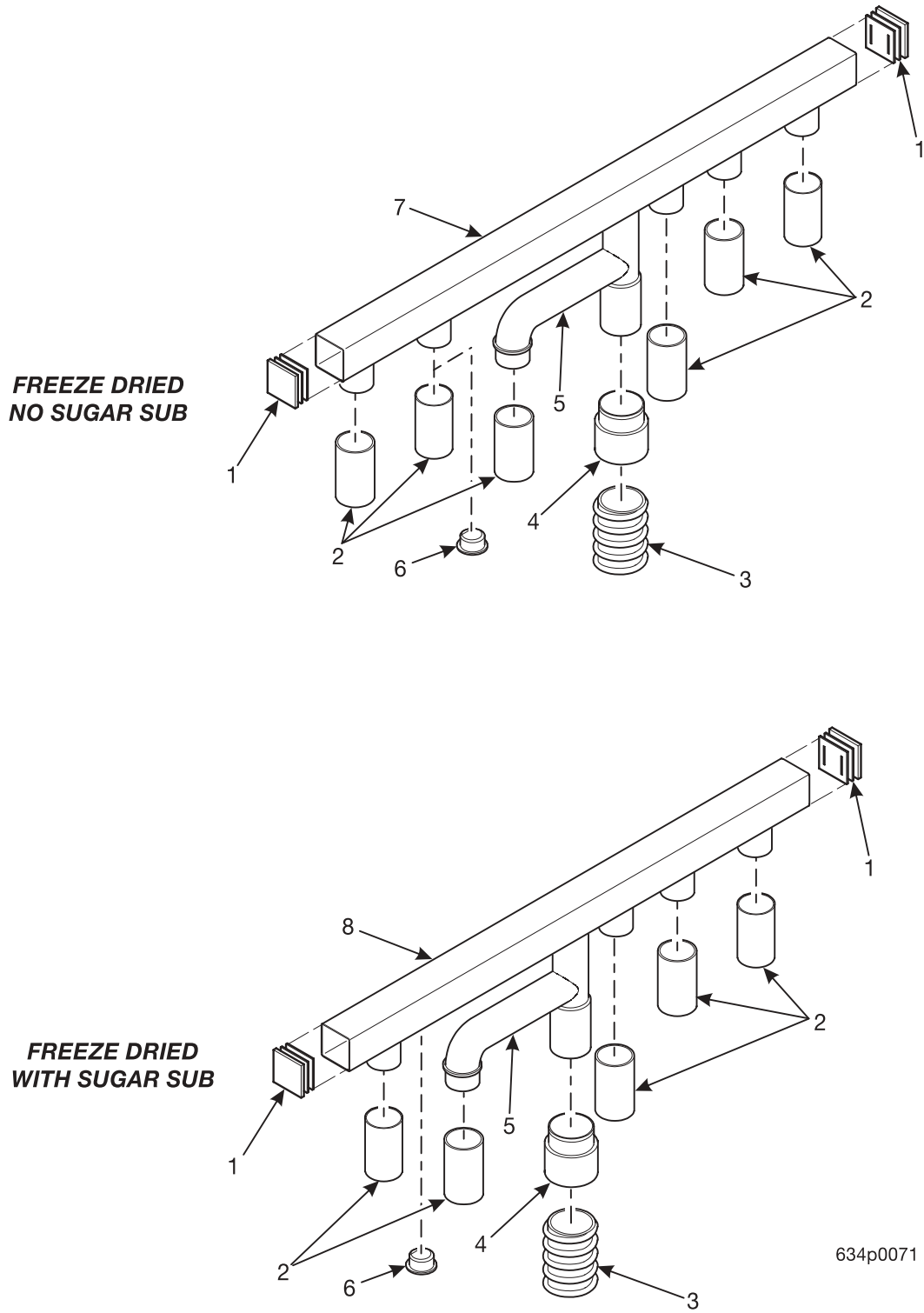


Figure 53. Front Vent Assemblies - Freeze Dry

EuroTwin Drink Center Parts Manual

TABLE 53. FRONT VENT ASSEMBLIES - FREEZE DRY

| INDEX | PART NUMBER | DESCRIPTION |
|-------|-------------|---|
| 1 | 6337082 | CAP - END VENT |
| 2 | 6337049 | TUBE - EXTENSION - SILICONE |
| 3 | 6237337 | HOSE - EXHAUST - 18" LONG |
| 4 | 6137157 | COUPLING - VENT HOSE |
| 5 | 6337044 | VENT - SUGAR/LIGHTENER ADAPTOR |
| 6 | 6237301 | PLUG - CENTER PULL - .93 (USE WITH DUAL CONDIMENT ONLY) |
| 7 | 6367003 | VENT - F.D. - STANDARD CONDIMENT |
| 8 | 6367017 | VENT - F.D. - WITH SUGAR SUB. |

TABLE 53A. USAGE OF FRONT VENT ASSEMBLY ITEMS IN VENT ASSEMBLIES - FREEZE DRY

| PART NUMBER | DESCRIPTION | CONTAINS INDEX | QTY |
|-------------|---|----------------|-----|
| 6367016 | VENT ASSEMBLY - FD - W/SUGAR SUBSTITUTE | 1 | 2 |
| | | 2 | 5 |
| | | 5 | 1 |
| | | 6 | 1 |
| | | 8 | 1 |
| 6367014 | VENT ASSEMBLY - FD - NO SOUP - NO SUGAR SUB | 1 | 2 |
| | | 2 | 5 |
| | | 5 | 1 |
| | | 6 | 1 |
| | | 7 | 1 |
| 6367007 | VENT ASSEMBLY - FD - W/SOUP - NO SUGAR SUB | 1 | 2 |
| | | 2 | 6 |
| | | 5 | 1 |
| | | 7 | 1 |

EuroTwin Drink Center Parts Manual

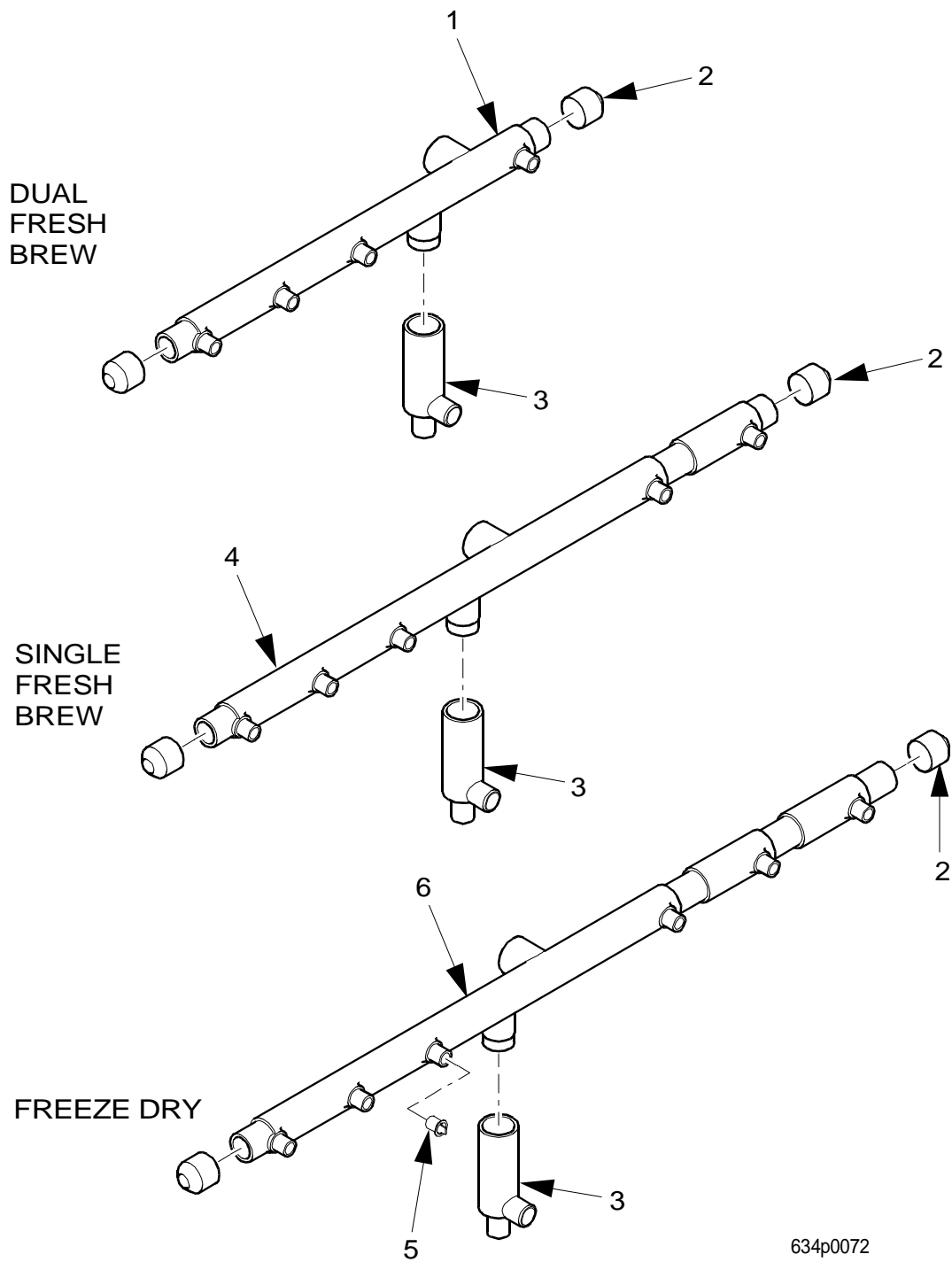


Figure 54. Rear Vent Assemblies

EuroTwin Drink Center Parts Manual

TABLE 54. REAR VENT ASSEMBLIES

| INDEX | PART NUMBER | DESCRIPTION | QTY |
|-------|-------------|---|-------|
| 1 | 6247008 | VENT SHELF - DUAL FRESH BREW | - |
| 2 | 6237335 | VINYL CAP - 1.00 I.D X .50 LONG - .38 HOLE | 2 |
| 3 | 6237336 | VENT - EXTENSION - SUGAR/LIGHTENER | 1 |
| 4 | 6247005X | VENT - SHELF - SINGLE FRESH BREW | (OPT) |
| 5 | 6237303 | PLUG - CENTER PULL - .56 (USE WHEN INTERNATIONAL COFFEE IS NOT PRESENT) | OPT. |
| 6 | 6267301 | VENT - SHELF - FREEZE DRY | (OPT) |

EuroTwin Drink Center Parts Manual

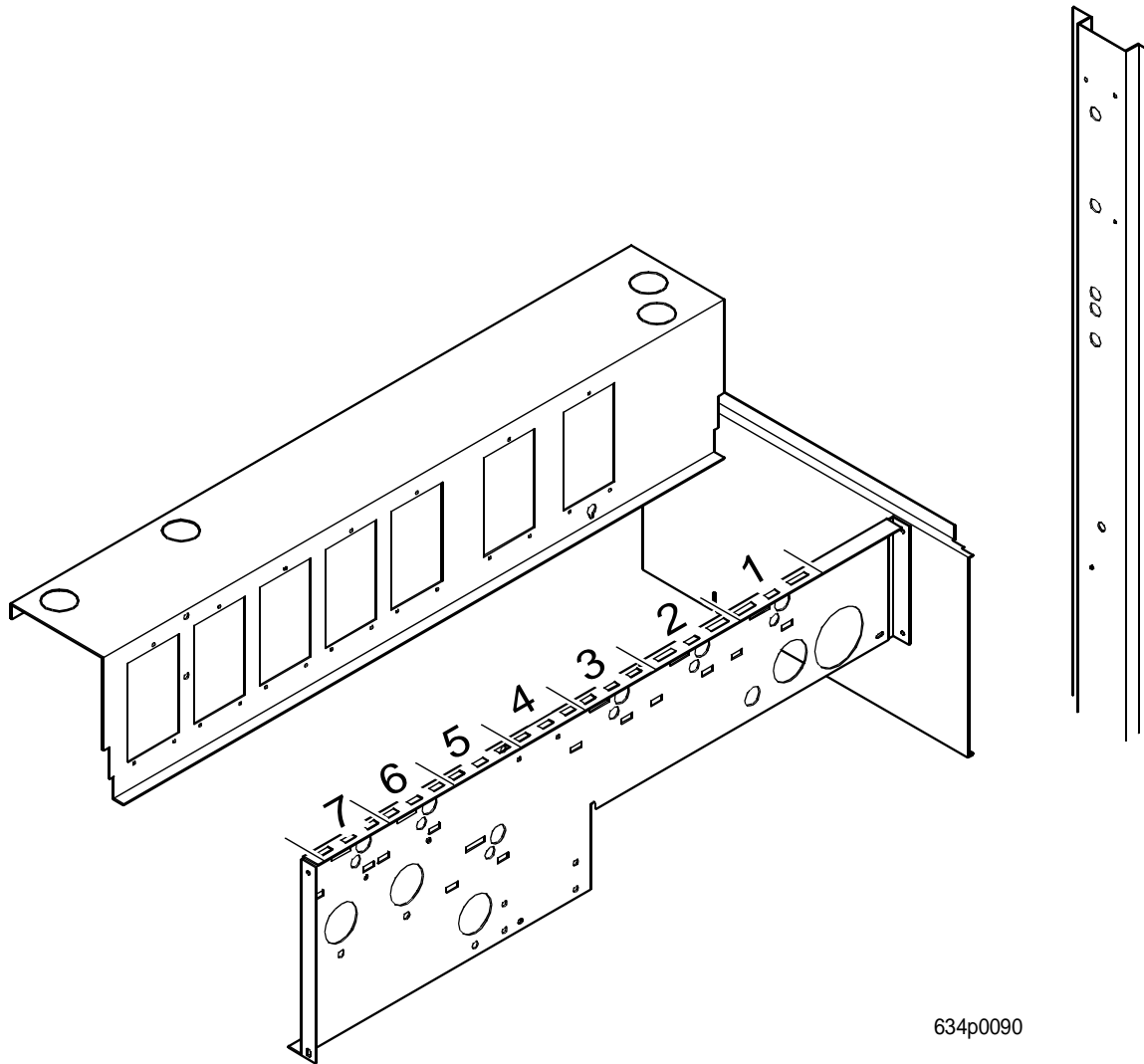


Figure 55. Canister Options and Positions

EuroTwin Drink Center Parts Manual

TABLE 55. CANISTER OPTIONS AND POSITIONS

| CANISTER POSITION | DETAIL FIGURE & PAGE | INGREDIENT | CANISTER ASSEMBLY PART NUMBER |
|-----------------------------------|---------------------------------|----------------------|--------------------------------------|
| MODEL 639 CANISTER OPTIONS | | | |
| 1 | 56, PAGE 110 | FRESH BREW COFFEE | 6337022 |
| | 57, PAGE 112 | FRESH BREW DECAF | 6337023 (115 V) |
| | 58, PAGE 114 | FRESH BREW DECAF | 6407043 (230 V) |
| | 59, PAGE 116 | FRESH BREW LEAF TEA | 6237420 |
| 2 | 60, PAGE 118 | FRESH BREW COFFEE | 6337022 |
| | 57, PAGE 112 | FRESH BREW DECAF | 6337023 (115 V) |
| | 58, PAGE 114 | FRESH BREW DECAF | 6407043 (230 V) |
| | 59, PAGE 116 | FRESH BREW LEAF TEA | 6237420 |
| | 60, PAGE 118 | FREEZE DRY COFFEE | 6537022 |
| | 60, PAGE 118 | FREEZE DRY DECAF | 6537022 |
| | 60, PAGE 118 | FREEZE DRY TEA | 6537022 |
| 3 | 60, PAGE 118 | FREEZE DRY COFFEE | 6537022 |
| | 60, PAGE 118 | FREEZE DRY DECAF | 6537022 |
| | 60, PAGE 118 | FREEZE DRY TEA | 6537022 |
| 4 | 61, PAGE 120 | SUGAR | 6537025 |
| 5 | 62, PAGE 122 | LIGHTENER | 6237446 |
| 6 | 63, PAGE 124 | SOUP | 6537024 |
| | 62, PAGE 122 | SUGAR SUBSTITUTE | 6237446 |
| | 63, PAGE 124 | INTERNATIONAL COFFEE | 6537024 |
| 7 | 64, PAGE 126 | CHOCOLATE | 6537023 |
| MODEL 631 CANISTER OPTIONS | | | |
| 1 | 60, PAGE 118 | FREEZE DRY COFFEE | 6537022 |
| | 60, PAGE 118 | FREEZE DRY DECAF | 6537022 |
| | 56, PAGE 110 | FREEZE DRY TEA | 6537022 |
| 2 | 60, PAGE 118 | FREEZE DRY COFFEE | 6537022 |
| | 60, PAGE 118 | FREEZE DRY DECAF | 6537022 |
| | 60, PAGE 118 | FREEZE DRY TEA | 6537022 |
| 3 | 60, PAGE 118 | FREEZE DRY COFFEE | 6537022 |
| | 60, PAGE 118 | FREEZE DRY DECAF | 6537022 |
| | 60, PAGE 118 | FREEZE DRY TEA | 6537022 |
| 4 | 61, PAGE 120 | SUGAR | 6537025 |
| 5 | 62, PAGE 122 | LIGHTENER | 6237446 |
| 6 | 63, PAGE 124 | SOUP | 6537024 |
| | 62, PAGE 122 | SUGAR SUBSTITUTE | 6237446 |
| | 63, PAGE 124 | INTERNATIONAL COFFEE | 6537024 |
| 7 | 64, PAGE 126 | CHOCOLATE | 6537023 |

EuroTwin Drink Center Parts Manual

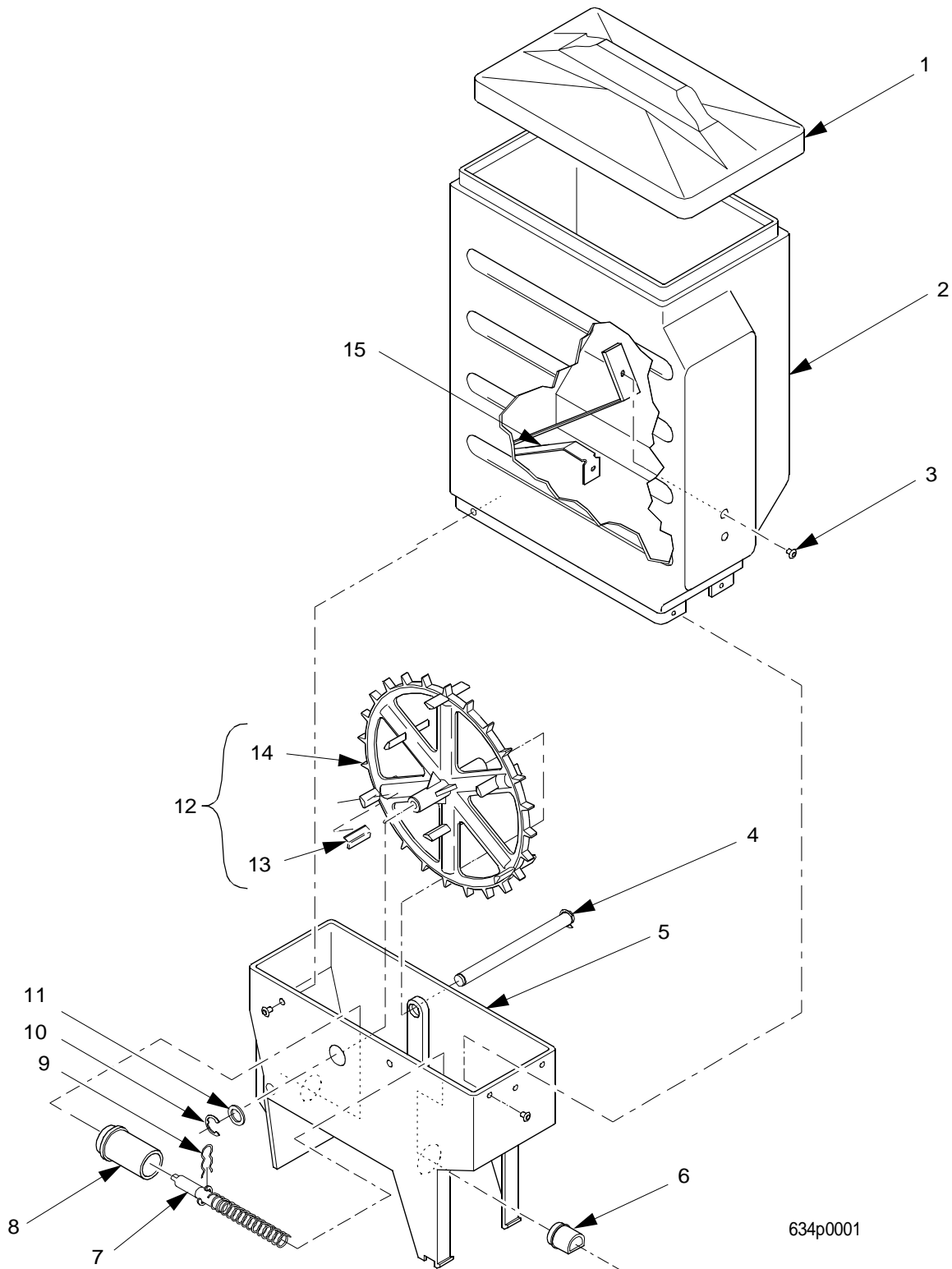


Figure 56. Canister Assembly 6337022

EuroTwin Drink Center Parts Manual

TABLE 56. CANISTER ASSEMBLY 6337022

| INDEX | PART NUMBER | DESCRIPTION | QTY |
|-------|-------------|--|-----|
| - | 6337022 | CANISTER ASSEMBLY - COFFEE - FRESH BREW | - |
| 1 | 6237066 | LID - CANISTER | 1 |
| 2 | 6337024 | SLEEVE - CAN. - PUNCHED - PRE GROUND COFFEE | 1 |
| 3 | 6237019 | ALUMINUM "POP: RIVETS - .187 DIA | 8 |
| 4 | 6337032 | SHAFT - CANISTER - COFFEE | 1 |
| 5 | 6337021 | CANISTER BASE - F.B. COFFEE | 1 |
| 6 | 6237063 | NOZZLE - DISPENSING - CANISTER | 1 |
| 7 | 6237095 | AUGER AND SHAFT ASSEMBLY | 1 |
| 8 | 6237014 | BEARING - CANISTER | 1 |
| 9 | 6337020 | CLIP - SPRING | 1 |
| 10 | 9900415 | RETAINING RING - REINFORCED "E" TYPE - .156 | 2 |
| 11 | 6237116 | WASHER - SEAL - WEAR PLATE | 2 |
| 12 | 6337030 | MIXING WHEEL ASSEMBLY (INCLUDES INDEX NUMBERS 13 AND 14) | 1 |
| 13 | 6337087 | EXTENSION - WHEEL - F.B. | 2 |
| 14 | 6337086 | MIXING WHEEL - F.B. COFFEE | 1 |
| 15 | 6237020 | THUMPER SPRING - GROUND COFFEE | 1 |

EuroTwin Drink Center Parts Manual

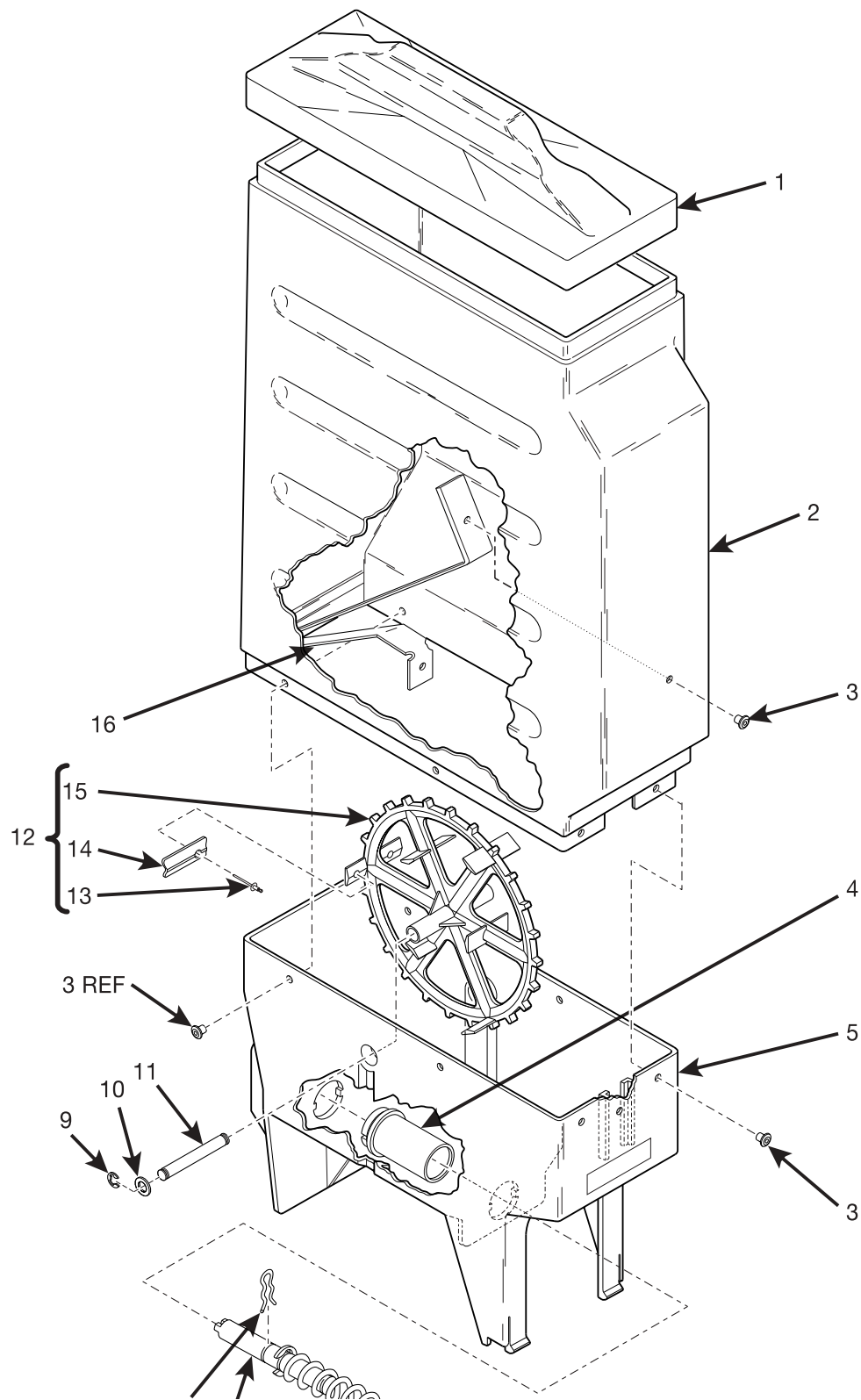


Figure 57. Canister Assembly 6337023

EuroTwin Drink Center Parts Manual

TABLE 57. CANISTER ASSEMBLY 6337023

| INDEX | PART NUMBER | DESCRIPTION | QTY |
|-------|-------------|--|-----|
| - | 6337023 | CANISTER ASSEMBLY - COFFEE - FRESH BREW | - |
| 1 | 6237069 | LID - CANISTER | 1 |
| 2 | 6337025 | SLEEVE - CAN. - PUNCHED - PRE GROUND COFFEE | 1 |
| 3 | 6237019 | ALUMINUM "POP: RIVETS - .187 DIA | 12 |
| 4 | 6337032 | SHAFT - CANISTER - COFFEE | 1 |
| 5 | 6337021 | CANISTER BASE - F.B. COFFEE | 1 |
| 6 | 6237063 | NOZZLE - DISPENSING - CANISTER | 1 |
| 7 | 6237095 | AUGER AND SHAFT ASSEMBLY | 1 |
| 8 | 6237014 | BEARING - CANISTER | 1 |
| 9 | 6337020 | CLIP - SPRING | 1 |
| 10 | 9900415 | RETAINING RING - REINFORCED "E" TYPE - .156 | 2 |
| 11 | 6237116 | WASHER - SEAL - WEAR PLATE | 2 |
| 12 | 6337030 | MIXING WHEEL ASSEMBLY (INCLUDES INDEX NUMBERS 13 AND 14) | 1 |
| 13 | 6337087 | EXTENSION - WHEEL - F.B. | 2 |
| 14 | 6337086 | MIXING WHEEL - F.B. COFFEE | 1 |
| 15 | 6237020 | THUMPER SPRING - GROUND COFFEE | 1 |

EuroTwin Drink Center Parts Manual

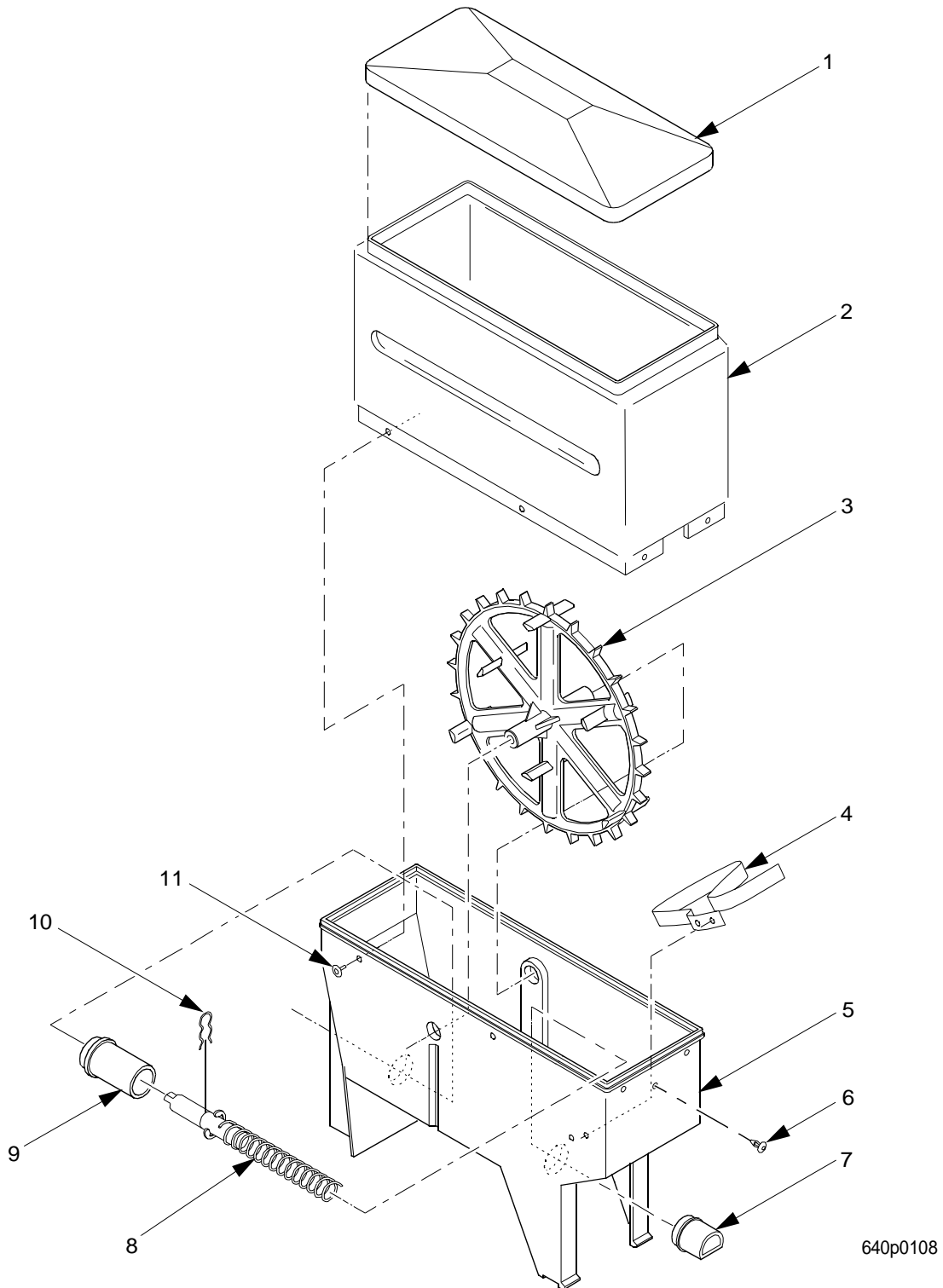


Figure 58. Canister Assembly 6407043

EuroTwin Drink Center Parts Manual

TABLE 58. CANISTER ASSEMBLY 6407043

| INDEX | PART NUMBER | DESCRIPTION | QTY |
|--------------|--------------------|---------------------------------------|------------|
| - | 6407043 | CANISTER ASSEMBLY - PREGROUND COFFEE | REF |
| 1 | 6407021 | LID - CANISTER - FB COFFEE | 1 |
| 2 | 6407047 | SLEEVE - CANISTER - FB COFFEE - SHORT | 1 |
| 3 | 6407045 | MIXING WHEEL ASSEMBLY - FB COFFEE | 1 |
| 4 | 6407023 | SPRING - THUMPER - COFFEE - PREGROUND | 1 |
| 5 | 6407042 | BASE - PREGROUND COFFEE - DRILLED | 1 |
| 6 | 6237053 | FASTENER - PUSH IN | 3 |
| 7 | 6237063 | NOZZLE - DISPENSING - CANISTER | 1 |
| 8 | 6237095 | AUGER AND SHAFT ASSEMBLY - COFFEE | 1 |
| 9 | 6237014 | BEARING - CANISTER | 1 |
| 10 | 6337020 | CLIP - SPRING | 1 |
| 11 | 6237019 | ALUMINUM "POP" RIVET - .187 DIA. | 8 |

EuroTwin Drink Center Parts Manual

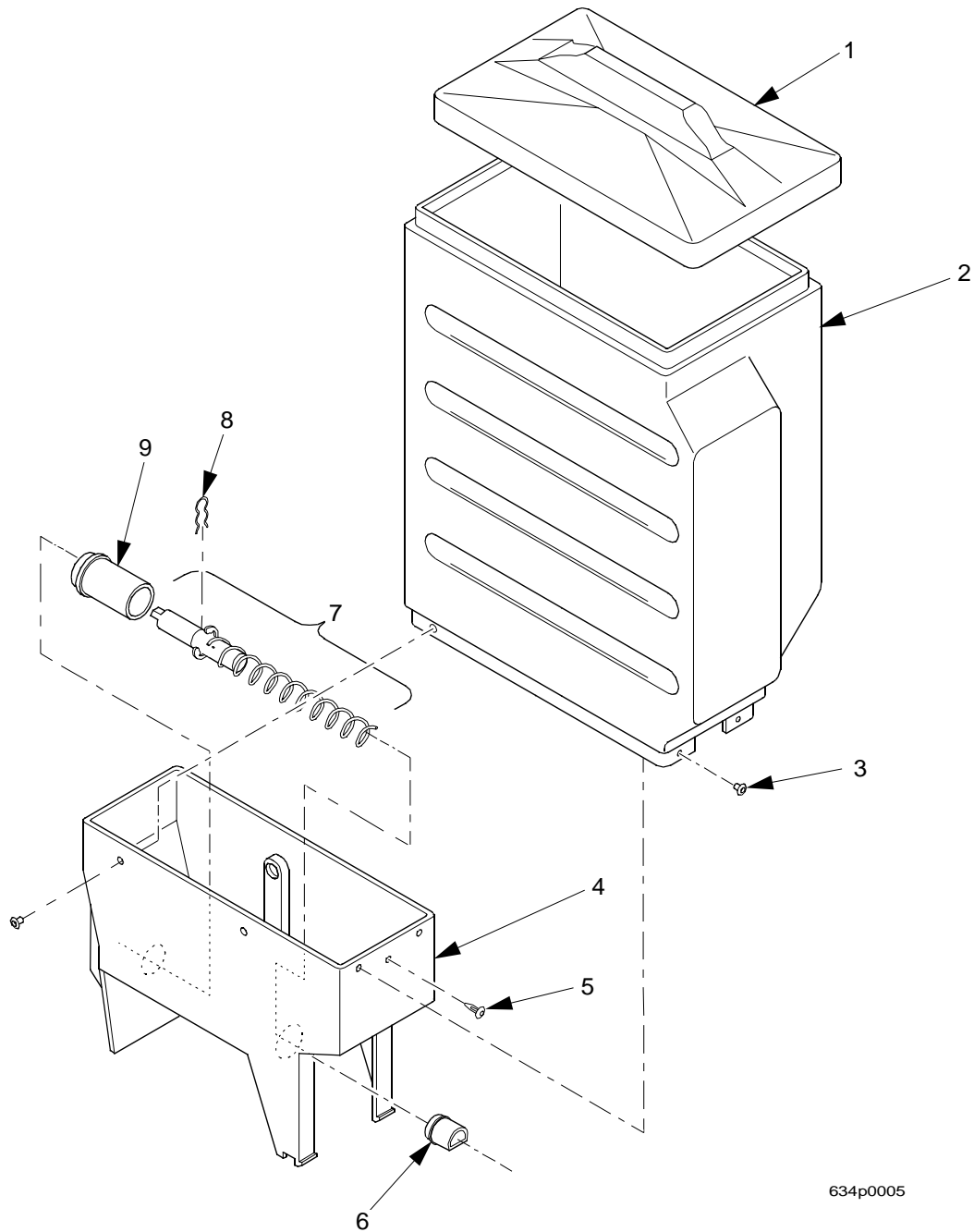


Figure 59. Canister Assembly 6237420

EuroTwin Drink Center Parts Manual

TABLE 59. CANISTER ASSEMBLY 6237420

| INDEX | PART NUMBER | DESCRIPTION | QTY |
|-------|-------------|--|-----|
| - | 6237420 | CANISTER ASSEMBLY - LEAF TEA - HIGH CAPACITY | - |
| 1 | 6237066 | LID - CANISTER | 1 |
| 2 | 6337026 | SLEEVE - CANISTER | 1 |
| 3 | 6237019 | ALUMINUM "POP" RIVET - .187 DIA. | 6 |
| 4 | 6237062 | CANISTER BASE | 1 |
| 5 | 6237053 | FASTENER - PUSH IN | 1 |
| 6 | 6237080 | NOZZLE - DISPENSING | 1 |
| 7 | 6237095 | AUGER AND SHAFT ASSEMBLY | 1 |
| 8 | 6337020 | CLIP - BEARING | 1 |
| 9 | 6237014 | BEARING - CANISTER | 1 |

EuroTwin Drink Center Parts Manual

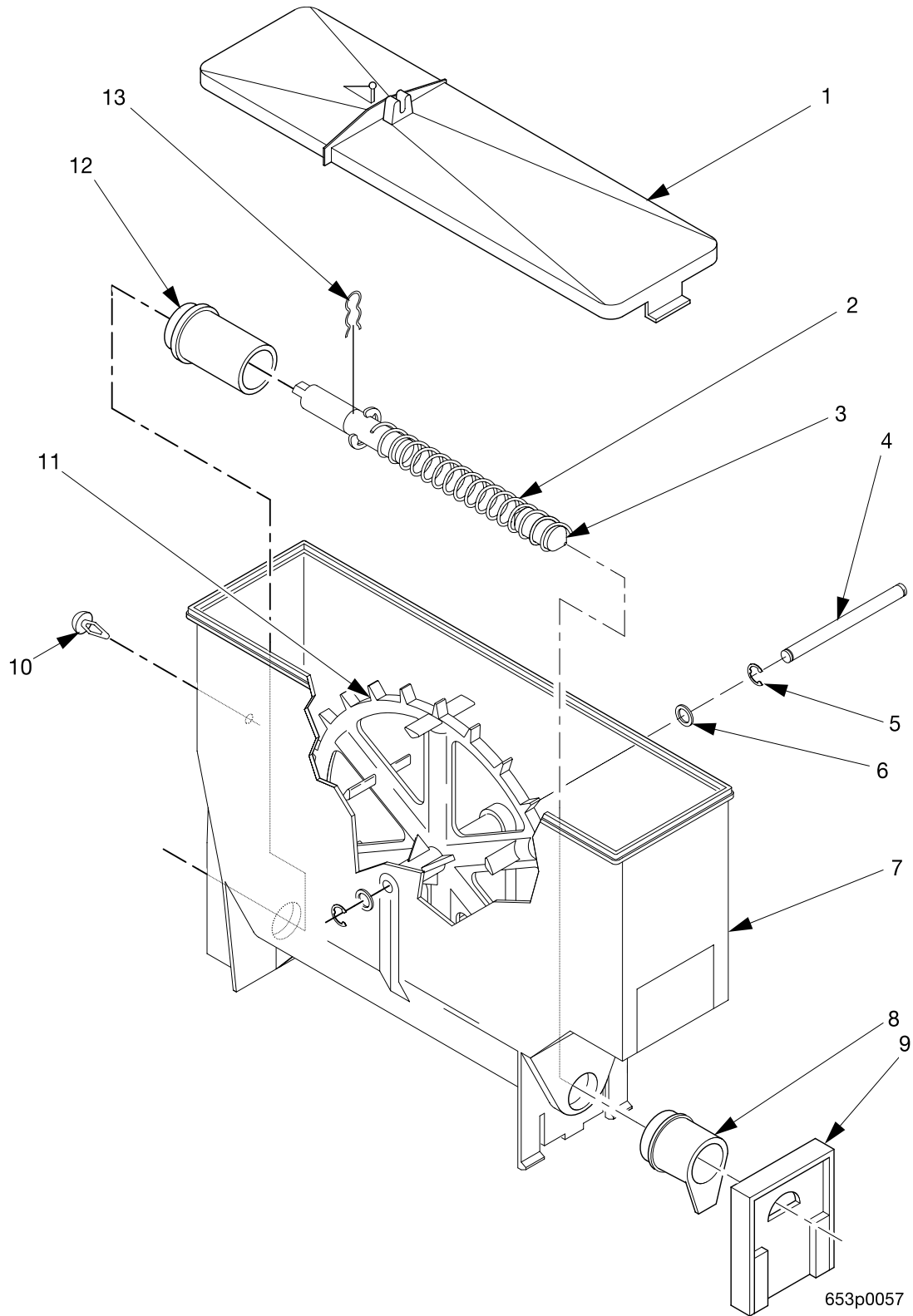


Figure 60. Canister Assembly 6537022

EuroTwin Drink Center Parts Manual

TABLE 60. CANISTER ASSEMBLY 6537022

| INDEX | PART NUMBER | DESCRIPTION | QTY |
|--------------|--------------------|--|------------|
| - | 6537022 | CANISTER ASSEMBLY - FREEZE DRY COFFEE | - |
| 1 | 6237023 | LID - CANISTER | 1 |
| 2 | 6537018 | AUGER AND SHAFT ASSEMBLY (INCLUDES THE NEXT 3 ITEMS) | 1 |
| 3 | 6537021 | PLUG - AUGER | 1 |
| 4 | 6237167 | SHAFT - CANISTER | 1 |
| 5 | 9900415 | RETAINING RING REINF TYP.1 | 2 |
| 6 | 6237116 | WASHER - SEAL - WEAR PLATE | 2 |
| 7 | 6237176 | BASE - CANISTER | 1 |
| 8 | 6537014 | NOZZLE - DISPENSING - CANISTER | 1 |
| 9 | 6537013 | GATE - NOZZLE - PLASTIC | 1 |
| 10 | 6237053 | FASTENER - PUSH IN | 1 |
| 11 | 6237181 | MIXING WHEEL | 1 |
| 12 | 6237014 | BEARING - CANISTER | 1 |
| 13 | 6337020 | CLIP - SPRING | 1 |

EuroTwin Drink Center Parts Manual

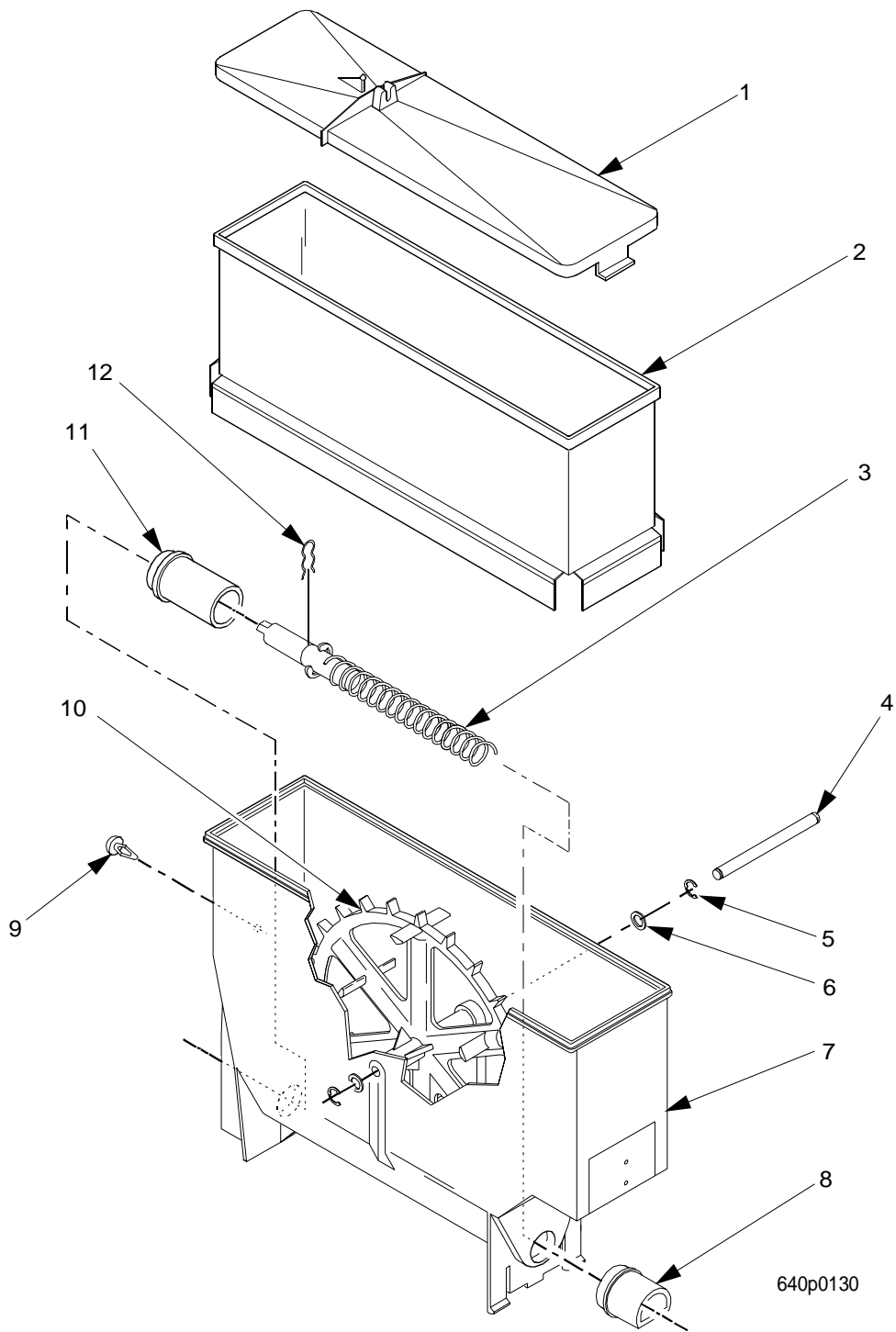


Figure 61. Canister Assembly 6537025

EuroTwin Drink Center Parts Manual

TABLE 61. CANISTER ASSEMBLY 6537025

| INDEX | PART NUMBER | DESCRIPTION | QTY |
|-------|-------------|--|-----|
| - | 6237449 | CANISTER ASSEMBLY - 1 SLV - W/MIXING | - |
| 1 | 6237023 | LID - CANISTER | 1 |
| 2 | 6237008 | SLEEVE - CANISTER 4 IN | 1 |
| 3 | 6237176 | BASE - CANISTER | 1 |
| 4 | 6237063 | NOZZLE - DISPENSING - CANISTER | 1 |
| 5 | 6537018 | AUGER AND SHAFT ASSEMBLY (INCLUDES THE NEXT 3 ITEMS) | 1 |
| - | 6537017 | AUGER-CANISTER | 1 |
| - | 6237025 | RETAINING RING-"E"-.500 | 1 |
| - | 6337016 | SHAFT-AUGER-LONG | 1 |
| 6 | 6337020 | CLIP - SPRING | 1 |
| 7 | 9900415 | RETAINING RING REINF E TYP.1 | 2 |
| 8 | 6237116 | WASHER - SEAL - WEAR PLATE | 2 |
| 9 | 6237167 | SHAFT - CANISTER | 1 |
| 10 | 6237053 | FASTENER - PUSH IN | 1 |
| 11 | 6237014 | BEARING - CANISTER | 1 |
| 12 | 6237181 | MIXING WHEEL | 1 |

EuroTwin Drink Center Parts Manual

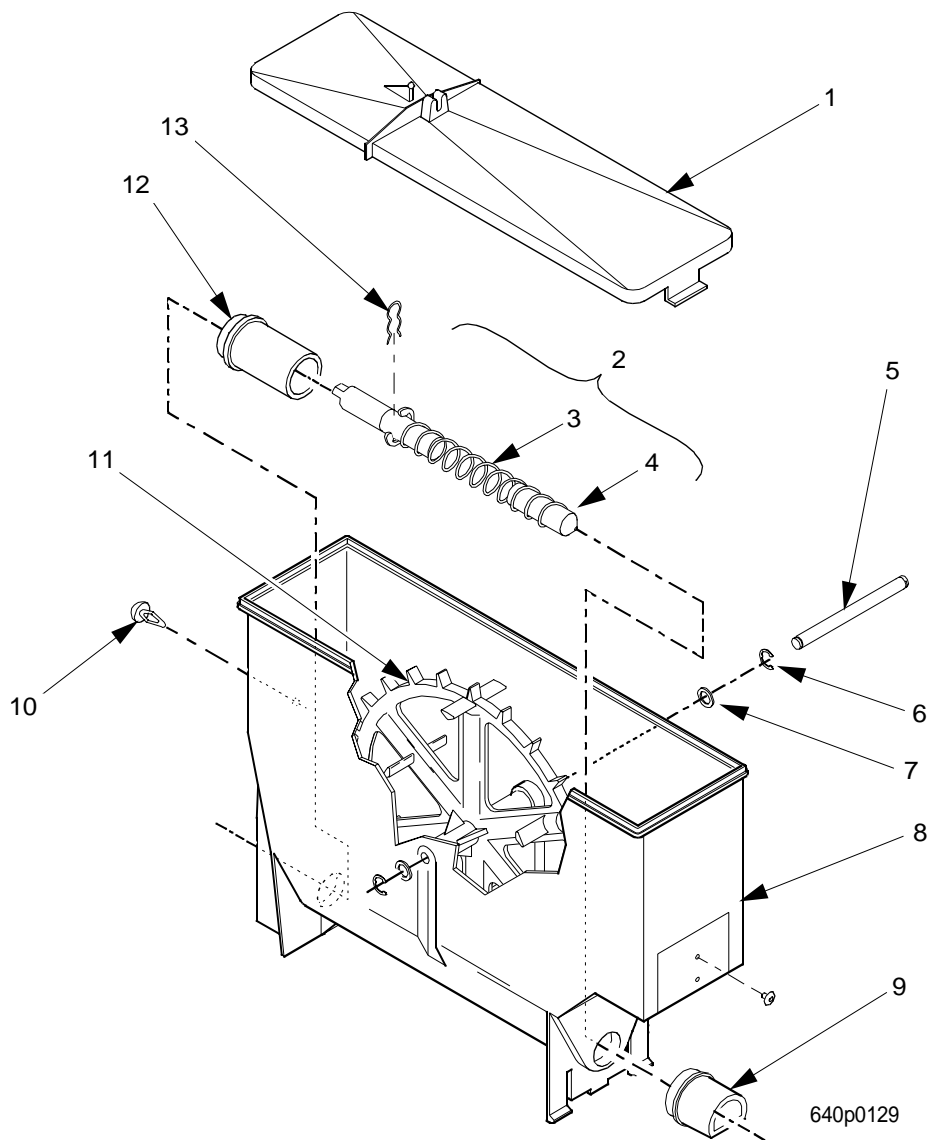


Figure 62. Canister Assembly 6237446

EuroTwin Drink Center Parts Manual

TABLE 62. CANISTER ASSEMBLY 6237446

| INDEX | PART NUMBER | DESCRIPTION | QTY |
|-------|-------------|--|-----|
| - | 6237446 | CANISTER ASSEMBLY - LIGHTENER | - |
| 1 | 6237023 | LID - CANISTER | 1 |
| 2 | 6237180 | PLUG AND AUGER ASSEMBLY (INCLUDES INDEX NUMBERS 3 AND 4) | 1 |
| 3 | 6237179 | AUGER ASSEMBLY | 1 |
| 4 | 6237046 | PLUG - AUGER | 1 |
| 5 | 6237167 | SHAFT - CANISTER | 1 |
| 6 | 9900415 | RETAINING RING REINF E TYP.1 | 2 |
| 7 | 6237116 | WASHER - SEAL - WEAR PLATE | 2 |
| 8 | 6237176 | BASE - CANISTER | 1 |
| 9 | 6237106 | NOZZLE - DISPENSING - CANISTER | 1 |
| 10 | 6237053 | FASTENER - PUSH IN | 1 |
| 11 | 6237181 | MIXING WHEEL | 1 |
| 12 | 6237014 | BEARING - CANISTER | 1 |
| 13 | 6237020 | CLIP - SPRING | 1 |

EuroTwin Drink Center Parts Manual

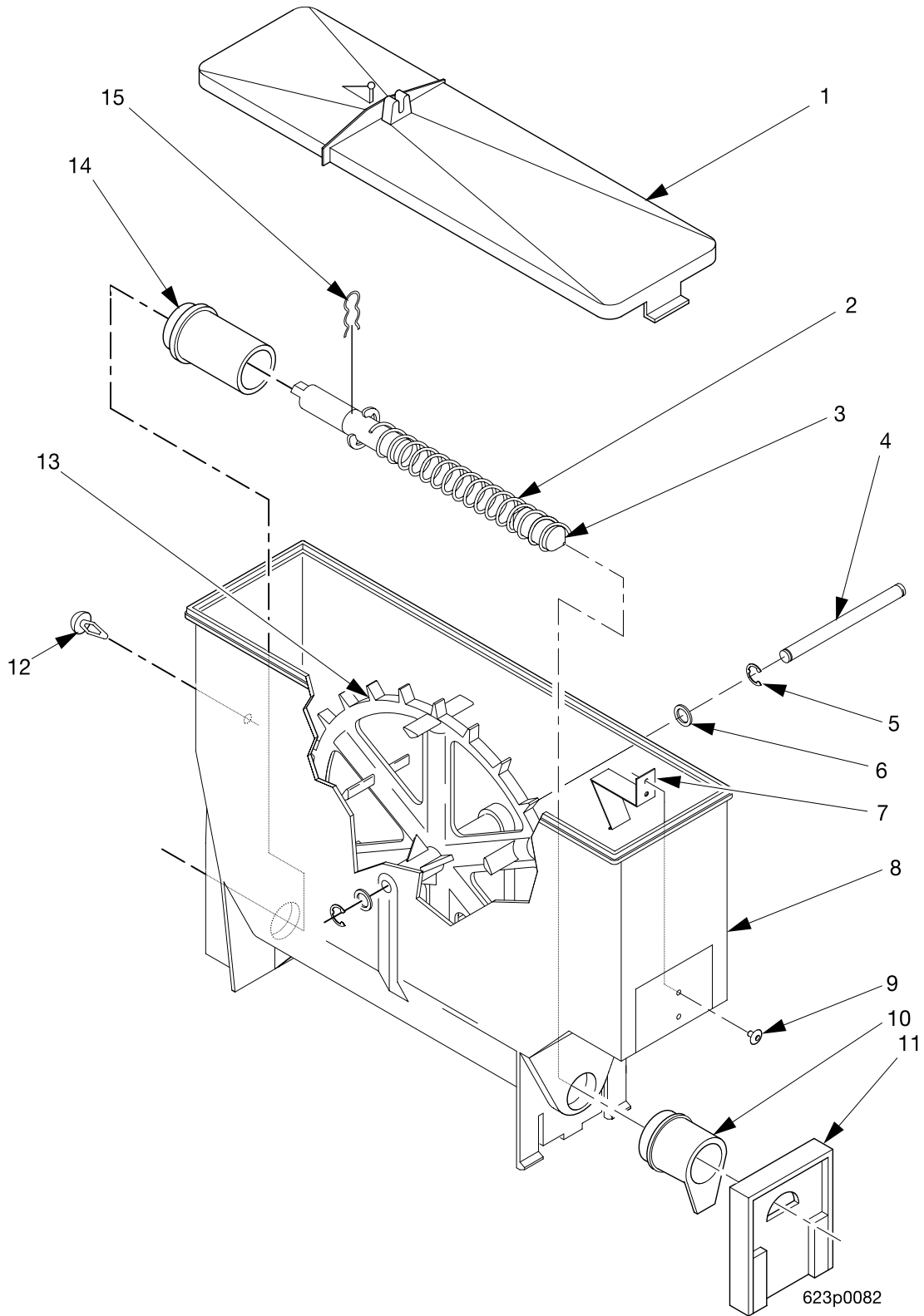


Figure 63. Canister Assembly 6537024

EuroTwin Drink Center Parts Manual

TABLE 63. CANISTER ASSEMBLY 6537024

| INDEX | PART NUMBER | DESCRIPTION | QTY |
|-------|-------------|--|-----|
| - | 6537024 | CANISTER ASSEMBLY - SOUP/6TH PRODUCT | - |
| 1 | 6237023 | LID - CANISTER | 1 |
| 2 | 6537018 | AUGER AND SHAFT ASSEMBLY (INCLUDES THE NEXT 3 ITEMS) | 1 |
| - | 6537017 | AUGER-CANISTER | 1 |
| - | 6237025 | RETAINING RING-"E"-.500 | 1 |
| - | 6337016 | SHAFT-AUGER-LONG | 1 |
| 3 | 6537021 | PLUG - AUGER | 1 |
| 4 | 6237167 | SHAFT - CANISTER | 1 |
| 5 | 9900415 | RETAINING RING REINF E TYP.1 | 2 |
| 6 | 6237116 | WASHER - SEAL - WEAR PLATE | 2 |
| 7 | 6237108 | SPRING - THUMPER | 1 |
| 8 | 6237177 | BASE - CANISTER - THUMPER | 1 |
| 9 | 6537026 | ALUMINUM CAP RIVET - .187 DIA | 2 |
| 10 | 6537014 | NOZZLE - DISPENSING - CANISTER | 1 |
| 11 | 6537013 | GATE - NOZZLE - PLASTIC | 1 |
| 12 | 6237053 | FASTENER - PUSH IN | 1 |
| 13 | 6237181 | MIXING WHEEL | 1 |
| 14 | 6237014 | BEARING - CANISTER | 1 |
| 15 | 6337020 | CLIP - SPRING | 1 |

EuroTwin Drink Center Parts Manual

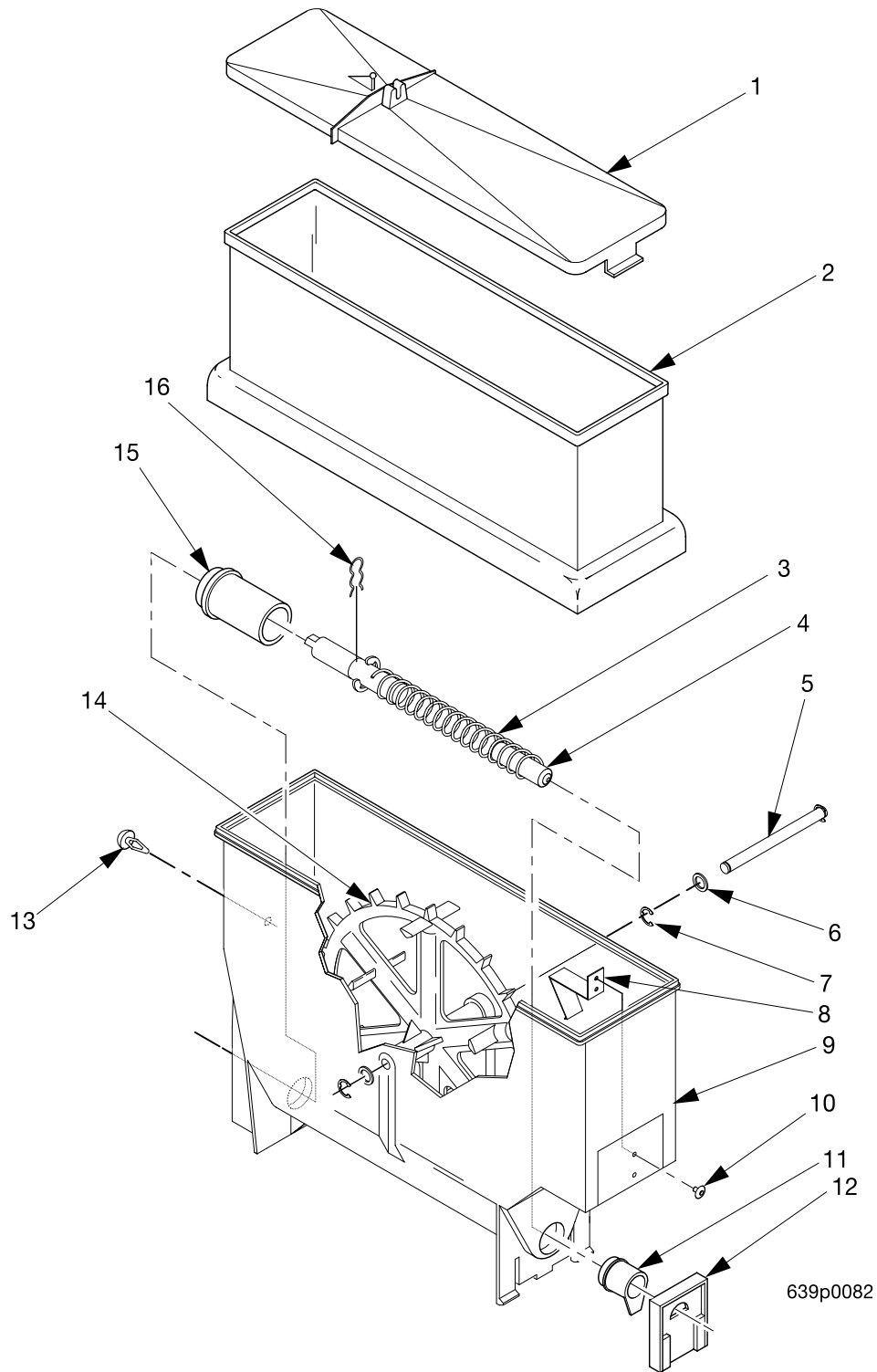


Figure 64. Canister Assembly 6537023

EuroTwin Drink Center Parts Manual

TABLE 64. CANISTER ASSEMBLY 6537023

| INDEX | PART NUMBER | DESCRIPTION | QTY |
|-------|-------------|--|-----|
| - | 6537023 | CANISTER ASSEMBLY - CHOCOLATE | - |
| 1 | 6237023 | LID - CANISTER | 1 |
| 2 | 6237439 | SLEEVE - CANISTER | 1 |
| 3 | 6537018 | AUGER AND SHAFT ASSEMBLY (INCLUDES THE NEXT 3 ITEMS) | 1 |
| - | 6237025 | RETAINING RING-"E"-.500 | 1 |
| 4 | 6537021 | PLUG - AUGER | 1 |
| 5 | 6237167 | SHAFT - CANISTER | 1 |
| 6 | 6237116 | WASHER - SEAL - WEAR PLATE | 2 |
| 7 | 9900415 | RETAINING RING REINF E TYP.1 | 2 |
| 8 | 6237108 | SPRING - THUMPER | 1 |
| 9 | 6237177 | BASE - CANISTER - THUMPER | 1 |
| 10 | 6537026 | ALUMINUM CAP RIVET-.187 DIA | 2 |
| 11 | 6537014 | NOZZLE - DISPENSING - F.D. COFFEE | 1 |
| 12 | 6537013 | GATE - NOZZLE - PLASTIC | 1 |
| 13 | 6237053 | FASTENER - PUSH IN | 1 |
| 14 | 6237181 | MIXING WHEEL | 1 |
| 15 | 6237014 | BEARING - CANISTER | 1 |
| 16 | 6337020 | CLIP - SPRING | 1 |
| - | 6537023 | CANISTER ASSEMBLY - CHOCOLATE | - |
| 1 | 6237023 | LID - CANISTER | 1 |
| 2 | 6237439 | SLEEVE - CANISTER | 1 |
| 3 | 6537018 | AUGER AND SHAFT ASSEMBLY (INCLUDES THE NEXT 3 ITEMS) | 1 |

EuroTwin Drink Center Parts Manual

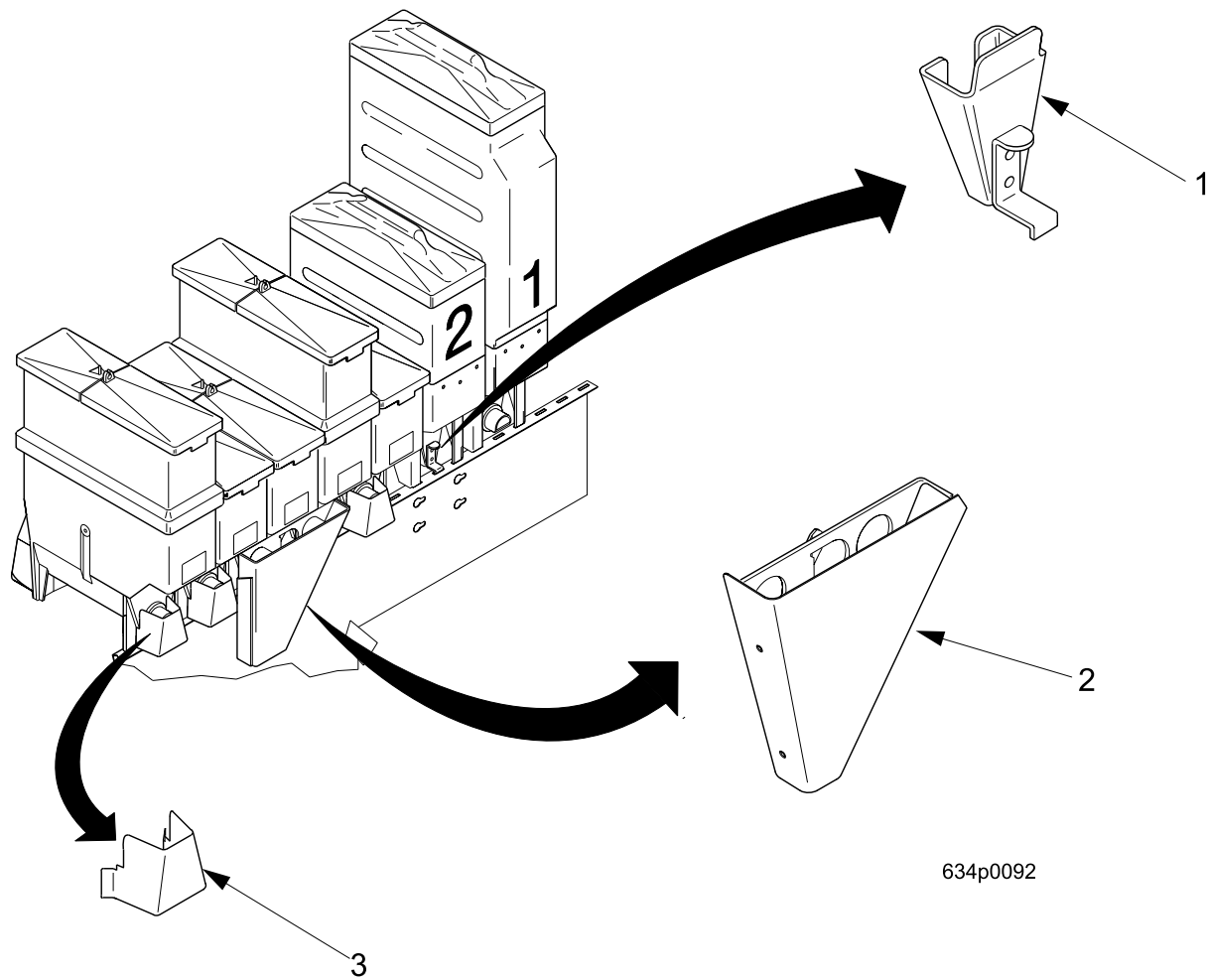


Figure 65. Product and Condiment Chutes - Part 1

EuroTwin Drink Center Parts Manual

TABLE 65. PRODUCT AND CONDIMENT CHUTES - PART 1

| INDEX | PART NUMBER | DESCRIPTION | QTY |
|-------|-------------|--|-----------|
| 1 | 6237241 | CHUTE ASSEMBLY - PREGROUND COFFEE USED WITH THE FOLLOWING PRODUCTS: FRESH BREW COFFEE, FRESH BREW DECAF, LEAF TEA | 1 OR 2 |
| 2 | 6367018 | CHUTE ASSEMBLY - 2 INGREDIENT USED ON MACHINES WITHOUT SUGAR SUB OPTION FOR SUGAR - LIGHTENER CONDIMENTS | 1 OPT |
| 3 | 6337015 | BRACKET - DEFLECTOR - CHOCOLATE USED WITH THE FOLLOWING PRODUCTS: CHOCOLATE, FREEZE DRY COFFEE, FREEZE DRY DECAF, SOUP | 3 TO 5 |

EuroTwin Drink Center Parts Manual

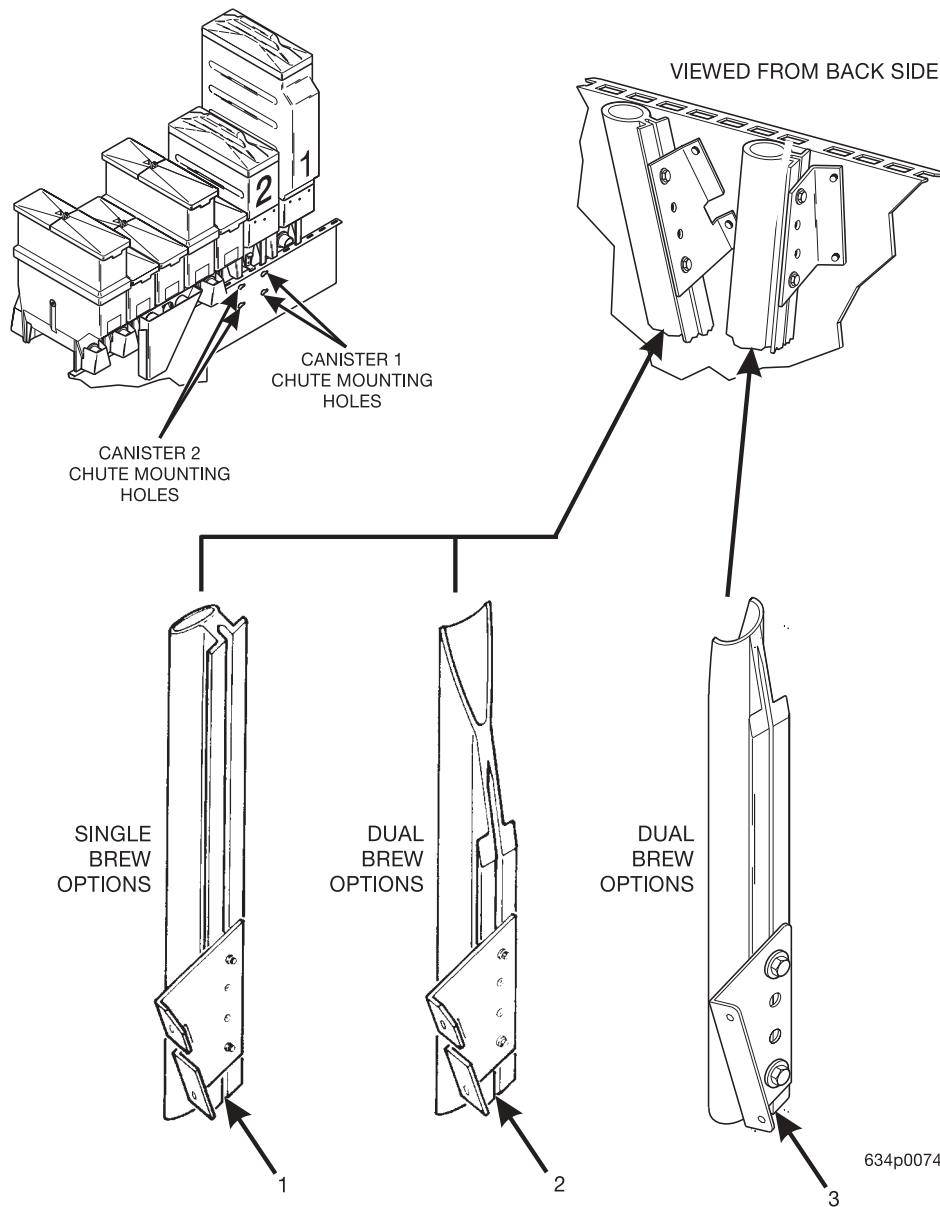


Figure 66. Product and Condiment Chutes - Part 2

EuroTwin Drink Center Parts Manual

TABLE 66. PRODUCT AND CONDIMENT CHUTES - PART 2

| INDEX | PART NUMBER | DESCRIPTION | QTY |
|--------------|--------------------|--|------------|
| 1 | 6237287 | CHUTE ASSEMBLY - SINGLE/DUAL PROD - RH | 1 OPT |
| 2 | 6237293 | CHUTE ASSEMBLY - DUAL PRODUCT - RH | 1 OPT |
| 3 | 6237281 | CHUTE ASSEMBLY - GRINDER - DUAL - LH | 1 OPT |

EuroTwin Drink Center Parts Manual

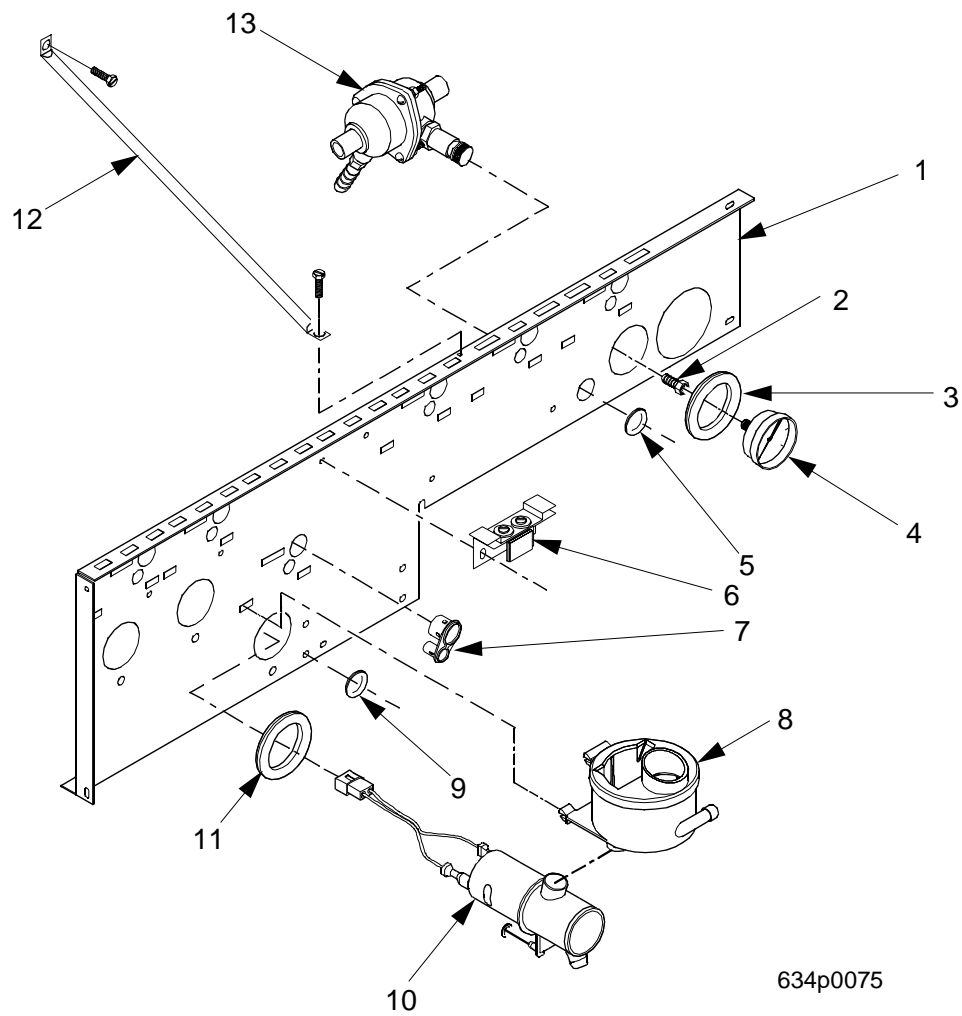


Figure 67. Support Channel Assembly

EuroTwin Drink Center Parts Manual

TABLE 67. SUPPORT CHANNEL ASSEMBLY

| INDEX | PART NUMBER | DESCRIPTION | QTY |
|-------|-------------|---|-----|
| 1 | 6261117 | CHANNEL ASSEMBLY - CANISTER SUPPORT | 1 |
| 2 | 6204215 | FITTING - 1/4 BARB X 1/8 FEMALE - NPT * | 1 |
| 3 | 6237051 | GROMMET - GAGE MOUNTING* | 1 |
| 4 | 6108065 | GAUGE - COMPRESSOR * | 1 |
| 5 | 6237052 | GROMMET - REGULATOR MOUNTING * | 1 |
| 6 | 6337057 | CANISTER SUPPORT ASSEMBLY - LIGHTENER (CONSISTS OF THE FOLLOWING PARTS) | 1 |
| 7 | 6237315 | RETAINER - TUBE - MIXING BOWL | OPT |
| 8 | - | MIXING BOWL ASSEMBLY (FIGURE 69) | - |
| 9 | 2302223 | GROMMET - 3/16 | OPT |
| 10 | - | WHIPPER ASSEMBLY (FIGURE 71) | - |
| 11 | 6237115 | GROMMET - WHIPPER MOUNTING | OPT |
| 12 | 6231533 | BRACE CANISTER SUPPORT - UPPER | 1 |
| 13 | 6234981 | REGULATOR ASSEMBLY (FIGURE 68) | 1 |
| - | 3102447 | 8-32 X 3/4 PHS TYPE 23 T/C-Z | 2 |
| - | 6237170 | BUSHING - CANISTER | 2 |
| - | 6337058 | BRACKET - CANISTER FRONT | 1 |
| - | 6237174 | SUPPORT - CANISTER FRON | 1 |
| - | 6237356 | VIBRATION ISOLATOR - .375 DIA | 2 |

* USED ON FRESH BREW MODELS ONLY

EuroTwin Drink Center Parts Manual

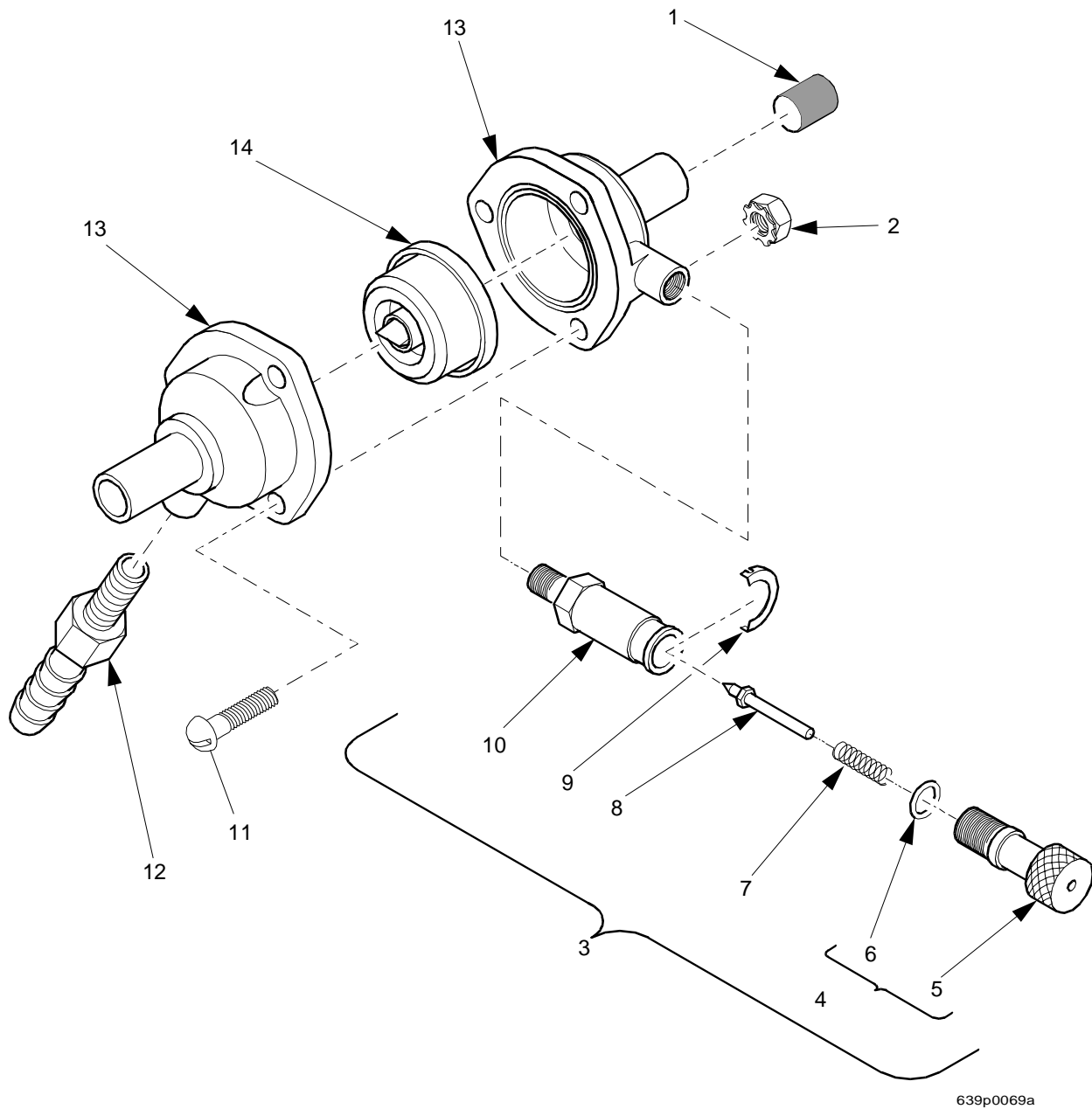


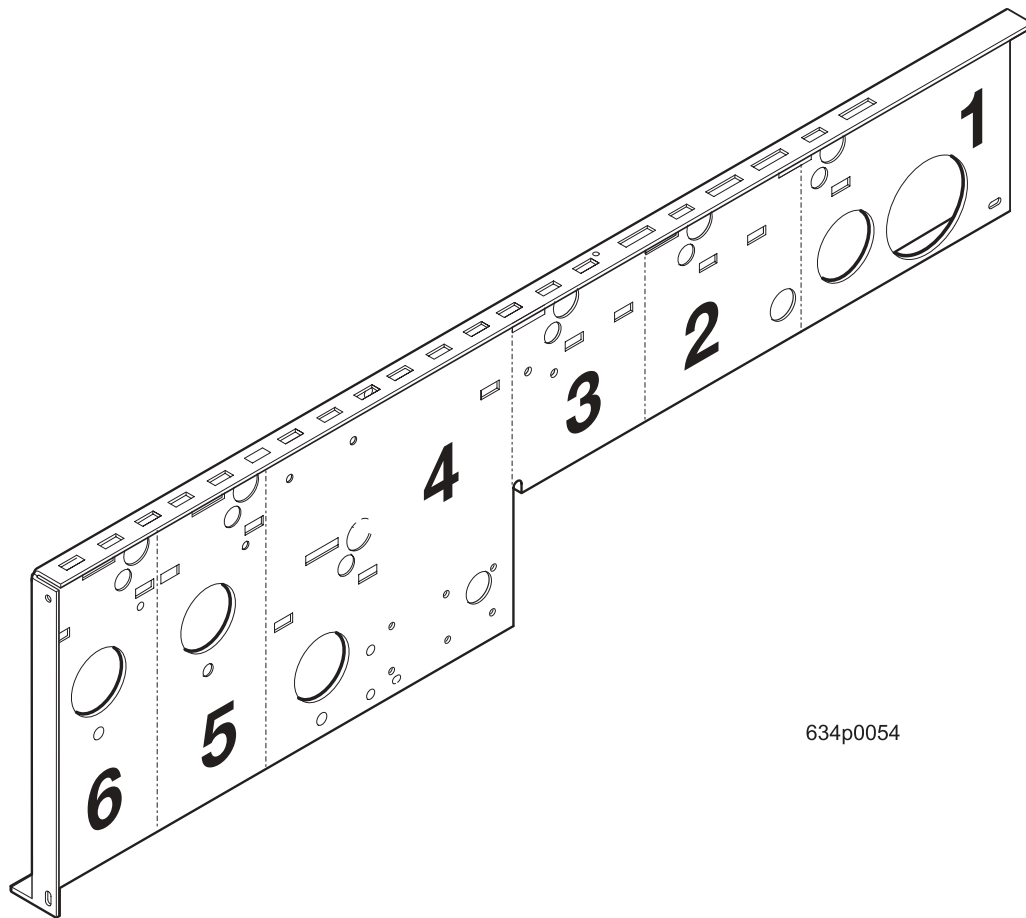
Figure 68. Regulator Assembly

EuroTwin Drink Center Parts Manual

TABLE 68. REGULATOR ASSEMBLY

| INDEX | PART NUMBER | DESCRIPTION | QTY |
|-------|-------------|--|-----|
| - | 6234981 | REGULATOR ASSEMBLY - SINGLE BREWER | 1 |
| 1 | 6234335 | FILTER - AIR REGULATOR | 1 |
| 2 | 9900081 | NUT, #8-32 X 3/4 RHS | 3 |
| 3 | 6154284 | CONTROL ASSEMBLY (INCLUDES INDEX NUMBER 4 - 10) | 1 |
| 4 | 6154289 | ADJUSTER ASSEMBLY (INCLUDES INDEX NUMBERS 5 & 6) | 1 |
| 5 | 6154290 | ADJUSTER - CONTROL | 1 |
| 6 | 6154232 | O RING - .239 X .07 | 1 |
| 7 | 6154286 | SPRING - PRESSURE CONTROL | 1 |
| 8 | 6154287 | PLUNGER - PRESSURE CONTROL | 1 |
| 9 | 6154285 | RETAINER - ADJUSTER | 1 |
| 10 | 6154288 | BODY - PRESSURE CONTROL | 1 |
| 11 | 9900115 | SCREW, #8-32 X 3/4 RHS | 3 |
| 12 | 3167128 | FITTING - PARKER #P4MCB2 | 1 |
| 13 | 6154214 | BODY - REGULATOR | 2 |
| 14 | 6334016 | DIAPHRAGM AND RESTRICTOR ASSEMBLY | 1 |

EuroTwin Drink Center Parts Manual



634p0054

Figure 69. Mixing Bowl and Whipper Positions

EuroTwin Drink Center Parts Manual

TABLE 69. MIXING BOWL AND WHIPPER POSITIONS

| POSITION | PRODUCT | IS WHIPPER PRESENT? | MIXING BOWL ASSEMBLY | WHIPPER ASSEMBLIES | |
|----------|-----------------------------|---------------------|----------------------|--------------------|----------------|
| | | | | STANDARD 633708 | NESTLE 6367020 |
| 1 | COFFEE, DECAF, TEA | NO | 6337076 | - | - |
| 2 | COFFEE, DECAF, TEA | NO | 6337076 | - | - |
| 3 | FD COFFEE, FD DECAF, FD TEA | YES | 6337078 | 6337081 | - |
| | | NO | 6337079 | - | - |
| 4 | CONDIMENTS | YES | 6337079 | 6337081 | 6367020 |
| 5 | SOUP | YES | 6337078 | 6337081 | - |
| | | NO | 6337076 | - | - |
| 6 | CHOCOLATE | YES | 6337078 | 6337081 | - |

EuroTwin Drink Center Parts Manual

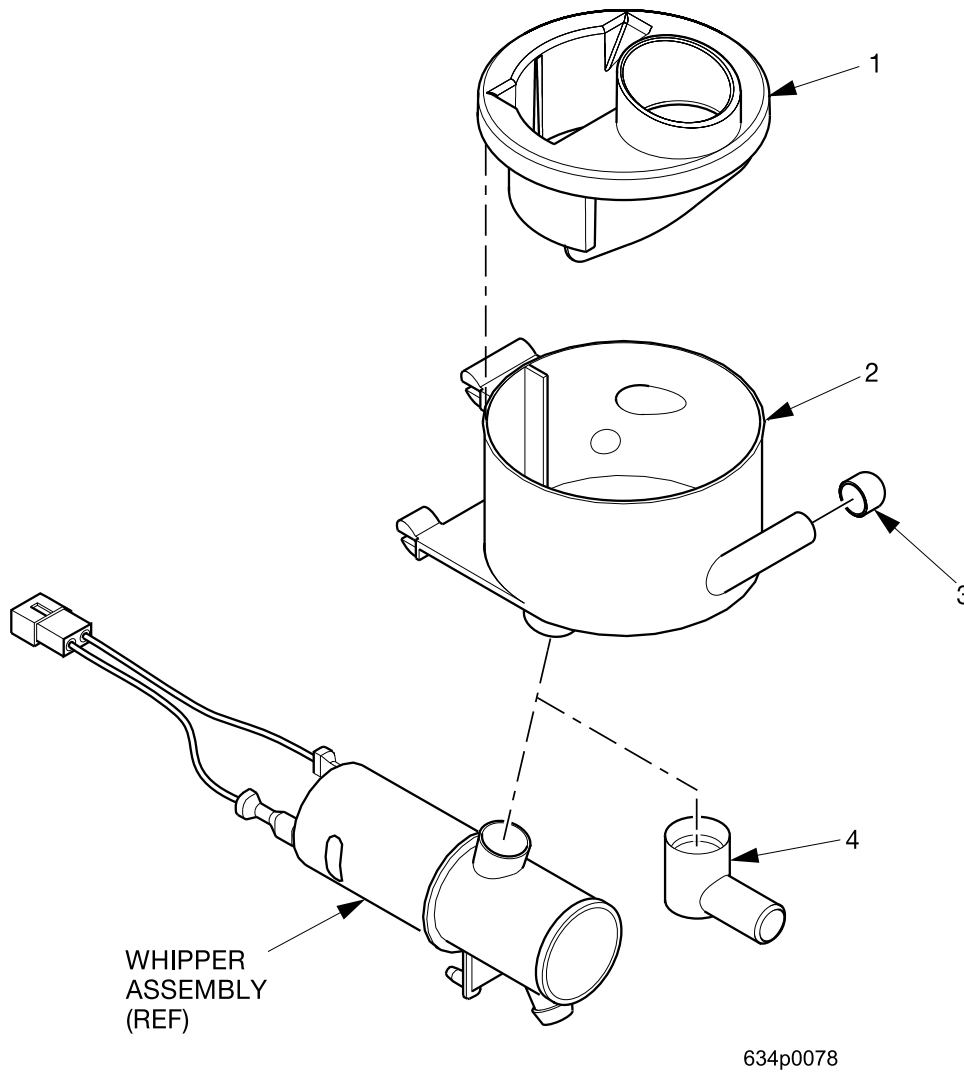


Figure 70. Mixing Bowl Assemblies

EuroTwin Drink Center Parts Manual

TABLE 70. MIXING BOWL ASSEMBLIES

| INDEX | PART NUMBER | DESCRIPTION | QTY |
|--------------|--------------------|---------------------|------------|
| 1 | 6537019 | VENT AND DIVIDER | 1 |
| 2 | 6537030 | MIXING BOWL | 1 |
| 3 | 6237306 | VINYL CAP | 1 |
| 4 | 6237312 | SPOUT - MIXING BOWL | 1 |

THE FOLLOWING ARE AVAILABLE AS ASSEMBLIES

| | |
|---------|---|
| 6337076 | MIXING BOWL ASSY-S & P (INCLUDES INDEX NUMBERS 1 - 4) |
| 6337078 | MIXING BOWL ASSY-P & NO S (INCLUDES INDEX NUMBERS 1 - 3) |
| 6337079 | MIXING BOWL ASSY-NO P & NO S (INCLUDES INDEX NUMBERS 1 AND 2) |

EuroTwin Drink Center Parts Manual

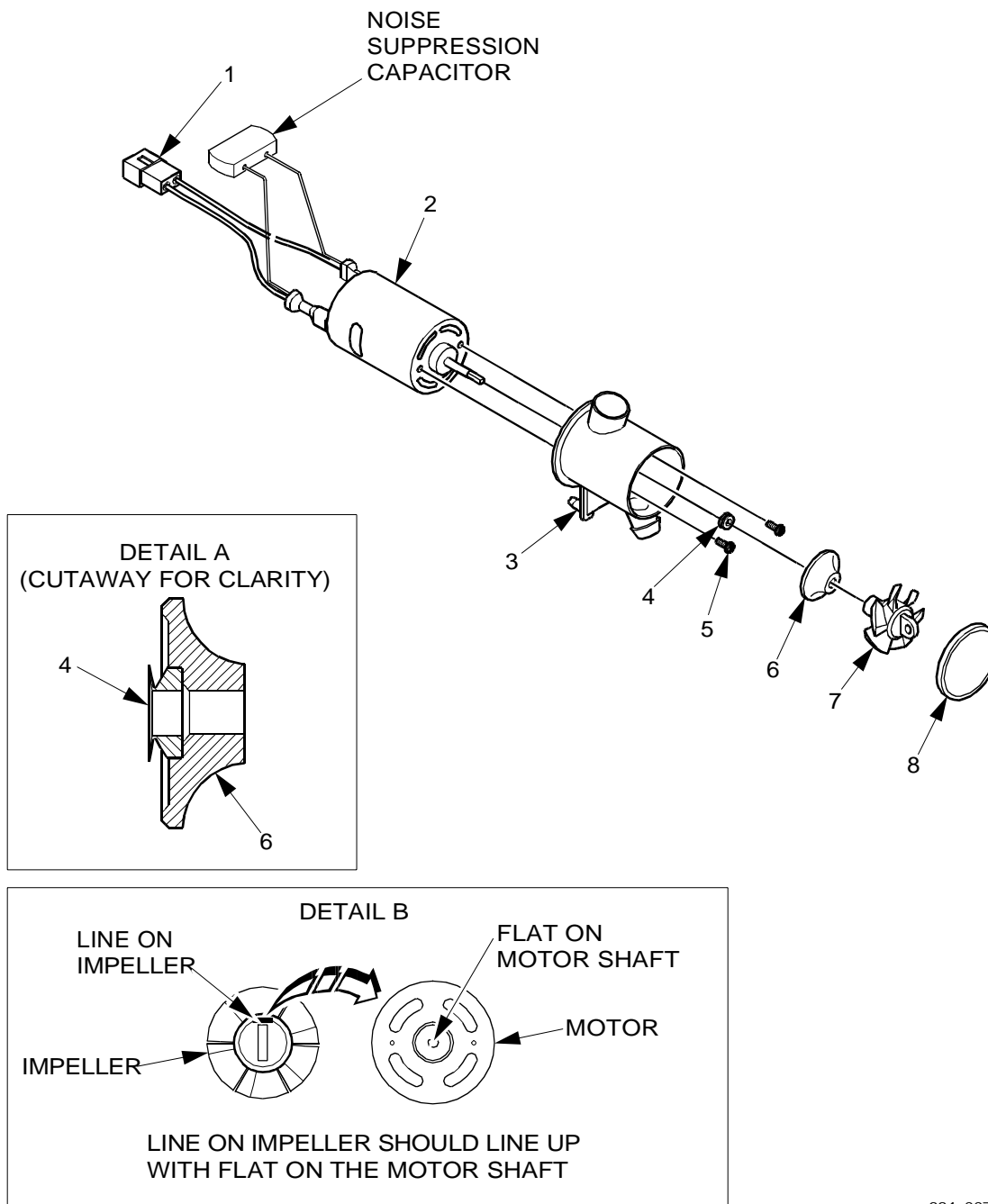


Figure 71. Standard Whipper Assemblies

EuroTwin Drink Center Parts Manual

TABLE 71. STANDARD WHIPPER ASSEMBLIES

| INDEX | PART NUMBER | DESCRIPTION | QTY |
|-------|-------------|---|-----|
| 1 | 6337081 | WHIPPER ASSEMBLY - DRINK (230 V) | REF |
| 1 | 6339025 | HARNESS - WHIPPER MOTOR - SUPPRESSION (230 V) | 1 |
| 2 | 6237111 | MOTOR - WHIPPER - 24 VDC | 1 |
| 3 | 6237193 | HOUSING - WHIPPER | 1 |
| 4 | 6237110 | V-RING SHAFT SEAL | 1 |
| 5 | 6237119 | SCREW | 2 |
| 6 | 6237192 | SPACER - WHIPPER | 1 |
| 7 | 6237194 | IMPELLER - WHIPPER | 1 |
| 8 | 6337085 | COVER - WHIPPER | 1 |
| - | 6237117 | IMPELLER REMOVAL TOOL (PART OF BAG ASSEMBLY) | 1 |

EuroTwin Drink Center Parts Manual

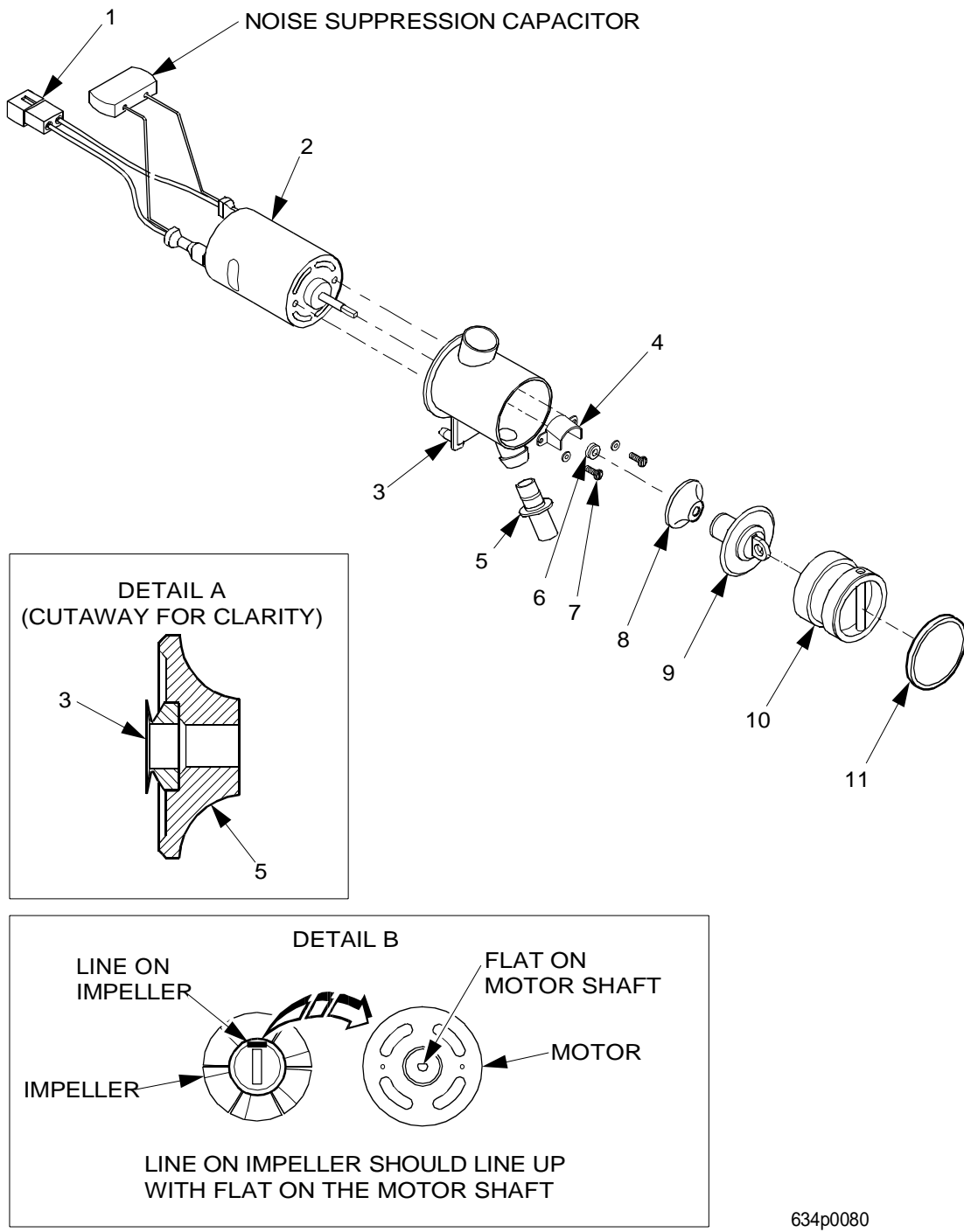


Figure 72. Nestle Whipper Assemblies

EuroTwin Drink Center Parts Manual

TABLE 72. NESTLE WHIPPER ASSEMBLIES

| INDEX | PART NUMBER | DESCRIPTION | QTY |
|--------------|--------------------|---|------------|
| - | 6367020 | WHIPPER ASSEMBLY - NESTLE - 230 V | REF |
| 1 | 6339025 | HARNESS - WHIPPER MOTOR - SUPPRESSION - 230 V | 1 |
| 2 | 6237111 | MOTOR - WHIPPER - 24 VDC | 1 |
| 3 | 6237193 | HOUSING-WHIPPER | - |
| 4 | 6337083 | SEAL COVER-WHIPPER-NESTLE | - |
| 5 | 6367040 | RESTRICTOR-WHIPPER/NESTLE | - |
| 6 | 6237110 | V RING-SHAFT SEAL | - |
| 7 | 6237119 | SCREW-M3XL.5-6GX6MM-SPH | - |
| 8 | 6237192 | SPACER-WHIPPER | - |
| 9 | 6367023 | DISK ASSEMBLY-WHIPPER/NESTLE | - |
| 10 | 6367019 | PLUG & PIN ASSY-WHIP.-NESTLE | - |
| 11 | 6337085 | COVER-WHIPPER | - |

EuroTwin Drink Center Parts Manual

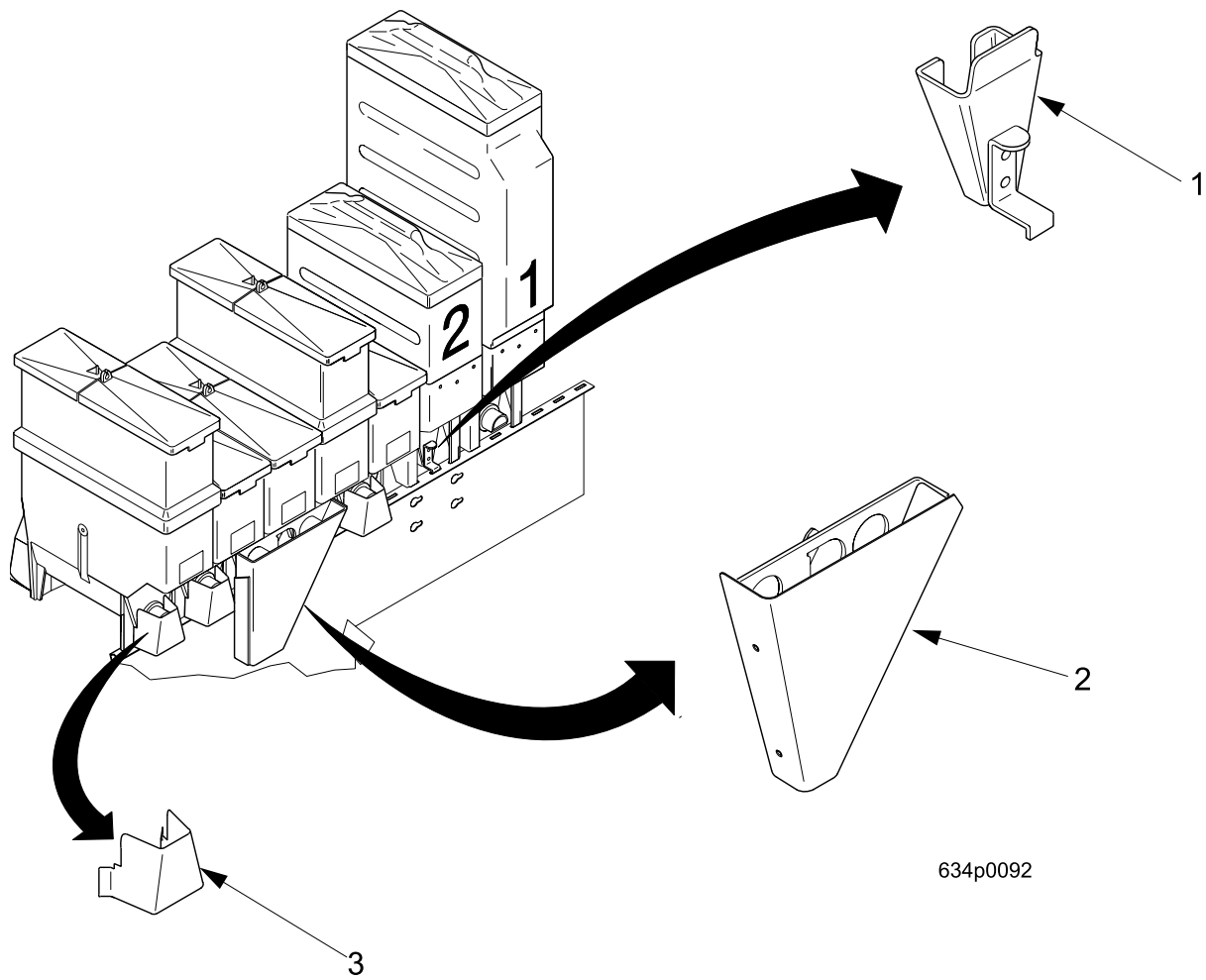


Figure 73. Canister Motor Options and Assemblies

EuroTwin Drink Center Parts Manual

TABLE 73. CANISTER MOTOR OPTIONS AND ASSEMBLIES

| INDEX | PART NUMBER | DESCRIPTION | INGREDIENT | MOTOR POSITION | QTY |
|-------|-------------|---|------------------------------|----------------|----------|
| 1 | 6408002 | MOTOR & PLATE ASSY-COFF-230V - (167 RPM FRESH BREW COFFEE) - INCLUDES INDEX 2 - 4 | FRESH BREW DECAF | F | 1 |
| | | | FRESH BREW COFFEE | G | |
| 2 | 6407000 | MOTOR-CANISTER-230V/50HZ-167 RPM | | | 1 |
| 3 | 1451097 | SCREW-#8-32X.31 HEX HD.TF-BLK. | | | 3 |
| 4 | 9900157 | SCREW #8-32X7/32 HWHD TY23 | | | 3 |
| 5 | 6237077 | PLATE ASSY-COF.MOTOR MTG-WELD | | | 1 |
| 6 | 6337003X | MOTOR & LITNR PLATE ASSY-230V - 167 RPM (INCLUDES INDEX NUMBERS 7 - 13) | | | WHITENER |
| 7 | 6407000 | MOTOR-CANISTER-230V/50HZ-167 RPM | | | 1 |
| 8 | 6237356 | VIBRATION ISOLATOR-.375 DIA. | | | 1 |
| 9 | 6237170 | BUSHING-CANISTER | | | 3 |
| 10 | 9900157 | SCREW #8-32X7/32 HWHD TY23 | | | 3 |
| 11 | 3102447 | 8-32 X 3/4 PHS TYPE 23 T/C ZNC | | | 3 |
| 12 | 6237172 | PLATE ASSY-MOTOR MTG-LIGHTENER | | | 1 |
| 13 | 1475119 | JUMPER-GROUND WIRE | | | 1 |
| 14 | 6337001 | MOTOR & PLATE ASSY-53 RPM-230V (INCLUDES INDEX NUMBERS 15 - 17) | SUGAR SUB | B | 1 |
| | | | INSTANT TEA | E | |
| | 6408001 | MOTOR & PLATE ASSY-167 RPM-230V (INCLUDES INDEX 15 - 17) | CHOCOLATE | A | |
| | | | SOUP OR INTERNATIONAL COFFEE | B | |
| | | | SUGAR | D | |
| | | | FREEZE DRY DECAF | F | |
| | | FREEZE DRY COFFEE | G | | |
| 15 | 6337010 | MOTOR-CANISTER-53 RPM-230V | | | 1 |
| | 6407000 | MOTOR-CANISTER-230V/50HZ-167 RPM | | | |
| 16 | 9900157 | SCREW #8-32X7/32 HWHD TY23 | | | 3 |
| 17 | 6237074 | PLATE ASSY-MOTOR MTG-WELD | | | - |
| 18 | 6231376 | PLATE-MOTOR CHANNEL COVER (USED WHEN THERE IS NO MOTOR IN A POSITION) | | | OPT |

EuroTwin Drink Center Parts Manual

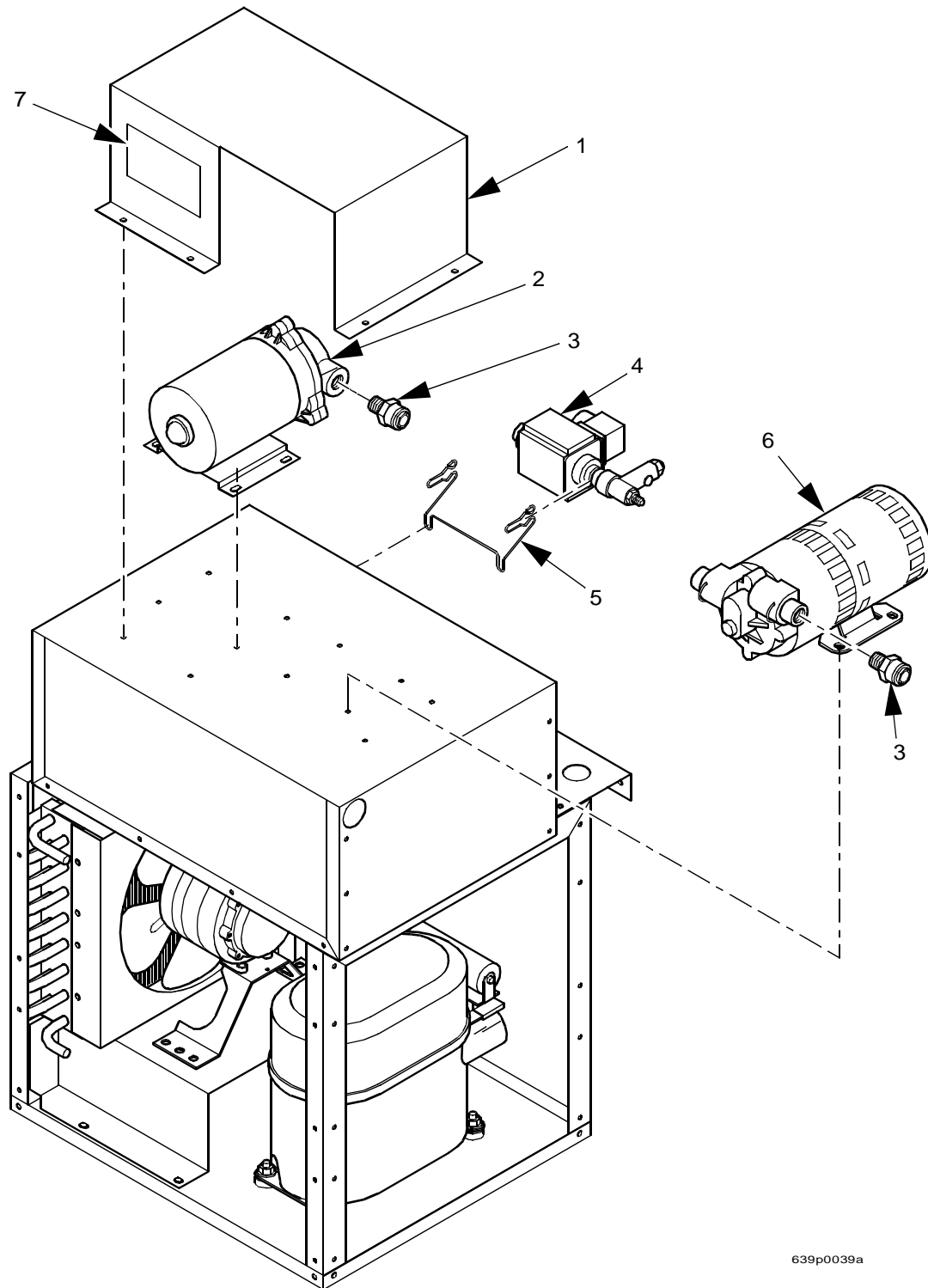


Figure 74. Drycool™ Refrigeration Module - Part 1

EuroTwin Drink Center Parts Manual

TABLE 74. DRYCOOL™ REFRIGERATION MODULE - PART 1

| INDEX | PART NUMBER | DESCRIPTION | QTY. |
|--------------|--------------------|--|-------------|
| - | 6398169 | REFRIGERATION MODULE - DRYCOOL - 230 V - R134A | 1 |
| 1 | 6391044 | COVER - RECIRCULATION PUMP | 1 |
| 2 | 6398093 | PUMP - CARBONATOR - 230V - W/TERM. | 1 |
| 3 | 6398075 | ADAPTOR - 3/8 MPT X 3/8 OD HOSE - 250BX | 4 |
| 4 | 6398167 | PUMP TUBE ASSEMBLY - SYRUP | 2 |
| 5 | 6398081 | CLIP - MOUNTING - RECIRCULATION PUMP | 2 |
| 6 | 6398131 | PUMP - WATER - RECIRCULATION - W/ADAPTERS 230V | 1 |
| 7 | 6398178 | LABEL - TUBING CONNECTIONS | 1 |
| - | 4255331 | FUSE HOLDER ASSEMBLY (NOT SHOWN) | 1 |
| - | 9989473 | FUSE - 1/2 AMP - TIME DELAY | 1 |

EuroTwin Drink Center Parts Manual

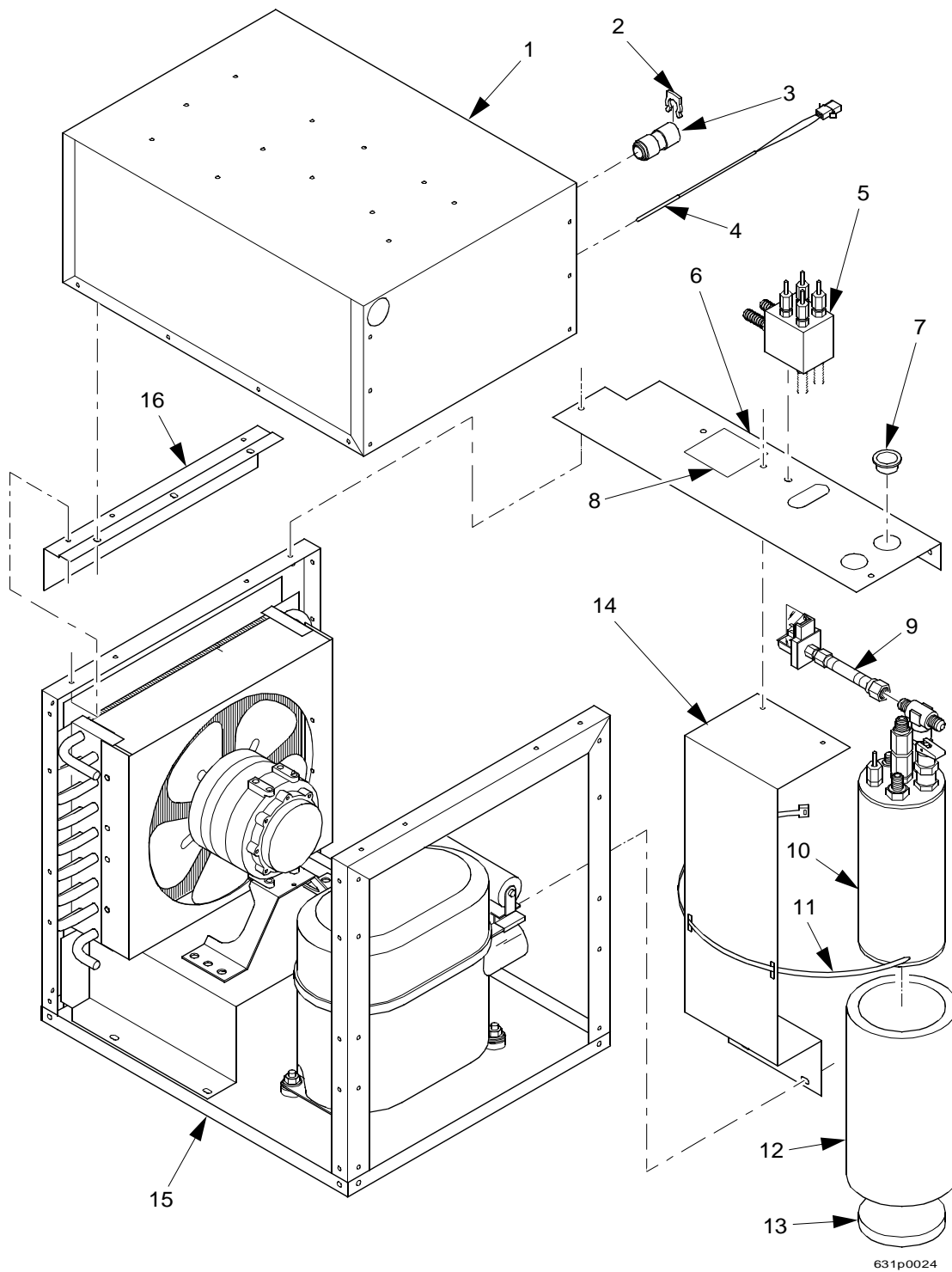


Figure 75. Drycool™ Refrigeration Module - Part 2

EuroTwin Drink Center Parts Manual

TABLE 75. DRYCOOL™ REFRIGERATION MODULE - PART 2

| INDEX | PART NUMBER | DESCRIPTION | QTY. |
|-------|-------------|---|------|
| 1 | 6398174 | EVAPORATOR ASSEMBLY - FOAMED | 1 |
| 2 | 6408143 | LOCKING CLIP-PI-C1812R (USED ON "IN" PORTS) | 4 |
| 3 | 3638147 | FITTING-SUPRSEAL-SSC516380,200BX | 8 |
| 4 | 6394048 | SENSOR-REFRIGERATION | 1 |
| - | 6398181 | CARBONATOR AND BRACKET ASSEMBLY (INCLUDES INDEX NUMBERS 5, 6, 8, AND 10 THROUGH 14) | - |
| 5 | 6398116 | SENSOR/TUBE ASSEMBLY - SYRUP | 1 |
| 6 | 6394056 | BRACKET - CONNECTOR | 1 |
| 7 | 4747042 | BUSHING - OPEN/CLOSED | - |
| 8 | 6398179 | LABEL - SYRUP LINES | 1 |
| 9 | 6398102 | PRESSURE SWITCH ASSEMBLY | 1 |
| 10 | 6398040 | CARBONATOR ASSEMBLY (FIGURE 78) | 1 |
| 11 | 6394060 | CABLE TIE - RELEASABLE - PRT4S-CO | - |
| 12 | 6398041 | INSULATION - CARB - SHELL | 1 |
| 13 | 6398043 | INSULATION - CARB - BOTTOM | 1 |
| 14 | 6394057 | BRACKET - CARBONATOR | 1 |
| 15 | 6398173 | CONDENSING UNIT | 1 |
| 16 | 6394053 | BRACKET - EVAPORATOR MOUNTING | 1 |

EuroTwin Drink Center Parts Manual

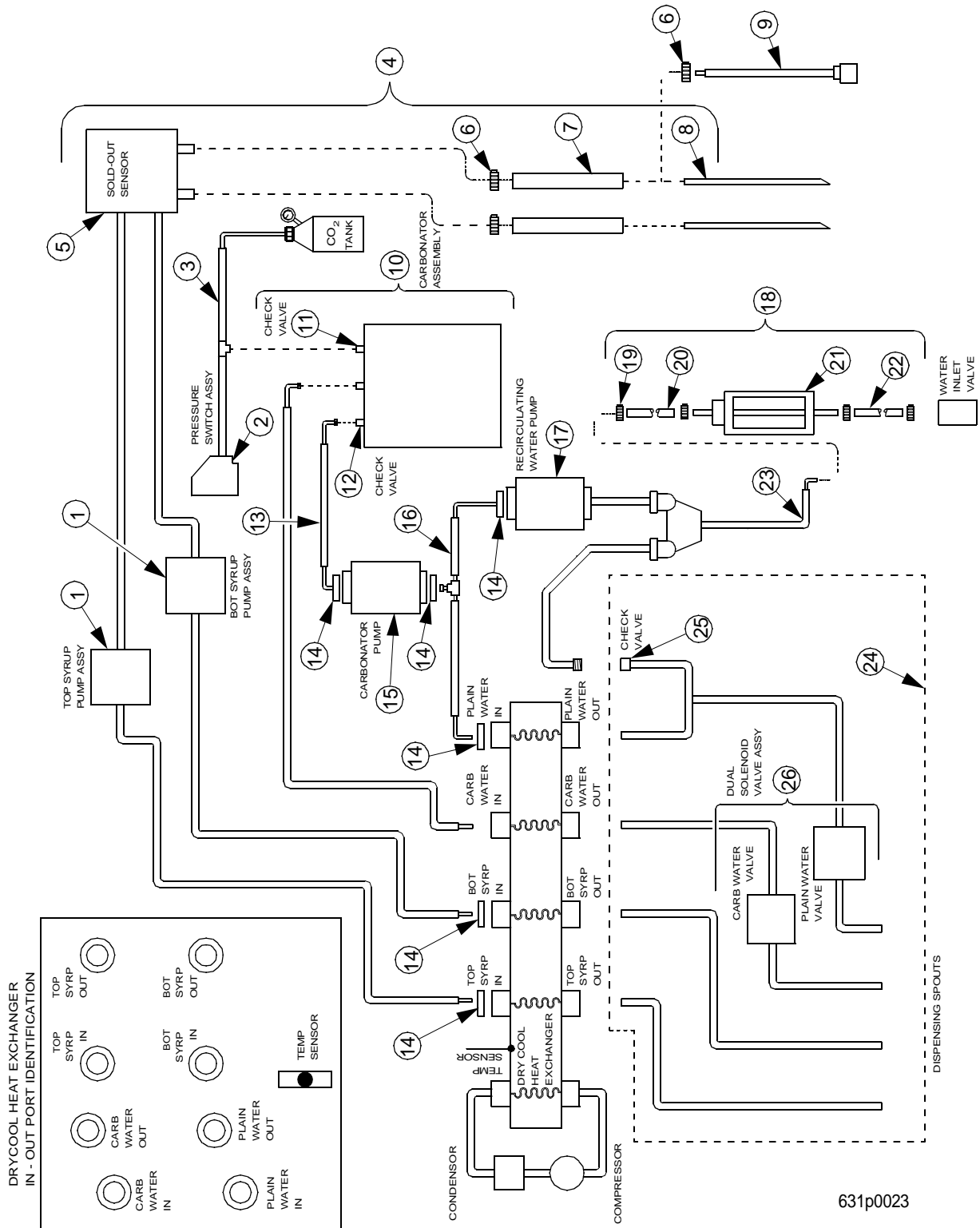


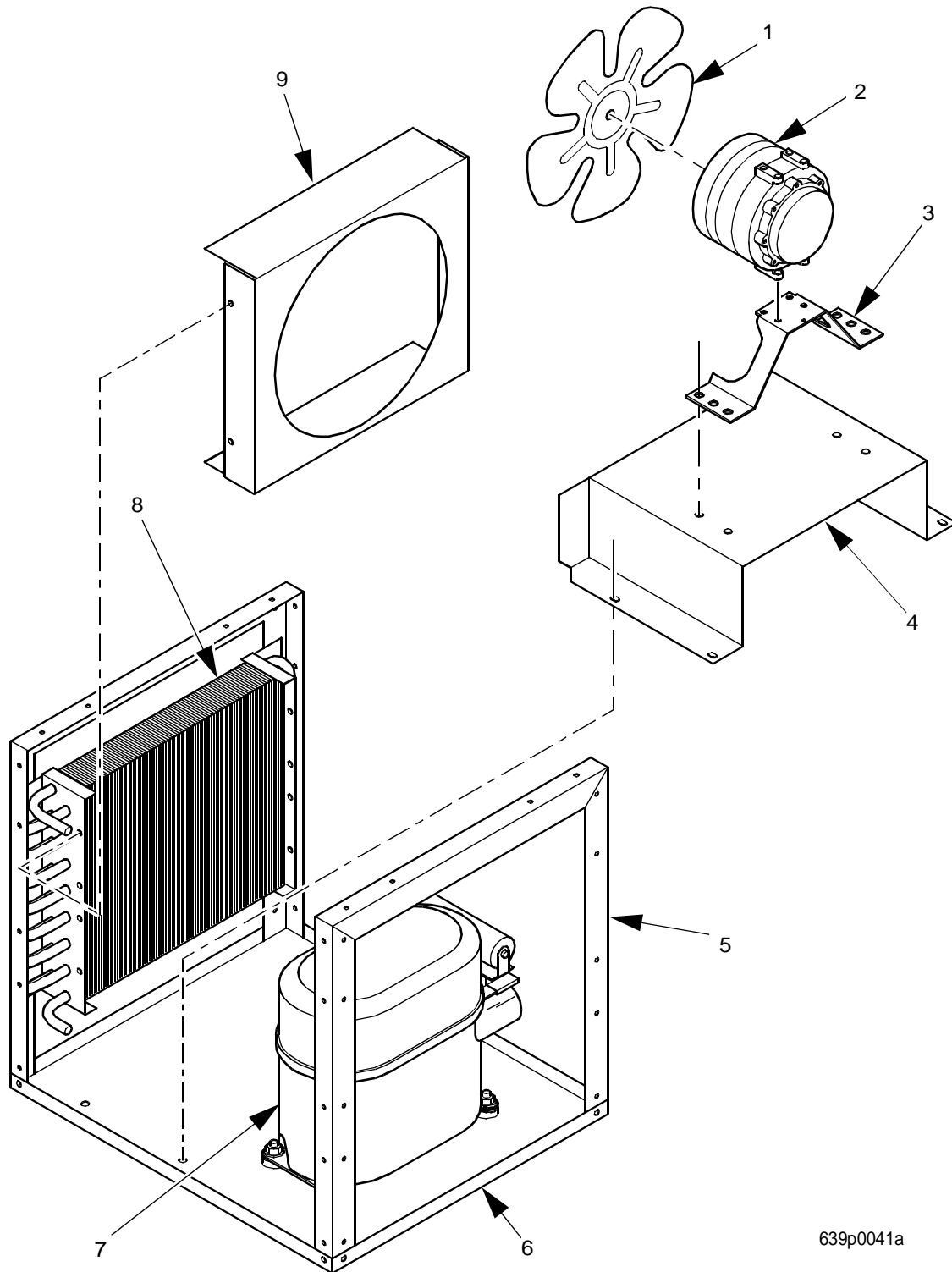
Figure 76. Drycool™ Refrigeration Module - Part 3

EuroTwin Drink Center Parts Manual

TABLE 76. DRYCOOL™ REFRIGERATION MODULE - PART 3

| INDEX | PART NUMBER | DESCRIPTION | QTY. |
|-------|-------------|---|------|
| 1 | 6398167 | PUMP TUBE ASSY-SYRUP | 2 |
| 2 | 6398102 | PRESSURE SWITCH ASSEMBLY | 1 |
| 3 | 6398152 | TUBE ASSY-EVAP OUT-SYRUP2 | 1 |
| 4 | 6398116 | SENSOR/TUBE ASSEMBLY-SYRUP | 1 |
| 5 | 6398037 | SENSOR ASSY-SYRUP SOLD OUT | 1 |
| 6 | 3167103 | CLAMP-OETIKER 12.3 | 2 |
| 7 | 3158035 | TUBING-PLASTIC-"SK"CLEAR | 2 |
| 8 | 6398080 | DIP TUBE-SYRUP TANK-EUROTWIN | 2 |
| 9 | 6398199 | TUBE ASSY-SYRUP-COKE BIB (BIB OPTION ONLY) | 2 |
| 10 | 6398040 | CARBONATOR ASSEMBLY (INCLUDES INDEX NUMBERS 11 AND 12) | REF |
| 11 | 6398143 | CHECK VALVE-0.060 ORIFICE-S.S. | 1 |
| 12 | 6398048 | VALVE-CHECK-DOUBLE-#S470D-4S | 1 |
| 13 | 6398184 | TUBE ASSY-CARB.-INLET/OUTLET | 1 |
| 14 | 6408143 | LOCKING CLIP-PI-C1812R | 6 |
| 15 | 6398093 | PUMP-CARBONATOR-230V-W/TERM. | REF |
| 16 | 6398175 | TUBE ASSY WITH TEE | 1 |
| 17 | 6398198 | PUMP-WATR RECRC-230V,CP17W-4PN | REF |
| 18 | 6398191 | REGULATOR ASSEMBLY-WATER (INCLUDES INDEX NUMBERS 19 THROUGH 22) | 1 |
| 19 | 3154059 | CLAMP-STAINLESS STEEL | 4 |
| 20 | 3618123 | TUBING-U.K.-AQUAVEND-.375 ID (2.25 IN) | 1 |
| 21 | 6398079 | REGULATOR - WATER - 30 PSI | 1 |
| 22 | 3618123 | TUBING-U.K.-AQUAVEND-.375 ID | 1 |
| 23 | 6398190 | TUBE ASSEMBLY-WATER INLET | 1 |
| 24 | 6398176 | CONDUIT ASSY-WATER RECIRC. | 1 |
| 25 | 6398096 | VALVE ASSEMBLY-SOLENOID-DUAL | 1 |

EuroTwin Drink Center Parts Manual



639p0041a

Figure 77. Condensing Unit Detail

EuroTwin Drink Center Parts Manual

TABLE 77. CONDENSING UNIT DETAIL

| INDEX | PART NUMBER | DESCRIPTION | QTY. |
|-------|-------------|---------------------------------------|------|
| 1 | 3608149 | BLADE - CONDENSER FAN | 1 |
| 2 | 3618157 | MOTOR - CONDENSER FAN | 1 |
| 3 | 4744009 | BRACKET - CONDENSER MOTOR | 1 |
| 4 | 6394015 | BAFFLE - AIR INLET | 1 |
| 5 | 6394002 | FRAME - EVAPORATOR SUPPORT | 2 |
| 6 | 6394001 | BASE ASSEMBLY - COOLER | 1 |
| 7 | 6394003 | COMPRESSOR - 230 V - R134A | 1 |
| 8 | 3608236 | CONDENSER | 1 |
| 9 | 6394029 | SHROUD - CONDENSOR FAN - EUROTWIN | 1 |
| - | 4304194 | DRIER (NOT SHOWN) | 1 |
| - | 6394008 | COMPRESSOR COMPONENTS BAG (NOT SHOWN) | 1 |

EuroTwin Drink Center Parts Manual

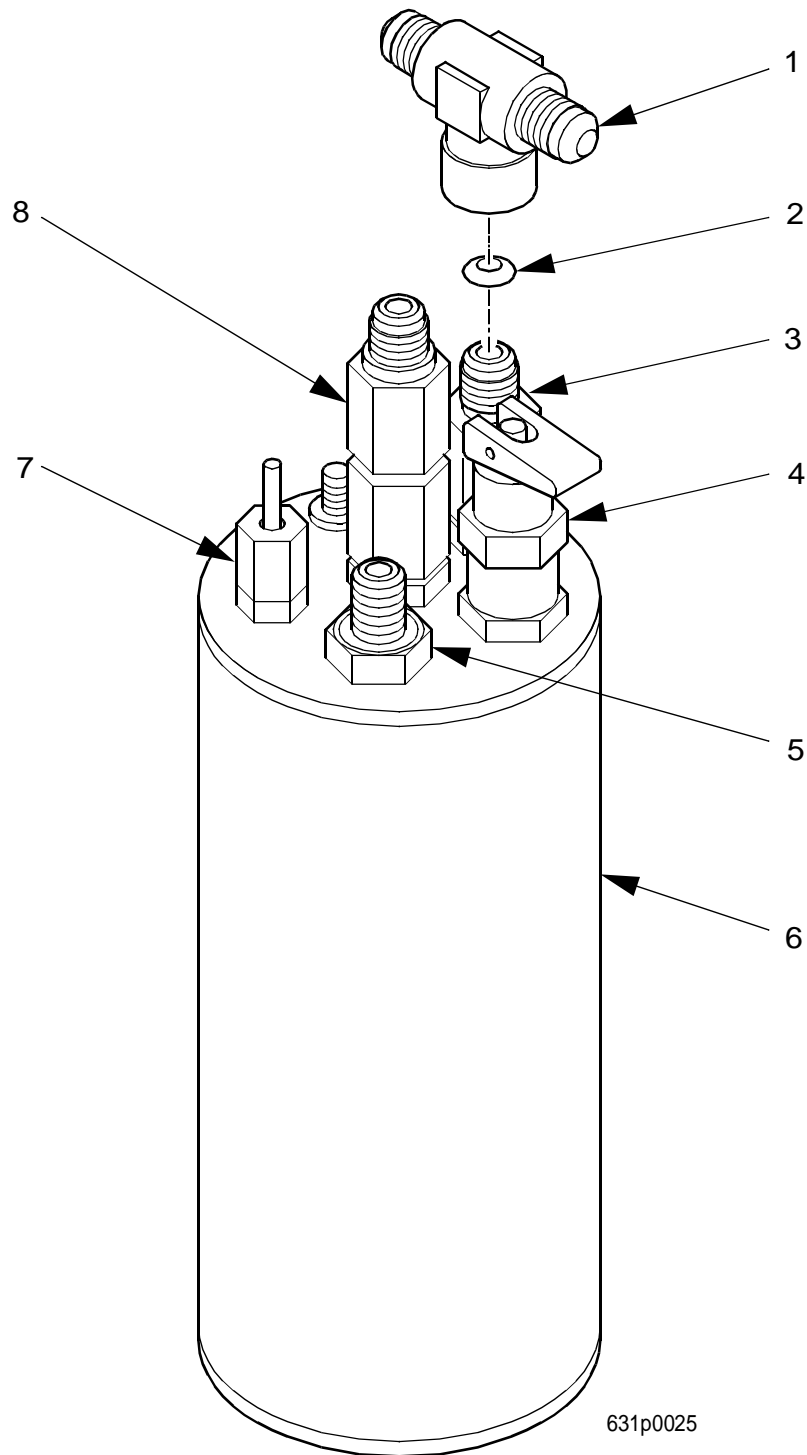


Figure 78. Carbonator Assembly Detail

EuroTwin Drink Center Parts Manual

TABLE 78. CARBONATOR ASSEMBLY DETAIL

| INDEX | PART NUMBER | DESCRIPTION | QTY. |
|-------|-------------|---|------|
| - | 6398040 | CARBONATOR ASSEMBLY | REF |
| 1 | 3167012 | SWITCH - CO ₂ - TEE - MUELLER #A6330 | 1 |
| 2 | 3148178 | WASHER 1/4 SAE FLARE | 1 |
| 3 | 6398143 | CHECK VALVE - 0.060 ORIFICE - S.S. | 1 |
| 4 | 6398049 | VALVE - SAFETY RELIEF - S425-2-150 | 1 |
| 5 | 6398050 | DIP TUBE ASSEMBLY - CARBONATOR | 1 |
| 6 | 6398109 | CARBONATOR - PASSIVATED | 1 |
| 7 | 6398045 | ELECTRODE ASSEMBLY - SHORT | 1 |
| 8 | 6398048 | VALVE - CHECK - DOUBLE - #S470D-4S | 1 |

EuroTwin Drink Center Parts Manual

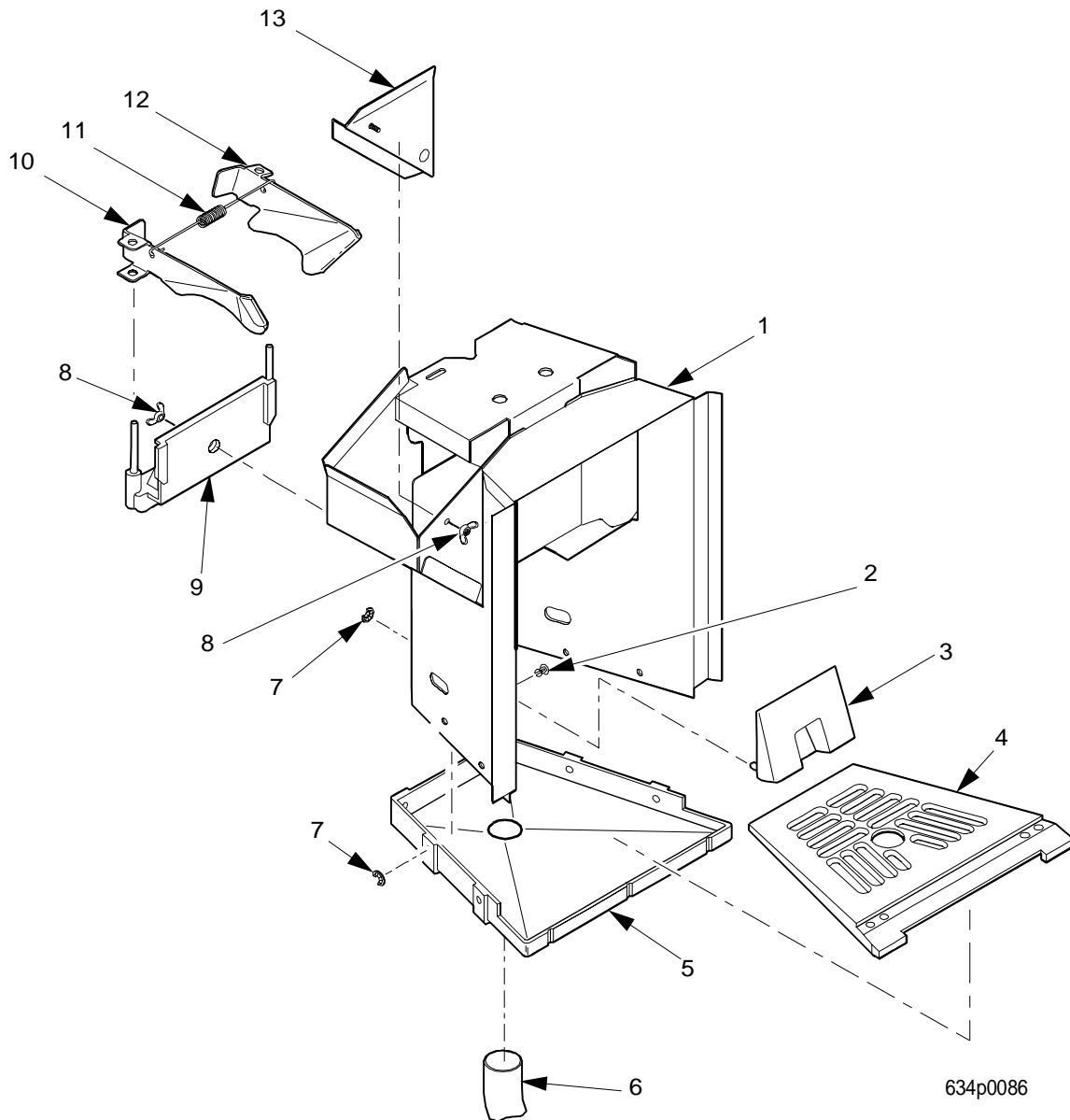


Figure 79. Cup Station Assembly - Part 1

EuroTwin Drink Center Parts Manual

TABLE 79. CUP STATION ASSEMBLY - PART 1

| INDEX | PART NUMBER | DESCRIPTION | QTY |
|-------|-------------|--|-----|
| A | 6261409 | CUP DELIVERY ASSEMBLY- UK, CHILE, LATIN AMERICA (INCLUDES INDEX 1A, 2 - 9, 10A, 11, 12A AND 13) | 1 |
| B | 6261413 | CUP DELIVERY ASSY-FINAL-GERMAN (INCLUDES INDEX 1B, 2 - 9, 10A, 11, 12A AND 13) | |
| C | 6361044 | CUP STATION-FRENCH (FREEZE DRY) (INCLUDES INDEX 1C, 2 - 9, 10B, 11, 12B AND 13, PLUS INDEX 1&2, (FIGURE 80)) | |
| 1A | 6261421 | WELD ASSY-CUP DELIVERY | 1 |
| 1B | 6261415 | WELD ASSY-CUP DELIVERY-GERMAN | |
| 1C | 6361047 | WELD ASSY-CUP DELIVERY-FRENCH | |
| 2 | 6231492 | PUSH-IN FASTENER-CUP DELIVERY | 6 |
| 3 | 6231443 | CUP SPACER/SENSOR LENS | 1 |
| 4 | 6231432 | DRAIN TRAY-CUP DEL.COMP. | 1 |
| 5 | 6231489 | BASE-CUP DELIVERY STATION | 1 |
| 6 | 6231430 | TUBE-DRAIN | 1 |
| 7 | 6231431 | RETAINER-.188-CUP DEL. | 6 |
| 8 | 3103133 | WING NUT-#8-32 STAINLESS | 2 |
| 9 | 6231488 | MOUNTING ASSY-CUP DEFLECTOR | 1 |
| 10A | 6231439 | CUP DEFLECTOR-L.H. | 1 |
| 10B | 6361032 | CUP DEFLECTOR-LEFT HAND | 1 |
| 11 | 6231495 | SPRING-CUP DEFLECTOR | 1 |
| 12A | 6231438 | CUP DEFLECTOR-R.H. | 1 |
| 12B | 6361026 | CUP DEFLECTOR-R.H. | 1 |
| 13 | 6231411 | CHUTE ADAPTOR ASSY-LH-FOR. | 1 |

EuroTwin Drink Center Parts Manual

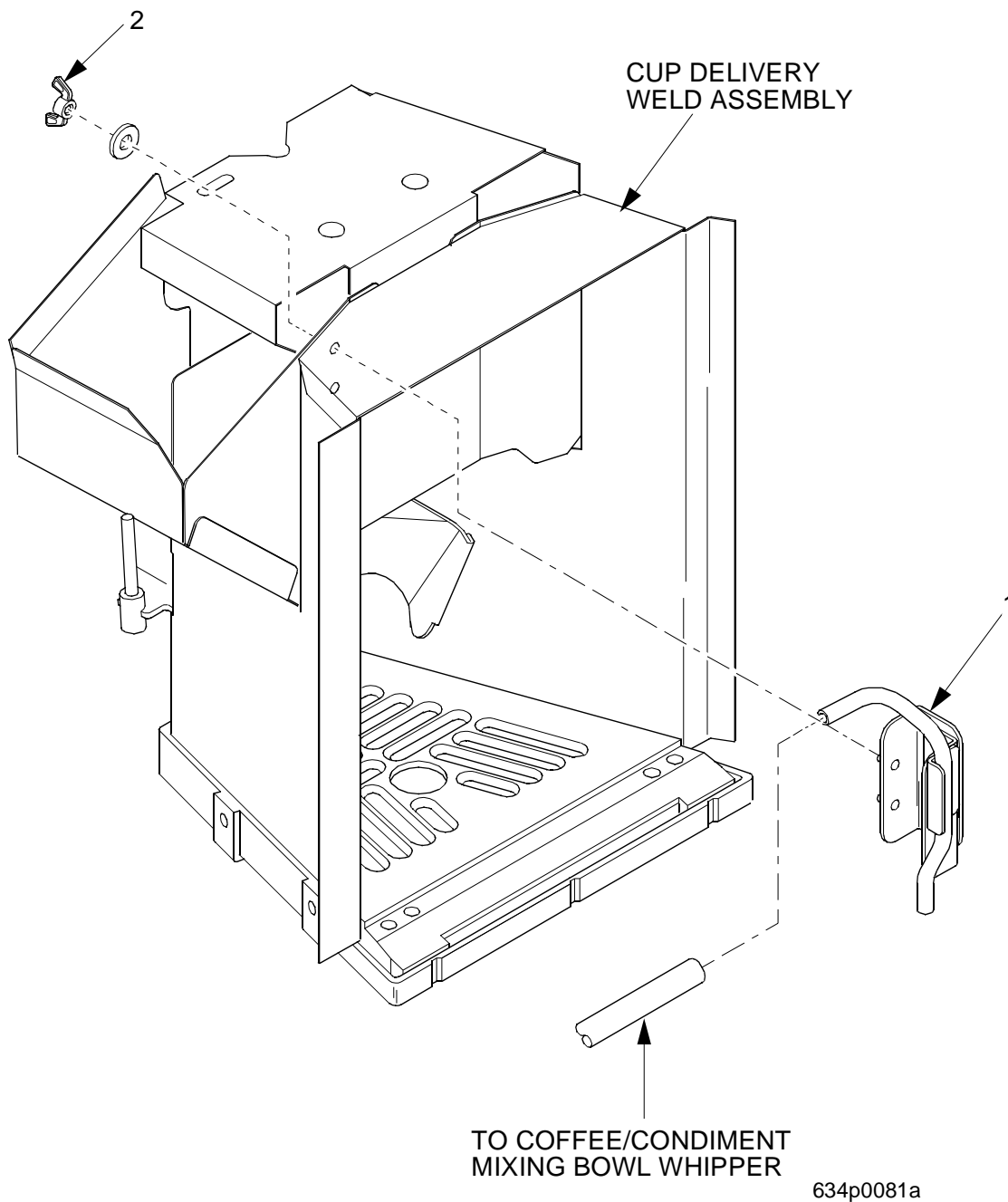


Figure 80. Cup Station Assembly - Part 2

EuroTwin Drink Center Parts Manual

TABLE 80. CUP STATION ASSEMBLY - PART 2

| INDEX | PART NUMBER | DESCRIPTION | QTY |
|--------------|--------------------|---|------------|
| 1 | 6361048 | ASSEMBLY-SPOUT TUBE (NESTLE OPTION ONLY) | 1 |
| 2 | 3103133 | WING NUT-#8-32 STAINLESS (NESTLE OPTION ONLY) | 2 |

EuroTwin Drink Center Parts Manual

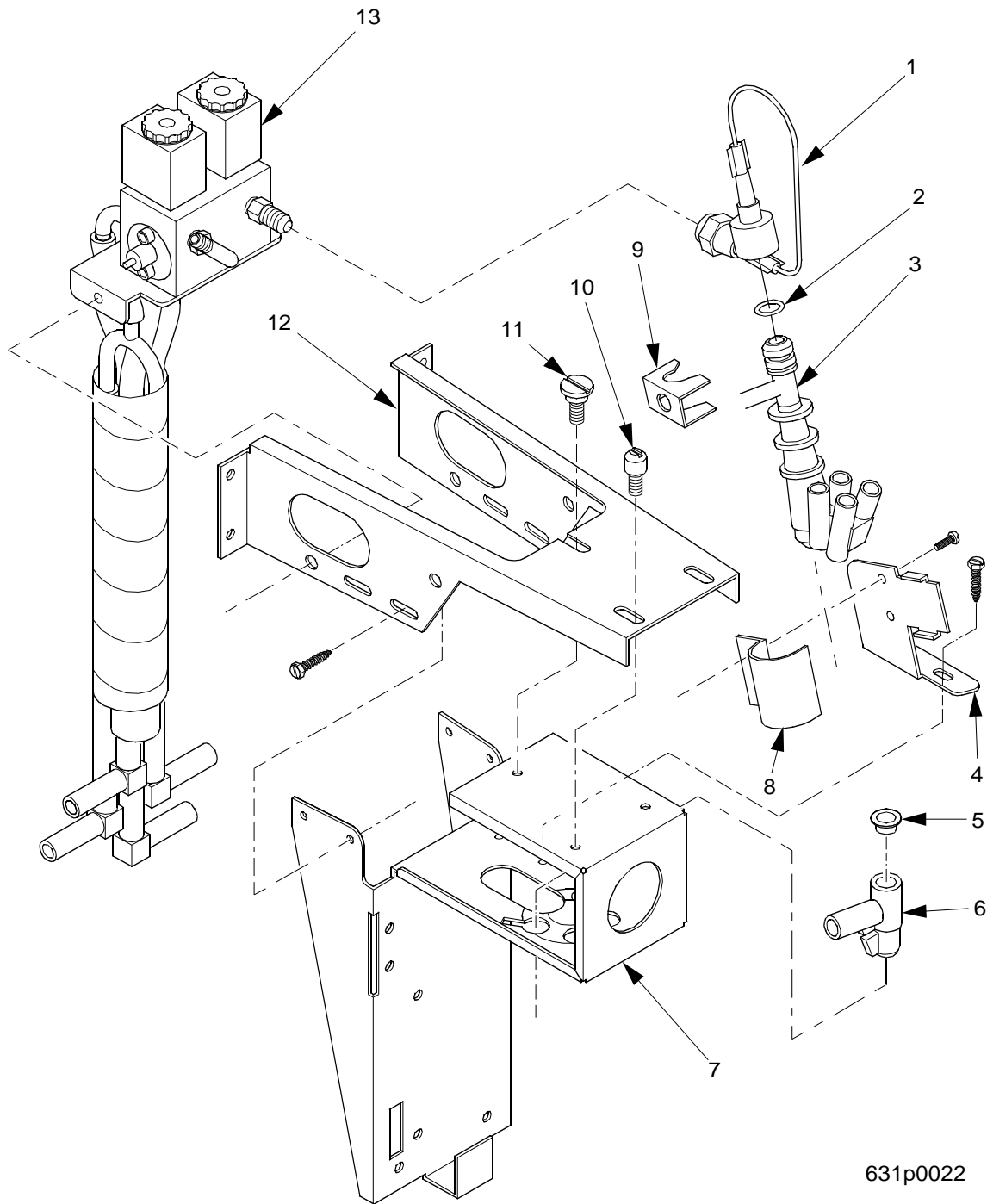


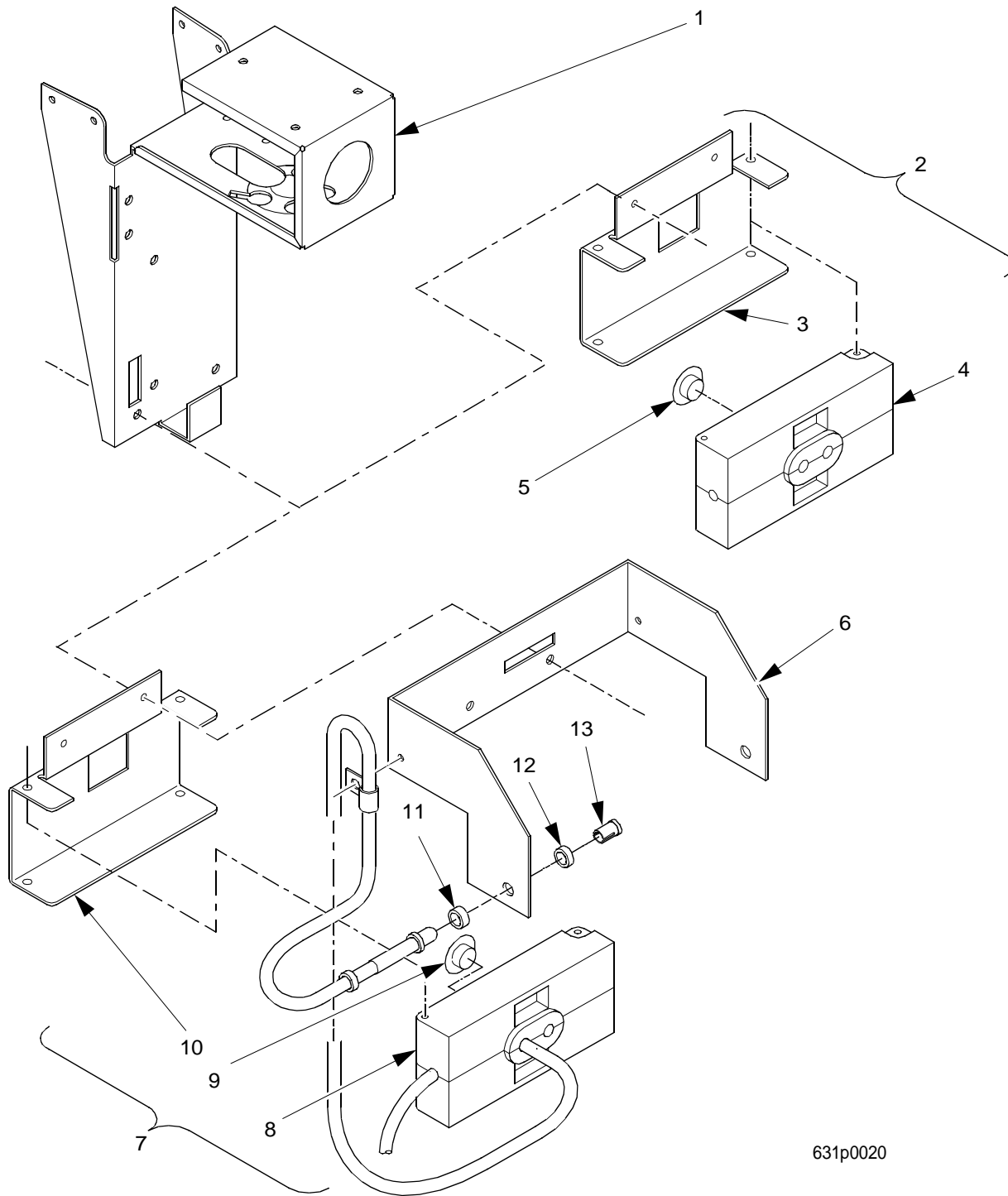
Figure 81. Cup Station Support/Tube & Nozzle Assembly

EuroTwin Drink Center Parts Manual

TABLE 81. CUP STATION SUPPORT/TUBE & NOZZLE ASSEMBLY

| INDEX | PART NUMBER | DESCRIPTION | QTY. |
|--------------|--------------------|---|-------------|
| - | 6398180 | TUBE AND NOZZLE ASSEMBLY | REF |
| 1 | 6398137 | TUBE ASSY-CAP.-EURO | 1 |
| 2 | 3128127 | O-RING-WATER NOZZLE #013-7077 | 1 |
| 3 | 3638070 | HOLDER/SPOUT & "O" RING ASSEMBLY | 1 |
| 4 | 3631061 | BRACKET - NOZZLE - COLD DRINK | 1 |
| 5 | 4711020 | CAPLUG - SPOUT - NATRL (NOT PART OF ASSEMBLY) | OPT. |
| 6 | 6117010 | SPOUT - DISPENSING (NOT PART OF ASSEMBLY) | OPT. |
| 7 | 6398135 | BRACKET - CUP STATION - EUROTWIN | 1 |
| 8 | 3617008 | CLAMP - NOZZLE | 1 |
| 9 | 3128138 | CLIP - WATER NOZZLE | 1 |
| 10 | 4041102 | STUD-COLUMN LOCATOR | 2 |
| 11 | 4247204 | STUD - STORAGE TRAY | 1 |
| 12 | 6398136 | SUPPORT - CUP STATION - EUROTWIN | 1 |
| 13 | 6398176 | CONDUIT ASSY-WATER RECIRC. | 1 |
| - | 6398096 | VALVE ASSEMBLY-SOLENOID-DUAL (PART OF INDEX # 13) | REF |
| - | 6398066 | VALVE-CHECK-SINGLE-#S470-44 (PART OF INDEX # 13) | REF |

EuroTwin Drink Center Parts Manual



631p0020

Figure 82. Mug Sensor Options

EuroTwin Drink Center Parts Manual

TABLE 82. MUG SENSOR OPTIONS

| INDEX | PART NUMBER | DESCRIPTION | QTY. |
|-------|-------------|--|----------|
| - | - | STANDARD MUG SWITCH OPTION (INCLUDES INDEX # 2) | REF |
| | | TRANSMISSIVE MUG SWITCH OPTION - GERMANY (INCLUDES INDEX #S 6, 7, AND 11 - 13) | |
| 1 | 6398135 | BRACKET-CUP STATION-EUROTWIN | REF |
| 2 | 6231536 | MUG SENSOR & BRACKET ASSEMBLY (INCLUDES INDEX NUMBERS 3 - 5) | 1 OPT |
| 3 | 6231539 | BRACKET-CUP SENSOR | 1 OPT |
| 4 | 6231537 | SENSOR ASSEMBLY-MUG | 1 OPT |
| 5 | 9989641 | CAPLUG-3/8"-FLUSH TYPE | 1 OPT |
| 6 | 6231558 | BRACKET-LED | 1 OPT |
| 7 | 6231540 | MUG SW & BRKT ASSY-TRANSMISSIVE (INCLUDES INDEX NUMBERS 8 - 10) | 1 OPT |
| 8 | 6231557 | MUG SENSOR ASSY-TRANSMISSIVE | 1 OPT |
| 9 | 9989641 | CAPLUG-3/8"-FLUSH TYPE | 1 OPT |
| 10 | 6231539 | BRACKET-CUP SENSOR | 1 OPT |
| 11 | 9989643 | LED LOCKING RING(RNG 268) | 2 OPT |
| 12 | 9989644 | SPACER-LED LENS(SPC-125) | 2 OPT |
| 13 | 9989642 | LENS-LED(CR301-RED) | 2 OPT |

EuroTwin Drink Center Parts Manual

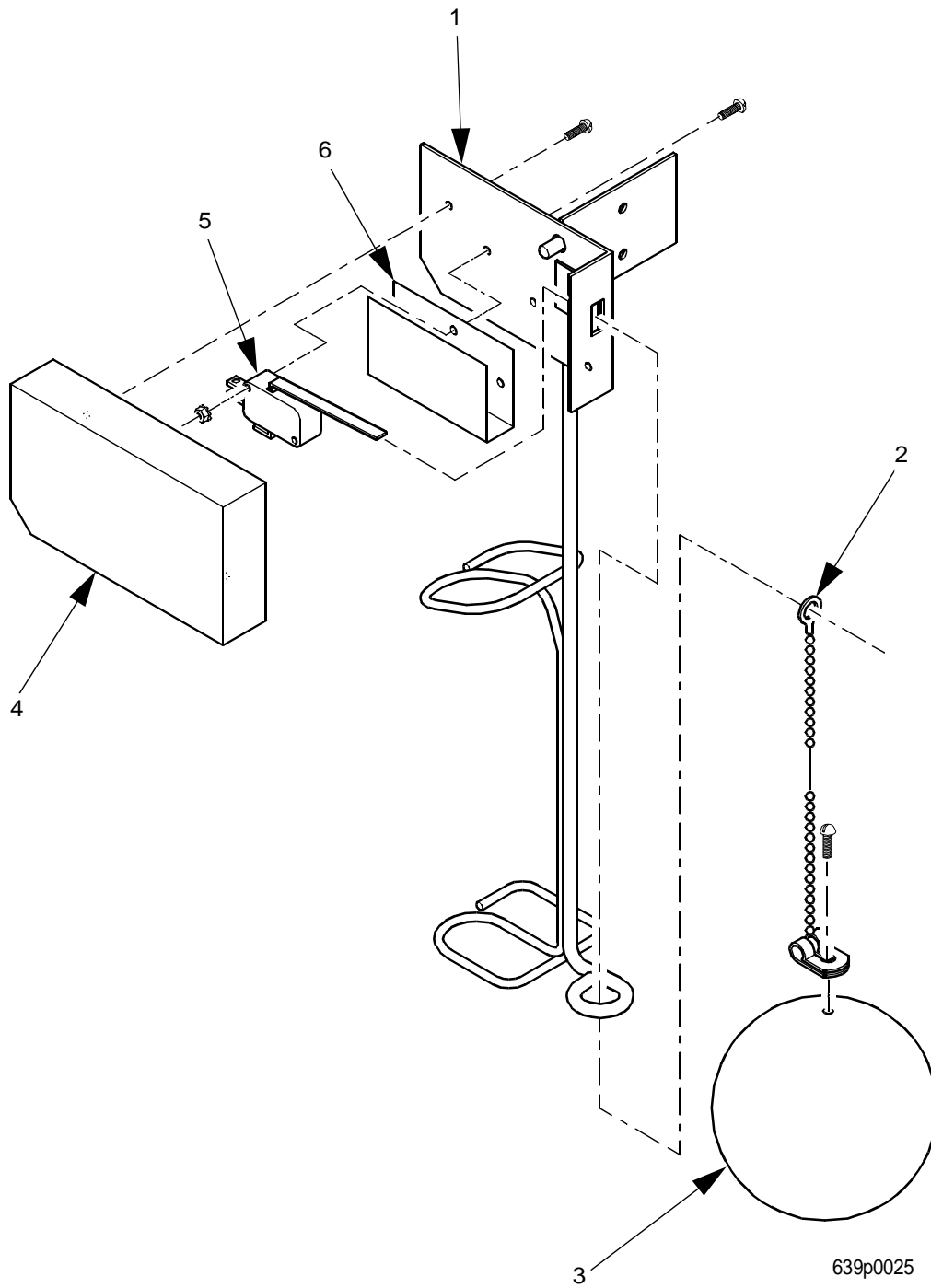


Figure 83. Overflow Switch Assembly

EuroTwin Drink Center Parts Manual

TABLE 83. OVERFLOW SWITCH ASSEMBLY

| INDEX | PART NUMBER | DESCRIPTION | QTY |
|--------------|--------------------|---|------------|
| - | 6231223 | OVERFLOW SWITCH ASSEMBLY (INDEX NUMBERS 2 AND 7 NOT INCLUDED) | REF |
| 1 | 6231507 | BRACKET ASSEMBLY - OVERFLOW SWITCH | 1 |
| 2 | 6151131 | CHAIN - OVERFLOW SWITCH | 1 |
| 3 | 3116127 | FLOAT - OVERFLOW SWITCH | 1 |
| 4 | 6231135 | COVER - OVERFLOW SWITCH | 1 |
| 5 | 2304108 | SWITCH LEVER V3L -131-D8 | 1 |
| 6 | 3121150 | INSULATION - OVERFLOW SWITCH | 1 |

EuroTwin Drink Center Parts Manual

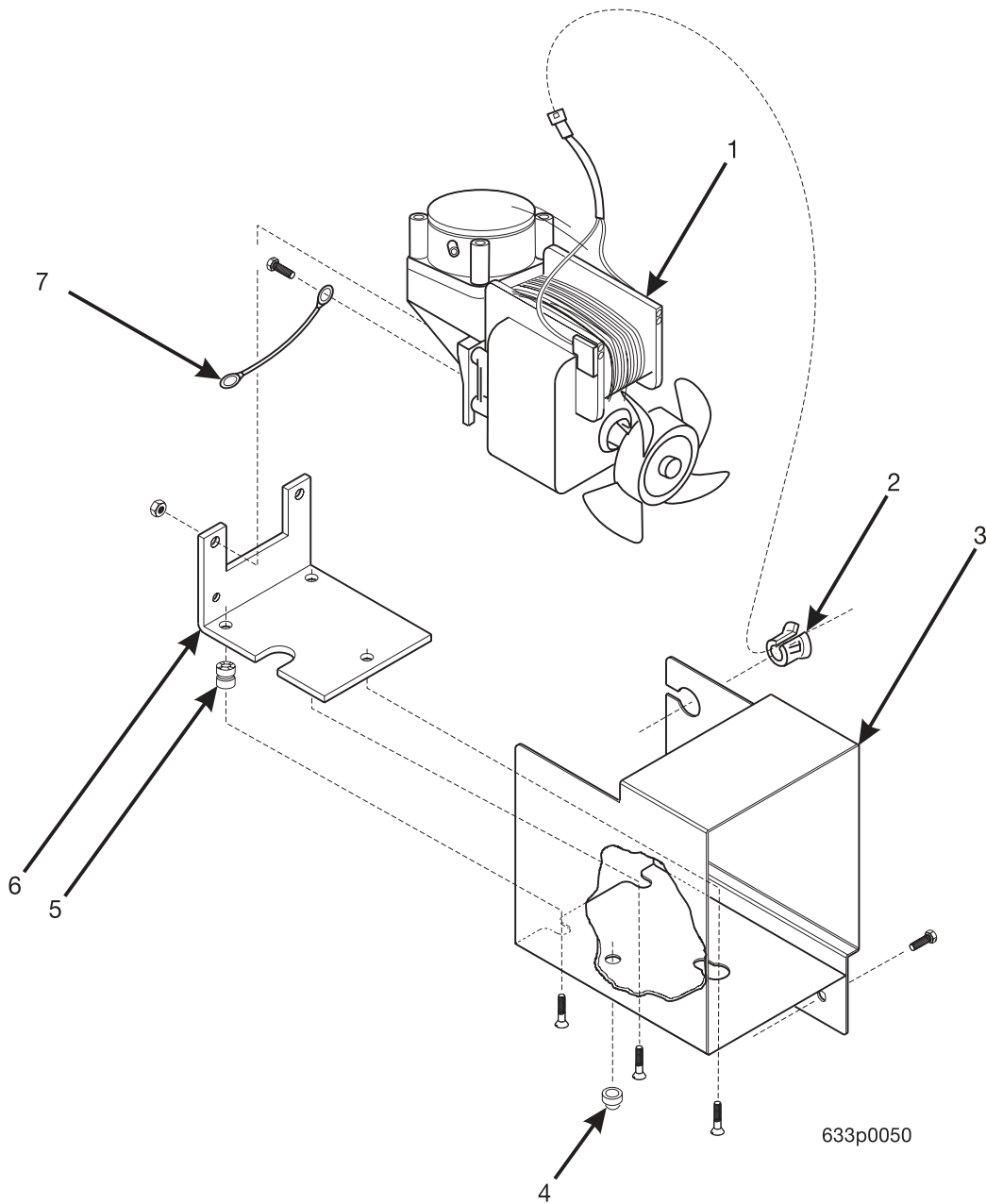


Figure 84. Air Compressor Assembly

EuroTwin Drink Center Parts Manual

TABLE 84. AIR COMPRESSOR ASSEMBLY

| INDEX | PART NUMBER | DESCRIPTION | QTY |
|--------------|--------------------|------------------------------------|------------|
| - | 6334000 | AIR COMPRESSOR ASSEMBLY - 230 V | 1 |
| 1 | 6334010 | AIR COMPRESSOR - BREWER - 230 V | 1 |
| 2 | 3502907 | BUSHING #OCB-500 | 1 |
| 3 | 6334008 | COVER - AIR COMPRESSOR | 1 |
| 4 | 6231319 | BUMPER - PLUG | 1 |
| 5 | 6237205 | VIBRATION ISOLATOR - .250 DIAMETER | 3 |
| 6 | 6334009 | BRACKET - AIR COMPRESSOR | 1 |
| 7 | 9984094 | GROUND WIRE - GROUND | 1 |

EuroTwin Drink Center Parts Manual

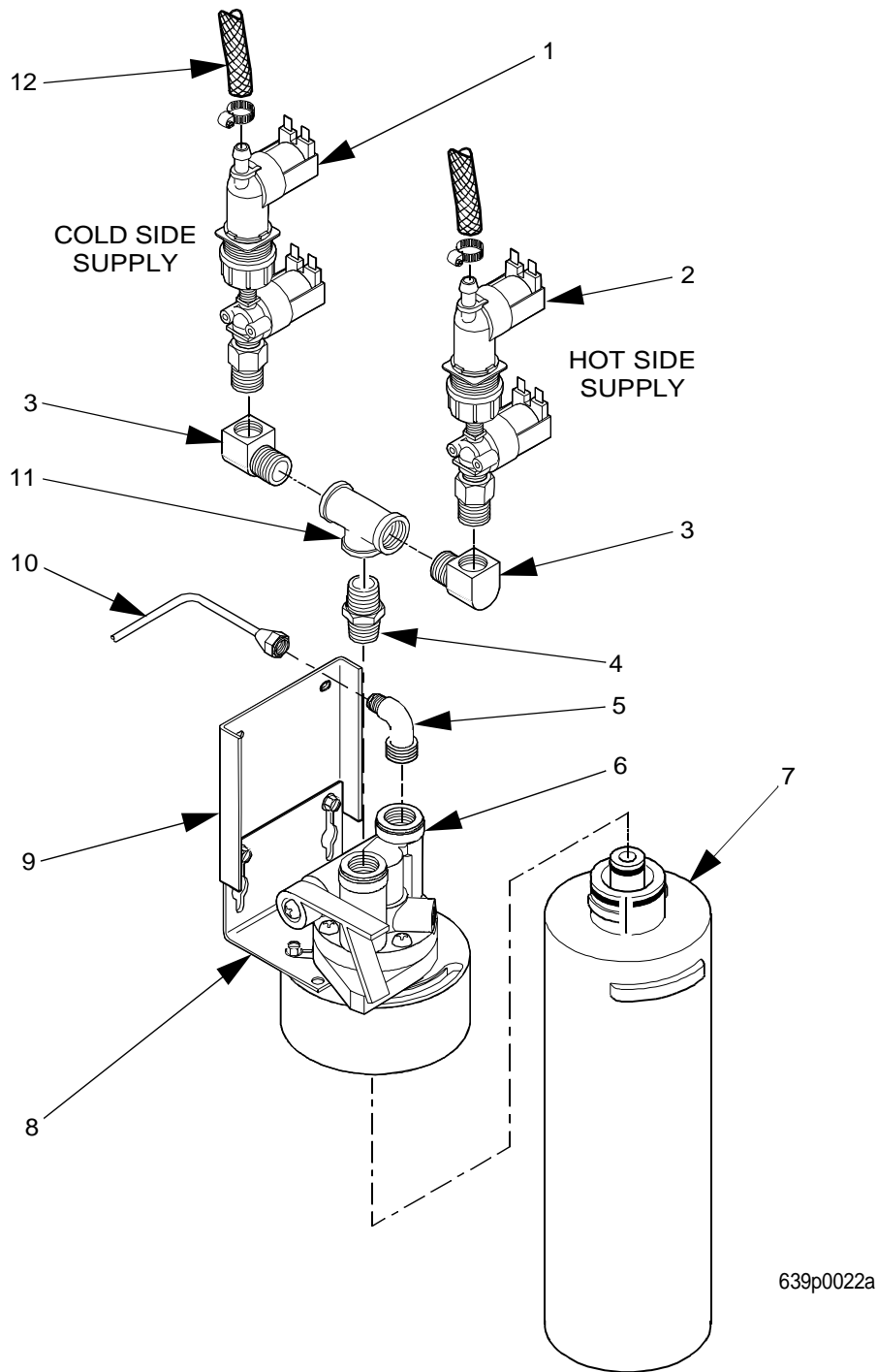


Figure 85. Water Supply - With Everpure Water Filter

EuroTwin Drink Center Parts Manual

TABLE 85. WATER SUPPLY - WITH EVERPURE WATER FILTER

| INDEX | PART NUMBER | DESCRIPTION | QTY. |
|--------------|--------------------|--|-------------|
| 1 | 6407002 | WATER VALVE-INLET-230VAC-50HZ | 1 |
| 2 | 6408003 | VALVE ASSEMBLY - WATER INLET | 2 |
| 3 | 6508103 | STREET ELBOW - ANDERSON | 2 |
| 4 | 3608201 | NIPPLE - 3/8 NPTF - HEX #216P-6 | 1 |
| 5 | 3128150 | ELBOW - MALE COUPLINGS | 1 |
| 6 | 3158022 | HEAD - WATER FILTER - 9267-12 QC4 | 1 |
| 7 | 6118071 | CARTRIDGE - WATER - FILTER - EVERPURE | 1 |
| 8 | 3158023 | BRACKET - MOUNTING - WATER FILTER #3046-44 | 1 |
| 9 | 6231142 | PLATE - WATER FILTER | 1 |
| 10 | 6348001 | TUBING-INLET-W/FILTER OPT | 1 |
| 11 | 3618121 | TEE - 3/8 - BRASS COUPLINGS #101E | 1 |
| 12 | 6318123 | TUBING - UK - AQUAVEND - .375 I.D. | A/R |

EuroTwin Drink Center Parts Manual

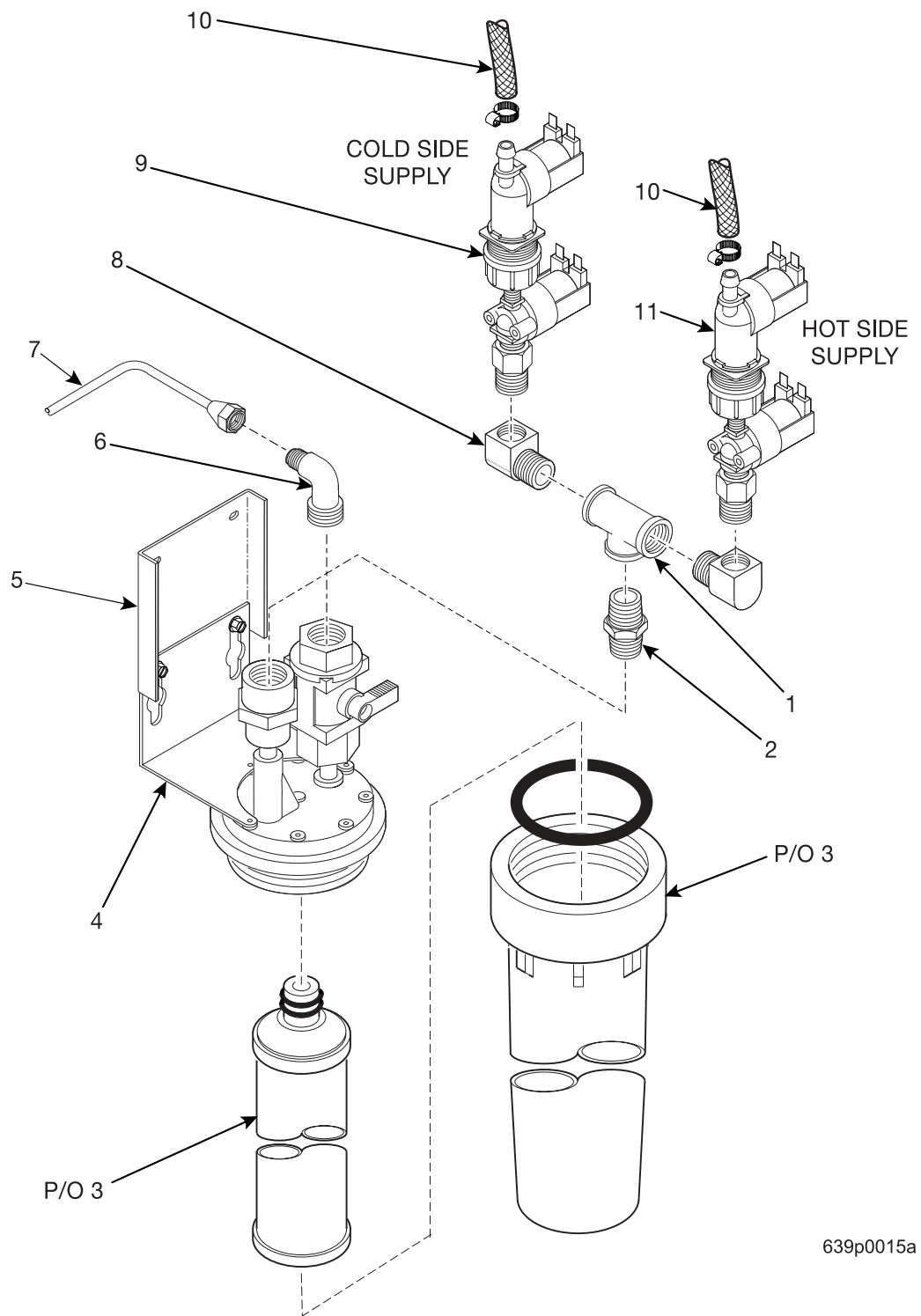


Figure 86. Water Supply - With Hydrolife Water Filter

EuroTwin Drink Center Parts Manual

TABLE 86. WATER SUPPLY - WITH HYDROLIFE WATER FILTER

| INDEX | PART NUMBER | DESCRIPTION | QTY. |
|--------------|--------------------|------------------------------------|-------------|
| 1 | 3618121 | TEE - 3/8 - BRASS COUPLINGS #101 | 1 |
| 2 | 3608201 | NIPPLE - 3/8 NPTF - HEX #216P-6 | 1 |
| 3 | 6408028 | HOUSING,CARTRIDGE,"O"RING | 1 |
| 4 | 6338027 | HEAD - BRACKET ASSEMBLY | 1 |
| 5 | 6231142 | PLATE-WATER FILTER | 1 |
| 6 | 3128150 | ELBOW - MALE COUPLINGS | 1 |
| 7 | 6348001 | TUBING-INLET-W/FILTER OPT | 1 |
| 8 | 6508103 | STREET ELBOW - ANDERSON | 2 |
| 9 | 6407002 | WATER VALVE-INLET-230VAC-50HZ | 1 |
| 10 | 6318123 | TUBING - UK - AQUAVEND - .375 I.D. | A/R |
| 11 | 6408003 | VALVE ASSEMBLY - WATER INLET | 2 |

EuroTwin Drink Center Parts Manual

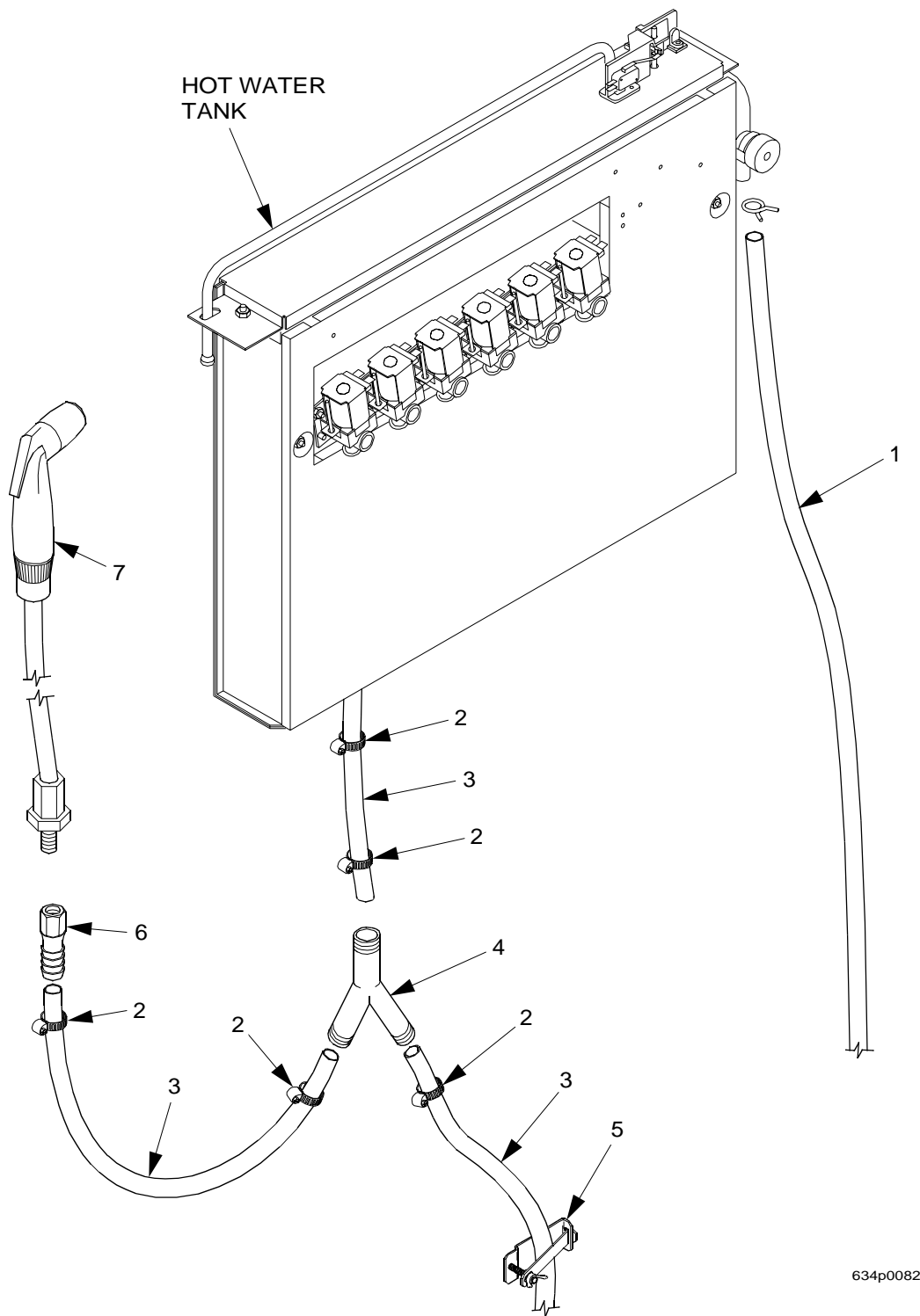


Figure 87. Spray Hose and Hot Water Tank Overflow

EuroTwin Drink Center Parts Manual

TABLE 87. SPRAY HOSE AND HOT WATER TANK OVERFLOW

| INDEX | PART NUMBER | DESCRIPTION | QTY |
|-------|-------------|---|-----|
| 1 | 6238090 | TUBING-13/16 OD X 5/8 ID BLK (64 IN LONG) - 115 V | 1 |
| | | TUBING-13/16 OD X 5/8 ID BLK (64 IN LONG) - 230 V | 2 |
| 2 | 6158063 | CLAMP HOSE | - |
| 3 | 6338021 | TUBING-SILICONE-.375 IDX.562 OD | A/R |
| 4 | 6158007 | Y CONNECTOR-1/2 OD X 3/8 ID | 1 |
| 5 | 6408154 | PINCH CLAMP ASSEMBLY | 1 |
| 6 | 6338059 | FITTING-PARKER #126HBL-6-2 .125 NPT X .375 BARB | 1 |
| 7 | 6338060 | SPRAY HOSE-48" | 1 |

EuroTwin Drink Center Parts Manual

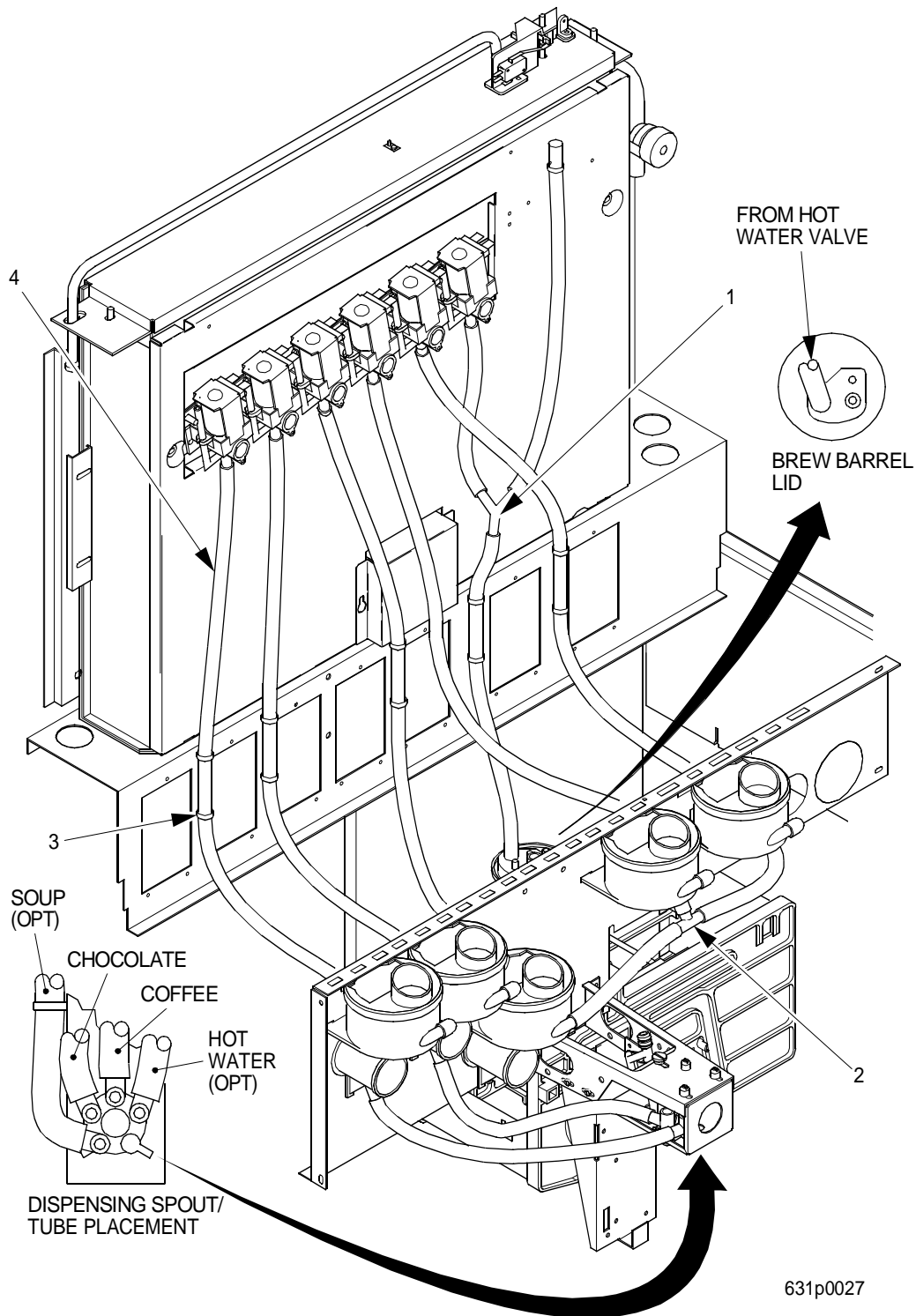


Figure 88. Liquid Distribution System - Fresh Brew - Part 1

EuroTwin Drink Center Parts Manual

TABLE 88. LIQUID DISTRIBUTION SYSTEM - FRESH BREW - PART 1

| INDEX | PART NUMBER | DESCRIPTION | QTY |
|--------------|--------------------|-------------------------------|------------|
| 1 | 3017006 | SYRUP TUBE TEE SPLICE | 1 |
| 2 | 6237164 | "T"-CONN.-1/2"O.D. X 3/8"I.D. | - |
| 3 | 6237099 | CLAMP-TUBE | * |
| 4 | 6338021 | TUBING-SILICONE-.375 IDX.562 | A/R |

*** 2 PER VALVE ASSEMBLY**

EuroTwin Drink Center Parts Manual

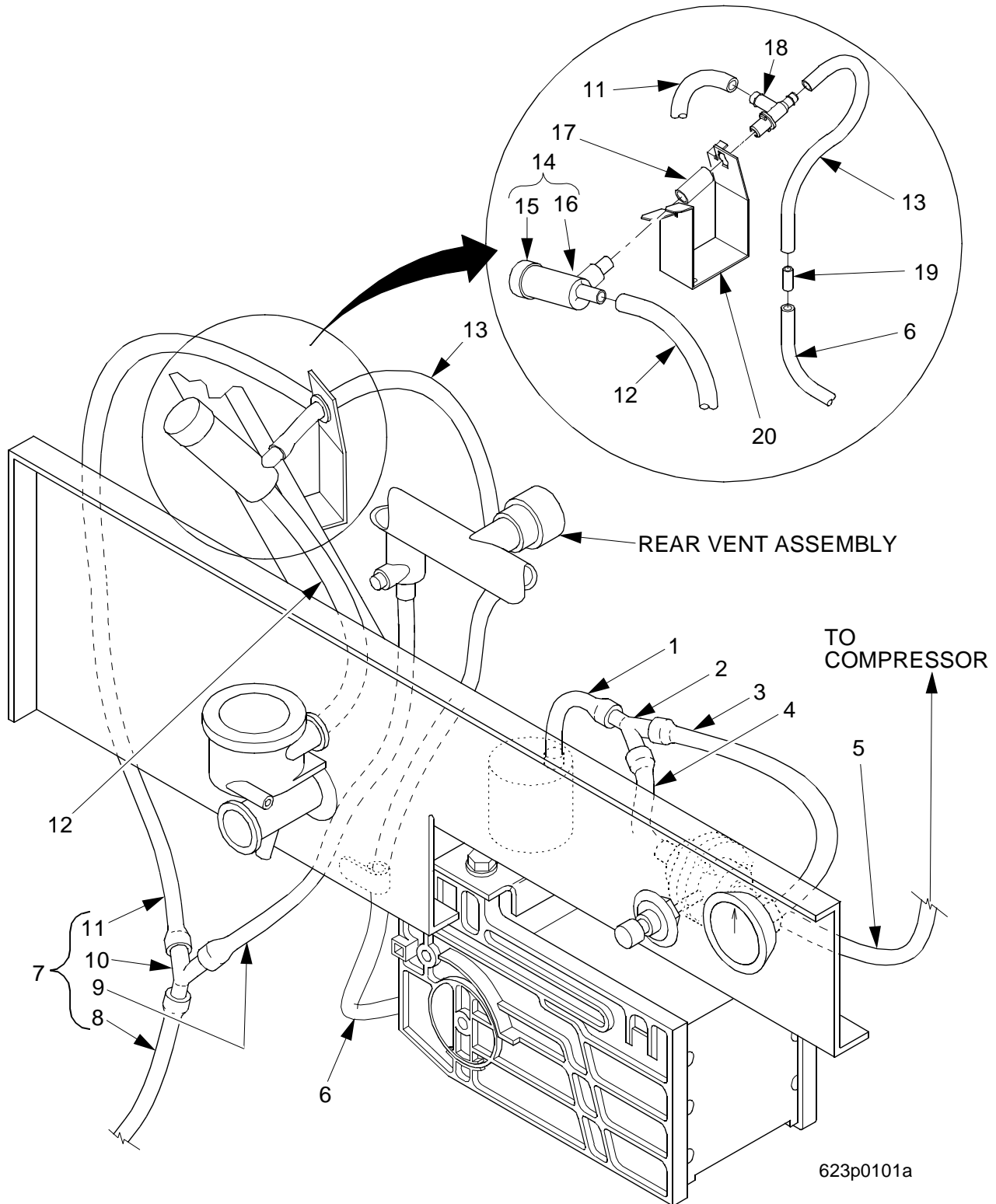


Figure 89. Liquid Distribution System - Fresh Brew - Part 2

EuroTwin Drink Center Parts Manual

TABLE 89. LIQUID DISTRIBUTION SYSTEM - FRESH BREW - PART 2

| INDEX | PART NUMBER | DESCRIPTION | QTY. | BULK PART NUMBER |
|-------|-------------|--|------|------------------|
| 1 | - | TUBE - 6208036 - 4.5" LG | 1 | 6338021 |
| 2 | 3017006 | SYRUP TUBE TEE SPLICE | 1 | - |
| 3 | - | 6108097 TUBE 10.0 | 1 | 6338021 |
| 4 | - | 6108098 TUBE 7.0 LONG | 1 | 6208037 |
| 5 | - | TUBE - .44 O.D. X .25 I.D. X 17" LONG | 1 | 6208037 |
| 6 | - | 61080970 TUBE 6108097 | 1 | 6208037 |
| 7 | 6238038 | TUBE AND Y ASSEMBLY (INCLUDES INDEX NUMBERS 8 AND 10 THROUGH 12) | 1 | - |
| 8 | - | TUBE - .56 X .37 X 10.0 | 1 | 6338021 |
| 9 | 6237037 | 61080970 TUBE 9.5 LONG | 1 | 6338021 |
| 10 | 6158007 | Y CONNECTOR - 3/8 OD 1/4 ID | 1 | - |
| 11 | - | TUBE .56 X .37 X 18.0 | 1 | 6338021 |
| 12 | - | TUBE - 4.25" LONG | 1 | 6338021 |
| 13 | - | TUBE - 6108097 - 12.5" LG | 1 | 6338021 |
| 14 | 6337018 | CHAMBER ASSEMBLY - EXPANSION (INCLUDES INDEX NUMBERS 13, 16, 17, 18) | 1 | - |
| 15 | 6237347 | VINYL CAP - 1.00 ID . 50 LG | 1 | - |
| 16 | 6237316 | VENT AND ADAPTER ASSEMBLY | 1 | - |
| 17 | 6237134 | TUBE - .38 I.D. X .56 O.D. X 1.25" LONG | 1 | 6338021 |
| 18 | 6237311 | FLOW RESTICTOR | 1 | - |
| 19 | 3638079 | FITTING - BARBED - #5/16 X 3/8 | 1 | - |
| - | 3102491 | CLAMP - WIRE (NOT SHOWN) | 1 | - |
| 20 | 6337017 | BRACKET - FLOW RESTRICTOR - FRESH BREW | 1 | - |

EuroTwin Drink Center Parts Manual

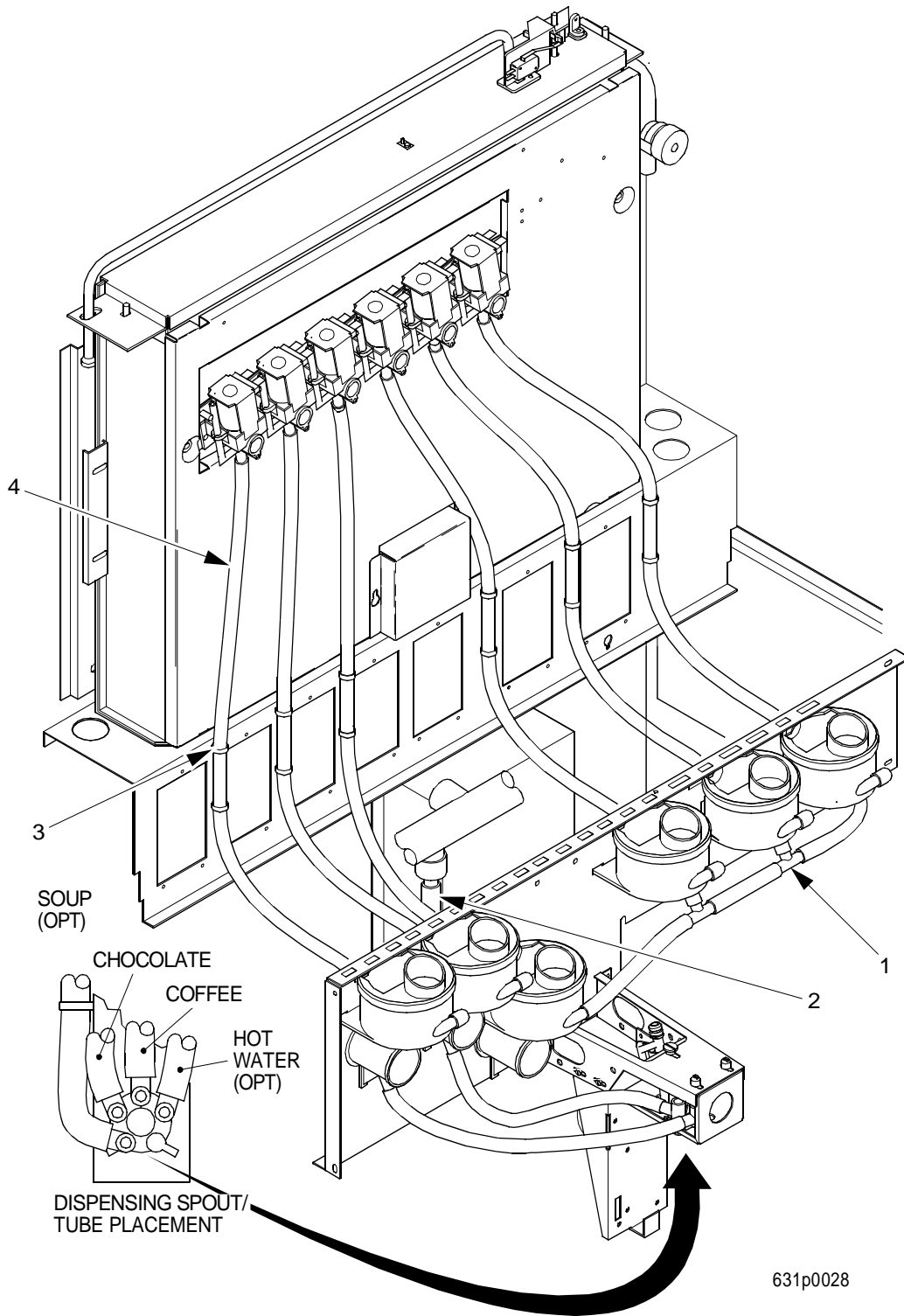


Figure 90. Liquid Distribution System - Freeze Dry

EuroTwin Drink Center Parts Manual

TABLE 90. LIQUID DISTRIBUTION SYSTEM - FREEZE DRY

| INDEX | PART NUMBER | DESCRIPTION | QTY |
|--------------|--------------------|-------------------------------|------------|
| 1 | 6237164 | "T"-CONN.-1/2"O.D. X 3/8"I.D. | 2 |
| 2 | 6338021 | TUBING-SILICONE-.375 IDX.562 | A/R |
| 3 | 6237099 | CLAMP-TUBE | * |

*** 2 PER VALVE ASSEMBLY**

EuroTwin Drink Center Parts Manual

TABLE 91. OVERALL WIRING HARNESES

| INDEX | PART NUMBER | DESCRIPTION | 639 | 631 |
|-------|-------------|---|-----|-----|
| - | 1475119 | JUMPER - GROUND WIRE | | |
| 1 | 4859012 | JUMPER - INTERLOCK - 230 V | | |
| 2 | 6339004 | HARNESS - HDC - AC1 | | |
| 3 | 6339019 | HARNESS - HDC VALVES AND HEATER | | |
| 4 | 6339001 | HARNESS - HDC AUGERS | | |
| 5 | 6339003 | HARNESS - BREW AND GRIND | | |
| 6 | 6239016 | HARNESS - BREWER | | |
| 8 | 3639015 | HARNESS - BREW SWITCHES - TWIN | | |
| 9 | - | PART OF BREWER MOTOR | | |
| 10 | 6339005 | HARNESS - HDC DC - CABINET | | |
| 11 | 6269013 | HARNESS - CUP MECHANISM | | |
| 12 | 6233106 | HARNESS - CUP DETECTOR LED | | |
| 13 | 6239026 | HARNESS - AUTO DOOR | | |
| 14 | 6396017 | HARNESS-DC TO PCB-EURO | | |
| 15 | 6396020 | HARNESS-REFRIGERATION-DC | | |
| 16 | 9989676 | JUMPER - BLOWER | | |
| 17 | 6396012 | HARNESS-AC2 TO PCB | | |
| 18 | 6396032 | HARNESS-BACKLITE | | |
| 19 | 6396023 | HARNESS-REFRIG.-AC-EURO | | |
| 20 | 6396019 | HARNESS-COMPRESSOR-EURO | | |
| 21 | 4255331 | FUSE HOLDER ASSEMBLY | | |
| 22 | 3639040 | HARNESS - 24 VAC POWER - EURO TWIN | | |
| 23 | 6396008 | CABLE-16 CONDUCTOR | | |
| 24 | 6339021 | HARNESS - FLOAT SWITCHES | | |
| 25 | 1679050 | HARNESS - EXEC COIN - LONG | | |
| 26 | 6396018 | JUMPER - FLOAT AND TEMP SWITCHES - EURO | | |
| 27 | - | NOT USED | | |
| 28 | 6339017 | FLAT CABLE - DISPLAY TO CONTROLLER | | |
| 29 | 1579009 | JUMPER - MONETARY DOOR SWITCH | | |
| 30 | 1679054 | HARNESS - MDB - COIN & VAL | | |
| 31 | 6339007 | JUMPER-CABINET SERVICE LIGHT | | |
| 32 | 6369001 | JUMPER - POWER TO VEND HEATERS (230 V) | | |

EuroTwin Drink Center Parts Manual

EuroTwin Drink Center Parts Manual

TABLE 91. OVERALL WIRING HARNESES (CONTINUED)

| INDEX | PART NUMBER | DESCRIPTION | 639 | 631 |
|--------------|--------------------|--|------------|------------|
| - | 1579018 | HARNESS - DATA PRINTER INTERFACE | | |
| - | 1679056 | HARNESS - DEX PRINTER INTERFACE | | |
| - | 1679005 | FLUORESCENT LIGHT FILTER - 120/230 | | |
| - | 4041073 | BUSHING #SR-6P-3 (USED WITH 9989576 AND 9989577) | | |
| - | 6231172 | PLATE-CORD MTG-FOREIGN (USED WITH 9989576 AND 9989577) | | |
| - | 6339025 | HARNESS-WHIPPER MOTOR SUPPRESOR (230 V APPLICATIONS) | | |
| - | 9984094 | WIRE - GROUND - 14 INCH | | |
| - | 9989576 | POWER CORD-W/BSI PLUG (230 V) UK | | |
| - | 9989577 | POWER CORD-EURO PLUG (230 V) FRANCE/GERMANY | | |
| - | 9989718 | JUMPER - VALIDATOR - 24V | | |

EuroTwin Drink Center Parts Manual

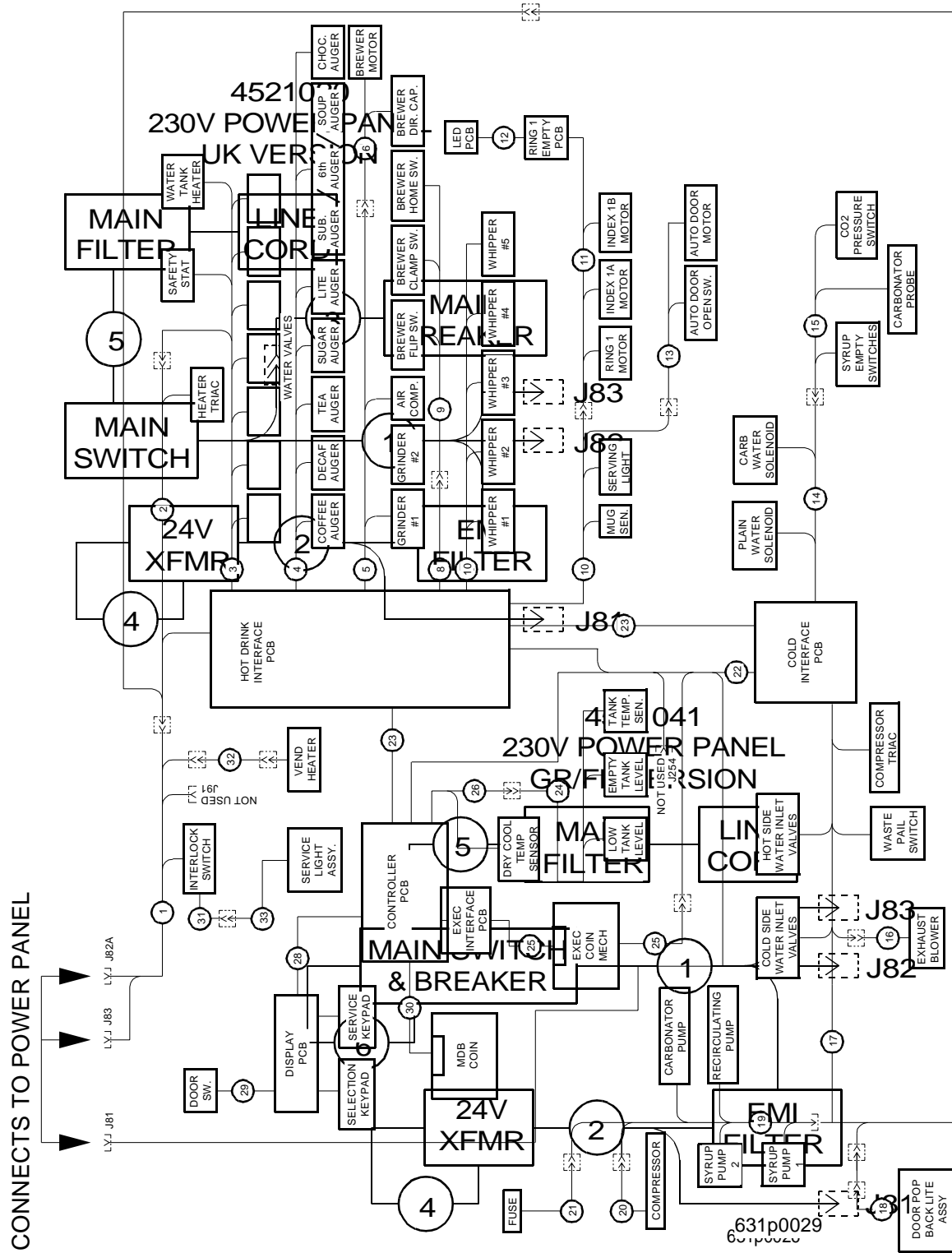


Figure 92 Power Panel Wiring (Continued)

EuroTwin Drink Center Parts Manual

TABLE 92. POWER PANEL WIRING HARNESES

| INDEX | PART NUMBER | DESCRIPTION |
|--------------|--------------------|--------------------------------------|
| 1 | 1709000 | HARNESS - POWER PANEL |
| 2 | 1709001 | JUMPER - TRANSFORMER |
| 3 | 1709006 | JUMPER - MAIN SWITCH TO BREAKER |
| 4 | 4279001 | JUMPER - 230 V TRANSFORMER - PRIMARY |
| 5 | 6849015 | JUMPER-POWER SW |
| 6 | 4529002 | JUMPER-FRENCH/GERMAN SWITCH |

EuroTwin Drink Center Parts Manual

TABLE 93. BAG ASSEMBLY B6390000 - U.K.

| PART NUMBER | DESCRIPTION | QTY |
|--------------------|------------------------------|------------|
| 1575083 | COIN CHUTE & BRACKET ASSEMBL | 1 |
| 1575086 | INSTR.SHEET-COIN CHUTE & BRK | 1 |
| 3148178 | WASHER-1/4 SAE FLARE | 2 |
| 3158026 | LABEL-EVERPURE-SMALL-7001-07 | 1 |
| 6232061 | LABEL-MUG OPTION | 1 |
| 6232062 | LABEL-WINNERS MODE | 1 |
| 6232124 | LABEL-PRICE-U.K.-RANGE 36P/4 | 1 |
| 6232125 | LABEL-PRICE-U.K.-RANGE 5P/36 | 1 |
| 6237046 | PLUG-AUGER | 2 |
| 6237063 | NOZZLE-DISPENSING-CANISTER | 2 |
| 6237080 | NOZZLE-DISPENSING-F.D.COFFEE | 4 |
| 6237117 | REMOVAL TOOL-IMPELLER | 1 |
| 6237347 | VINYL CAP-1.00 ID.X.50 LG | 7 |
| 6342012 | LABEL-COF/TEA-ENGLISH | 1 |
| 6390028 | EURO TWIN SETUP GUIDE 631/63 | 1 |
| 6391013 | INSULATION STRIP-8.50 IN. | 3 |
| 6392010 | LABEL-SOFT DRINK-ENGLISH | 1 |
| 6399000 | LIST - HARNESS | 1 |
| WD6390007 | W.D.-EURO TWIN-230V | 1 |

TABLE 94. BAG ASSEMBLY B6390001 - GERMANY

| PART NUMBER | DESCRIPTION | QTY |
|--------------------|-------------------------------|------------|
| 3148178 | WASHER-1/4 SAE FLARE | 2 |
| 3158026 | LABEL-EVERPURE-SMALL-7001-07 | 1 |
| 6232128 | LABEL-WINNERS MODE-GERMAN | 1 |
| 6232173 | LABEL-MUG OPTION-GERMAN | 1 |
| 6232176 | LABEL-PRICE-GER-.05/1.00 | 1 |
| 6232218 | LABEL-SAVE 10PF USING MUG-GE | 1 |
| 6232510 | HIGH PRICE LABEL-GERMAN | 1 |
| 6237046 | PLUG-AUGER | 2 |
| 6237063 | NOZZLE-DISPENSING-CANISTER | 2 |
| 6237080 | NOZZLE-DISPENSING-F.D.COFFEE | 4 |
| 6237117 | REMOVAL TOOL-IMPELLER | 1 |
| 6237347 | VINYL CAP-1.00 ID.X.50 LG | 7 |
| 6390028 | EURO TWIN SETUP GUIDE 631/63 | 1 |
| 6392034 | LABEL-HOT/COLD/SOUP-ALT.-GER | 1 |
| 6399000 | LIST - HARNESS | 1 |
| 6532008 | LABELS - EUROCOIN - ,05/1,00 | 1 |
| 6532009 | LABELS - EUROCOIN - 1,05/2,00 | 1 |
| 6532012 | LABELS - EUROCOIN - 2,05/3,00 | 1 |
| WD6390007 | W.D.-EURO TWIN-230V | 1 |

EuroTwin Drink Center Parts Manual

TABLE 95. BAG ASSEMBLY B6390002 - FRANCE

| PART NUMBER | DESCRIPTION | QTY |
|--------------------|-------------------------------|------------|
| 1300018 | BAG PLASTIC | 1 |
| 3148178 | WASHER-1/4 SAE FLARE | 2 |
| 3158026 | LABEL-EVERPURE-SMALL-7001-07 | 1 |
| 6232112 | HIGH PRICE LABEL-FRENCH | 1 |
| 6232130 | LABEL-MUG OPTION-FR. | 1 |
| 6232131 | LABEL-WINNERS MODE-FR. | 1 |
| 6232259 | LABELS-VOL.4CL TO 16CL-FR | 1 |
| 6232509 | LABEL-PRICE RANGE-1.00 TO2.3 | 1 |
| 6237063 | NOZZLE-DISPENSING-CANISTER | 2 |
| 6237117 | REMOVAL TOOL-IMPELLER | 1 |
| 6237347 | VINYL CAP-1.00 ID.X.50 LG | 7 |
| 6312003 | LABEL-HOT/COLD/SOUP ALT.-FRN | 1 |
| 6312018 | LABEL-LEMON TEA-EURO TWIN-FR | 1 |
| 6332051 | LABEL-WHITENER NOTES-FRENCH | 1 |
| 6390028 | EURO TWIN SETUP GUIDE 631/63 | 1 |
| 6399000 | LIST - HARNESS | 1 |
| 6532008 | LABELS - EUROCOIN - ,05/1,00 | 1 |
| 6532009 | LABELS - EUROCOIN - 1,05/2,00 | 1 |
| 6532012 | LABELS - EUROCOIN - 2,05/3,00 | 1 |
| WD6390007 | W.D.-EURO TWIN-230V | 1 |

EuroTwin Drink Center Parts Manual

TABLE 96. BAG ASSEMBLY B6390003 - SOUTH AMERICA/230 V/SPANISH

| PART NUMBER | DESCRIPTION | QTY |
|--------------------|------------------------------|------------|
| 1300018 | BAG PLASTIC | 1 |
| 3148178 | WASHER-1/4 SAE FLARE | 2 |
| 3158026 | LABEL-EVERPURE-SMALL-7001-07 | 1 |
| 6232253 | INSERT-BLANK-"C" SEL.-FR. | 2 |
| 6232256 | INSERT-BLANK-FR. | 2 |
| 6232259 | LABELS-VOL.4CL TO 16CL-FR | 1 |
| 6232296 | LABEL-MUG OPTION-SPANISH | 1 |
| 6232297 | LABEL-WINNERS MODE-SPANISH | 1 |
| 6232509 | LABEL-PRICE RANGE-1.00 TO2.3 | 1 |
| 6237063 | NOZZLE-DISPENSING-CANISTER | 2 |
| 6237117 | REMOVAL TOOL-IMPELLER | 1 |
| 6237347 | VINYL CAP-1.00 ID.X.50 LG | 7 |
| 6312021 | LABEL-SOFT DRINK-SPANISH | 1 |
| 6342014 | LABEL-COF/TEA-SPANISH | 1 |
| 6390028 | EURO TWIN SETUP GUIDE 631/63 | 1 |
| 6399000 | LIST - HARNESS | 1 |
| WD6390007 | W.D.-EURO TWIN-230V | 1 |

EuroTwin Drink Center Parts Manual

TABLE 97. BAG ASSEMBLY B6390004 - CHILE

| PART NUMBER | DESCRIPTION | QTY |
|--------------------|------------------------------|------------|
| 1300018 | BAG PLASTIC | 1 |
| 3148178 | WASHER-1/4 SAE FLARE | 2 |
| 3158026 | LABEL-EVERPURE-SMALL-7001-07 | 1 |
| 6232253 | INSERT-BLANK-"C" SEL.-FR. | 2 |
| 6232256 | INSERT-BLANK-FR. | 2 |
| 6232296 | LABEL-MUG OPTION-SPANISH | 1 |
| 6232297 | LABEL-WINNERS MODE-SPANISH | 1 |
| 6237063 | NOZZLE-DISPENSING-CANISTER | 2 |
| 6237117 | REMOVAL TOOL-IMPELLER | 1 |
| 6237347 | VINYL CAP-1.00 ID.X.50 LG | 7 |
| 6312021 | LABEL-SOFT DRINK-SPANISH | 1 |
| 6312022 | LABEL-PRICE-CHILE-100 TO 500 | 1 |
| 6342014 | LABEL-COF/TEA-SPANISH | 1 |
| 6390028 | EURO TWIN SETUP GUIDE 631/63 | 1 |
| 6399000 | LIST - HARNESS | 1 |
| WD6390007 | W.D.-EURO TWIN-230V | 1 |

EuroTwin Drink Center Parts Manual

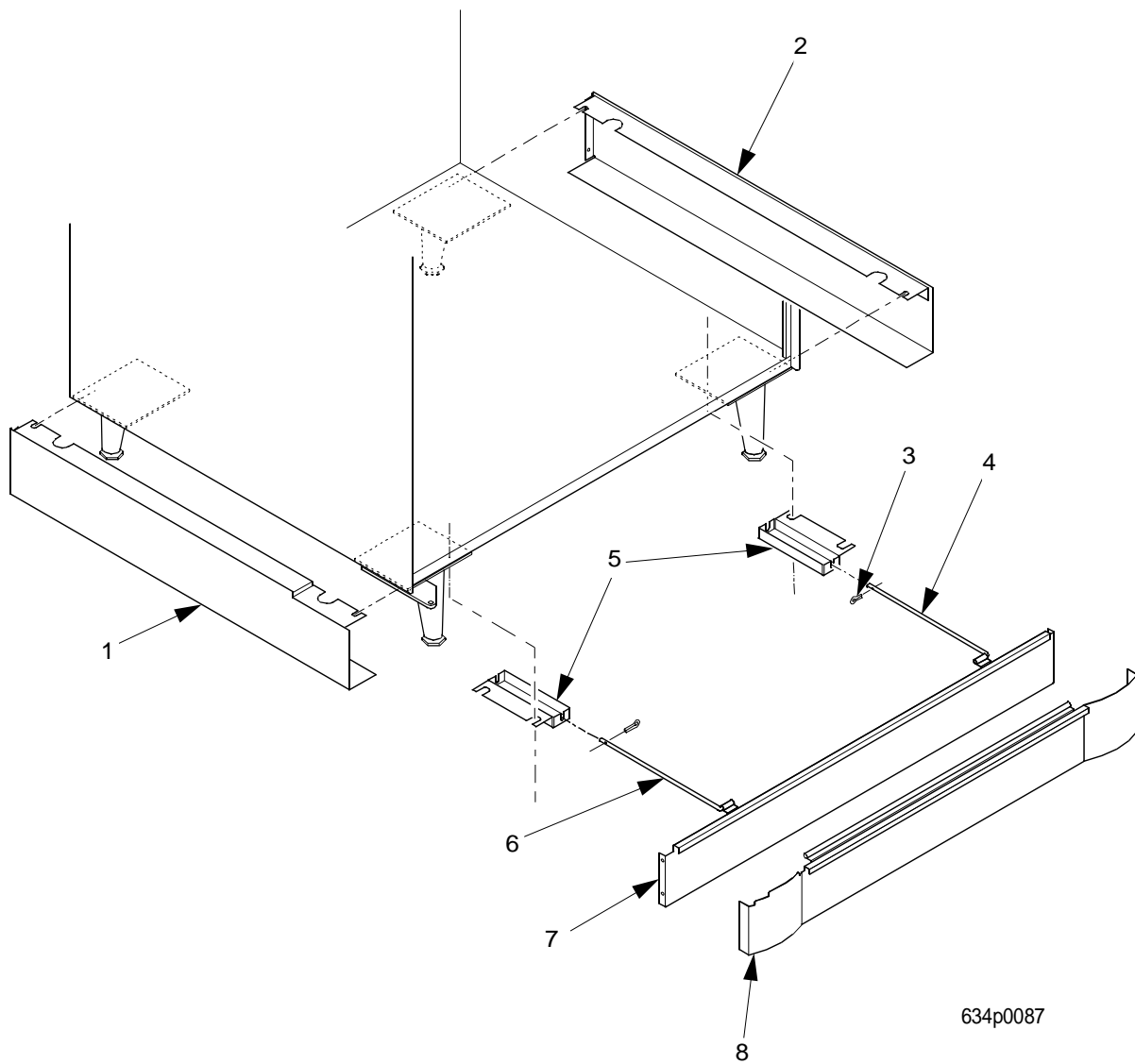


Figure 98. Base Plate Assembly and Side Panels

EuroTwin Drink Center Parts Manual

TABLE 98. BASE PLATE ASSEMBLY AND SIDE PANELS

| INDEX | PART NUMBER | DESCRIPTION | QTY |
|-------|-------------|---|-----|
| - | - | BASE PLATE-FRONT & SIDES (STANDARD TRIM STYLE) (INCLUDES INDEX NUMBERS 1 THRU 7) | REF |
| | | BASE PLATE ASSEMBLY-MILLENNIA (INCLUDES INDEX NUMBERS 3 THRU 6 PLUS 8) | |
| | | BASE PLATE - FRONT ONLY (STANDARD TRIM STYLE) (INCLUDES INDEX NUMBERS 3 THRU 7) | |
| 1 | 6261030 | SIDE PANEL ASSEMBLY-BASE GRILL-LEFT SIDE-BLACK (STANDARD TRIM STYLE) | 1 |
| 2 | 6261027 | SIDE PANEL ASSEMBLY-BASE GRILL-RIGHT SIDE -BLACK (STANDARD TRIM STYLE) | 1 |
| 3 | 9900098 | COTTER PIN 3/32 X 3/4 IN | 2 |
| 4 | 1411194 | SLIDE BASE PLATE R H | 1 |
| 5 | 6231087 | BRACKET-BASE PLATE | 2 |
| 6 | 1411195 | SLIDE BASE PLATE L H | 1 |
| 7 | 1581023 | BASE PLATE ASSEMBLY (STANDARD TRIM STYLE) | 1 |
| 8 | 1581050 | BASE PLATE ASSY-32"-MILLENNIA-BLACK (MILLENNIA TRIM STYLE) | 1 |

EuroTwin Drink Center Parts Manual

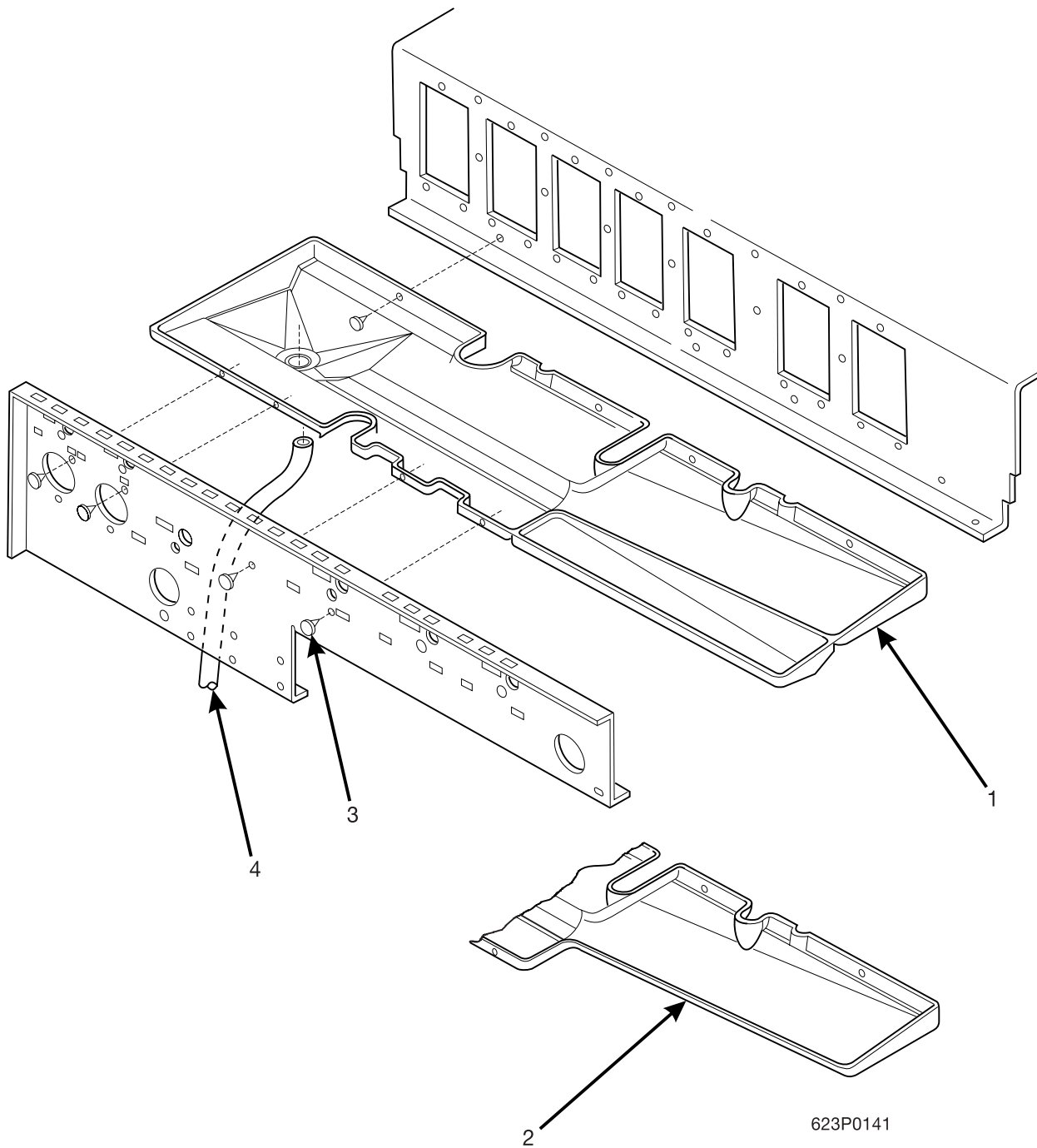


Figure 99. Ingredient Drain Tray Accessory

EuroTwin Drink Center Parts Manual

TABLE 99. INGREDIENT DRAIN TRAY ACCESSORY

| INDEX | PART NUMBER | DESCRIPTION | QTY |
|-------|-------------|--|-----|
| 1 | 6241009 | INGREDIENT DRAIN TRAY - 32" - FRESH BREW | OPT |
| | 6241008 | INGREDIENT DRAIN TRAY - 32" - FREEZE DRY | |
| 2 | 6237053 | FASTENER - PUSH IN | 8 |
| 3 | 6238090 | TUBING - 13/16 OD X 5/8 ID BLACK | 23" |

TABLE 100. DEX PRINTER INTERFACE ACCESSORY

| INDEX | PART NUMBER | DESCRIPTION | QTY |
|-------|-------------|---|------|
| - | 1679056 | HARNESS - DEX PRINTER INTERFACE (CONNECT TO CONTROL- LER PCB AT J36) - NOT SHOWN | OPT. |

FEMALE MODULAR ADAPTER

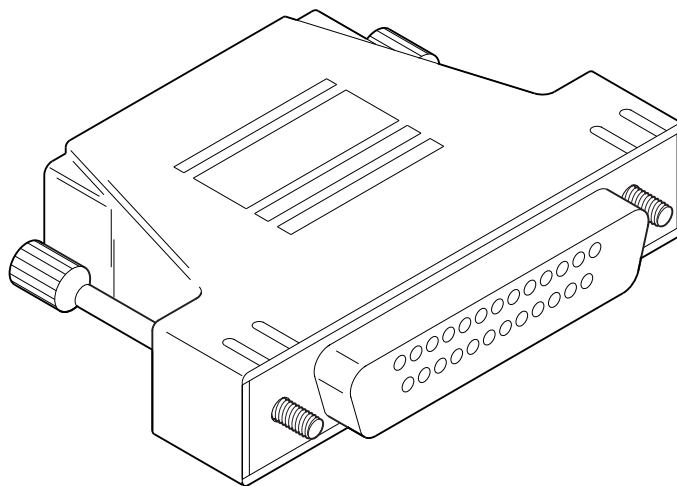


Figure 101. Data Printer Interface Accessory

TABLE 101. DATA PRINTER INTERFACE ACCESSORY

| INDEX | PART NUMBER | DESCRIPTION | QTY |
|-------|-------------|--|-----|
| 1 | 9984516 | FEMALE MODULAR ADAPTER | OPT |
| - | 1579018 | RS232 PRINTER INTERFACE HARNESS (CONNECTS TO CONTROL- LER PCB AT J36) | OPT |

