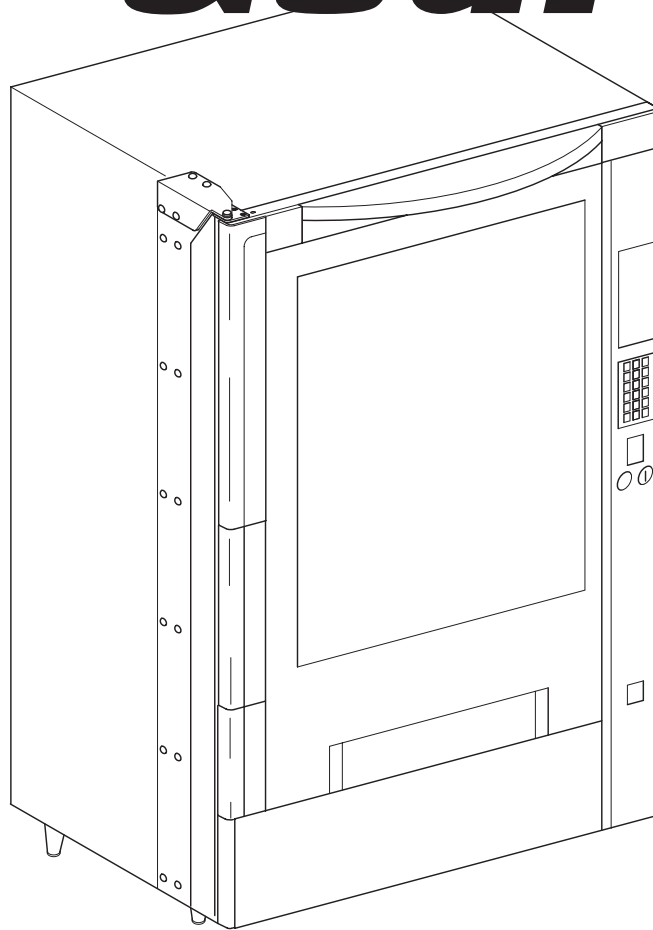


4554074

**Model 455**



# ***Frozen Gourmet***



455

## **PARTS MANUAL**

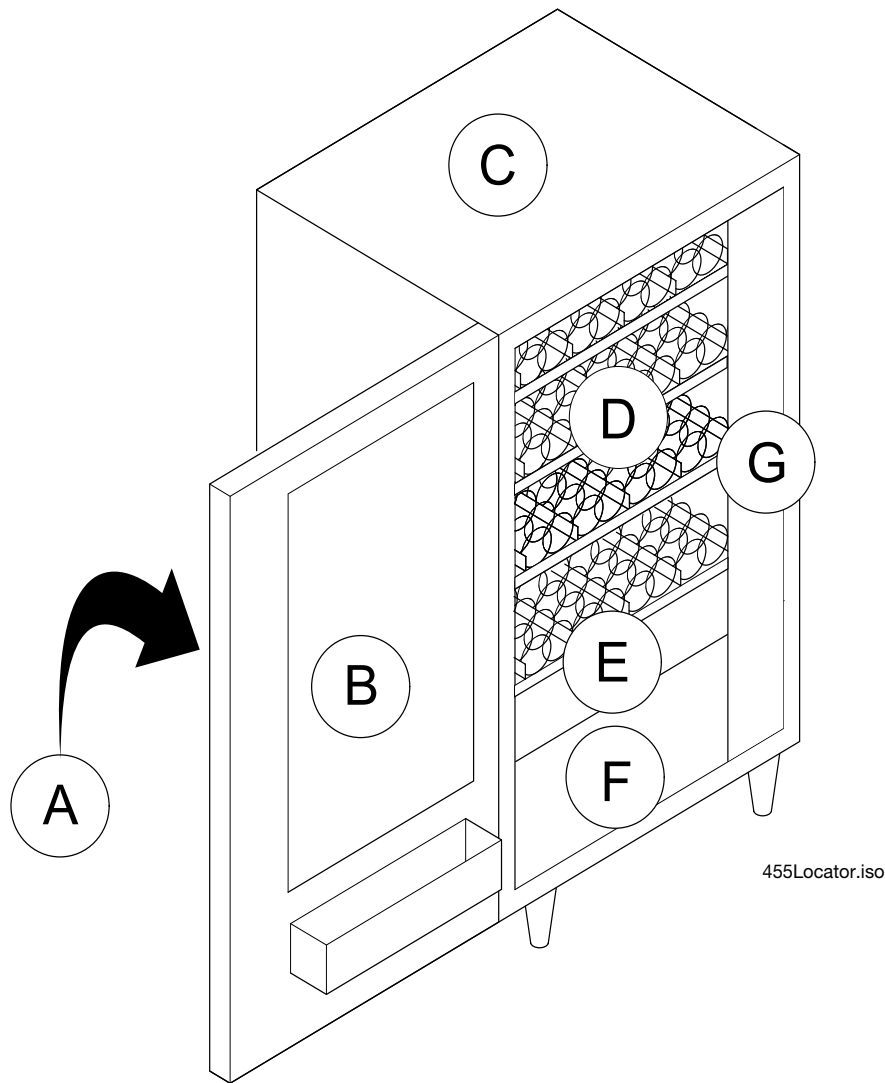


The Right Part, Right Now

**CRANE** MERCHANDISING SYSTEMS™ A Crane Co. Company  
**CMS PARTS & SUPPORT**

12955 Enterprise Way  
Bridgeton, Missouri 63044-1200  
(314) 298-3500 / (800) 621-7278  
[www.CraneMS.com](http://www.CraneMS.com)

4554074



- A - Exterior of Door
- B - Interior of Door
- C - Cabinet
- D - Trays
- E - Retractable Door & Motor, Barrier
- F - Refrigeration
- G - Monetary Cabinet - Door, Trim & Panels

**Crane Merchandising Systems Parts and Support:**  
**Parts: 1-800-621-7278    Service: 1-800-628-8363**

For faster Service, please have your account number ready before calling.

## List of Figures

<b>--Section A: Exterior Door</b> .....	<b>1</b>
FIGURE 1: Exterior Door Trim Panels (Standard) .....	2
FIGURE 2: Exterior Door Trim (Standard) .....	4
FIGURE 3: Exterior Door Trim (Millennium) - Part 1 .....	6
FIGURE 4: Michelina's Decals .....	8
<b>Section B: Interior Door</b> .....	<b>10</b>
FIGURE 5: Door Glass .....	10
FIGURE 6: Upper Door Light Assembly .....	12
FIGURE 7: Door Light Assembly - Right Side .....	14
FIGURE 8: Door Light Assembly - Left Side .....	16
FIGURE 9: Interior Door Parts .....	18
FIGURE 10: Door Latch Detail .....	20
FIGURE 11: Door Hinge Assembly - Upper .....	22
FIGURE 12: Door Hinge Assembly - Lower .....	24
FIGURE 13: Harnesses and Ballast Assemblies .....	26
FIGURE 14: Delivery Pan Assembly - Part 1 .....	28
FIGURE 15: Side Plate Assemblies .....	30
FIGURE 16: Delivery Pan Assembly - Linkage Detail .....	32
<b>Section C: Cabinet</b> .....	<b>34</b>
FIGURE 17: Miscellaneous Mounted Parts .....	34
FIGURE 18: Tray Rails - Right Side .....	36
FIGURE 19: Left Hand Tray Rail Detail .....	38
FIGURE 20: Storage Tray and Right Hand Tray Rail Detail .....	40
FIGURE 21: Legs .....	42
FIGURE 22: Base Plate Assemblies .....	44
<b>Section D: Trays</b> .....	<b>46</b>
FIGURE 23: Tray Assembly - Part 1 .....	46
FIGURE 24: Tray Assembly - Part 2 .....	48
<b>Section E: Retractable Door &amp; Motor, Barrier</b> .....	<b>50</b>
FIGURE 25: Barrier Assembly - Part 1 .....	50
FIGURE 26: Barrier Assembly - Part 2 .....	52
FIGURE 27: Barrier Assembly - Part 3 .....	54
FIGURE 28: Surevend System .....	56
FIGURE 29: Drive Motor Assembly .....	58
FIGURE 30: Retractable Door Assembly .....	60

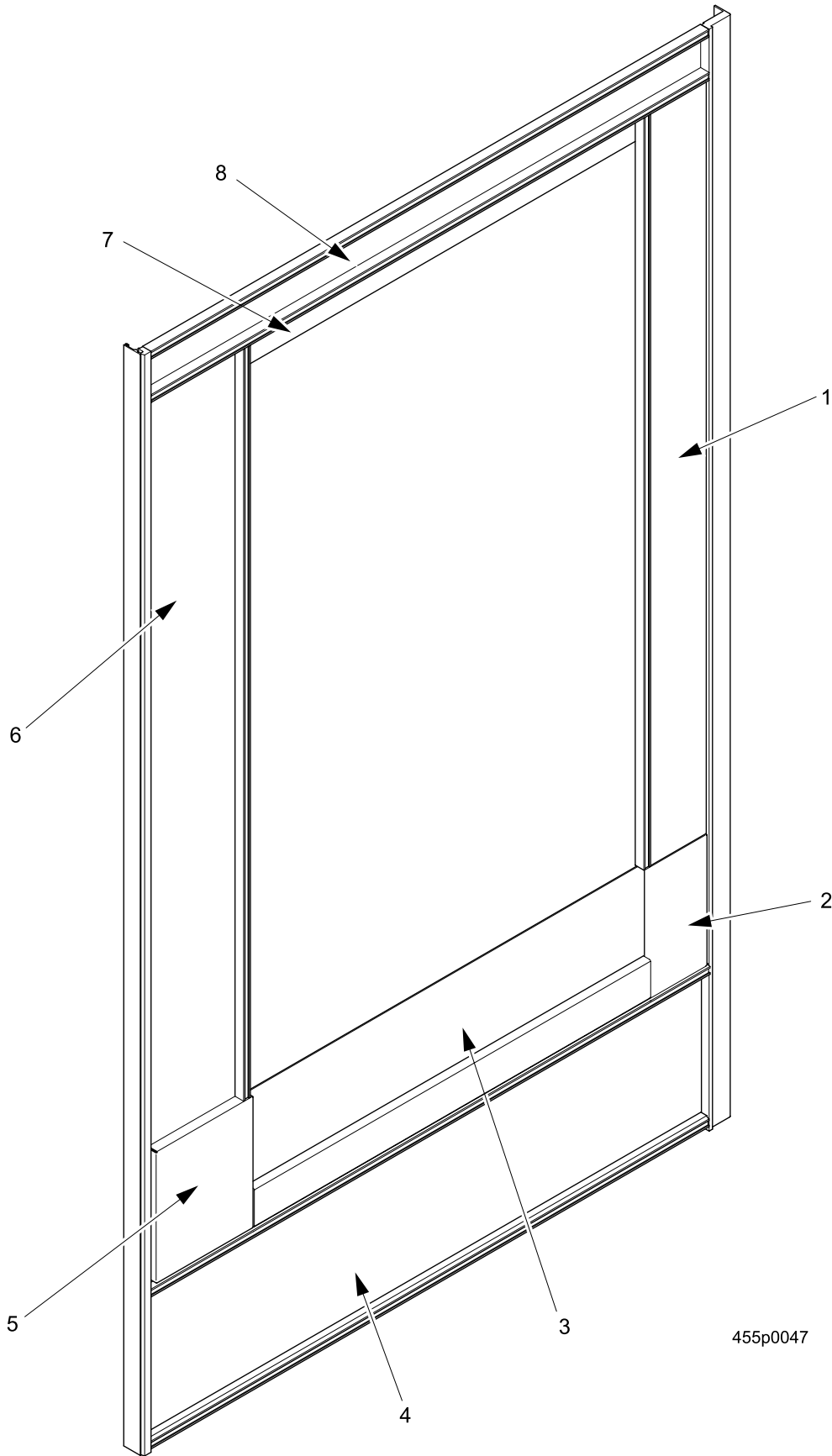
<b>Section F: Refrigeration .....</b>	<b>62</b>
FIGURE 31: Refrigeration Unit - Part 1 .....	62
FIGURE 32: Refrigeration Unit - Part 2 .....	64
FIGURE 33: Refrigeration Unit - Part 3 .....	66
FIGURE 34: Refrigeration Unit - Part 4 .....	68
FIGURE 35: Refrigeration Unit - Part 5 .....	70
FIGURE 36: Insulation .....	72
<b>Section G: Monetary .....</b>	<b>74</b>
FIGURE 37: Monetary Door Trim - Standard .....	74
FIGURE 38: Monetary Trim - Millennia .....	76
FIGURE 39: Monetary Door - Part 1 .....	78
FIGURE 40: Monetary Door - Part 2 .....	80
FIGURE 41: Monetary Door - Part 3 .....	82
FIGURE 42: Monetary Door - Part 4 .....	84
FIGURE 43: Monetary Door - Part 5 .....	88
FIGURE 44: Monetary Door - Part 6 .....	90
FIGURE 45: Monetary Door - Part 7 .....	92
FIGURE 46: Right Panel Monetary & Button Assembly .....	94
FIGURE 47: Door Lock and Handle Assembly - Standard .....	96
FIGURE 48: Lock Assembly - Millenia .....	98
FIGURE 49: Coin Cup .....	100
FIGURE 50: Lower Monetary Compartment .....	102
FIGURE 51: Upper Monetary Compartment .....	104
FIGURE 52: Power Panel Assembly .....	106
<b>Section H: Miscellaneous.....</b>	<b>108</b>
FIGURE 53: Harnesses .....	108
FIGURE 54: Wiring Diagram - 115V .....	111
FIGURE 55: Wiring Diagram - 230V .....	112

# List of Tables

<b>--Section A: Exterior Door.....</b>	<b>1</b>
TABLE 1: Exterior Door Trim Panels (Standard) .....	3
TABLE 2: Exterior Door Trim (Standard) .....	5
TABLE 3: Exterior Door Trim (Millennium) - Part 1 .....	7
TABLE 4: Michelina's Decals .....	9
<b>Section B: Interior Door .....</b>	<b>10</b>
TABLE 5: Door Glass .....	11
TABLE 6: Upper Door Light Assembly .....	13
TABLE 7: Door Light Assembly - Right Side .....	15
TABLE 8: Door Light Assembly - Left Side .....	17
TABLE 9: Interior Door Parts .....	19
TABLE 10: Door Latch Detail .....	21
TABLE 11: Door Hinge Assembly - Upper .....	23
TABLE 12: Door Hinge Assembly - Lower .....	25
TABLE 13: Harnesses and Ballast Assemblies .....	27
TABLE 14: Delivery Pan Assembly - Part 1 .....	29
TABLE 16: Delivery Pan Assembly - Linkage Detail .....	33
<b>Section C: Cabinet.....</b>	<b>34</b>
TABLE 17: Miscellaneous Mounted Parts .....	35
TABLE 18: Tray Rails - Right Side .....	37
TABLE 19: Left Hand Tray Rail Detail .....	39
TABLE 20: Storage Tray and Right Hand Tray Rail Detail .....	41
TABLE 21: Legs .....	43
TABLE 22: Base Plate Assemblies .....	45
<b>Section D: Trays.....</b>	<b>46</b>
TABLE 23: Tray Assembly - Part 1 .....	47
TABLE 24: Tray Assembly - Part 2 .....	49
<b>Section E: Retractable Door &amp; Motor, Barrier .....</b>	<b>50</b>
TABLE 25: Barrier Assembly - Part 1 .....	51
TABLE 26: Barrier Assembly - Part 2 .....	53
TABLE 27: Barrier Assembly - Part 3 .....	55
TABLE 28: Surevend System .....	57
TABLE 29: Drive Motor Assembly .....	59
TABLE 30: Retractable Door Assembly .....	61
<b>Section F: Refrigeration .....</b>	<b>62</b>
TABLE 31: Refrigeration Unit - Part 1 .....	63
TABLE 32: Refrigeration Unit - Part 2 .....	65
TABLE 33: Refrigeration Unit - Part 3 .....	67
TABLE 34: Refrigeration Unit - Part 4 .....	69
TABLE 35: Refrigeration Unit - Part 5 .....	71
TABLE 36: Insulation .....	73

<b>Section G: Monetary</b> .....	<b>74</b>
TABLE 37: Monetary Door Trim - Standard .....	75
TABLE 38: Monetary Trim - Millennia .....	77
TABLE 39: Monetary Door - Part 1 .....	79
TABLE 40: Monetary Door - Part 2 .....	81
TABLE 41: Monetary Door - Part 3 .....	83
TABLE 42: Monetary Door - Part 4 .....	85
TABLE 43: Monetary Door - Part 5 .....	89
TABLE 44: Monetary Door - Part 6 .....	91
TABLE 45: Monetary Door - Part 7 .....	93
TABLE 46: Right Panel Monetary & Button Assembly .....	95
TABLE 47: Door Lock and Handle Assembly - Standard .....	97
TABLE 48: Lock Assembly - Millenia .....	99
TABLE 49: Coin Cup .....	101
TABLE 50: Lower Monetary Compartment .....	103
TABLE 51: Upper Monetary Compartment .....	105
TABLE 52: Power Panel Assembly .....	107
<b>Section H: Miscellaneous</b> .....	<b>108</b>
TABLE 53: Harnesses .....	109
TABLE 54: Bag Assembly: 15 .....	110
TABLE 55: Bag Assembly 4550001 (Michelina's) .....	110





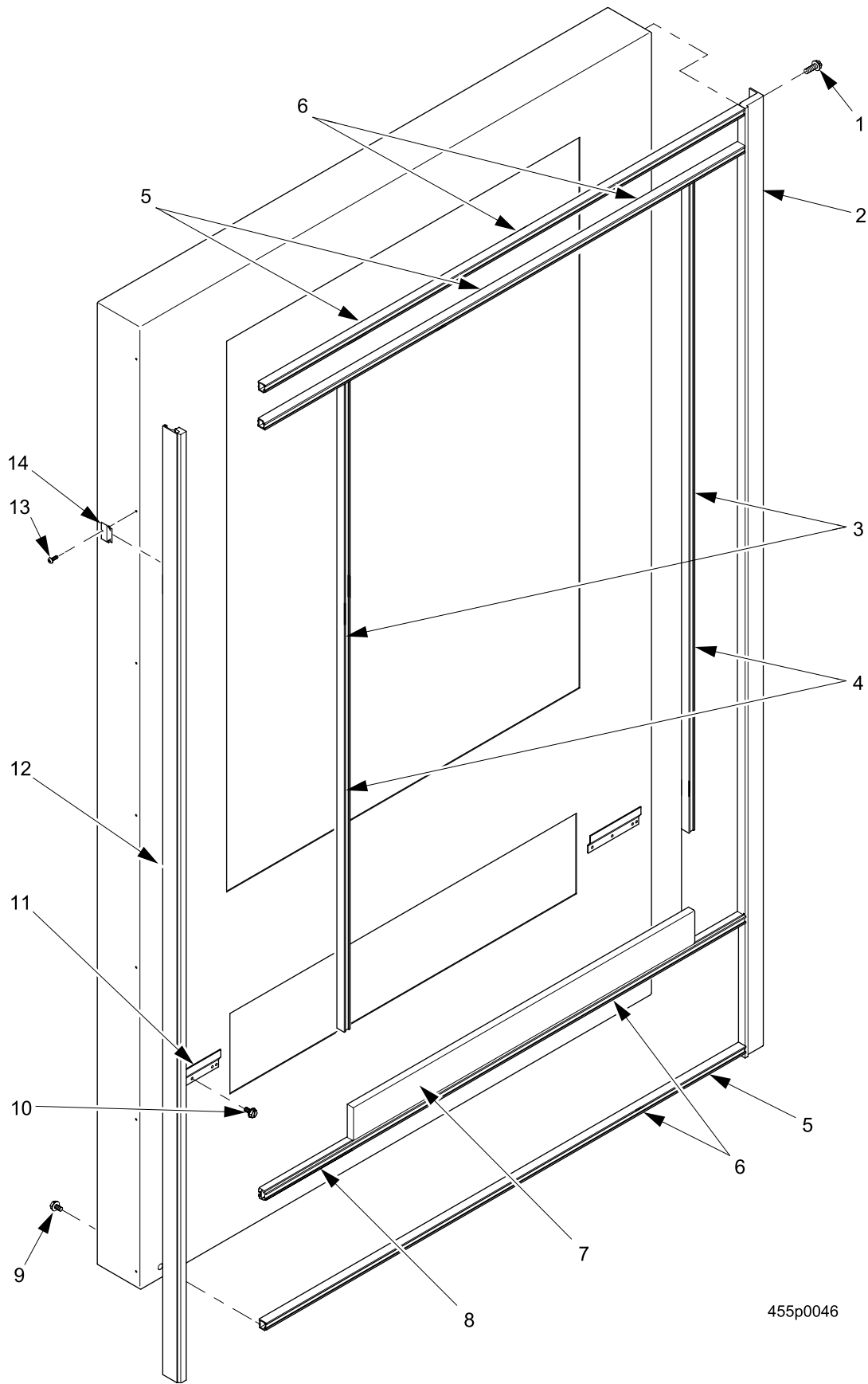
455p0047

**FIGURE 1: EXTERIOR DOOR TRIM PANELS (STANDARD)**



TABLE 1: EXTERIOR DOOR TRIM PANELS (STANDARD)

INDEX	PART NUMBER	DESCRIPTION	QTY
1	4552414	PANEL-RH-DURAPANEL-BLK	1
	4552251	PANEL - GLASS - DOOR - RIGHT (LOCK SIDE) - STERLING	
2	4552420	PANEL - RAISED - RIGHT (LOCK SIDE) - BLACK PICA	1
	4552311	PANEL - RAISED - RIGHT (LOCK SIDE) - STERLING	
3	4552415	PANEL-BOT2-DURAPANEL-BLK	1
	4552266	PANEL - GLASS - DOOR - BOTTOM - STERLING	
4	4552416	PANEL-BOT-DURAPANEL-BLK	1
	4552281	PANEL - BOTTOM - DOOR - STERLING	
5	4552419	PANEL - RAISED - LEFT (HINGE SIDE) - BLACK PICA	1
	4552296	PANEL - RAISED - LEFT (HINGE SIDE) - STERLING	
6	4552413	PANEL-LH-DURAPANEL-BLK	1
	4552236	PANEL - GLASS - DOOR - LEFT (HINGE SIDE) - STERLING	
7	4552412	PANEL-TOP2-DURAPANEL-BLK	1
	4552221	PANEL - GLASS - DOOR - TOP - STERLING	
8	4552411	PANEL-TOP-DURAPANEL-BLK	1

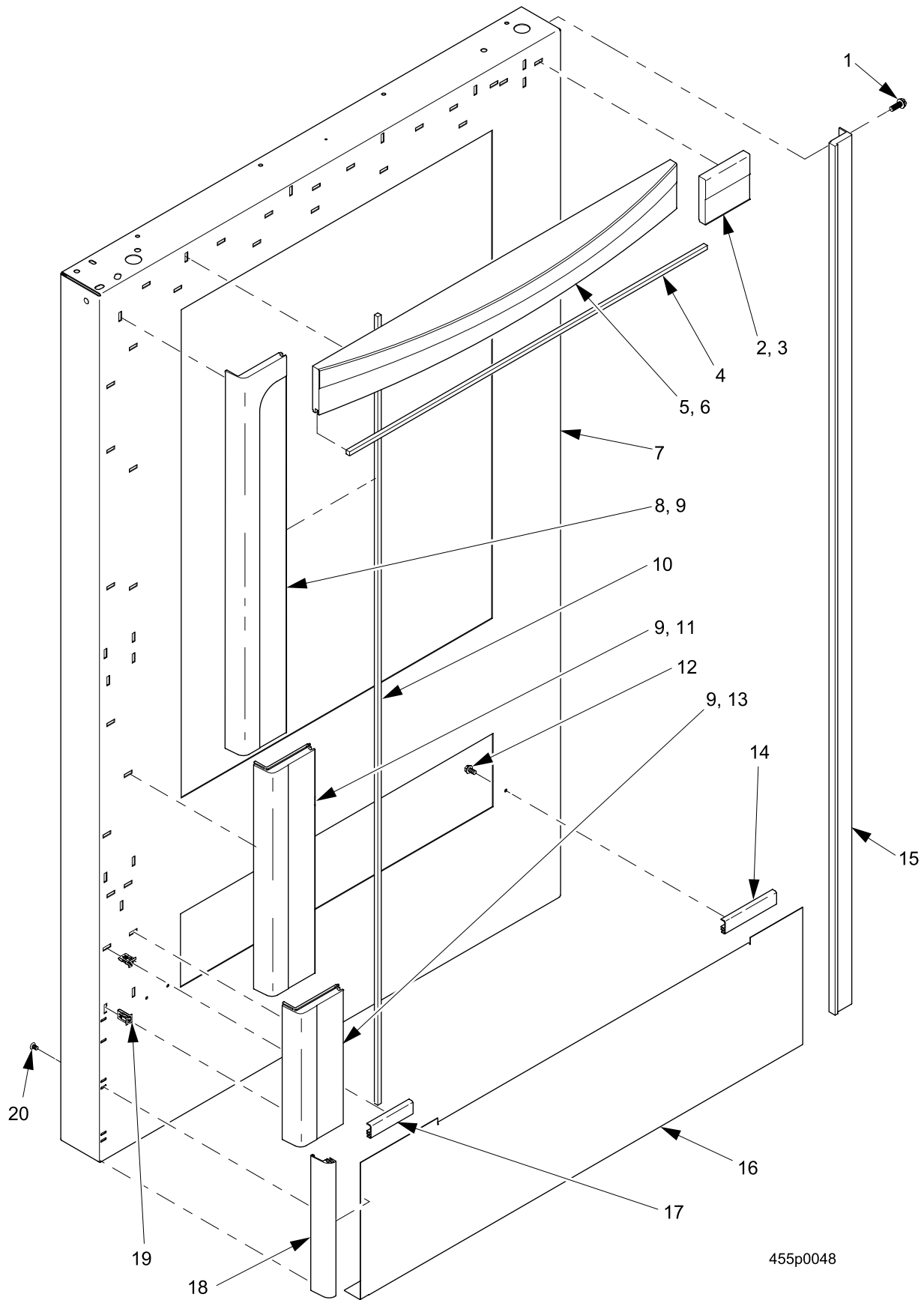


455p0046

**FIGURE 2: EXTERIOR DOOR TRIM (STANDARD)**

TABLE 2: EXTERIOR DOOR TRIM (STANDARD)

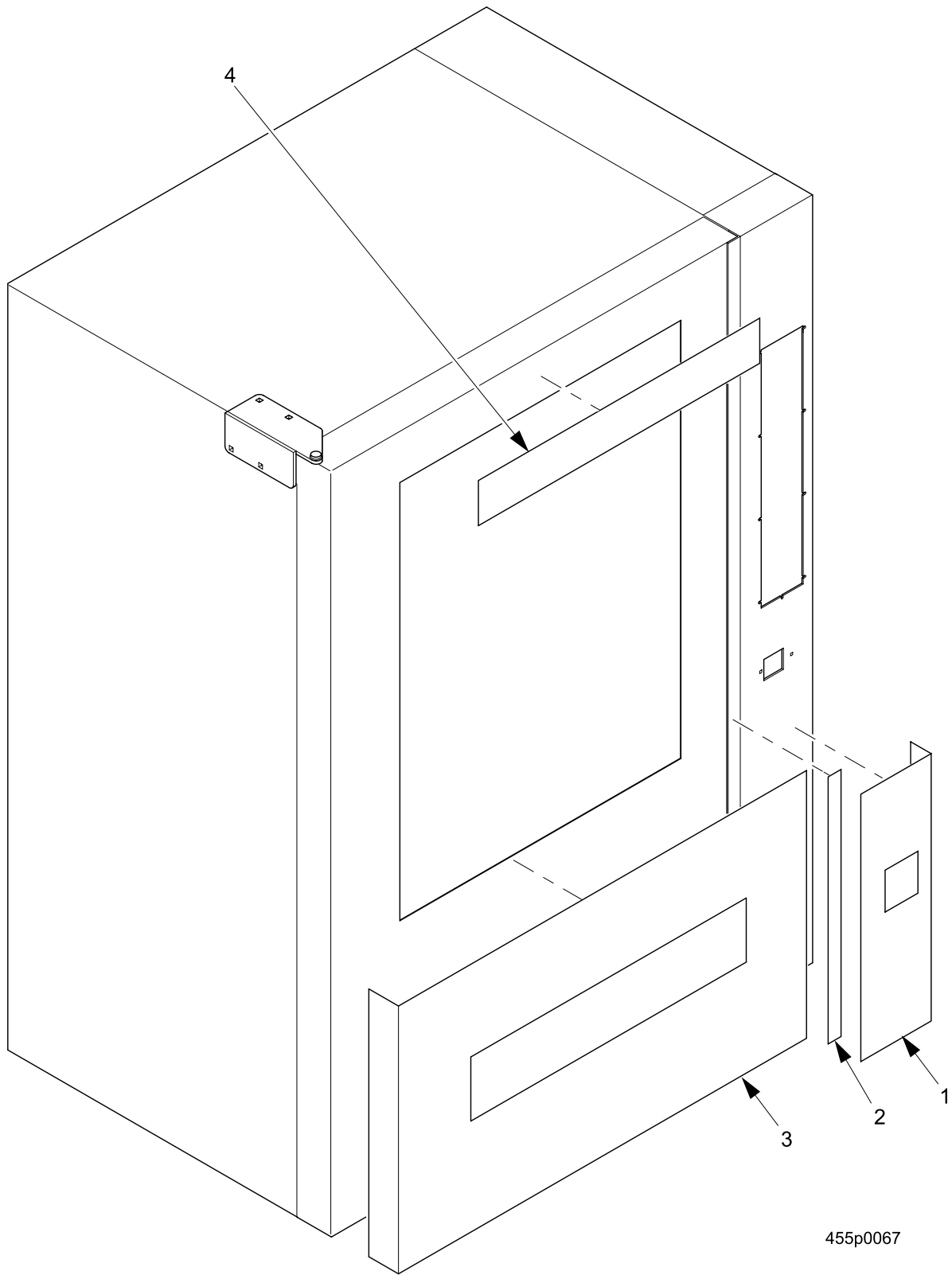
INDEX	PART NUMBER	DESCRIPTION	QTY
--	4552370	DOOR ASSEMBLY - IMPERIAL CROWN	--
	4552171	DOOR ASSEMBLY - SIGNATURE - 115V	
	4552328	DOOR ASSEMBLY - SIGNATURE - 230V	
1	4741050	SCREW - #8-32 X .50 HX.HD.-T/F-B LK.	13
2	4552005	TRIM - LATCH SIDE - DOOR	1
3	4552177	TRIM - DOOR - VERTICAL - BLACK	2
4	4552187	TRIM - INSERT - 44.86	2
5	4552193	TRIM - DOOR - TOP - CLEAR (IMPERIAL CROWN TRIM)	3
		TRIM - DOOR - TOP - CLEAR (SIGNATURE TRIM)	1
	4552178	TRIM - DOOR - BOTTOM - BLACK (SIGNATURE TRIM)	2
6	4552188	TRIM - INSERT - 38.43	4
7	4552176	TRIM - DOOR - HORIZONTAL - UNFINISHED	1
8	4552179	TRIM - DOOR - HORIZONTAL - CLEAR	1
9	G1472028	SCREW - #6 X .38 SHEET METAL	34
10	1451097	SCREW - #8-32 X.31 HEX HD.TF - BLACK	4
11	4552181	SUPPORT - PANEL - DOOR	2
12	4302272	TRIM - DOOR - SIDE - BLACK (SIGNATURE TRIM)	1
	4302274	TRIM - DOOR - SIDE - CLEAR (IMPERIAL CROWN TRIM)	
13	4312217	SCREW #8-32 X.50 PHILLIPS-PN HD	7
14	4302414	CLIP - DOOR TRIM	14



**FIGURE 3: EXTERIOR DOOR TRIM (MILLENNIUM) - PART 1**

TABLE 3: EXTERIOR DOOR TRIM (MILLENNIUM) - PART 1

INDEX	PART NUMBER	DESCRIPTION	QTY
1	4741050	SCREW - #8-32 X .50 HX.HD. - T/F - BLACK LW	18
2	4552006	TRIM - TOP RIGHT	1
3	4552007	DECAL - TRIM - TOP RIGHT	1
4	4282040	FILLER - GROOVE - HORIZONTAL - TOP	1
5	4552057	TRIM - HORIZONTAL - TOP - 42" - "H3"	1
6	3632204	DECAL - TRIM HORIZONTAL - 42" FADING DOT PATTERN	1
7	4552000	DOOR ASSEMBLY - MILLENNIA - 115V	1
	4552330	DOOR ASSEMBLY - MILLENNIA - 230V	
8	4552058	TRIM - UPPER - LEFT HAND - "C"	1
9	1572258	DECAL - DOOR TRIM VERTICAL ASSEMBLY	1
10	4552009	FILLER - GROOVE - 55.5" LG.	1
11	4552059	TRIM - MIDDLE - LEFT HAND - "D"	1
12	1451097	SCREW - #8 - 32X.31 HEX HD.TF - BLACK	4
13	4552060	TRIM - BOTTOM - LEFT HAND - "E"	1
14	4552012	TRIM - EXTRUDED - RIGHT SIDE - DOOR	1
15	4552005	TRIM - LATCH SIDE - DOOR	1
16	4552010	TRIM PANEL - BOTTOM	1
17	4552011	TRIM - EXTRUDED - LEFT SIDE - DOOR	1
18	1572267	TRIM - LOWER - DOOR SIDE - GRAY	1
19	4552371	RETAINER - TRIM	44
20	G1472027	SCREW - SHEET METAL - #6 X .44 PHILLPS	6

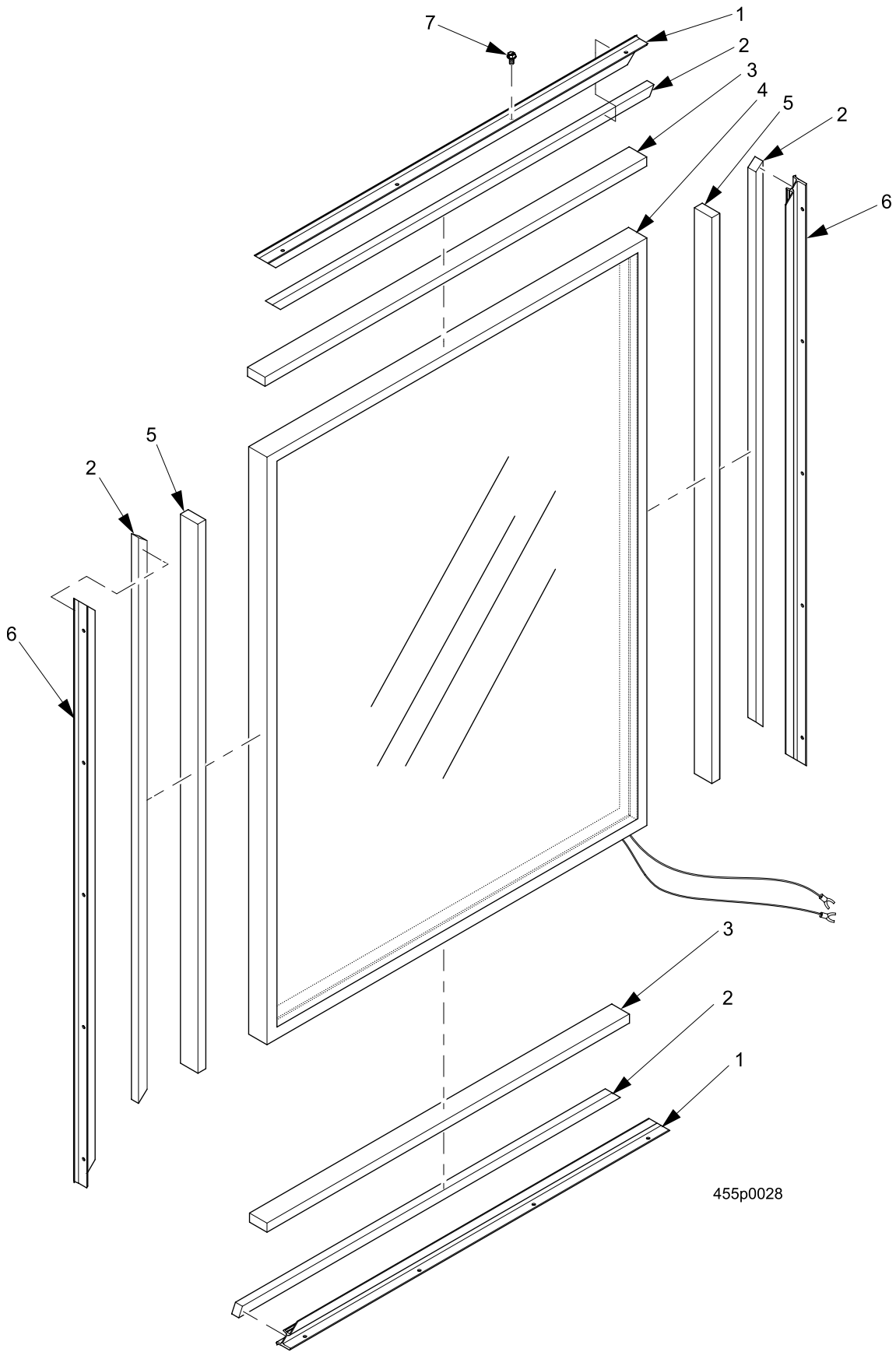


455p0067

**FIGURE 4: MICHELINA'S DECALS**

**TABLE 4: MICHELINA'S DECALS**

<b>INDEX</b>	<b>PART NUMBER</b>	<b>DESCRIPTION</b>	<b>QTY</b>
--	4550834	MICHELINA'S DECALS (INCLUDES 1-4)	--
1	4555109	DECAL - MICHELINA'S - MONETARY - RIGHT (LOCK SIDE)	1
2	4555108	DECAL - MICHELINA'S - MONETARY - LEFT (HINGE SIDE)	1
3	4552320	DECAL - MICHELINA'S - DOOR - BOTTOM.	1
4	4552319	DECAL - MICHELINA'S - DOOR - TOP	1



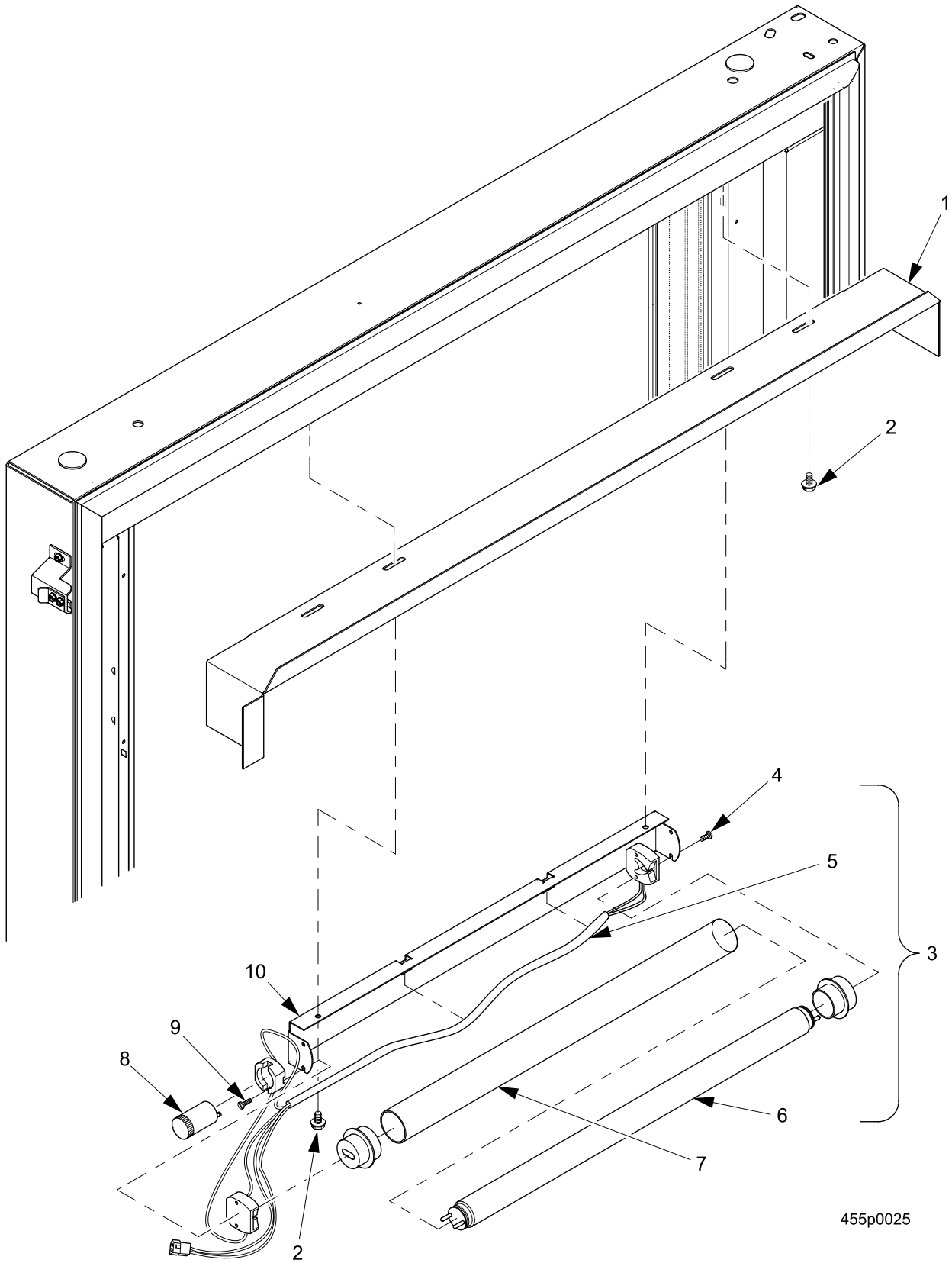
455p0028

FIGURE 5: DOOR GLASS



TABLE 5: DOOR GLASS

INDEX	PART NUMBER	DESCRIPTION	QTY
1	4552027	COVER - PACKING - HORIZONTAL	2
2	4744031	SEAL - .50 X.50	137"
3	4552029	PACKING - HORIZONTAL - DOOR	2
4	4552026	GLASS - INSULATED & HEATED 115V	1
	4554552	GLASS - INSULATED - 230V 25 / CONT.	
5	4552030	PACKING - VERTICAL - DOOR	2
6	4552028	COVER - PACKING - VERTICAL	2
7	4552032	SCREW - #8 - 1/2 PHILLIPS - PH. - S.S.	18



455p0025

**FIGURE 6: UPPER DOOR LIGHT ASSEMBLY**

TABLE 6: UPPER DOOR LIGHT ASSEMBLY

INDEX	PART NUMBER	DESCRIPTION	QTY
1	4552158	DEFLECTOR - LIGHT - FREEZER	1
2	1451097	SCREW - #8 - 32X.31 HEX HD.TF - BLACK	4
3	6231232	LIGHT ASSEMBLY - FLUORESCENT (INCLUDES ITEMS 4 - 6)	1
4	9900219	SCREW - #4 - 36 X .437 RH PHILLIPS	2
5	2346016	HARNESS - FLUORESCENT LIGHT	1
6	2222096	FLUORESCENT LAMP #F15T8CW	1
7	6232305	LAMP SLEEVE & MALE END CAP ASSEMBLY	1
8	2222095	FLUORESCENT LAMP STARTER FS - 2 KB	1
9	3107171	SCREW - #4 - 36 X 5/8 RHS	2
10	2272036	BRACKET LOWER LIGHT	1

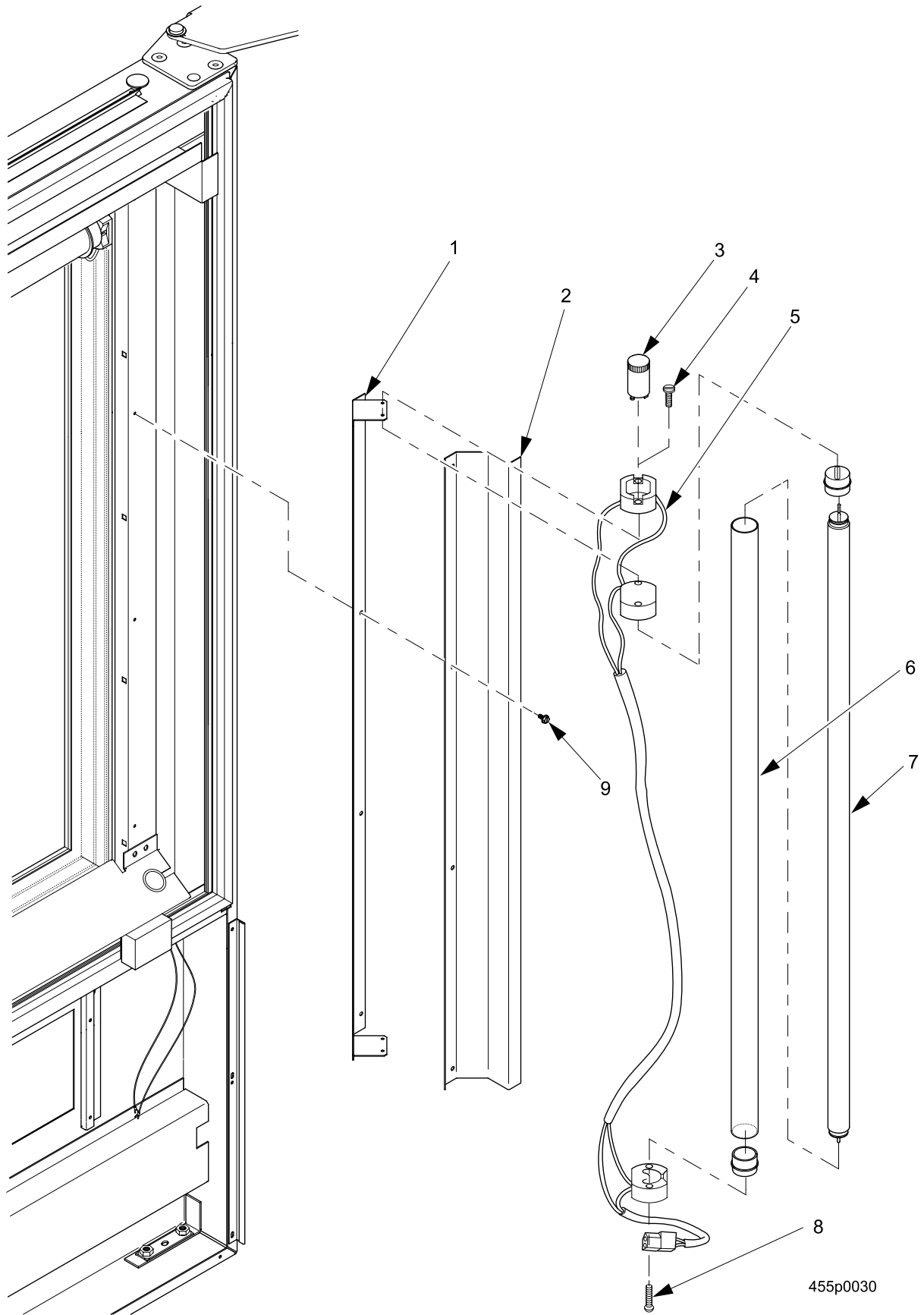


FIGURE 7: DOOR LIGHT ASSEMBLY - RIGHT SIDE

TABLE 7: DOOR LIGHT ASSEMBLY - RIGHT SIDE

INDEX	PART NUMBER	DESCRIPTION	QTY
--	4552087	LIGHT ASSEMBLY - SHIELD - DOOR - RIGHT	1
1	4552088	SHIELD - LAMP - DOOR - BLACK	1
2	4552159	DEFLECTOR - DOOR - LAMP - WHITE	1
3	4031150	FLUORESCENT LAMP STARTER FS - 4	1
4	3107171	SCREW - #4 - 36 X 5/8 RHS	2
5	4559004	HARNESS - RIGHT FLUORESCENT LAMP	1
6	4552025	SAFETY LAMP SLEEVE W/END CAPS	1
7	4242045	FLUORESCENT LAMP - 30W - F30T8/CWX	1
8	9900219	SCREW - #4 - 36 X .437 RH PHILLIPS	--
9	1451097	SCREW - #8 - 32X.31 HEX HD.TF - BLACK	--

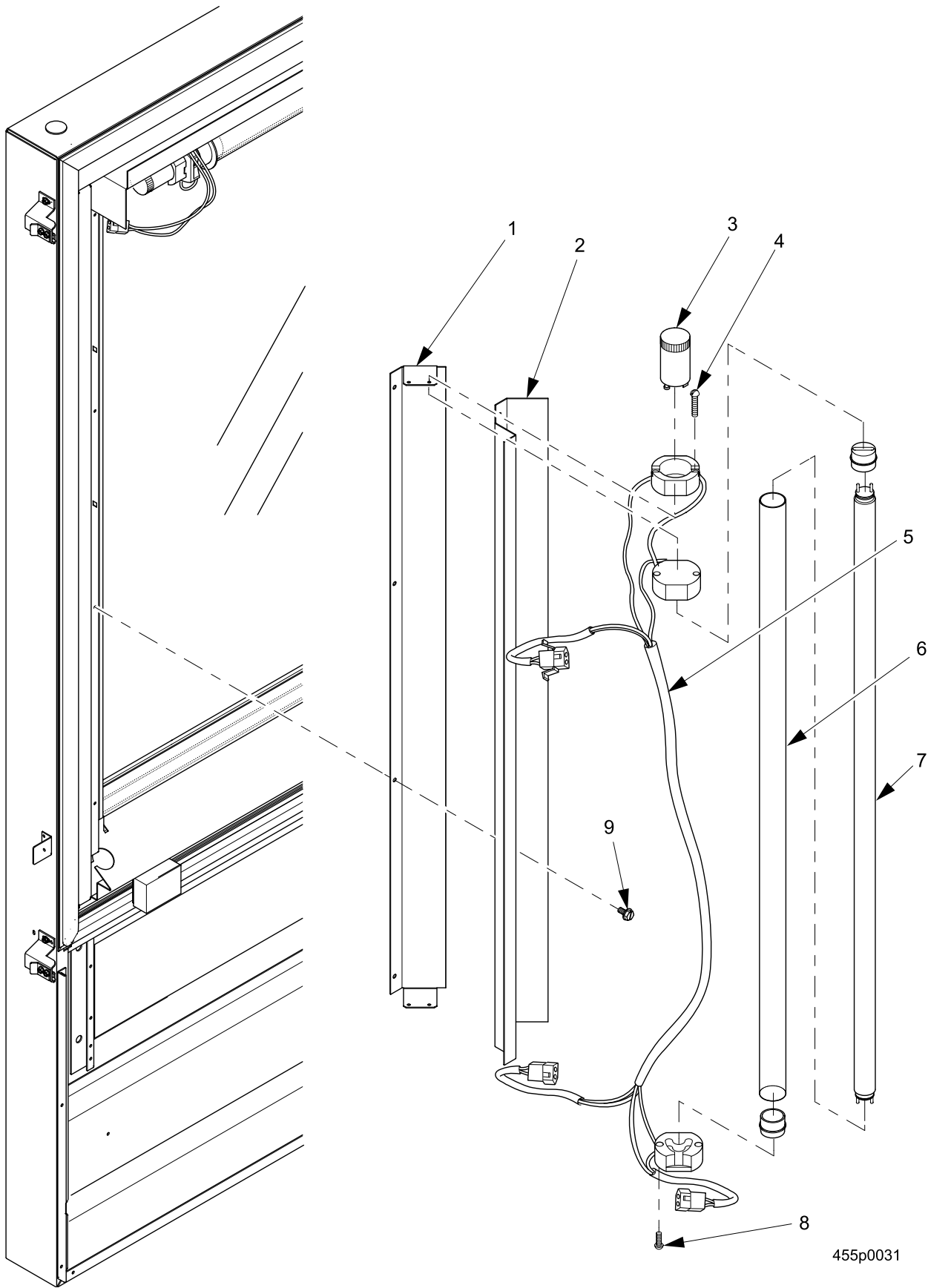
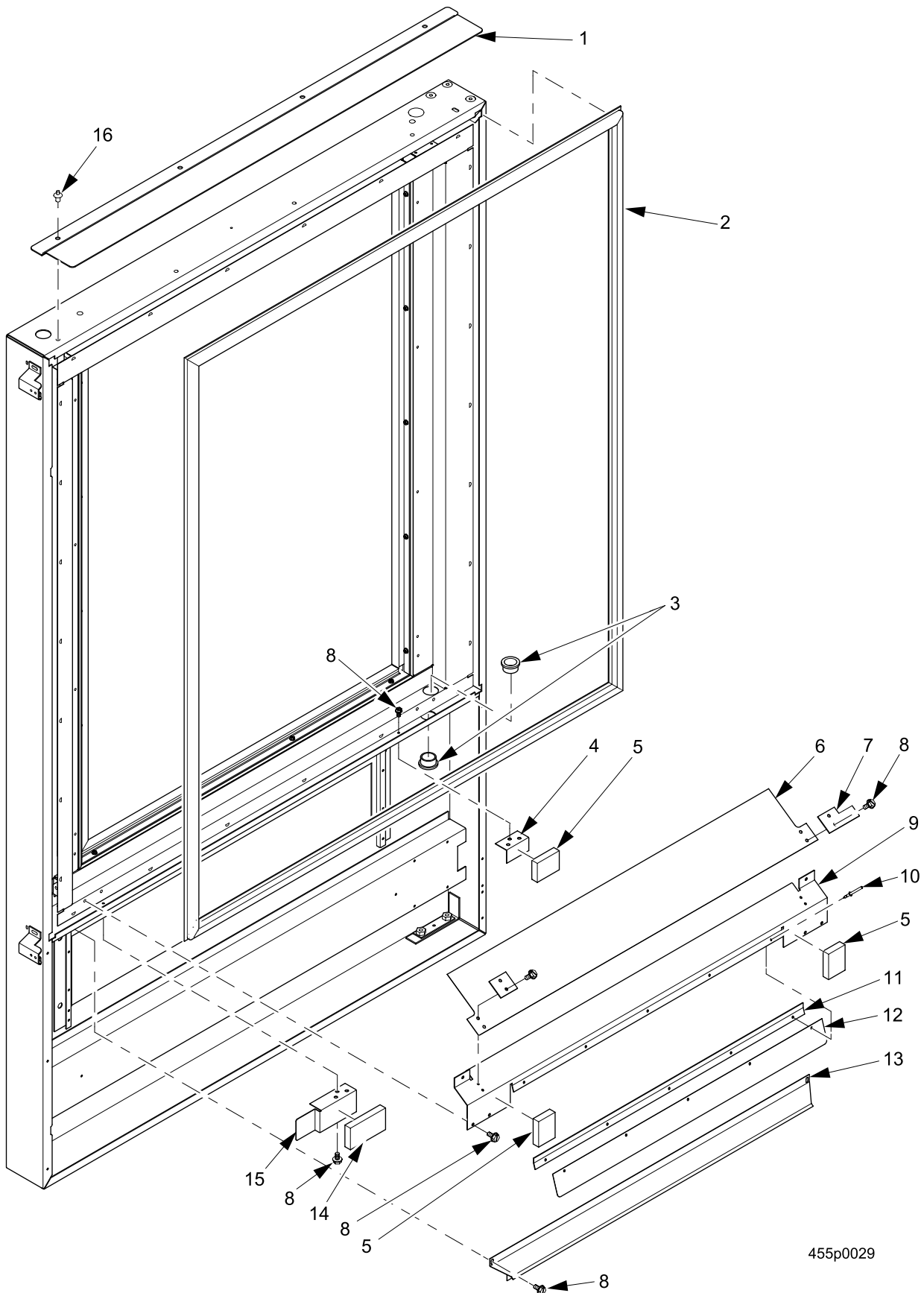


FIGURE 8: DOOR LIGHT ASSEMBLY - LEFT SIDE

TABLE 8: DOOR LIGHT ASSEMBLY - LEFT SIDE

INDEX	PART NUMBER	DESCRIPTION	QTY
--	4552086	LIGHT ASSEMBLY - SHIELD - DOOR - LEFT	1
1	4552088	SHIELD - LAMP - DOOR - BLACK	1
2	4552089	DEFLECTOR - DOOR - LAMP - WHITE	1
3	4031150	FLUORESCENT LAMP STARTER FS - 4	1
4	3107171	SCREW - #4 - 36 X 5/8 RHS	2
5	4559017	HARNESS - LEFT FLUORESCENT LAMP	1
6	4552025	SAFETY LAMP SLEEVE W/END CAPS	1
7	4242045	FLUORESCENT LAMP - 30W - F30T8/CWX	1
8	9900219	SCREW - #4 - 36 X .437 RH PHILLIPS	2
9	1451097	SCREW - #8 - 32X.31 HEX HD.TF - BLACK	4



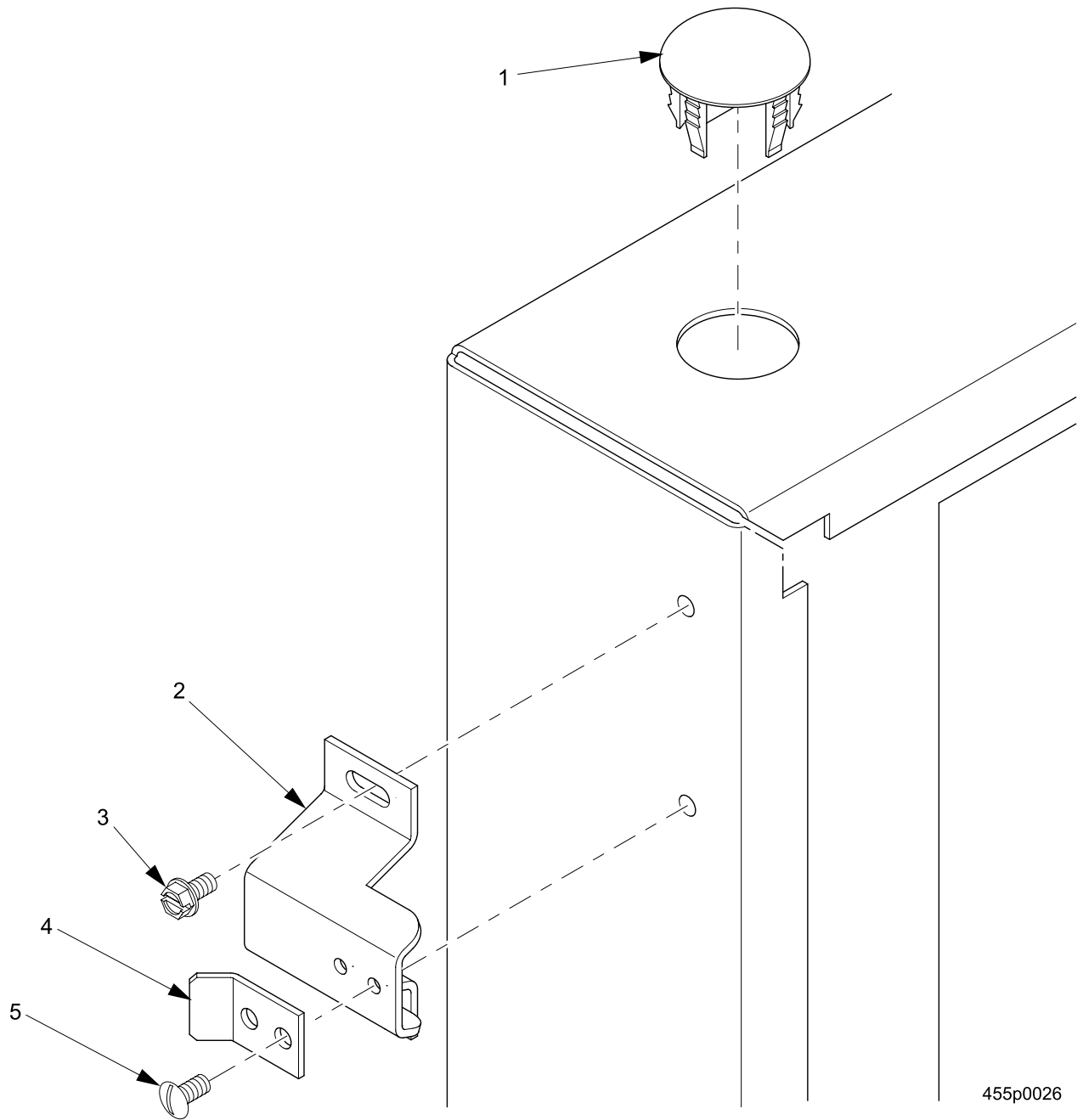
455p0029

FIGURE 9: INTERIOR DOOR PARTS



TABLE 9: INTERIOR DOOR PARTS

INDEX	PART NUMBER	DESCRIPTION	QTY
1	4552318	PANEL - VANDAL - DOOR	1
2	4552323	GASKET - DOOR - FREEZER - SANOPRENE	1
3	4271057	BUSHING - 1.0" - OPEN/CLOSED	2
4	4552315	BRACKET - MOUNT - SEAL - DOOR	1
5	4551287	SEAL - SUPPORT - DOOR - RETRACTABLE	1
6	4552111	DEFLECTOR - PLASTIC - FREEZER	1
7	4552112	HOLD DOWN - DEFLECTOR	2
--	4552317	DEFLECTOR ASSEMBLY - FREEZER DOOR 115V (ITEMS 8-12)	--
	4552338	DEFLECTOR ASSEMBLY - FREEZER DOOR 230V (ITEMS 8-12)	
8	1451097	SCREW - #8 - 32X.31 HEX HD.TF - BLACK	18
9	4552154	DEFLECTOR - DOOR - FREEZER	1
10	3502078	RIVET - POP - .125 DIA X .265	5
11	4552152	DEFLECTOR - BACKING PLATE	1
12	4552153	DEFLECTOR - DOOR - LOWER - FREEZER	1
13	1672035	DEFLECTOR - UPPER - 38" - FLAT "T" BLACK	1
14	4552168	SEAL - SUPPORT - DOOR - 3.2 X 1.7	1
15	4551309	BRACKET - MOUNTING - SEAL DOOR	1
16	7211272	RIVET - 1/4 DIA.X 3/8 ALUMINUM DRIVE	4

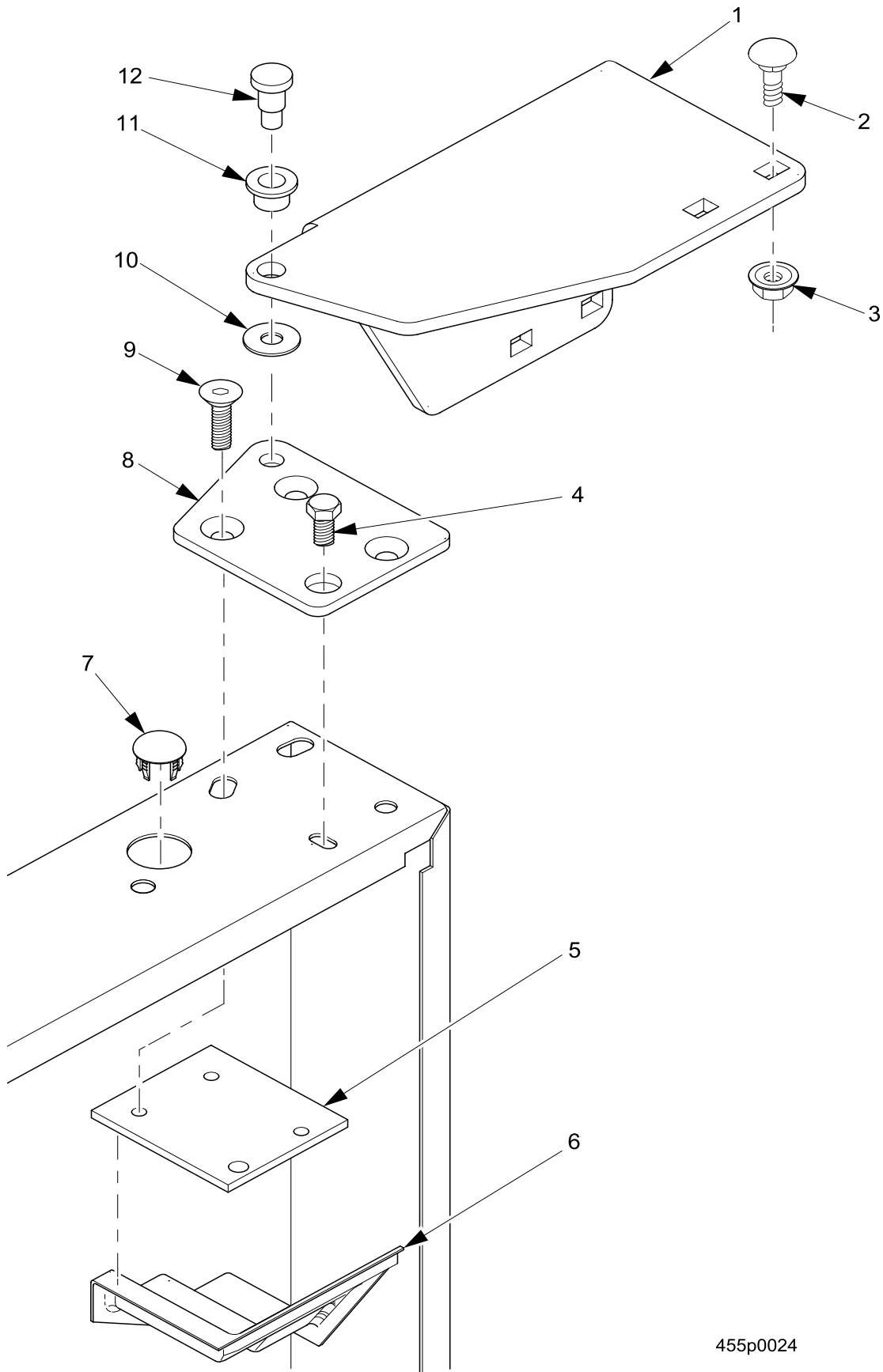


455p0026

FIGURE 10: DOOR LATCH DETAIL

TABLE 10: DOOR LATCH DETAIL

INDEX	PART NUMBER	DESCRIPTION	QTY
1	4311096	PLUG - FOAMING HOLE	2
2	4552150	BRACKET - MAIN DOOR LATCH MOUNTING	2
3	1451097	SCREW - #8 - 32X.31 HEX HD.TF - BLACK	4
4	4552072	KEEPER - CONCEALED	2
5	9900166	SCREW #8-32 X 5/16 THS S/T	4



455p0024

FIGURE 11: DOOR HINGE ASSEMBLY - UPPER

TABLE 11: DOOR HINGE ASSEMBLY - UPPER

INDEX	PART NUMBER	DESCRIPTION	QTY
--	4552340	HINGE ASSEMBLY - DOOR - FREEZER (INCLUDES INDEX NUMBERS 1, 6, 8, 9, 10)	1
1	4552339	PLATE - HINGE - CABINET - TOP - PAINTED	1
2	1171021	5/16 - 18X3/4 CARR BOLT ZP	4
3	1171022	5/16 - 18 KEPS CON/SER WASHER	4
4	6233021	SCREW - 1/4 X 20 X .5 HEX HD	1
5	4552097	NUTPLATE ASSEMBLY - UPPER HINGE	1
6	4552019	COVER - PLATE - HINGE - ADJUSTABLE	1
7	4311096	PLUG - FOAMING HOLE	1
8	4552108	PLATE - DOOR HINGE - UPPER - PAINTED	1
9	6232036	SCREW - 5/16 - 18X.75 FLT.HD SOCKET	--
10	1172261	WASHER - SPACER .69X.265X22GA CRS ZP	1
11	1172262	BUSHING - DOOR HINGE - UPPER	1
12	3152398	PIN - DOOR HINGE - UPPER	1

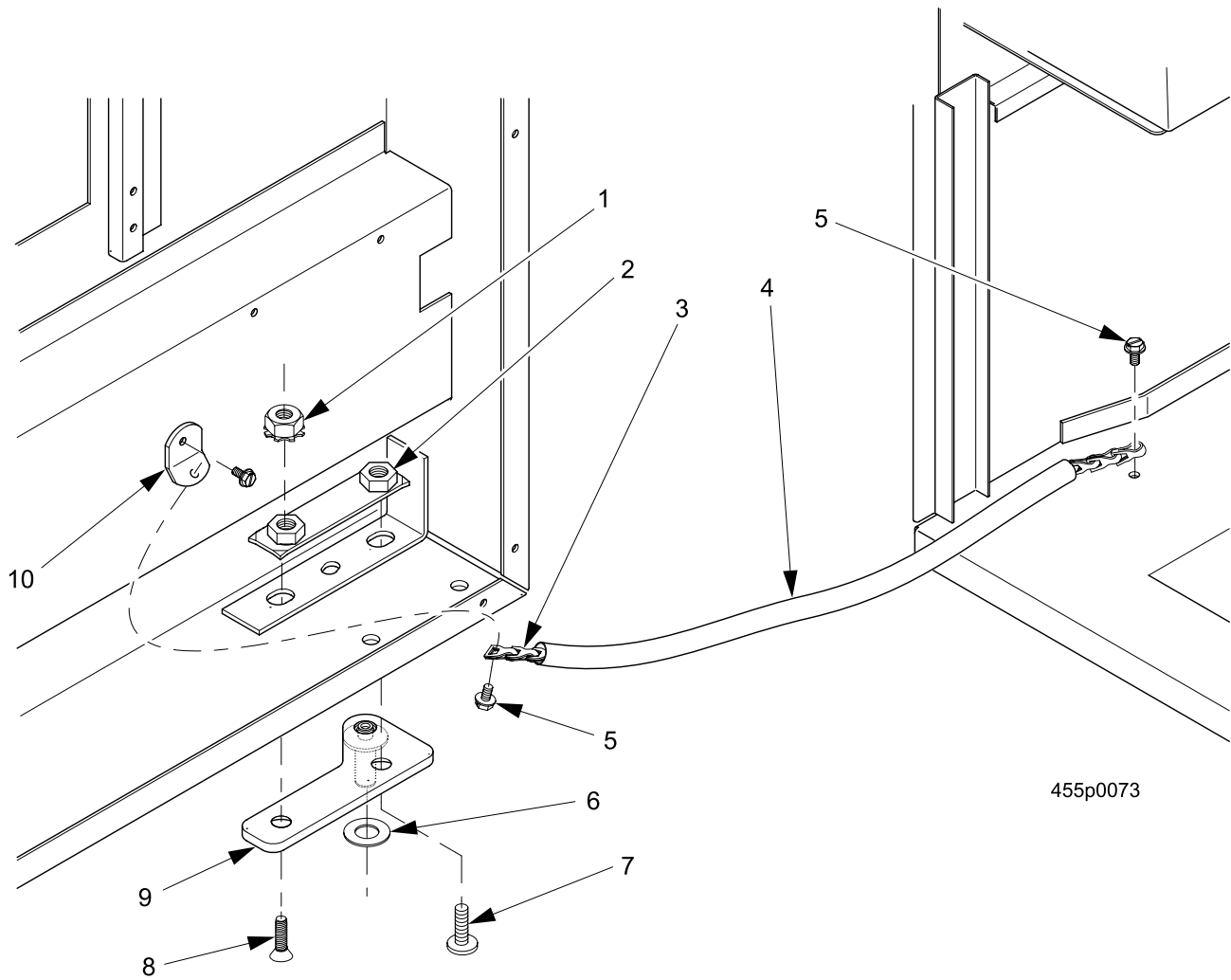


FIGURE 12: DOOR HINGE ASSEMBLY - LOWER

TABLE 12: DOOR HINGE ASSEMBLY - LOWER

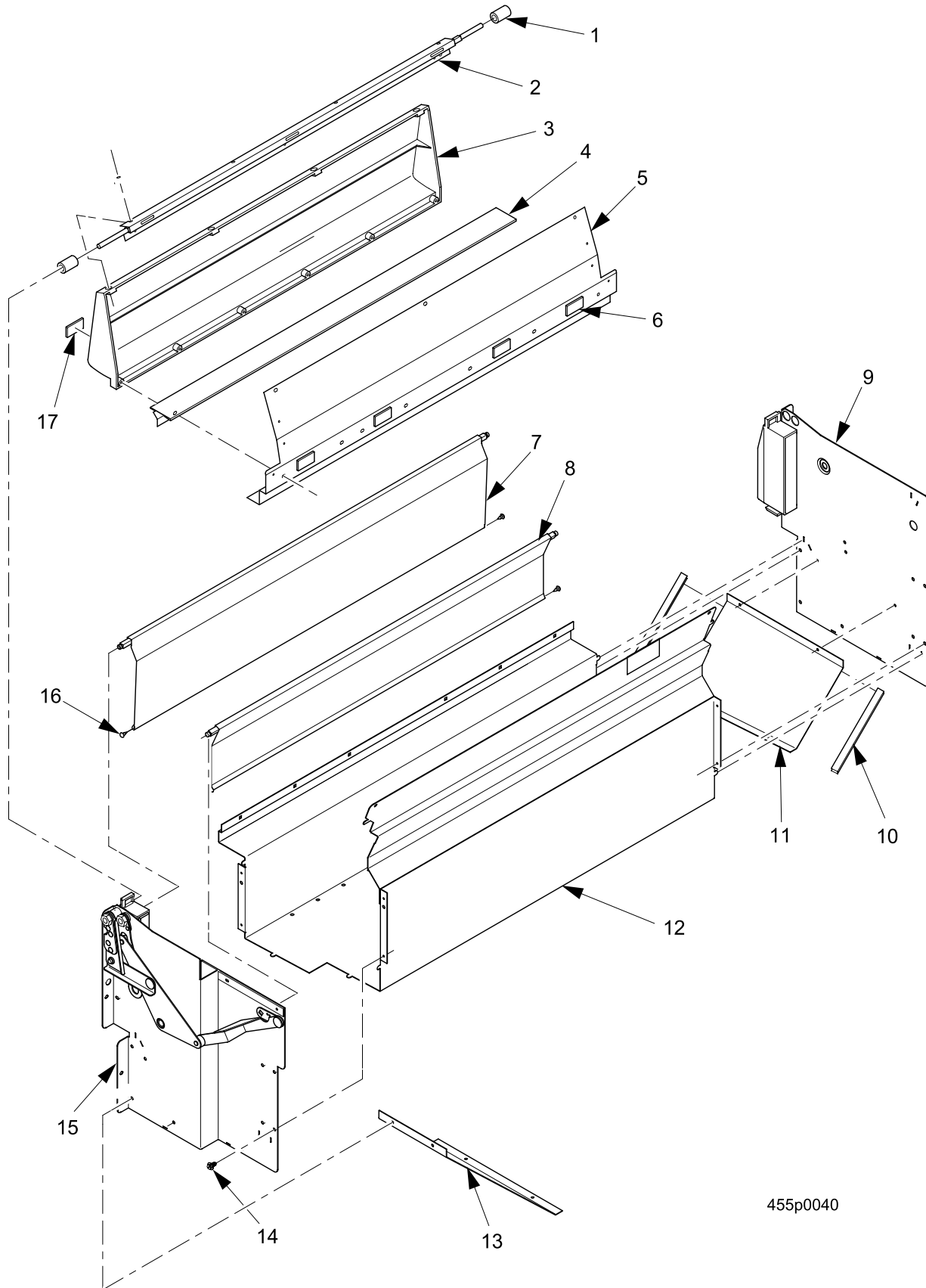
INDEX	PART NUMBER	DESCRIPTION	QTY
1	1211105	1/4-20 KEPS NUT EXT LW ZP	1
2	6232028	PLATE ASSEMBLY - HINGE MOUNTING	1
3	4552122	CHAIN - SASH - 13.8 LONG	1
4	4552121	COVER - CHAIN	--
5	1451097	SCREW - #8-32X.31 HEX HD.TF - BLACK	2
6	4242145	BEARING - THRUST - LOWER HINGE	1
7	6232036	SCREW - 5/16 - 18X.75 FLT.HD SOCKET	1
8	6232208	WELD SCREW - #1/4-20 X 1"LG	1
9	6232031	HINGE ASSEMBLY - DOOR - LOWER	1
10	4301285	BRACKET - DOOR CHAIN	1





TABLE 13: HARNESSSES AND BALLAST ASSEMBLIES

INDEX	PART NUMBER	DESCRIPTION	QTY
1	4559008	HARNESS - FLUORESCENT LAMP	2
2	4559016	FILTER - FLUORESCENT LAMP	1
3	4552118	PLATE - BALLAST - FREEZER	1
4	4551342	BALLAST ASSEMBLY - 40W - 115V - LOW AMBIENT	2
	4252187	BALLAST ASSEMBLY - 30W - 230V	
5	3157060	SCREW - #8 - 32 X .31 HEX W/ HD. SLOTTED	6
6	1451097	SCREW - #8 - 32 X.31 HEX HD.TF - BLACK	6
7	4552119	COVER - BALLAST - FREEZER	1
	4552322	COVER - BALLAST - FREEZER - INTERNATIONAL (230V)	
8	4559024	JUMPER - POWER PANEL TO FLUORESCENT LIGHT	1
9	3104056	BUSHING #SR - 7W - 2	1
10	4552341	GFCI - FEED THROUGH	1
11	9900081	NUT #8-32 KEPS ZINC PLATE	2
12	4551341	BALLAST ASSEMBLY - 13W - 115V - LOW AMBIENT	1
	4552327	BALLAST ASSEMBLY - 15/20 WATTS - 230V	
--	4552316	DECAL - GFCI RESET (NOT SHOWN)	1



455p0040

FIGURE 14: DELIVERY PAN ASSEMBLY - PART 1

TABLE 14: DELIVERY PAN ASSEMBLY - PART 1

INDEX	PART NUMBER	DESCRIPTION	QTY
--	4552062	DELIVERY PAN ASSEMBLY	1
1	1572315	SPACER - DELIVERY DOOR	2
2	1672137	CHANNEL ASSEMBLY - 38" - DELIVERY DOOR	1
3	1572053	DOOR - DELIVERY - 38"	1
4	7211273	FILLER - FRONT - 38"	1
5	1572289	BACK - DELIVERY DOOR - 38"	1
6	4112088	GASKET - FOAM	A/R
7	1672037	DOOR ASSEMBLY - PILFER - 38" - FLAT "T" BLACK	1
8	7212151	WELD ASSEMBLY - REAR DOOR - 38"	1
9	4552144	SIDE PLATE ASSEMBLY - RIGHT (LOCK SIDE)	1
10	1271081	GROMMET STRIP	A/R
11	4552148	DEFLECTOR - LEFT (HINGE SIDE) - BUCKET	1
12	4552139	WELD ASSEMBLY - DELIVERY PAN	1
13	4552147	DEFLECTOR - RIGHT (LOCK SIDE) - BUCKET	1
14	4721035	SCREW-#8-18 X .38-LGM	2
15	4552141	SIDE PLATE ASSEMBLY - LEFT (HINGE SIDE)	1
16	2347026	CANOE CLIP - .270 DIA.	4
17	1412058	TAPE - VINYL FOAM	3

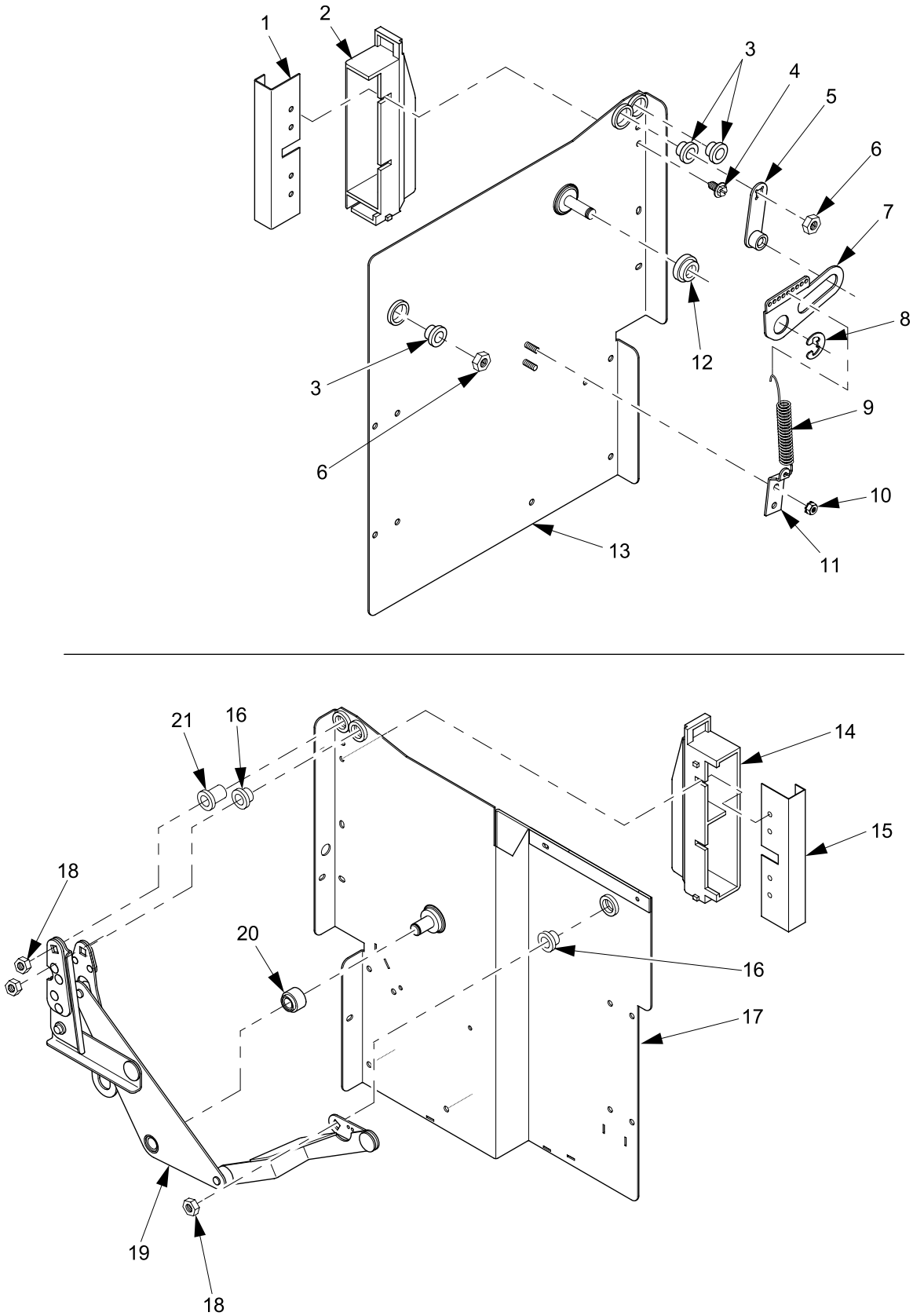


FIGURE 15: SIDE PLATE ASSEMBLIES

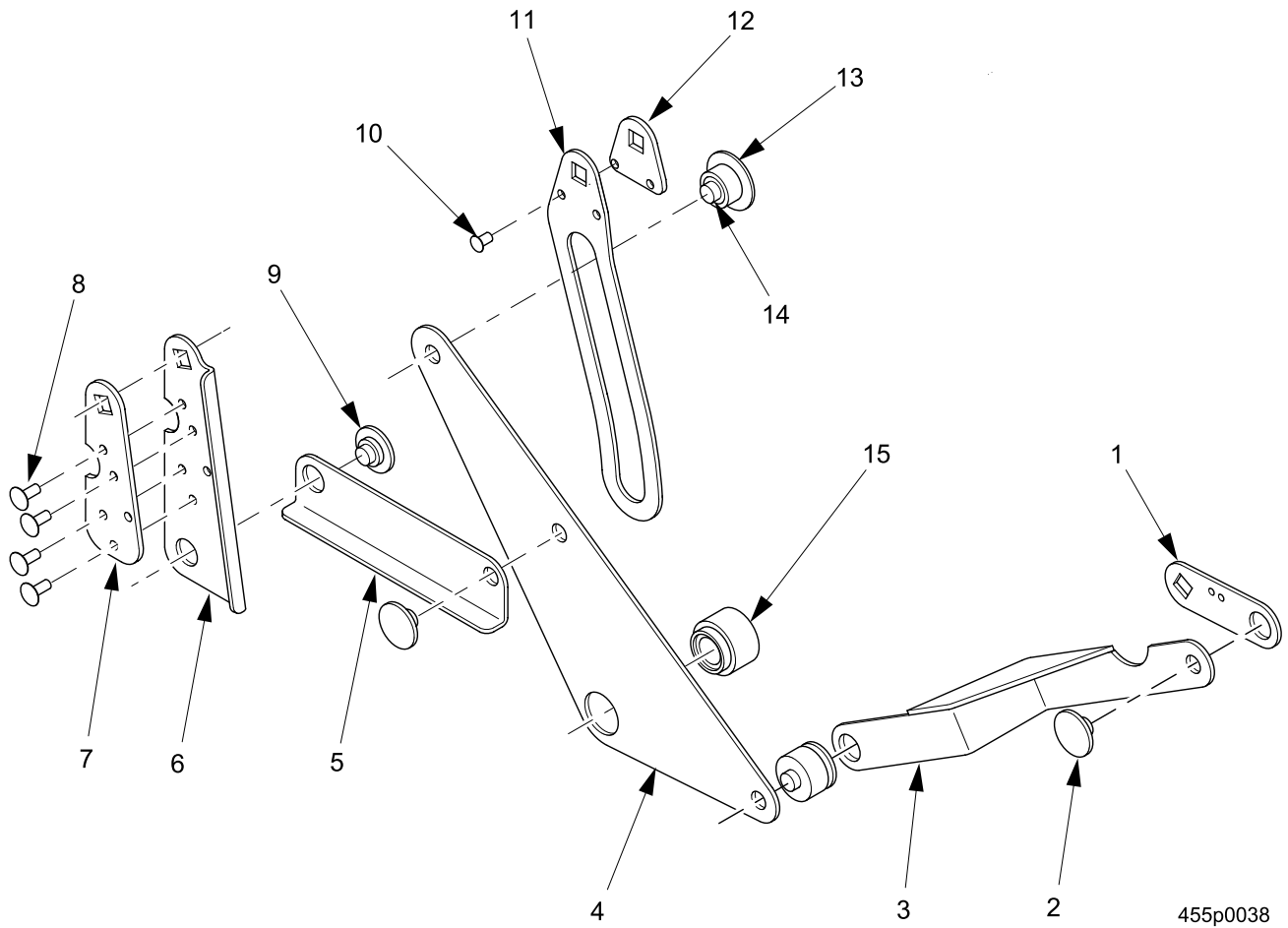
455p0037

**TABLE 15A: SIDE PLATE ASSEMBLY - LEFT (HINGE SIDE)**

INDEX	PART NUMBER	DESCRIPTION	QTY
1	1672084	CHANNEL - FILLER MOUNT	1
2	1572229	FILLER - LEFT HAND	1
3	1572452	SLEEVE - PILFER DOOR - LEFT	1
4	4721035	SCREW-#8-18 X .38-LGM	2
5	1572353	ARM ASSEMBLY - SPRING ASSIST	1
6	9900184	NUT 1/4-20 SELF - LOCKING	3
7	1572423	ACTUATOR ASSEMBLY - SPRING ASSIST	1
8	9900437	RETAINING RING REINF E TYP.375	1
9	1572420	SPRING	1
10	9900081	NUT #8 - 32 KEPS ZINC PLATE	4
11	1572421	ANCHOR - SPRING	1
12	1572317	COLLAR - SPRING ASSIST ARM	1
13	4552144	SIDE PLATE ASSEMBLY (HINGE SIDE)	1

**TABLE 15B: DELIVERY PAN ASSEMBLY - RIGHT (LOCK SIDE)**

INDEX	PART NUMBER	DESCRIPTION	QTY
14	1572230	FILLER - RIGHT HAND	1
15	1672084	CHANNEL - FILLER MOUNT	1
16	1572417	SLEEVE - PILFER & REAR DOOR - RIGHT	2
17	4552141	SIDE PLATE ASSEMBLY - (LOCK SIDE)	1
18	9900184	NUT 1/4-20 SELF - LOCKING	3
19	7212060	OUTDOOR LINKAGE ASSEMBLY - (LOCK SIDE)	1
20	1572316	COLLAR - INTERMEDIATE ARM	1
21	1572416	SLEEVE - DELIVERY DOOR	2



455p0038

FIGURE 16: DELIVERY PAN ASSEMBLY - LINKAGE DETAIL

TABLE 16: DELIVERY PAN ASSEMBLY - LINKAGE DETAIL

INDEX	PART NUMBER	DESCRIPTION	QTY
1	7212061	ARM - REAR DELIVERY DOOR	1
2	1572318	STUD - LINKAGE ASSEMBLY	2
3	7212189	WELD ASSEMBLY - REAR DELIVERY DOOR LINK	1
4	1572304	ARM - INTERMED. - DELIVERY DOOR	1
5	1572303	LINK - INTERMED. - DELIVERY DOOR	1
6	1572356	ARM - DELIVERY DOOR - 20.5DEG	1
7	1572357	PLATE - BACKING - 20.5 DEG.	1
8	1572330	RIVET - SEMI - TUBULAR - .120 DIA.	4
9	1572318	STUD - LINKAGE ASSEMBLY	1
10	9900141	RIVET SEMI - TUBULAR.120 D.X.203	2
11	1572334	ARM - PILFERAGE DOOR - 72DEG	1
12	1572335	PLATE - BACKING - PILFERAGE	1
13	1572319	ROLLER - INTERMEDIATE ARM ASSEMBLY	1
14	1572320	STUD - INTERMEDIATE ARM ASSEMBLY	1
15	1572316	COLLAR - INTERMEDIATE ARM	1

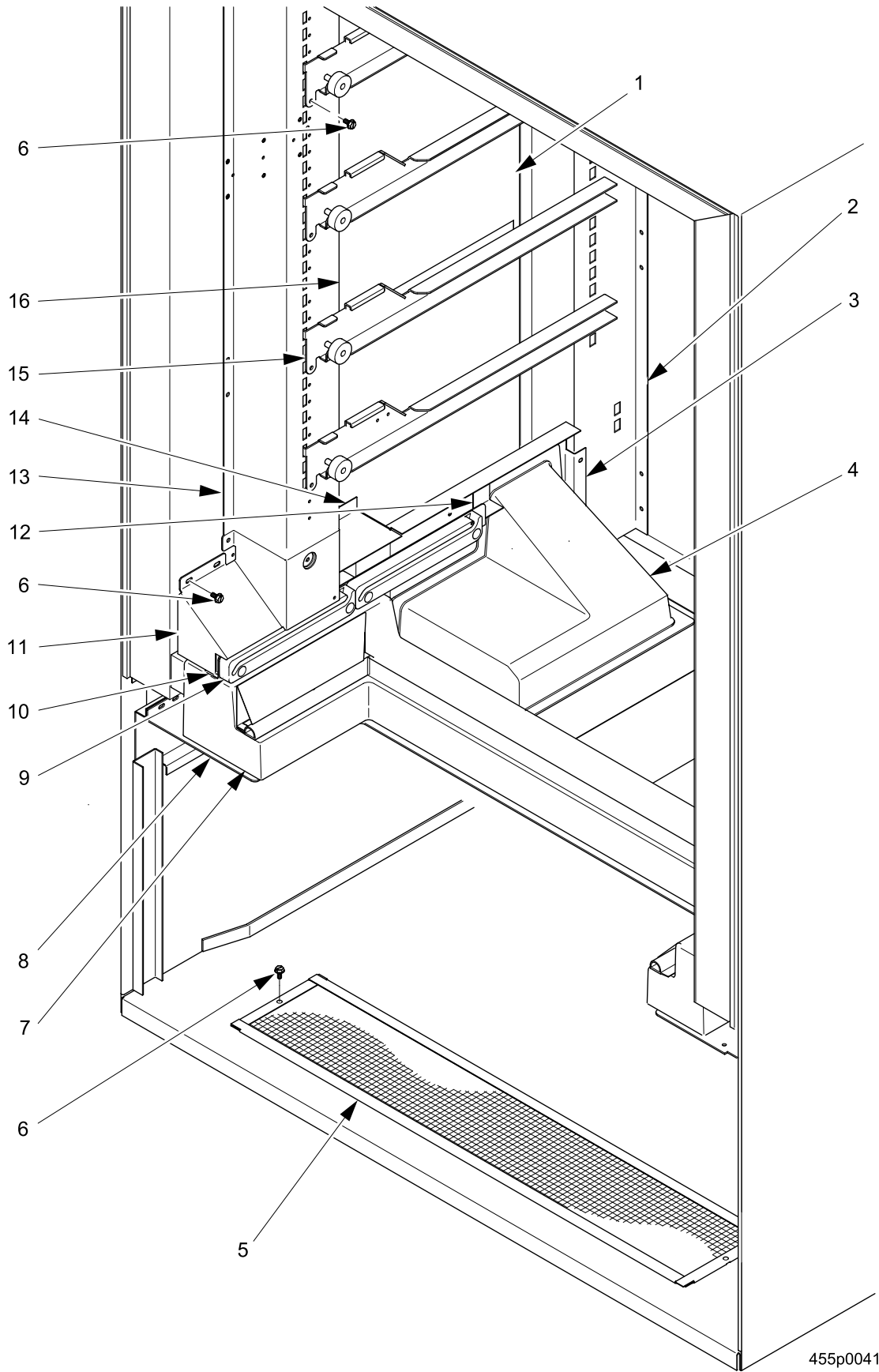


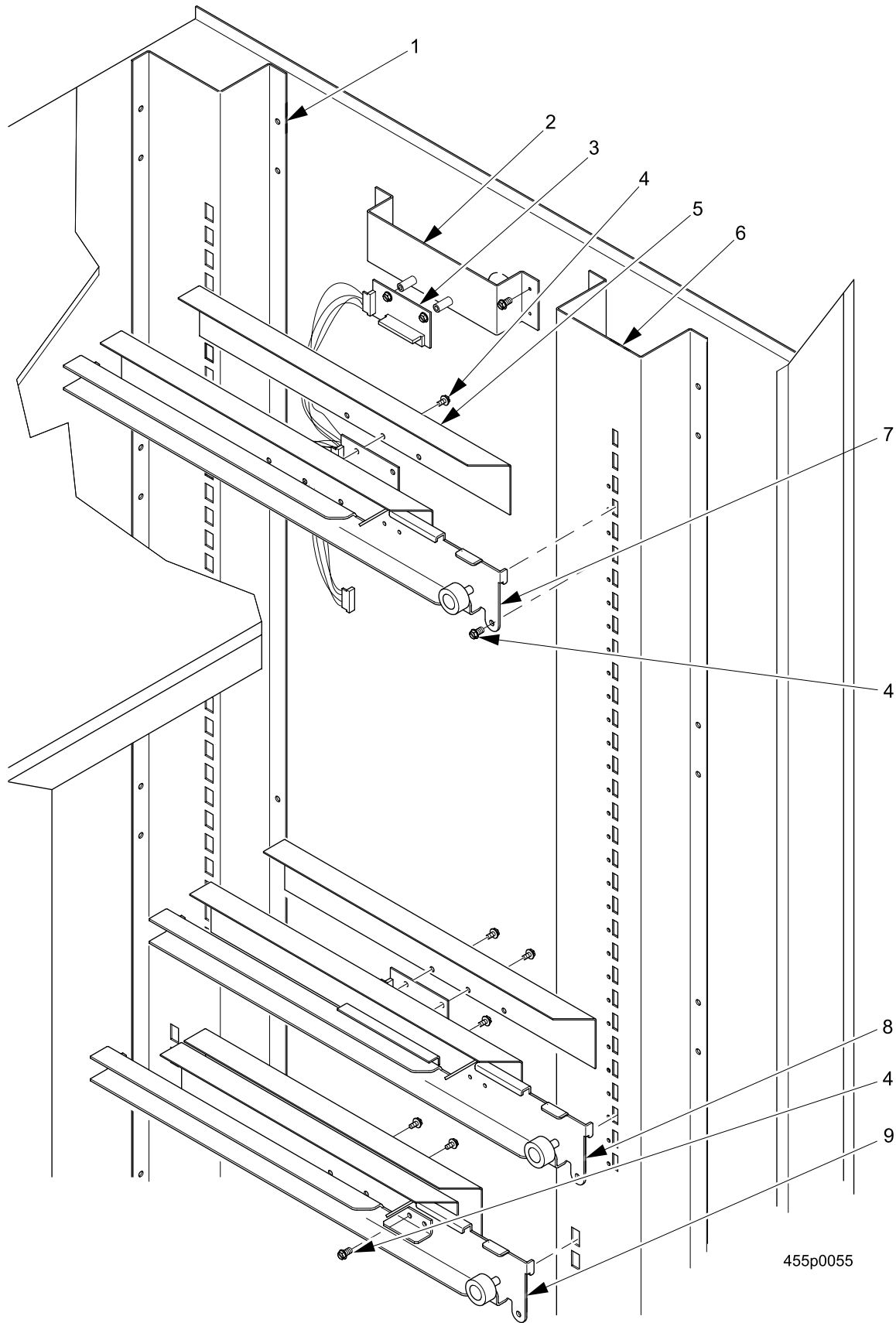
FIGURE 17: MISCELLANEOUS MOUNTED PARTS

455p0041



TABLE 17: MISCELLANEOUS MOUNTED PARTS

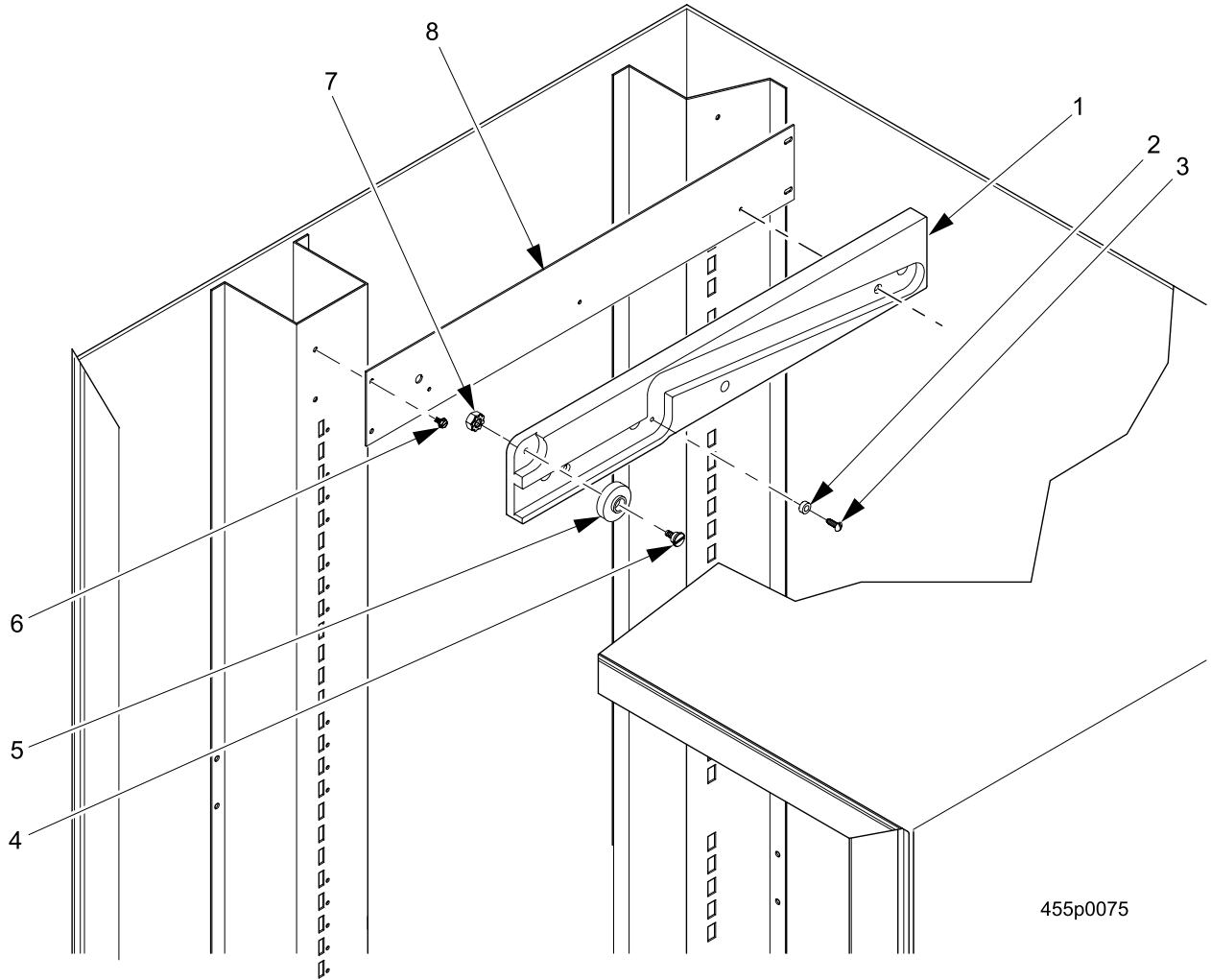
INDEX	PART NUMBER	DESCRIPTION	QTY
1	4552134	DUCT - AIR - VERTICAL	1
2	4551357	CHANNEL-SUPPORT-LEFT REAR	1
3	4552056	TRANSITION DUCT - DISCHARGE	1
4	4551005	DUCT - OUTLET	1
5	4552036	SCREEN ASSEMBLY - AIR INLET	1
6	1451097	SCREW - #8 - 32X.31 HEX HD.TF - BLACK	--
7	4551261	BARRIER ASSEMBLY - FINAL	1
8	4551252	SUPPORT - BARRIER	1
--	4551098	GUIDE & SUPPORT ASSEMBLY - DOOR - LEFT (INCLUDES 9, 10)	--
9	4551008	GUIDE - LEFT	2
10	4551237	SUPPORT - GUIDE - LEFT	1
11	4551361	CHANNEL - SUPPORT - LEFT - FRONT - LOWER	1
12	4551285	BRACKET - REAR - TRACK - MOUNTING	2
13	4551359	CHANNEL - SUPPORT - LEFT FRONT - UPPER	1
14	4552055	BAFFLE - BOTTOM	1
15	1701004	RAIL GUIDE - LEFT (HINGE SIDE)	1
--	1701001	RAIL GUIDE - RIGHT (LOCK SIDE) (NOT SHOWN)	1
16	4552049	CHANNEL - SUPPORT - LEFT - FRONT	1
--	3271014	POWER CORD ASSEMBLY - 20A - 115V (NOT SHOWN)	1
	9989560	POWER CORD - AUSTRALIA/NEW ZEALAND (NOT SHOWN)	
	9989576	POWER CORD - W/BSI PLUG (NOT SHOWN)	



**FIGURE 18: TRAY RAILS - RIGHT SIDE**

TABLE 18: TRAY RAILS - RIGHT SIDE

INDEX	PART NUMBER	DESCRIPTION	QTY
1	4551358	CHANNEL - SUPPORT - RIGHT REAR	1
2	4551318	BRACKET ASSEMBLY - PCB MOUNTING - FREEZER	1
3	9989833	PCB ASSEMBLY - TRAY - FROZEN/COLD FOOD	3
4	1451097	SCREW - #8 - 32X.31 HEX HD.TF - BLACK	--
5	4551195	SHIELD - TRAY RAIL/PCB - FREEZER	3
6	4551360	CHANNEL - SUPPORT - RIGHT FRONT - UPPER	1
7	4551185	TRAY GUIDE RAIL/PCB ASSEMBLY - RIGHT (LOCK SIDE)	3
8	4551192	GUIDE RAIL W/PCB & ADAPTER ASSEMBLY	1
9	4551197	TRAY - GUIDE RAIL - ASSEMBLY - LOWER	1

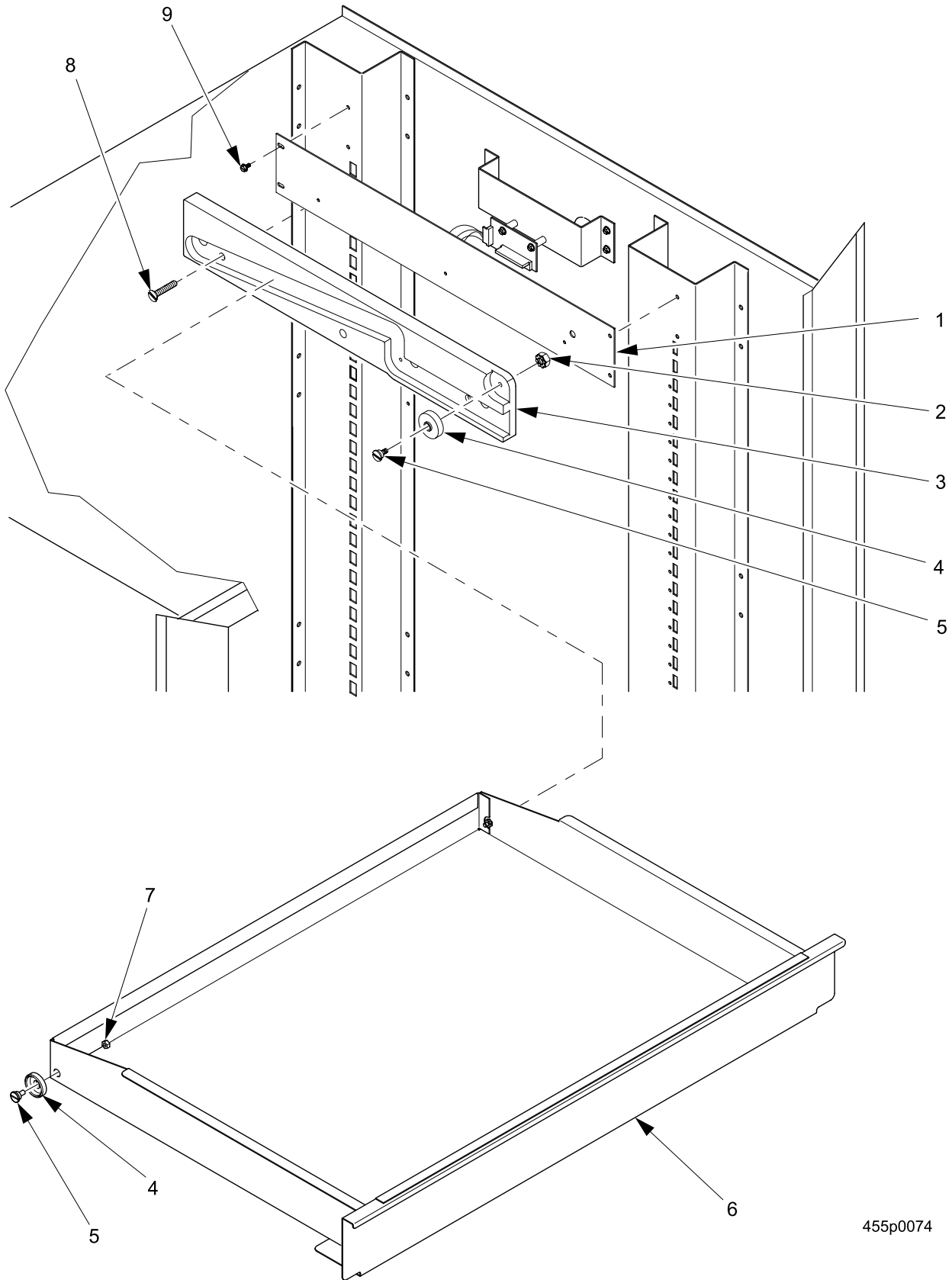


455p0075

FIGURE 19: LEFT HAND TRAY RAIL DETAIL

TABLE 19: LEFT HAND TRAY RAIL DETAIL

INDEX	PART NUMBER	DESCRIPTION	QTY
1	4247201	GUIDE - STORAGE TRAY - LEFT	1
2	2224552	LATCH SPACER - LOWER	1
3	4247206	SCREW - 8-18 X.75 FHS - TAPPING	3
4	4247204	STUD - STORAGE TRAY	2
5	4247205	ROLLER - STORAGE TRAY	2
6	1451097	SCREW - #8 - 32X.31 HEX HD.TF - BLACK	--
7	9900164	NUT #10 - 32 KEPS ZINC PLATE	2
8	4557012	PLATE - SIDE GUIDE MOUNTING	2



455p0074

FIGURE 20: STORAGE TRAY AND RIGHT HAND TRAY RAIL DETAIL

TABLE 20: STORAGE TRAY AND RIGHT HAND TRAY RAIL DETAIL

INDEX	PART NUMBER	DESCRIPTION	QTY
1	4557012	PLATE - SIDE GUIDE MOUNTING	2
2	9900164	NUT #10 - 32 KEPS ZINC PLATE	2
3	4247202	GUIDE - STORAGE TRAY - RIGHT	1
4	4247205	ROLLER - STORAGE TRAY	2
5	4247204	STUD - STORAGE TRAY	2
6	4557014	STORAGE TRAY ASSEMBLY - TOP	1
7	9900206	NUT #10-32 SELF - LOCKING	2
8	4247206	SCREW - 8 - 18 X.75 FHS - TAPPING	6
9	1451097	SCREW - #8 - 32X.31 HEX HD.TF - BLACK	--

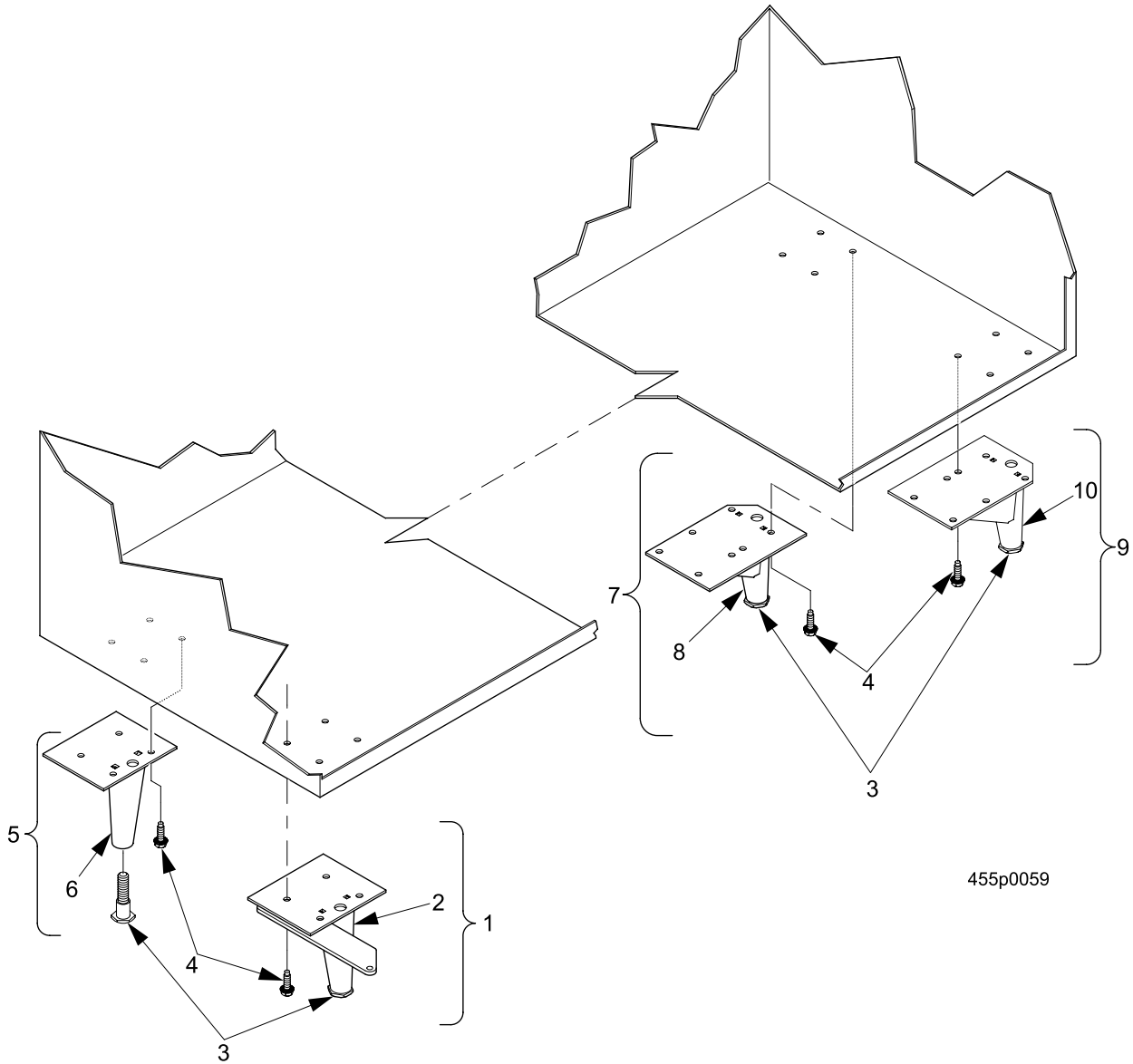
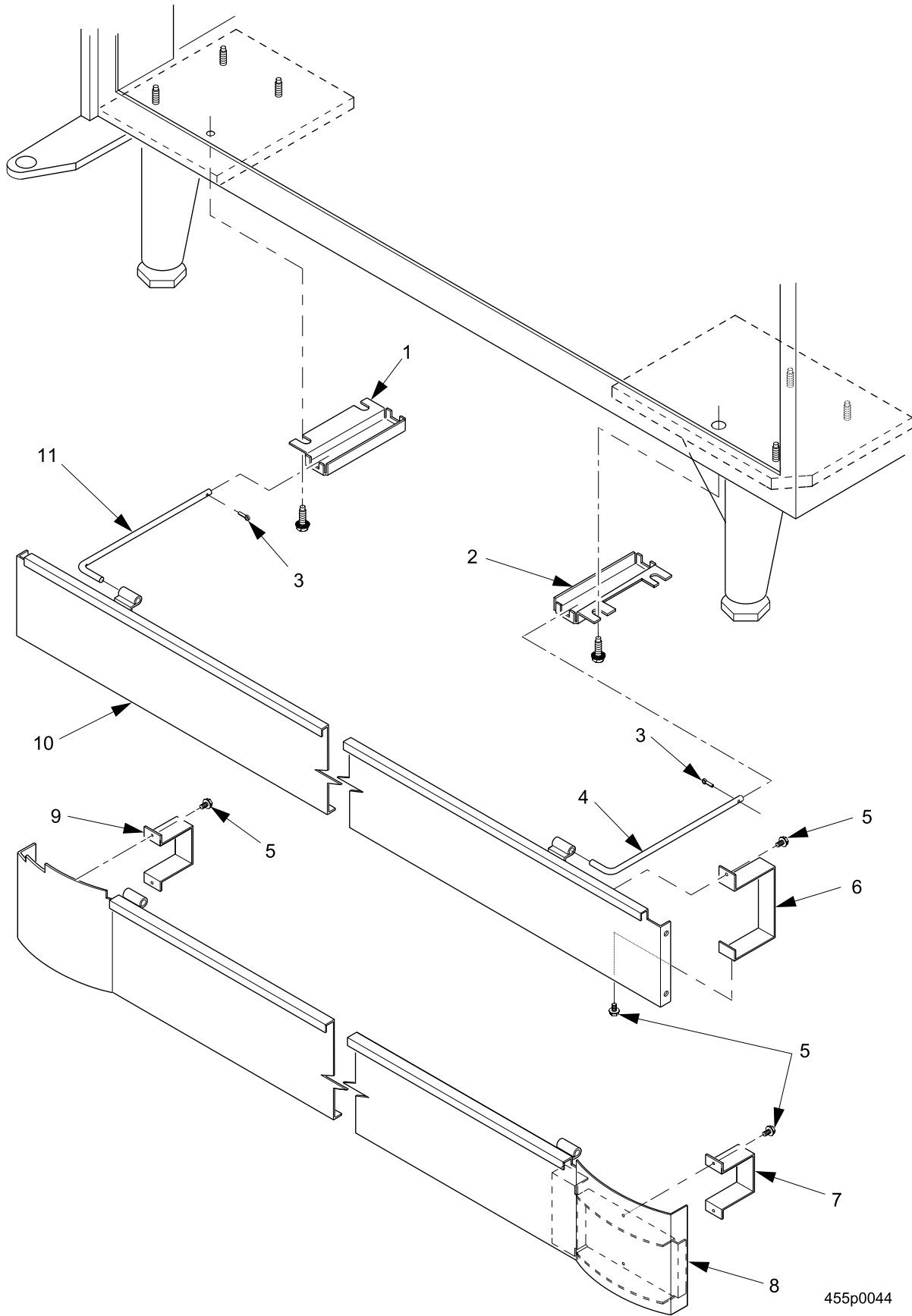


FIGURE 21: LEGS



TABLE 21: LEGS

INDEX	PART NUMBER	DESCRIPTION	QTY
1	4551354	LEG, HINGE & LEVELER ASSEMBLY (INCLUDES ITEMS 2, 4, 4)	1
2	4551353	WELD ASSEMBLY - LEG & HINGE	1
3	1471098	LEVELER - CABINET	1
4	9900218	SCREW - #5/16 X 1 W/LOCKING RING	4
5	1471237	LEG & LEVELER ASSEMBLY - CABINET (INCLUDES ITEMS 3, 4, 6)	1
6	4311068	LEG ASSEMBLY - CABINET - WELD	1
7	4551139	LEG & LEVELER ASSEMBLY - RIGHT REAR (INCLUDES ITEMS 3, 4, 8)	1
8	4551140	WELD ASSEMBLY - RIGHT REAR LEG	1
9	4551137	LEG & LEVELER ASSEMBLY - RIGHT FRONT (INCLUDES ITEMS 3, 4, 10)	1
10	4551138	WELD ASSEMBLY - RIGHT FRONT LEG	1

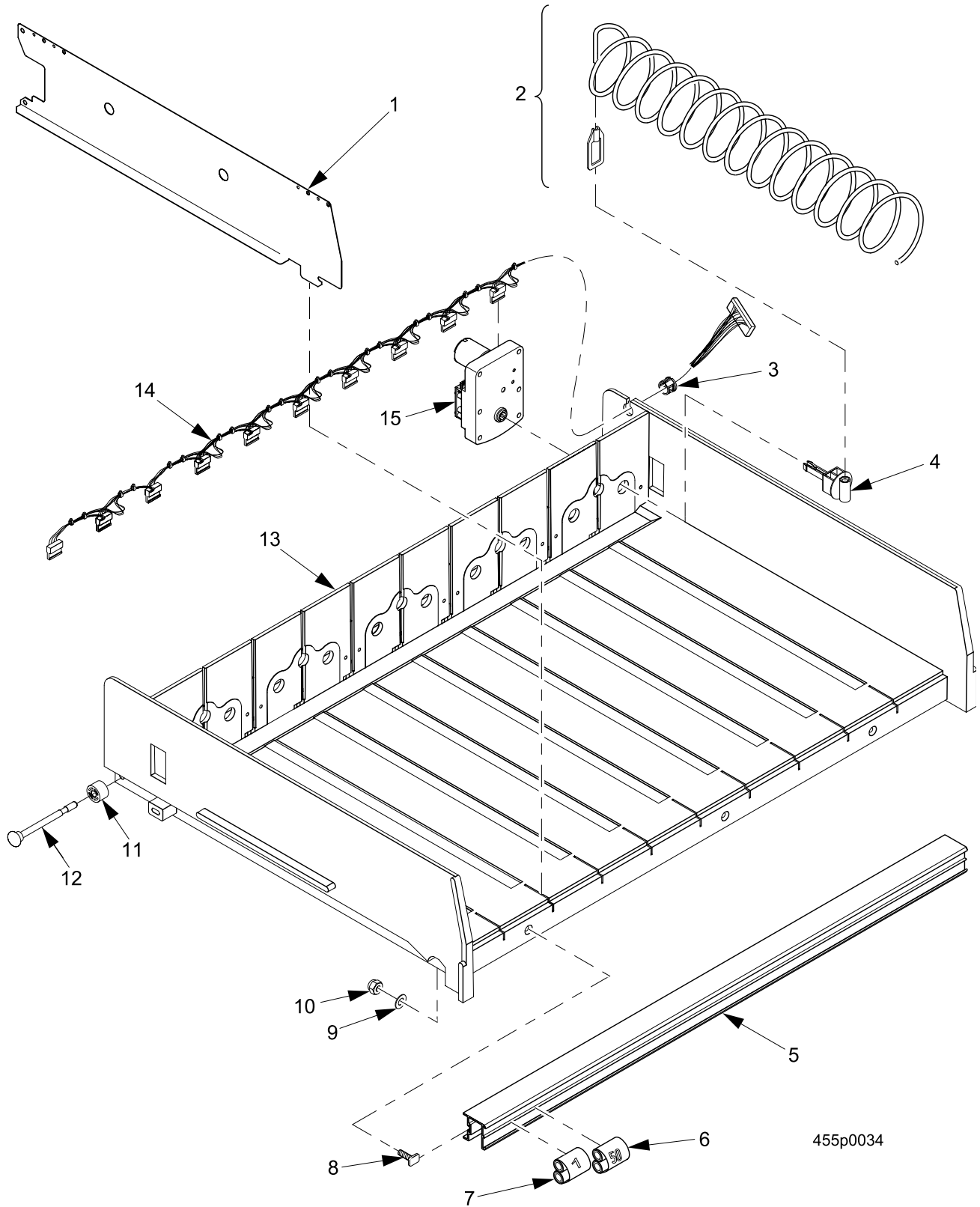


455p0044

FIGURE 22: BASE PLATE ASSEMBLIES

TABLE 22: BASE PLATE ASSEMBLIES

INDEX	PART NUMBER	DESCRIPTION	QTY
1	6231087	BRACKET - BASE PLATE	1
2	4551155	BRACKET - BASE PLATE - RIGHT HAND	1
3	9900098	COTTER PIN 3/32 X 3/4 IN	2
4	4551154	SLIDE - BASE PLATE - RIGHT HAND	1
5	1451097	SCREW - #8 - 32X.31 HEX HD.TF - BL	--
6	4551152	BUMPER - LEG & HINGE PLATE (STANDARD STYLING)	1
7	4551148	BUMPER - MILLENNIA LEG & HINGE PLATE	1
8	4551144	WELD ASSEMBLY - MILLENNIA BASE PLATE	1
9	4551147	BUMPER - MILLENNIA CABINET LEG	1
10	4551149	WELD ASSEMBLY - BASE PLATE (STANDARD STYLING)	1
11	4551153	SLIDE - BASE PLATE - LEFT HAND	1



455p0034

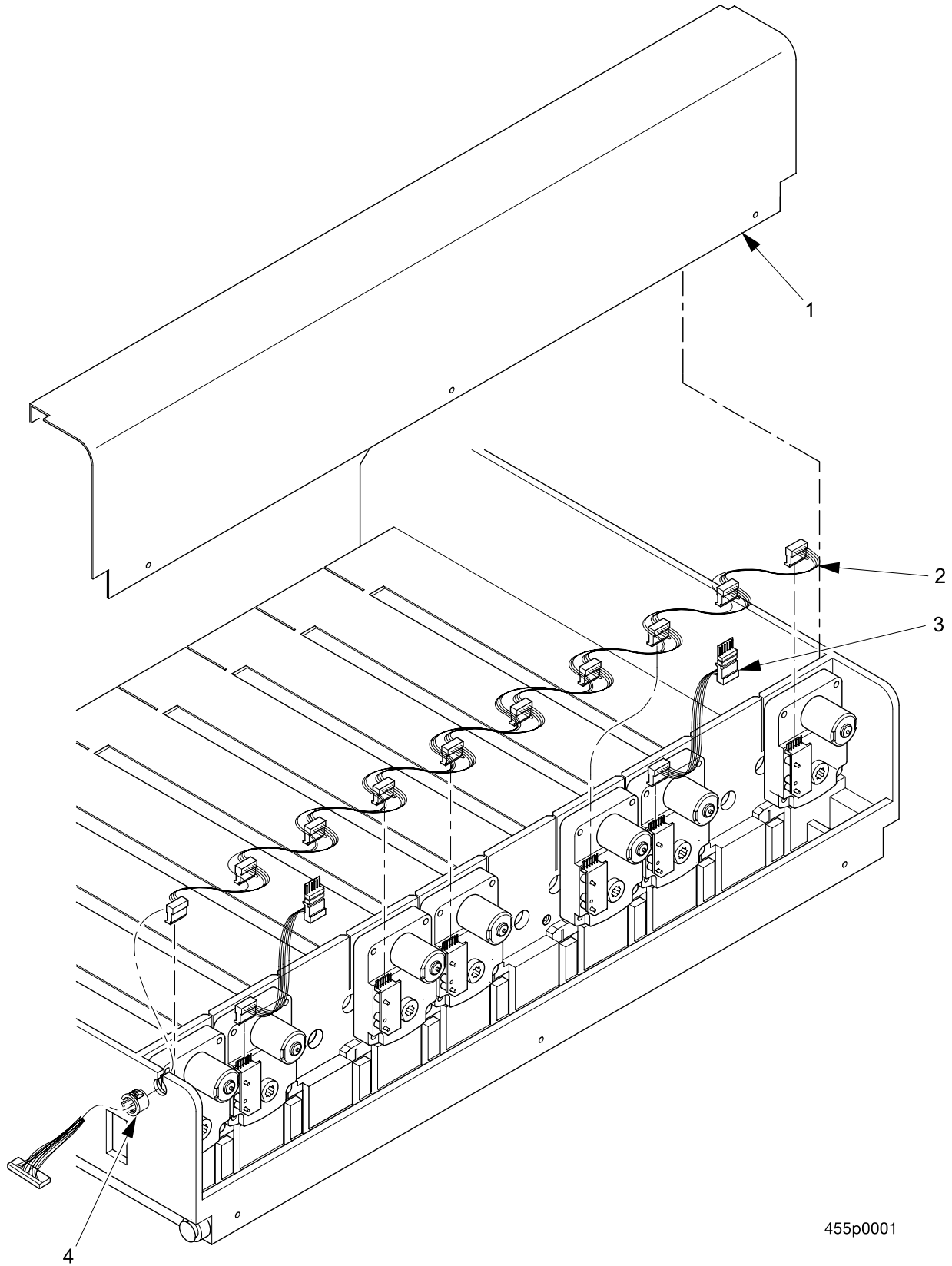
FIGURE 23: TRAY ASSEMBLY - PART 1

**TABLE 23: TRAY ASSEMBLY - PART 1**

INDEX	PART NUMBER	DESCRIPTION	QTY
--	4557000	TRAY ASSEMBLY - 10 SELECT - DOMESTIC (115V)	--
	4557028	TRAY ASSEMBLY - 10 SELECT - UK (230V)	
1	1707062	WALL - TRAY	9
2	--	SPIRAL AND RETAINER ASSEMBLY (SEE TABLE 23A FOR DETAILS)	--
3	9989821	BUSHING - 0.512 DIAMETER	1
4	1477113	COUPLING - SPIRAL	10
5	1477134	RAIL - PRICE & SELECTION	1
6	1477014	ROLL - PRICE CENTS (KB)	10
	1472273	ROLL - PRICE - UK - 1L/10L, 35P/95P 1200/PKG KANBAN	
7	1477015	ROLL - PRICE DOLLARS KB	10
	1472274	ROLL - PRICE - UK-1L/10L, 8P/35P KB 8,000/PKG KANBAN	
8	2222031	TEE BOLT - TRIM	--
9	5560113	WASHER - HOPPER RELEASE	3
10	9900030	NUT #8 - 32 SELF - LOCKING	--
11	1477148	ROLLER - TRAY	2
12	1477097	AXLE - TRAY ROLLER	2
13	1707001	TRAY-5/10 DIVISION	1
14	4559014	HARNESS - 10 MOTOR TRAY	1
15	4744555	MOTOR & PCB ASSEMBLY	10

**TABLE 23A: SPIRAL OPTIONS**

ITEM CAPACITY OF SPIRAL	COUNTERCLOCKWISE (LH)			CLOCKWISE (RH)			CLIP COLOR
	ASSEMBLY	SPIRAL	RETAINER	ASSEMBLY	SPIRAL	RETAINER	
5 (STANDARD)	1707045	1707044	4407817	1707047	1707046	4407817	TAN
6 (STANDARD)	1707041	1707040	1477107	1707043	1707042	1477107	PURPLE
8 (STANDARD)	1707016	1707017	1477155	1707018	1707019	1477155	GREY
10 (STANDARD)	1707004	1707005	1457061	1707006	1707007	1457061	BLUE

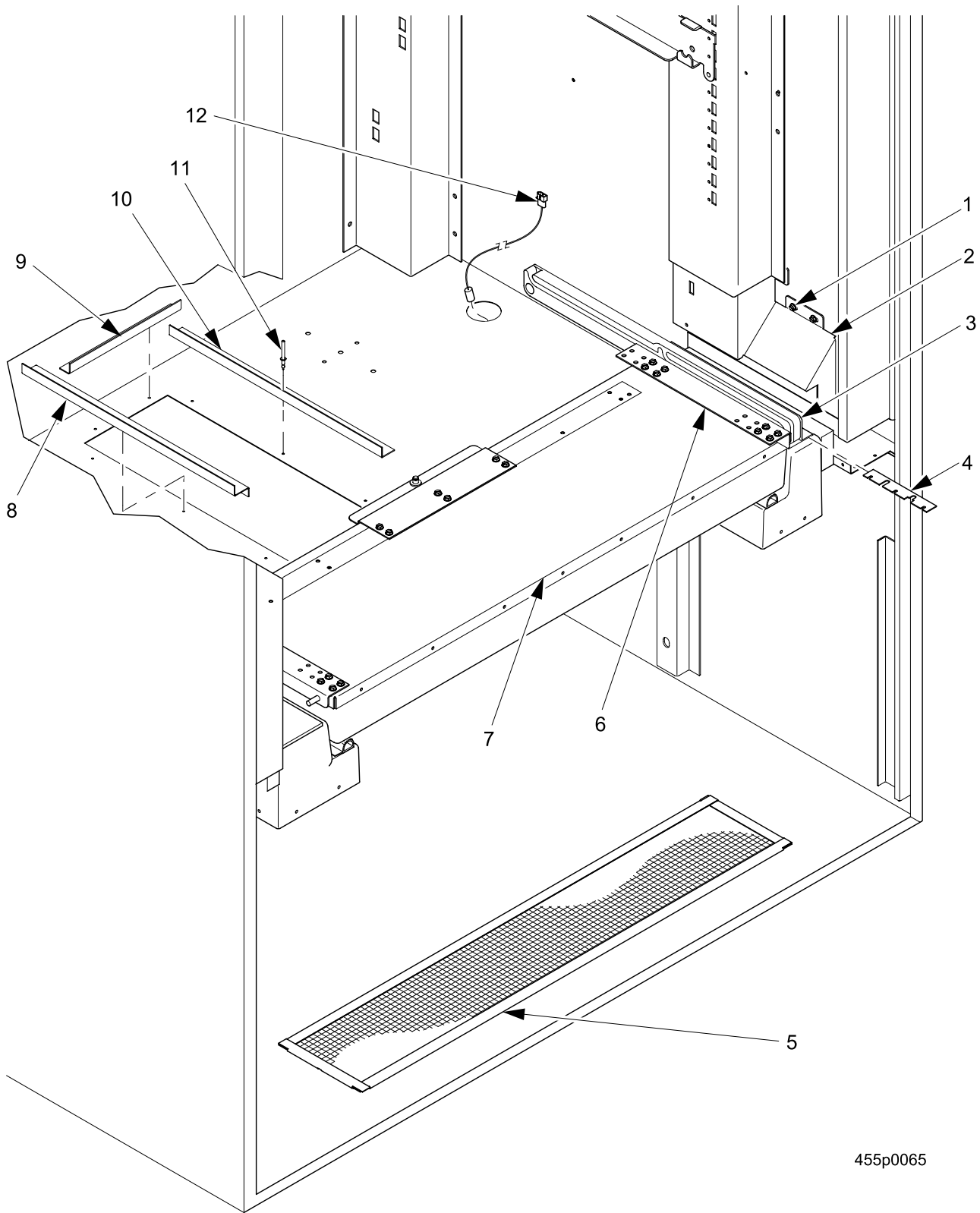


455p0001

FIGURE 24: TRAY ASSEMBLY - PART 2

TABLE 24: TRAY ASSEMBLY - PART 2

INDEX	PART NUMBER	DESCRIPTION	QTY
1	4557002	COVER ASSEMBLY - TRAY MOTORS	1
2	4559014	HARNESS - 10 MOTOR TRAY	1
3	1599024	HARNESS - MOTOR COUPLER	10
4	9989821	BUSHING - 0.512 DIAMETER	1



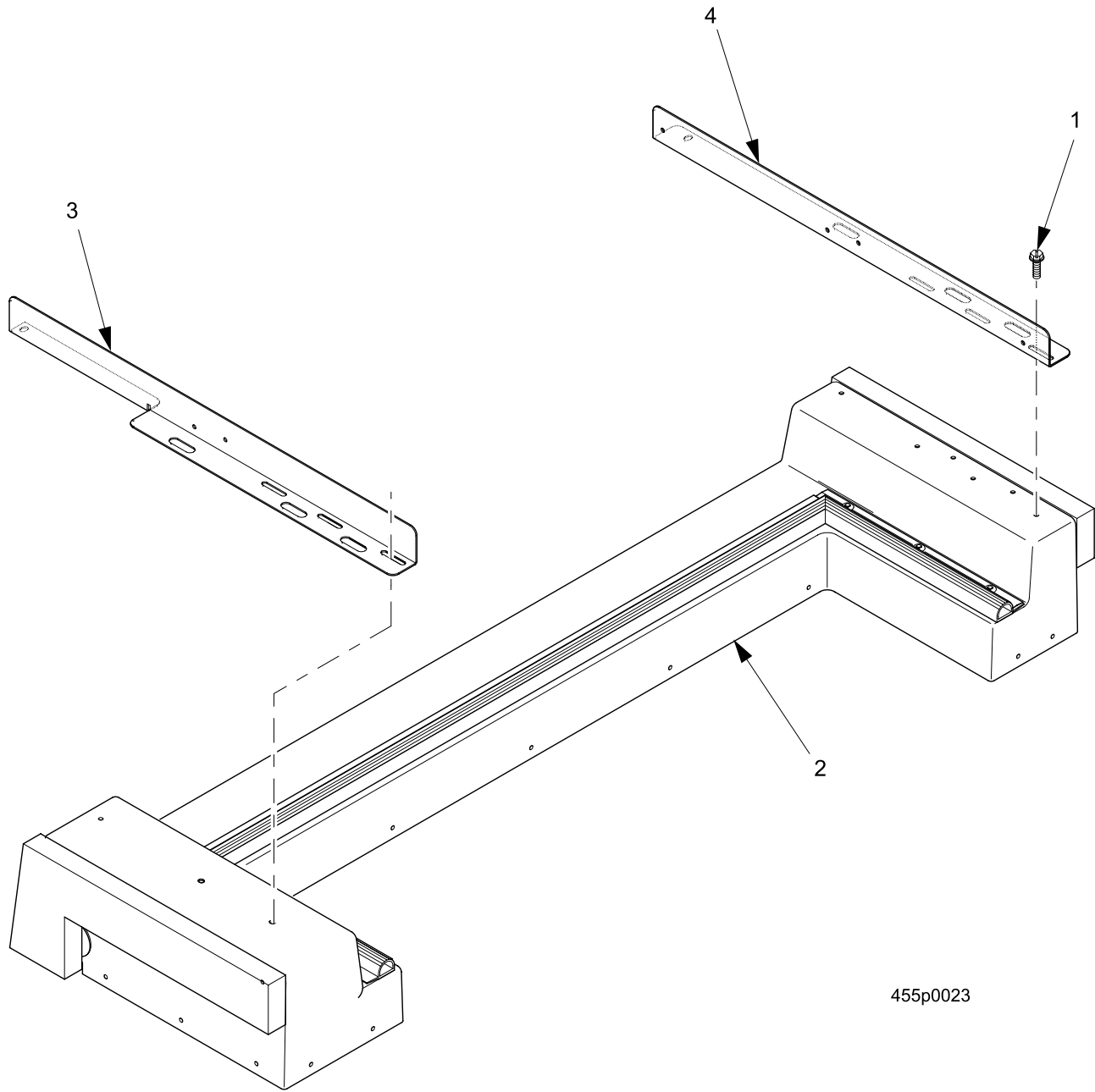
455p0065

FIGURE 25: BARRIER ASSEMBLY - PART 1



TABLE 25: BARRIER ASSEMBLY - PART 1

INDEX	PART NUMBER	DESCRIPTION	QTY
1	1451097	SCREW - #8 - 32X.31 HEX HD.TF - BLACK	--
2	4551362	CHANNEL - SUPPORT - RIGHT - FRONT - LOWER	1
3	4551008	GUIDE - LEFT	2
--	4551007	GUIDE - RIGHT(NOT SHOWN)	2
4	4551326	SHIM - .060	A/R
5	4552036	SCREEN ASSEMBLY - AIR INLET	1
6	4551228	BRACKET ASSEMBLY - GUIDE PIN MOUNTING	2
7	4551231	DOOR ASSEMBLY - RETRACTABLE	1
8	4551193	CHANNEL - REINF. - MOTOR - COLLAR	1
9	4551194	CHANNEL - COLLAR - SPILL	1
10	4551215	CHANNEL - COLLAR - SPILL - RIGHT	1
11	1211115	RIVET - POP - .156 DIA X .254	--
12	9987852	PROBE - TEMPERATURE SENSOR	1

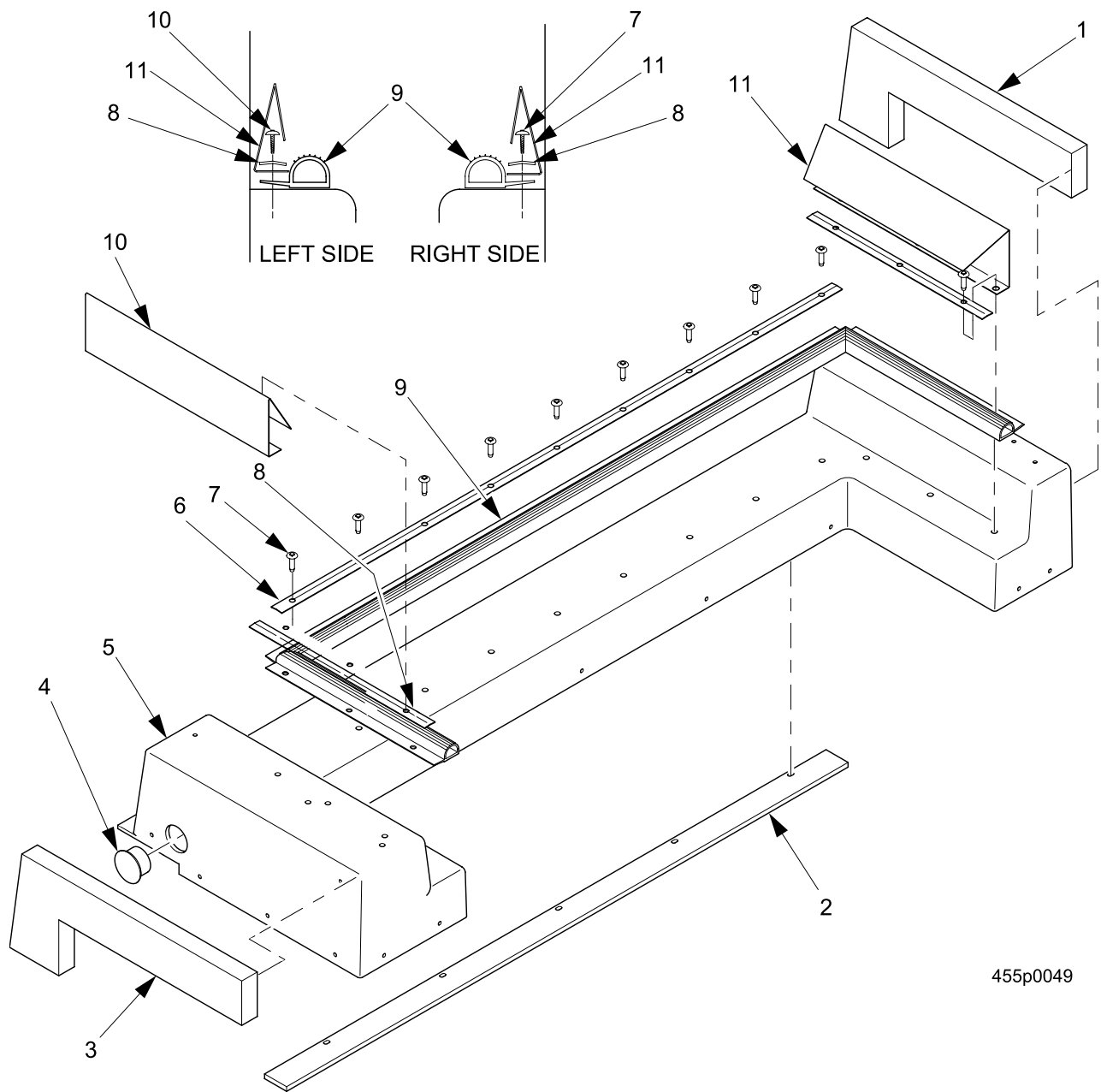


455p0023

FIGURE 26: BARRIER ASSEMBLY - PART 2

TABLE 26: BARRIER ASSEMBLY - PART 2

INDEX	PART NUMBER	DESCRIPTION	QTY
1	4741050	SCREW - #8 - 32 X .50 HX.HD. - T/F - BLACK	--
2	4551261	BARRIER ASSEMBLY - FINAL	1
3	4551237	SUPPORT - GUIDE - LEFT	1
4	4551238	SUPPORT - GUIDE - RIGHT	1



455p0049

FIGURE 27: BARRIER ASSEMBLY - PART 3

TABLE 27: BARRIER ASSEMBLY - PART 3

INDEX	PART NUMBER	DESCRIPTION	QTY
--	4551261	BARRIER ASSEMBLY - FINAL	1
1	4551244	INSULATION - BARRIER - RIGHT (LOCK SIDE)	1
2	4551246	INSULATION - BARRIER - BOTTOM	1
3	4551243	INSULATION - BARRIER - LEFT (HINGE SIDE)	1
4	4311096	PLUG - FOAMING HOLE	1
5	4551260	BARRIER ASSEMBLY - UNFOAMED	1
6	4551256	RETAINER - GASKET REAR	1
7	4551286	SCREW - #8 - 32 X 5/8 SD PAN HD	15
8	4551121	RETAINER - GASKET - SIDE	2
9	4551004	GASKET - RETRACTABLE DOOR	1
10	4551345	DEFLECTOR - CLEAR PLASTIC - LEFT (OPTIONAL SEE NOTE BELOW)	1
11	4551346	DEFLECTOR - CLEAR PLASTIC - RIGHT (OPTIONAL SEE NOTE BELOW)	1
<p><b>NOTE:</b> ITEMS #10 AND #11 ARE AVAILABLE ONLY THROUGH SUPPLEMENTAL KIT #4551347:  "INSTALL A PRODUCT DEFLECTOR ON A 455 MACHINE." FIELD RESULTS HAVE SHOWN CERTAIN SMALLER FROZEN PRODUCTS SUCH AS SNICKERS BARS WILL VEND MORE RELIABLY WITH THIS KIT INSTALLED; PARTICULARLY WHEN THESE PACKAGES ARE PLACED IN THE OUTERMOST SPIRAL LOCATIONS. FAILURE TO USE THIS PART WHEN VENDING THESE TYPES OF PACKAGES COULD RESULT IN JAMS OF THE RETRACTABLE VEND DOOR AS WELL AS POSSIBLE LOSS OF A LOAD OF FOOD.</p>			

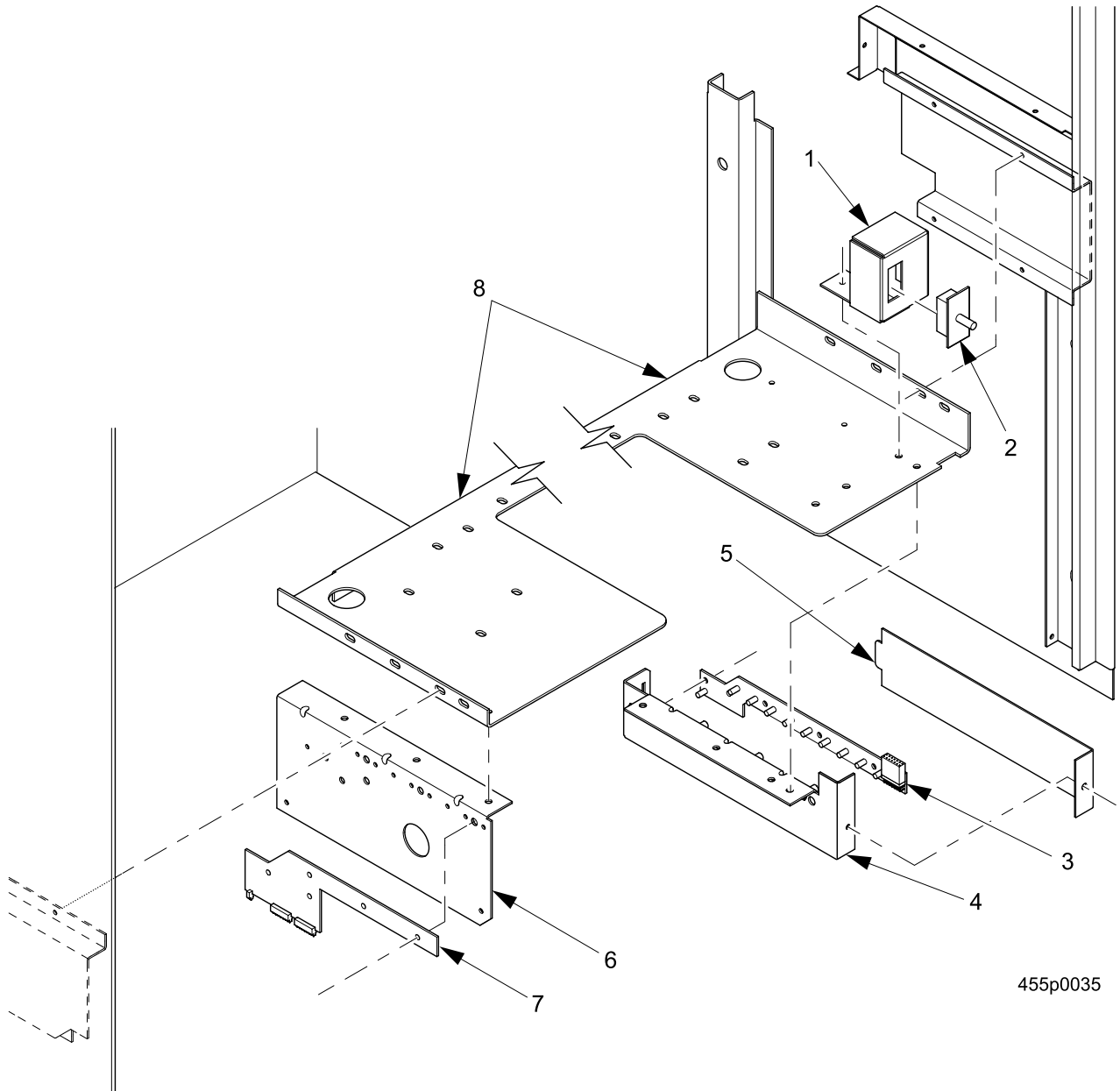
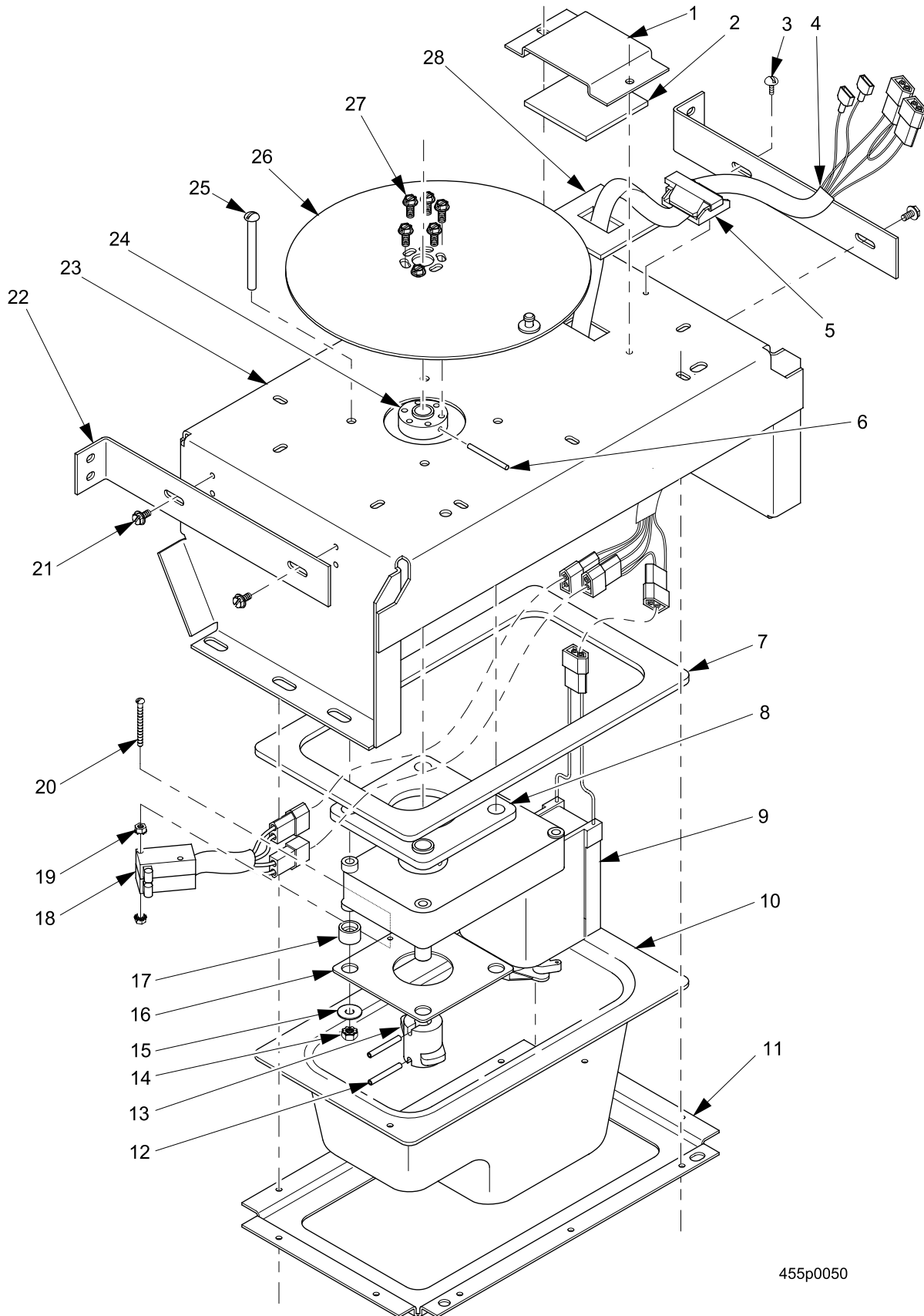


FIGURE 28: SUREVEND SYSTEM

TABLE 28: SUREVEND SYSTEM

INDEX	PART NUMBER	DESCRIPTION	QTY
1	4551262	BRACKET - MOUNTING - SWITCH	1
2	4271109	SWITCH - PANEL MOUNT	1
3	1676011	PCB ASSEMBLY - PRODUCT DET. - EMITTER	1
4	4551344	BRACKET ASSEMBLY - RIGHT - SUREVEND	1
5	1672061	COVER - SUREVEND - RIGHT	1
6	4551265	BRACKET ASSEMBLY - LEFT - SUREVEND	1
7	1676000	PCB ASSEMBLY - PRODUCT DET. - RECEIVER	1
8	4551252	SUPPORT - BARRIER	1



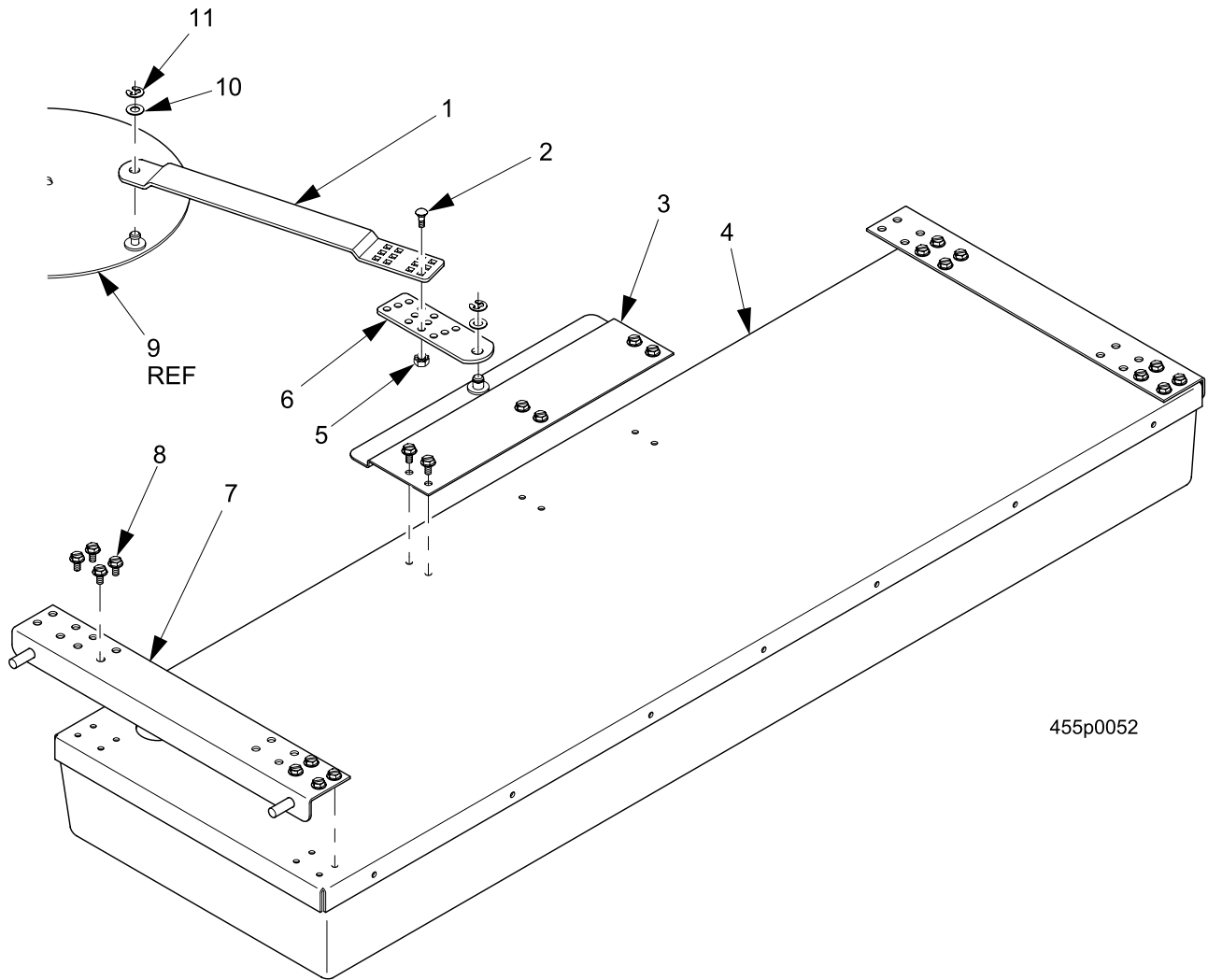
455p0050

FIGURE 29: DRIVE MOTOR ASSEMBLY



TABLE 29: DRIVE MOTOR ASSEMBLY

INDEX	PART NUMBER	DESCRIPTION	QTY
--	4551200	DRIVE MOTOR ASSEMBLY - RETRACTABLE DOOR - 115V	1
	4551329	DRIVE MOTOR ASSEMBLY - RETRACTABLE DOOR - 230V	
1	4551209	PLATE - CABLE COVER - RIBBON	1
2	4551208	RIBBON - CABLE GASKET - UPPER	1
3	4741050	SCREW-#8-32 X .50 HX.HD.-T/F	2
4	4551210	CABLE RIBBON - 5 CONDUCTOR	1
5	4551218	RIBBON CABLE - HOLD DOWN	1
6	4551308	ROLL PIN - 1/8 X 1-1/8 LONG	1
7	4551211	GASKET	1
8	4551203	BRACKET - SEAL	1
9	4551201	MOTOR - RETRACTABLE DOOR - 115V	1
	4551330	MOTOR - RETRACTABLE DOOR - 230V	
10	4551212	COVER	1
11	4551213	PLATE - COVER	1
12	4551308	ROLL PIN - 1/8 X 1-1/8 LONG	2
13	4407080	COUPLING - MOTOR & DRIVE SHAFT	1
14	9900164	NUT #10 - 32 KEPS ZINC PLATE	4
15	2204093	WASHER - SCAVENGER BAR	4
16	4551348	SUPPORT - MICROSWITCH	1
17	4551205	STANDOFF	4
18	4559015	SWITCH - RETRACTABLE DOOR	1
19	1217159	4 - 40 KEPS W/EXT L/WAS H ZP	--
20	3113003	SCREW - #4 40 X 1 1/4 RHS	--
21	1451097	SCREW-#8-32X.31 HEX HD.TF - BLACK	14
22	4551217	BRACE - MOTOR ASSEMBLY	2
23	4551204	BRACKET - MOUNTING	1
24	4551314	BUSHING - DRIVE DISC	1
25	4247103	#10-32X2 RHS MACH SCREW ZINC	--
26	4551315	DISC DRIVE ASSEMBLY	1
27	6234295	SCREW - #8 - 32X.38 HHS W/LW	3
28	4551207	RIBBON - CABLE GASKET - LOWER	1



455p0052

FIGURE 30: RETRACTABLE DOOR ASSEMBLY

TABLE 30: RETRACTABLE DOOR ASSEMBLY

INDEX	PART NUMBER	DESCRIPTION	QTY
--	4551100	DOOR - RETRACTABLE - W/O MOTOR	1
1	4551282	ARM - RETRACTABLE DOOR - OFFSET	1
2	1306140	8 - 32X3/8 CARR BOLT BLK/OX	2
3	4551281	BRACKET - DRIVE ARM MOUNTING	1
4	4551231	DOOR ASSEMBLY - RETRACTABLE	1
5	9900081	NUT #8 - 32 KEPS ZINC PLATE	--
6	4551283	ARM - RETRACTABLE DOOR - STRAIGHT	1
7	4551228	BRACKET ASSEMBLY - GUIDE PIN MOUNTING	2
8	4741050	SCREW - #8 - 32 X .50 HX.HD. - T/F - B	40
9	4551200	DRIVE MOTOR ASSEMBLY - RETRACTABLE DOOR	REF.
10	6131066	WASHER 5/8X.265X.048 ZINC/YEL	4
11	9900425	RETAINING RING REINF E TYP.250	--

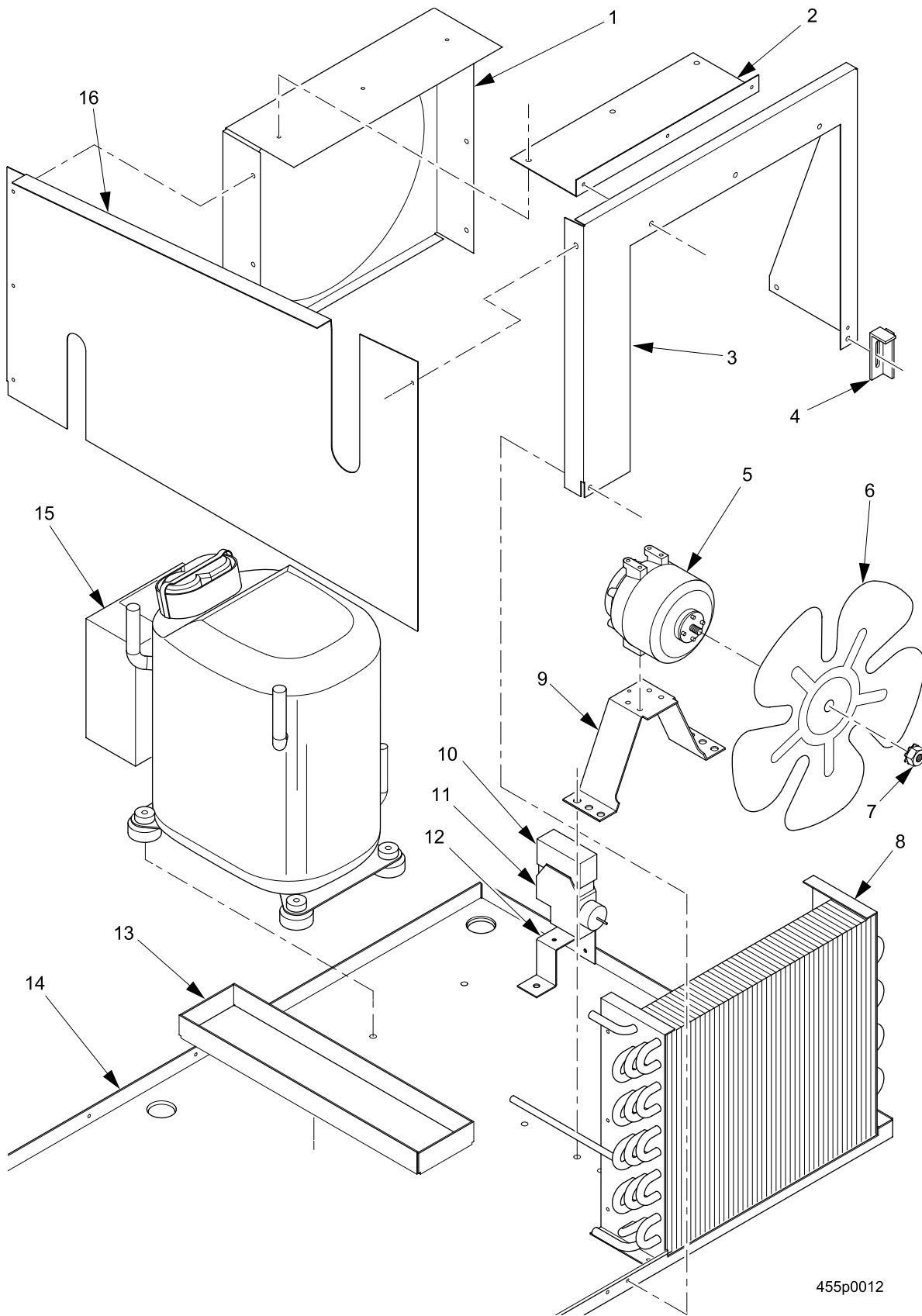


FIGURE 31: REFRIGERATION UNIT - PART 1

TABLE 31: REFRIGERATION UNIT - PART 1

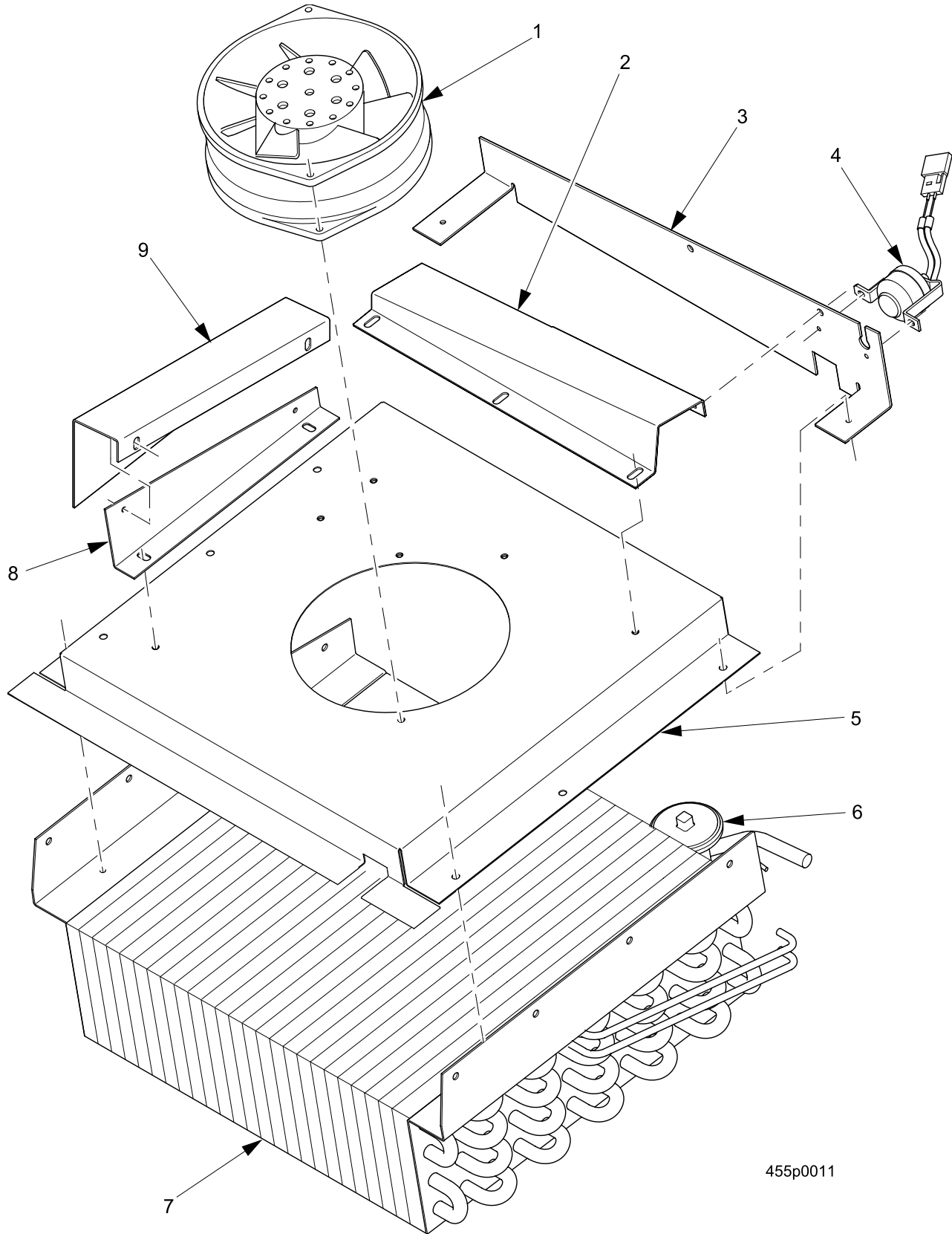
INDEX	PART NUMBER	DESCRIPTION	QTY
--	4554073	REFRIGERATION MODULE - DOMESTIC	1
	4554063	REFRIGERATION UNIT - 220V/50HZ	
1	4314035	SHROUD - CONDENSER COIL	1
2	4554040	BRACKET - CONDENSER	1
3	4554039	COVER - CONDENSER	1
4	4554042	LATCH - REFRIG. - HINGE - SLIDE	2
5	4304231	MOTOR - CONDENSER - 16 WATT	1
	4314089	MOTOR - CONDENSER FAN - 16W - MORILL	
6	4314036	BLADE - CONDENSER FAN	1
7	1211105	1/4-20 KEPS NUT EXT LW ZP	1
8	4314034	CONDENSER	1
9	4043066	BRACKET CONDENSER MOTOR S5954TC	1
10	4554022	COVER - LIMIT CONTROL	1
11	4554061	LIMIT CONTROL	1
12	4554038	BRACKET - LIMIT CONTROL - FREEZER	1
13	4324030	PAN - CONDENSATION	1
14	4554025	BASE & STUD ASSEMBLY	1
15	4554000	COMPRESSOR - TECUMSEH - FREEZER (115 V)	1
	4554064	COMPRESSOR - TECUMSEH - FREEZER (230 V)	
16	4554028	PANEL - PARTITION	1

4554001 (115V)	THIS AFTERMARKET BAG ASSEMBLY IS AVAILABLE FOR COMPRESSOR WEAR ITEMS: START CAPACITOR, END CAPACITOR, RELAY AND OVERLOAD SWITCH, ALONG WITH ASSOCIATED MOUNTING HARDWARE.	--
----------------	---	----



TABLE 32: REFRIGERATION UNIT - PART 2

INDEX	PART NUMBER	DESCRIPTION	QTY
--	4554073	REFRIGERATION MODULE - DOMESTIC	1
	4554063	REFRIGERATION UNIT - 220V/50HZ	
1	4554027	WRAPPER - BACK - EVAPORATOR	1
2	4554026	WRAPPER - EVAPORATOR	1
3	4554042	LATCH - REFRIG. - HINGE - SLIDE	2
4	4554041	HANDLE - REFRIG. UNIT - FREEZER	1
5	4554012	PLATE - ABS	1
6	4554013	GASKET - PLATE - POLYETHELENE	1
7	4554057	SEAL - REFRIGERATION - FREEZER	1
8	4554015	SEAL - REFRIGERATION - HORIZONTAL	1
9	4554014	SEAL - REFRIGERATION - VERTICAL	1



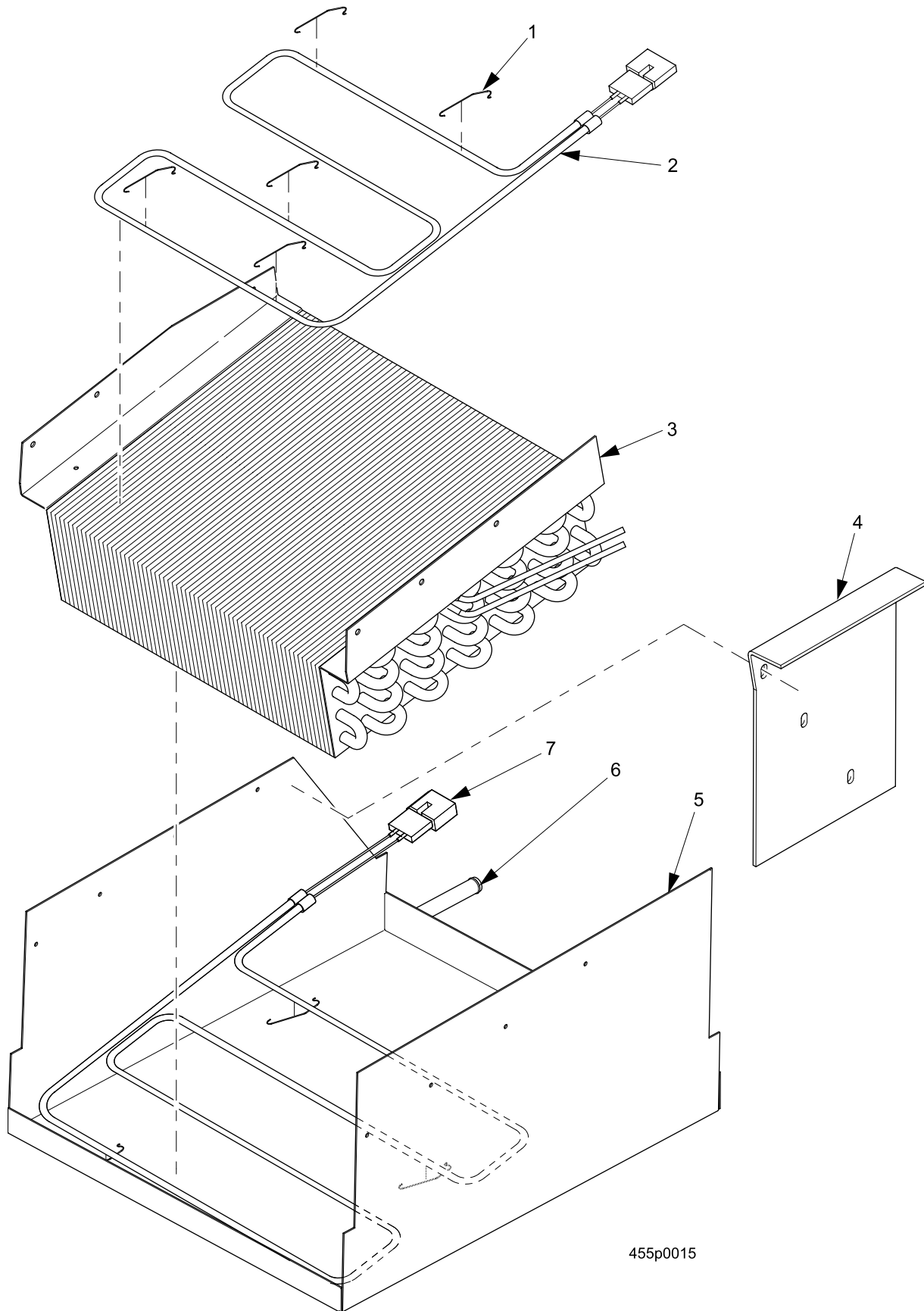
455p0011

**FIGURE 33: REFRIGERATION UNIT - PART 3**



TABLE 33: REFRIGERATION UNIT - PART 3

INDEX	PART NUMBER	DESCRIPTION	QTY
1	4554023	FAN - EVAPORATOR - 115V	1
	4554067	FAN - EVAPORATOR - 220V	
2	4554034	BRACKET - SEAL - SUPPORT #4	1
3	4554036	BRACKET - SEAL - SUPPORT #3	1
4	4554068	THERMOSTAT - AUTO RESET - FZR. MOD.	1
5	4554032	SHROUD - EVAPORATOR (CP7 - 7)	1
6	4554017	EXPANSION VALVE - FREEZER	1
7	4554002	EVAPORATOR - FREEZER	1
8	4554033	BRACKET - SEAL - SUPPORT #2	1
9	4554035	BRACKET - SEAL - SUPPORT #1	1

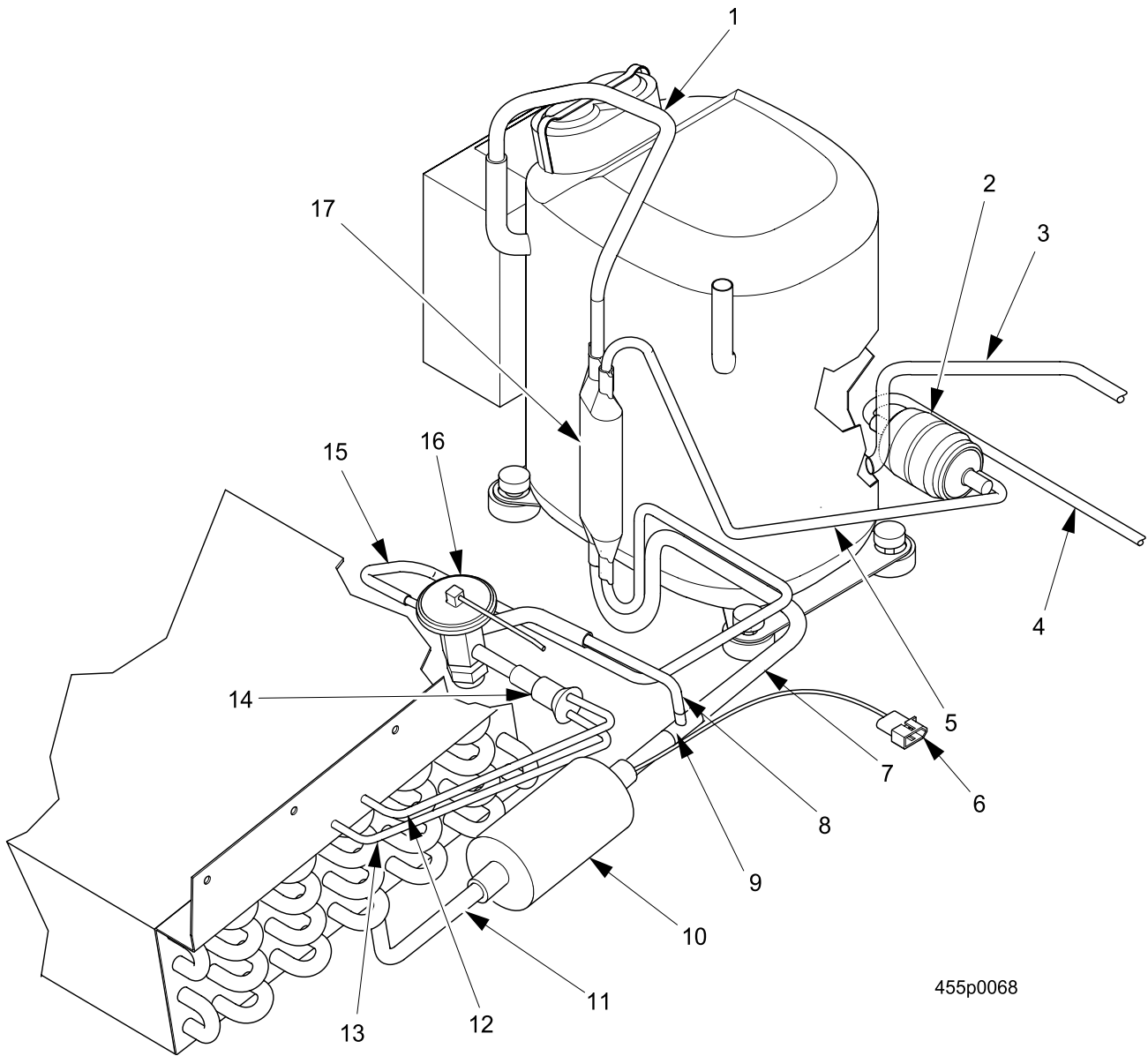


455p0015

FIGURE 34: REFRIGERATION UNIT - PART 4

TABLE 34: REFRIGERATION UNIT - PART 4

INDEX	PART NUMBER	DESCRIPTION	QTY
--	4554073	REFRIGERATION MODULE - 115V (DOMESTIC)	--
	4554063	REFRIGERATION UNIT - 220V/50HZ	
1	7214003	SPRING CLIP - HEATER RETAINER	--
2	4554019	HEATER - DEFROST - TOP - 115 V	1
	4554065	HEATER - DEFROST - TOP - 220 V	
3	4554002	EVAPORATOR - FREEZER	1
4	4554062	SUPPORT - SEAL	1
5	4554029	PAN - EVAPORATOR (CP7 - 7)	1
6	7844003	TUBE - DRAIN	1
7	4554020	HEATER - DEFROST - BOTTOM - 115 V	1
	4554066	HEATER - DEFROST - BOTTOM - 220V	



455p0068

FIGURE 35: REFRIGERATION UNIT - PART 5

TABLE 35: REFRIGERATION UNIT - PART 5

INDEX	PART NUMBER	DESCRIPTION	QTY
1	4554051	TUBE - HEAT EXCHANGER TO COMPRESSOR	1
2	4304194	DRIER - C - 032S 1/4 SWEAT V	--
3	4554052	TUBE - DISCHARGE LINE	1
4	4554053	TUBE - LIQUID LINE - COND.TO DRIER	1
5	4554050	TUBE - HEAT EXCHANGER TO DRIER	1
6	9987852	PROBE - TEMPERATURE SENSOR	1
7	4554048	TUBE - HEAT TRANSFER TO TEE	1
8	4554047	TUBE - TEV TO TEE	1
9	4114029	TEE - SOLDER - MUELLER W-40324	1
10	4554056	INSULATION - VALVE - BULB	1
11	4554046	TUBE - EVAPORATOR SUCTION TO TEE	1
12	4554059	TUBE - EVAPORATOR TO DISTRIBUTOR - TOP	1
13	4554060	TUBE - EVAPORATOR TO DISTRIBUTOR - BOTTOM.	1
14	4554016	DISTRIBUTOR	1
15	4554049	TUBE - HEAT EXCHANGER TO TEV	1
16	4554017	EXPANSION VALVE - FREEZER	1
17	3124037	RECEIVER HEAT XCHANG SPINCO	1

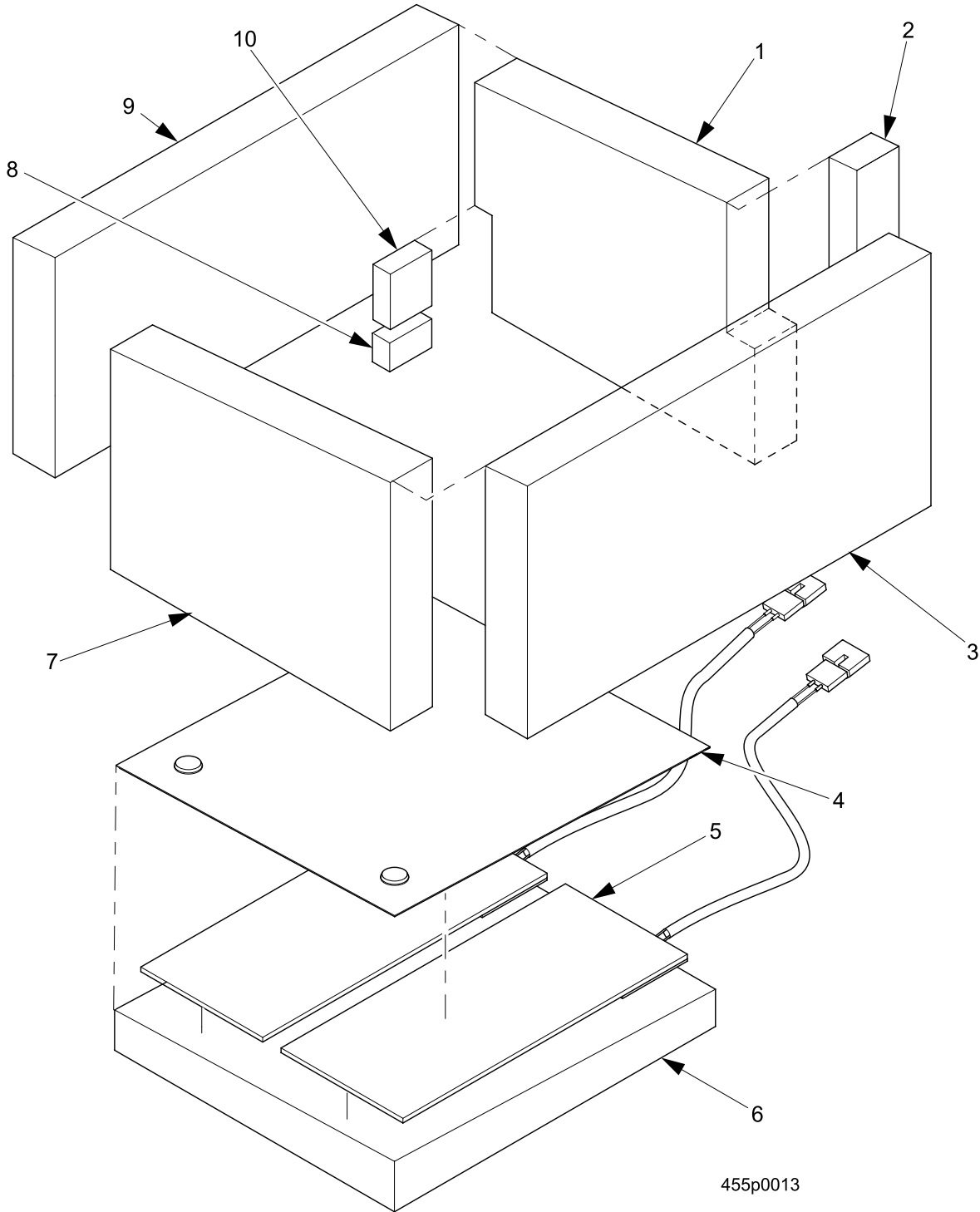
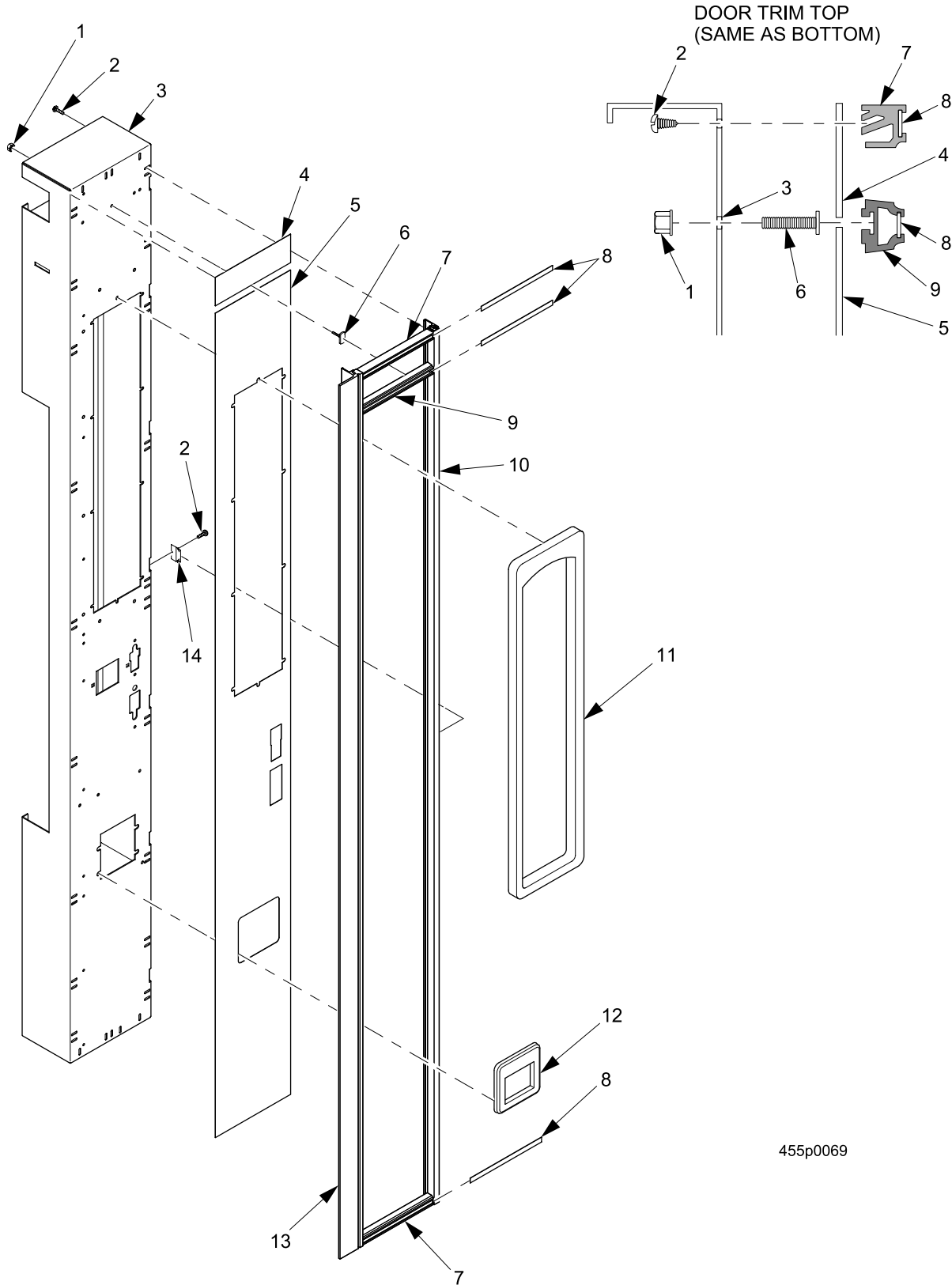


FIGURE 36: INSULATION

TABLE 36: INSULATION

INDEX	PART NUMBER	DESCRIPTION	QTY
1	4554005	INSULATION - EVAPORATOR - RIGHT	1
2	4554008	INSULATION - EVAPORATOR - PLUG	1
3	4554006	INSULATION - EVAPORATOR - FRONT	1
4	4554031	SHIELD - HEAT - DRAIN PAN	1
5	4744506	HEATER - EVAPORATOR DRAIN - FROZEN MOD.	2
6	4554009	INSULATION - EVAPORATOR - BOTTOM	1
7	4554004	INSULATION - EVAPORATOR - LEFT	1
8	4554011	INSULATION - DRAIN - BOTTOM	1
9	4554007	INSULATION - EVAPORATOR - REAR	1
10	4554010	INSULATION - EVAPORATOR - DRAIN	1



455p0069

FIGURE 37: MONETARY DOOR TRIM - STANDARD



TABLE 37: MONETARY DOOR TRIM - STANDARD

INDEX	PART NUMBER	DESCRIPTION	QTY
1	9900081	NUT #8 - 32 KEPS ZINC PLATE	--
2	4312217	SCREW#8 - 32 X.50 PHILLIPS - PN HD	--
3	4555128	WELD ASSEMBLY - BRANDABLE MONETARY DOOR	1
4	4552417	PANEL-MON-DURAPANEL-BLK	1
5	4555104	PANEL - MONETARY - BOTTOM - STERLING	1
	4552418	PANEL-MON-BTM-DURAPANEL-BLK	
6	2222110	T BOLT - TRIM	--
7	4555071	TRIM - MONETARY - TOP & BOTTOM - BLACK (SIGNATURE STYLE)	2
	4555122	TRIM - MONETARY - TOP & BOTTOM - CLEAR (IMPERIAL CROWN STYLE)	
8	4555075	TRIM - INSERT - 6.16	3
9	4555072	TRIM - MONETARY - HORIZONTAL - CLEAR	1
10	4302274	TRIM - DOOR - SIDE - CLEAR	1
11	1575106	CASTING - MONETARY FRAME - BLK	1
12	1572011	TRIM - COIN CUP - BLACK	1
13	4555006	TRIM - LEFT SIDE MONETARY - PAINTED	1
14	4302414	CLIP - DOOR TRIM	14

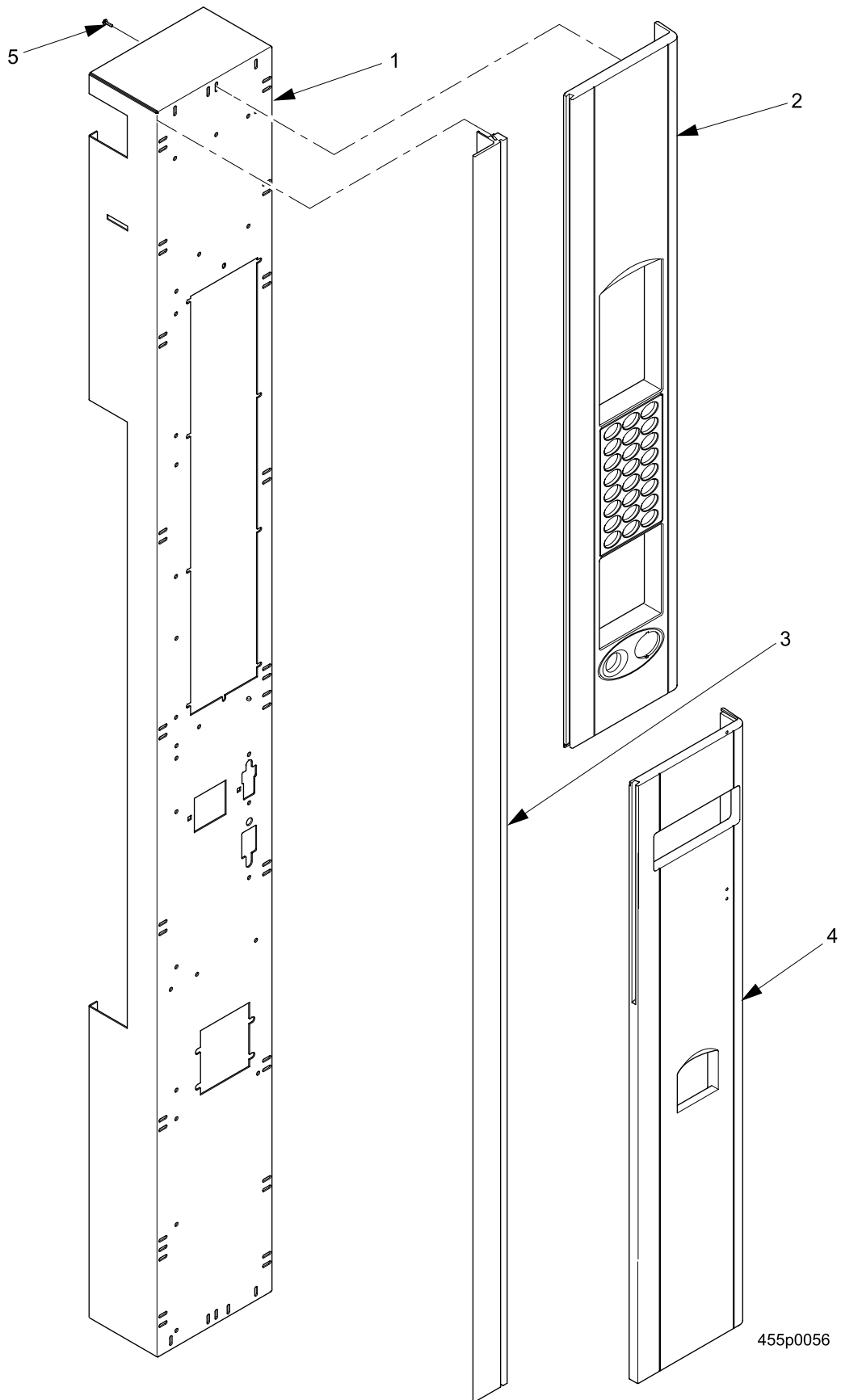
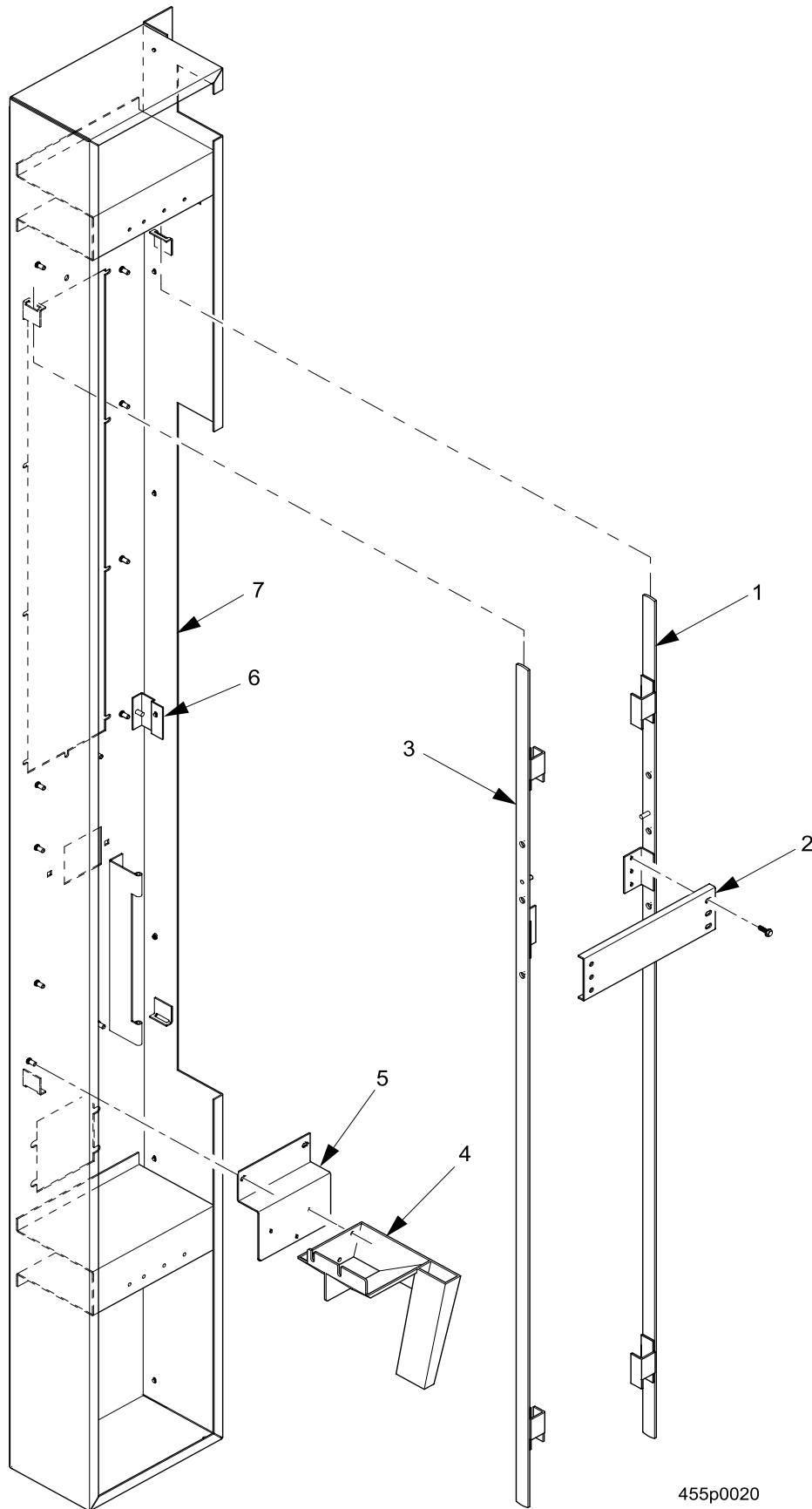


FIGURE 38: MONETARY TRIM - MILLENNIA

TABLE 38: MONETARY TRIM - MILLENNIA

INDEX	PART NUMBER	DESCRIPTION	QTY
1	4555126	WELD ASSEMBLY - MILLENNIA MONETARY DOOR	1
2	1572213	RIGHT HAND TRIM - UPPER - "A - 21"	1
3	4555005	TRIM - LEFT SIDE MONETARY	1
4	1572214	RIGHT HAND TRIM - LOWER - "B"	1
5	G1472028	SCREW - #6 X .38 SHEET METAL	--

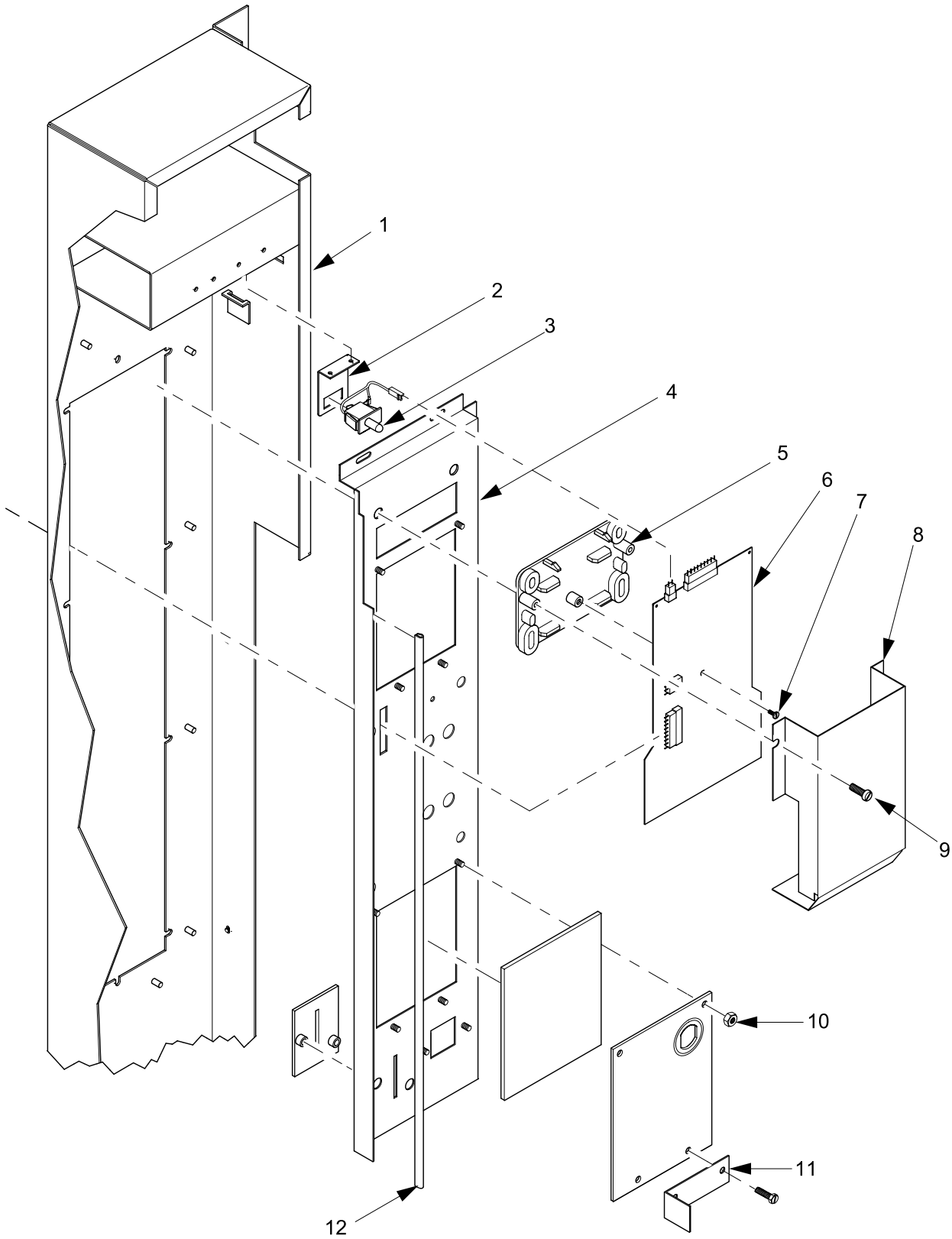


455p0020

FIGURE 39: MONETARY DOOR - PART 1

TABLE 39: MONETARY DOOR - PART 1

INDEX	PART NUMBER	DESCRIPTION	QTY
1	4285015	LOCK BAR ASSEMBLY - RIGHT	1
2	4555010	PLATE - LOCK	1
3	4285017	LATCH & LOCK BAR ASSEMBLY - LEFT	1
4	4285013	CHUTE MOD. - PAYOUT	1
5	4285085	BRACKET - PAYOUT	1
6	1472250	GUIDE - LOCK BAR	1
7	4555126	WELD ASSEMBLY - MILLENNIA MONETARY DOOR	1

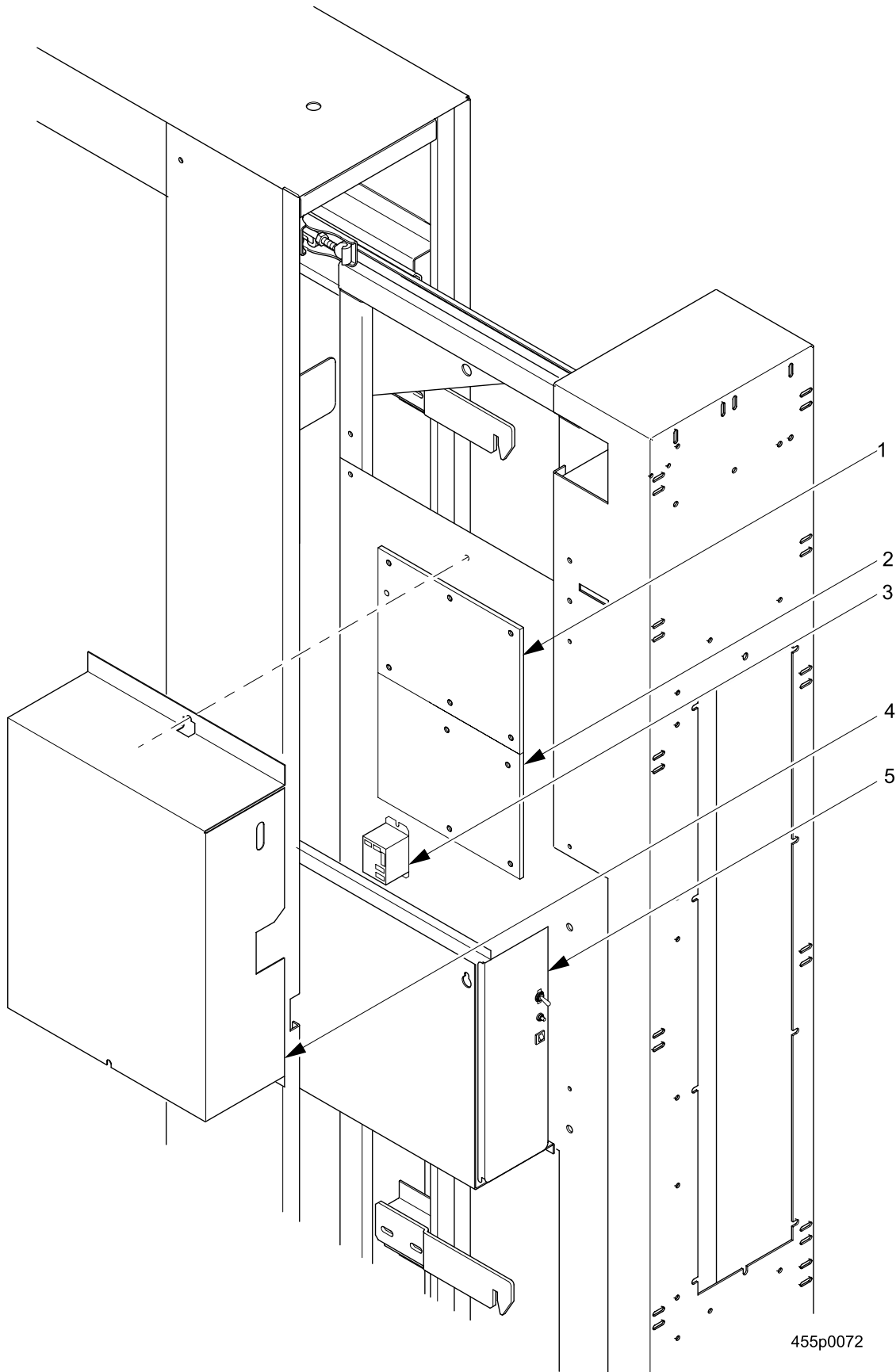


455p0021

FIGURE 40: MONETARY DOOR - PART 2

TABLE 40: MONETARY DOOR - PART 2

INDEX	PART NUMBER	DESCRIPTION	QTY
1	4555128	WELD ASSEMBLY - BRANDABLE MONETARY DOOR	1
	4555126	WELD ASSEMBLY - MILLENNIA MONETARY DOOR	
2	4555133	BRACKET - SWITCH MOUNTING	1
3	4271109	SWITCH	1
4	4285099	PANEL & STUD ASSEMBLY - MONETARY	1
--	9989823	DISPLAY W/BRACKET ASSEMBLY (ITEMS 5-7)	--
5	1475099	BRACKET - PCB - DISPLAY	1
6	9989823	PCB ASSEMBLY - DISPLAY	1
7	9900203	SCREW #6 - 20 X 3/8 PHS T/C	--
8	4555067	COVER - PCB DISPLAY	1
9	4747171	SCREW - #6 - 19X.38 PHS T/C	--
10	9900081	NUT #8 - 32 KEPS ZINC PLATE	--
11	4285109	ANGLE - MEMBRANE HOLDER	1
12	4272060	PRODUCT GUIDE EDGE TRIM	1



455p0072

FIGURE 41: MONETARY DOOR - PART 3



**TABLE 41: MONETARY DOOR - PART 3**

INDEX	PART NUMBER	DESCRIPTION	QTY
1	1676008	MAIN CONTROLLER PCB W/EPROM - SUREVEND	1
2	9989838	PCB ASSEMBLY - INTERFACE	1
3	4555035	COVER - PC BOARD	1
4	9989677	RELAY - SPDT. 24 VDC - PANEL MOUNT	1
5	4555137	POWER CONTROL PANEL ASSEMBLY - 120V (SEE TABLE 52 FOR DETAILS)	1
	4555138	POWER CONTROL PANEL ASSEMBLY - 230V	

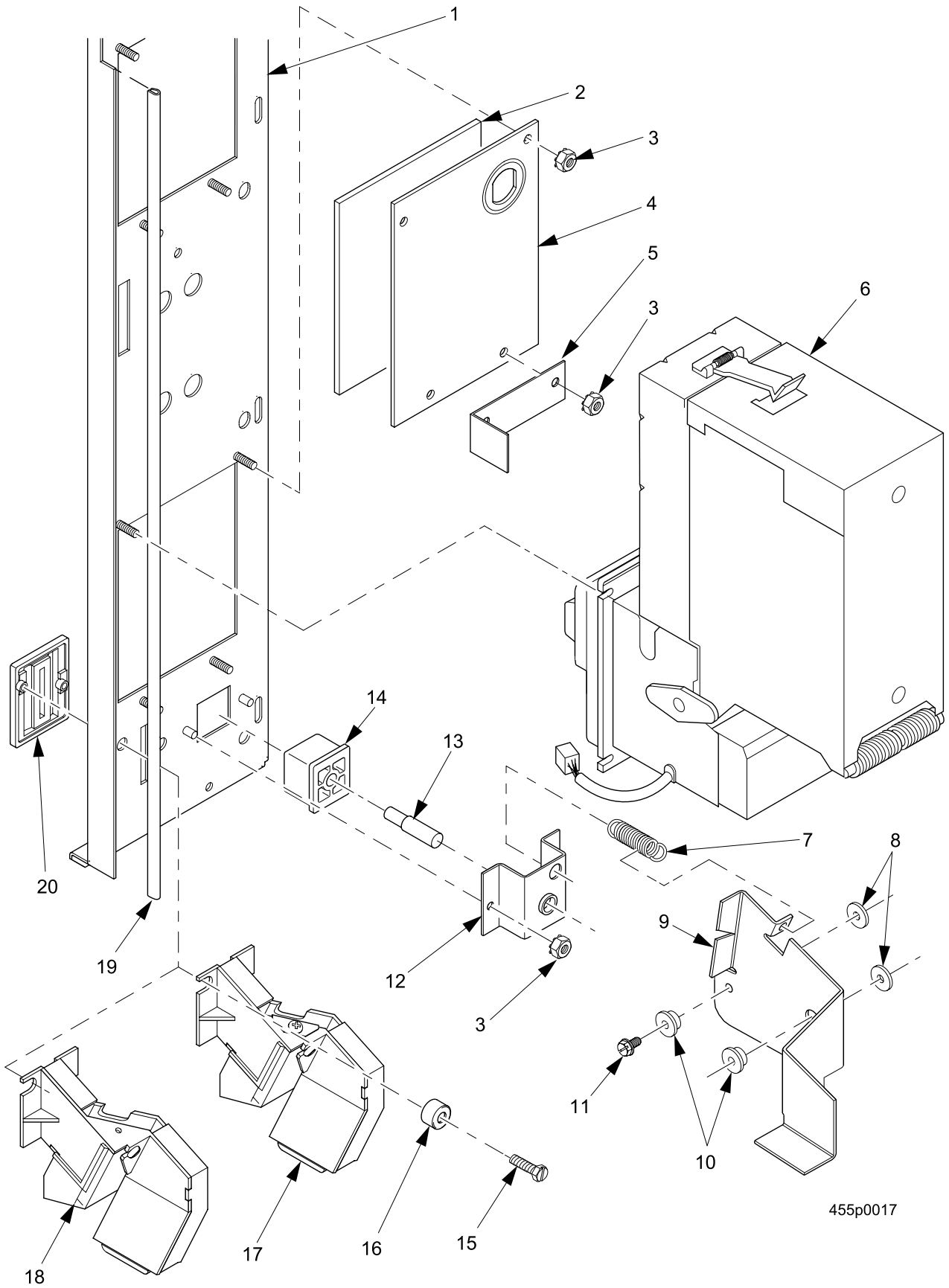


FIGURE 42: MONETARY DOOR - PART 4

TABLE 42: MONETARY DOOR - PART 4

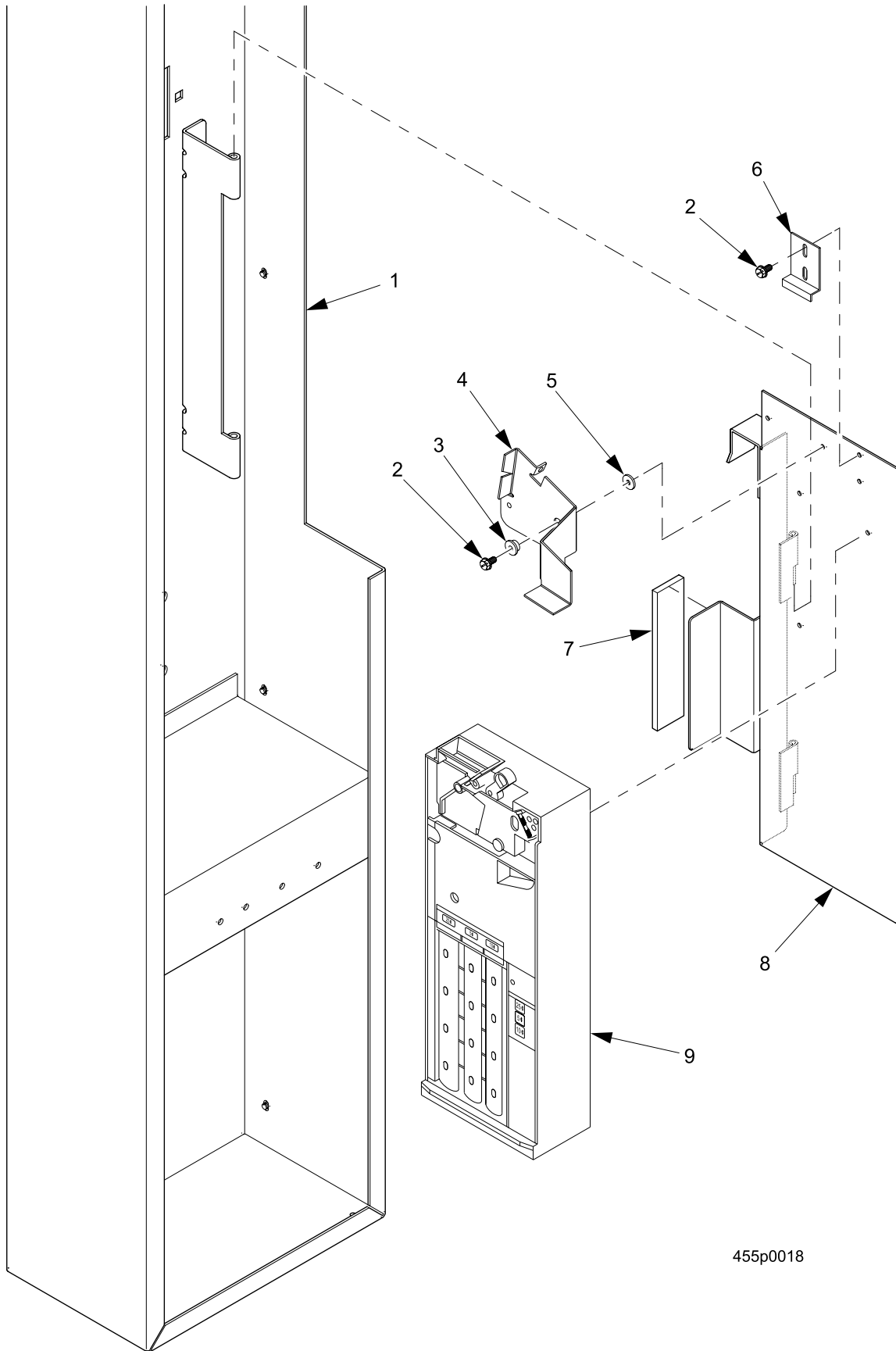
INDEX	PART NUMBER	DESCRIPTION	QTY
--	4285101	MONETARY PLATE ASSEMBLY -STANDARD DOMESTIC (115V)	--
1	4285099	PANEL & STUD ASSEMBLY - MONETARY	1
2	1675006	INSERT - INSTRUCTIONS - UPPER - SUREVEND	--
3	9900081	NUT #8 - 32 KEPS ZINC PLATE	--
4	1575048	PLATE - INSERT BACKING	--
5	4285109	ANGLE - MEMBRANE HOLDER	1
6	--	BILL VALIDATOR (SEE TABLE 42A FOR DETAILS)	OPT.
7	1127808	SPRING - SHELF RESET	1
8	2204093	WASHER - SCAVENGER BAR	2
9	1571113	ARM - SCAVENGER	1
10	2228011	SPACER - RELEASE ARM	2
11	1451097	SCREW - #8 - 32X.31 HEX HD.TF - BLACK	--
12	1571079	BRACKET - COIN RETURN BUTTON	1
13	1475072	SHAFT - RETURN BUTTON	1
14	1475026	BUTTON - COIN RETURN	1
15	4747171	SCREW - #6 - 19X.38 PHS T/C	--
16	2302053	SPACER - CUP	--
17	1575083	COIN CHUTE & BRACKET ASSEMBLY (455E UK)(	1
18	1575003	COIN CHUTE ASSEMBLY	1
19	4272060	PRODUCT GUIDE EDGE TRIM	2
20	1472223	COIN INSERT	1
	1672001	COIN INSERT - AUSTRALIA	

TABLE 42A: BILL VALIDATOR OPTIONS

PART NO	DESCRIPTION
1475053	MAKA VALIDATOR - MASK K (NB - 1KB - 400)
5900193	VALIDATOR - MARS - S2000 - VN2511 - U5E-CN
5900198	VALIDATOR - MARS - S2000 - VN2311 - U5E 11
5900205	VALIDATOR - MARS VN2512 - U5E 24
5900210	VALIDATOR - MARS - VN2512 - U5M/500 K
5900247	VALIDATOR - MARS AE2612 - U5M**MDB**
5900248	VALIDATOR - MARS AE2611 - U5E SERIAL
5900307	MARS CASH FLOW 7512,5 TB DIGI.
5900267	VALIDATOR - CONLUX NBM3140MDB-4
5900283	VALIDATOR - COINCO - MAGPRO - 32R
5900284	VALIDATOR - COINCO - MAGPRO - 30SA
5900285	VALIDATOR - COINCO - MAGPRO - 32SA
5900287	VALIDATOR - COINCO - MAGPRO - MAG50SA
5900303	VALIDATOR - COINCO BP4SX
5900290	VALIDATOR - COINCO MAGPRO52R K

TABLE 42B: COIN MECHANISM OPTIONS

PART NO	DESCRIPTION
5900213	COIN UNIT - COINCO - 9302GX MDB
5900244	COIN UNIT - COINCO USD - G701 MD
5900255	COIN UNIT - COINCO USD - G705 MD
5900269	COIN UNIT - COINCO USQ - G701 - MDB - 4 TUBE
5900270	COIN UNIT - COINCO USQ-G702 MDB-4 TUBE
6400003	COIN CHANGER - COINCO 9302LF - 24VDC W/15 PIN PLUG, PY02972, 21240
5900209	COIN UNIT - CONLUX USLZ - 001 "MDB"
5900279	COIN MECHANISM - CONLUX CCM5G - 4
5900216	COIN UNIT - MARS - VN4000, 110V
5900116	COIN UNIT - MARS TRC6000
5900289	COIN UNIT - MARS VN4510 MDB - DBL DIME 5/10/10/25
6400002	COIN CHANGER - MARS #TRC6010XV
5900214	COIN UNIT - MEI - VN4510 - MDB - CNS
5900243	COIN UNIT - TRC6512, 1195500,CN
5900276	COIN UNIT - VN4510 - 5/10/25/25



455p0018

FIGURE 43: MONETARY DOOR - PART 5

TABLE 43: MONETARY DOOR - PART 5

INDEX	PART NUMBER	DESCRIPTION	QTY
1	4555128	WELD ASSEMBLY - BRANDABLE MONETARY DOOR	1
	4555126	WELD ASSEMBLY - MILLENNIA MONETARY DOOR	
2	1451097	SCREW - #8 - 32X.31 HEX HD.TF - BLACK	--
--	4285077	BRACKET ASSEMBLY - COIN MECHANISM (ITEMS 3-6, 8)	--
3	2228011	SPACER - RELEASE ARM	2
4	1571113	ARM - SCAVENGER	1
5	2204093	WASHER - SCAVENGER BAR	2
6	6231037	CLAMP - CABLE	1
7	3122056	MAGNET - RETAINER - COIN CHANGER	2
8	4285086	BACKPLATE ASSEMBLY - COIN MECHANISM	1
9	--	COIN MECHANISM (SEE TABLE 42B FOR DETAILS)	OPT

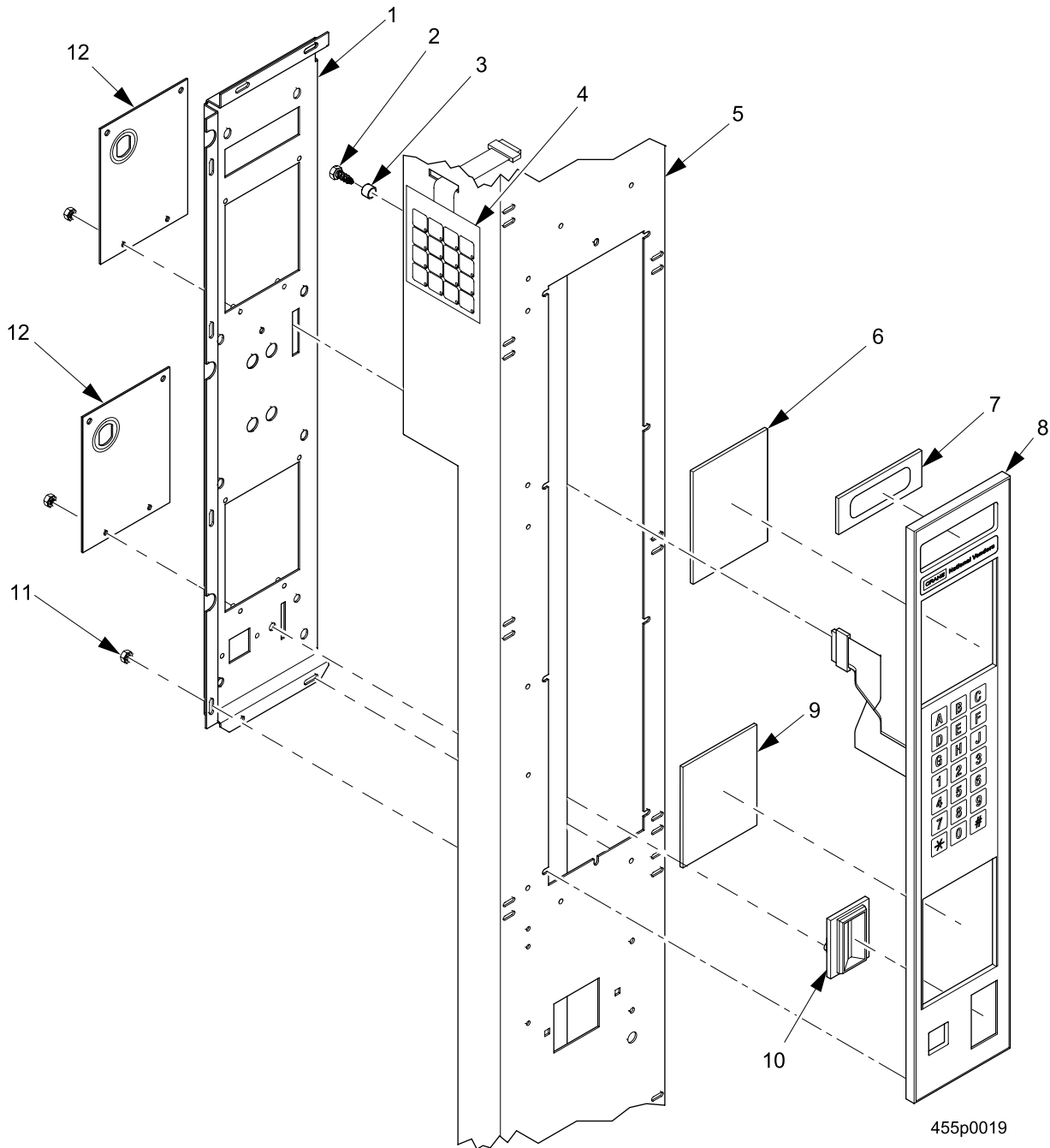
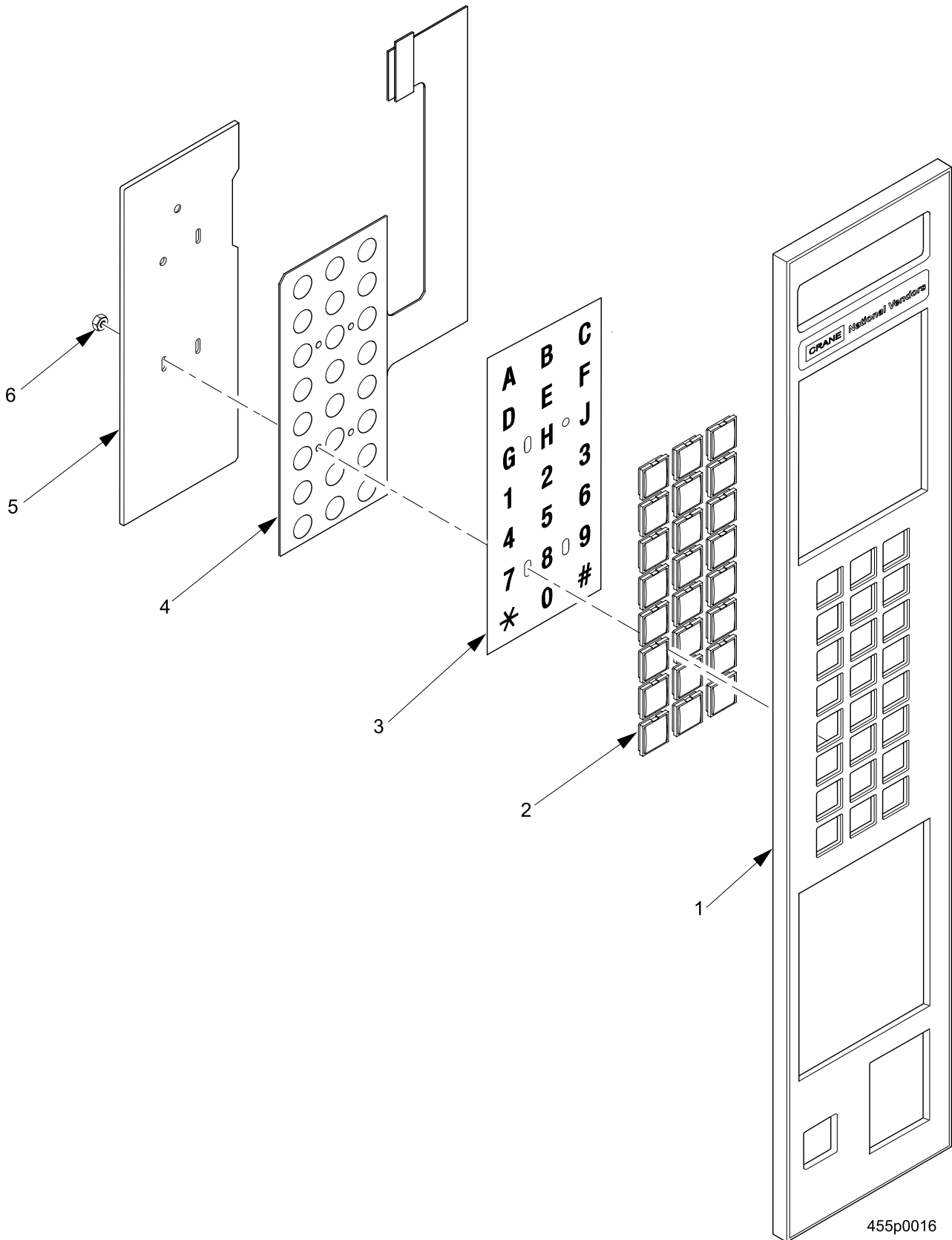


FIGURE 44: MONETARY DOOR - PART 6



TABLE 44: MONETARY DOOR - PART 6

INDEX	PART NUMBER	DESCRIPTION	QTY
1	4747171	SCREW - #6 - 19X.38 PHS T/C	--
2	4285099	PANEL & STUD ASSEMBLY - MONETARY	1
3	2302053	SPACER - CUP	--
4	4555066	SERVICE KEYPAD ASSEMBLY	1
5	4555128	WELD ASSEMBLY - BRANDABLE MONETARY DOOR	1
6	1675006	INSERT - INSTRUCTIONS - UPPER - SUREVEND	--
7	1572013	LENS - DISPLAY	1
8	1575098	FACEPLATE ASSEMBLY - W/COIN OPTION	1
9	1575035	INSERT - INSTRUCTIONS - LOWER - ENGLISH	--
	1575049	INSERT - INSTRUCTIONS - LOWER - UK. COINS	
10	1472223	COIN INSERT	1
11	9900081	NUT #8 - 32 KEPS ZINC PLATE	--
12	1575048	PLATE - INSERT BACKING	--

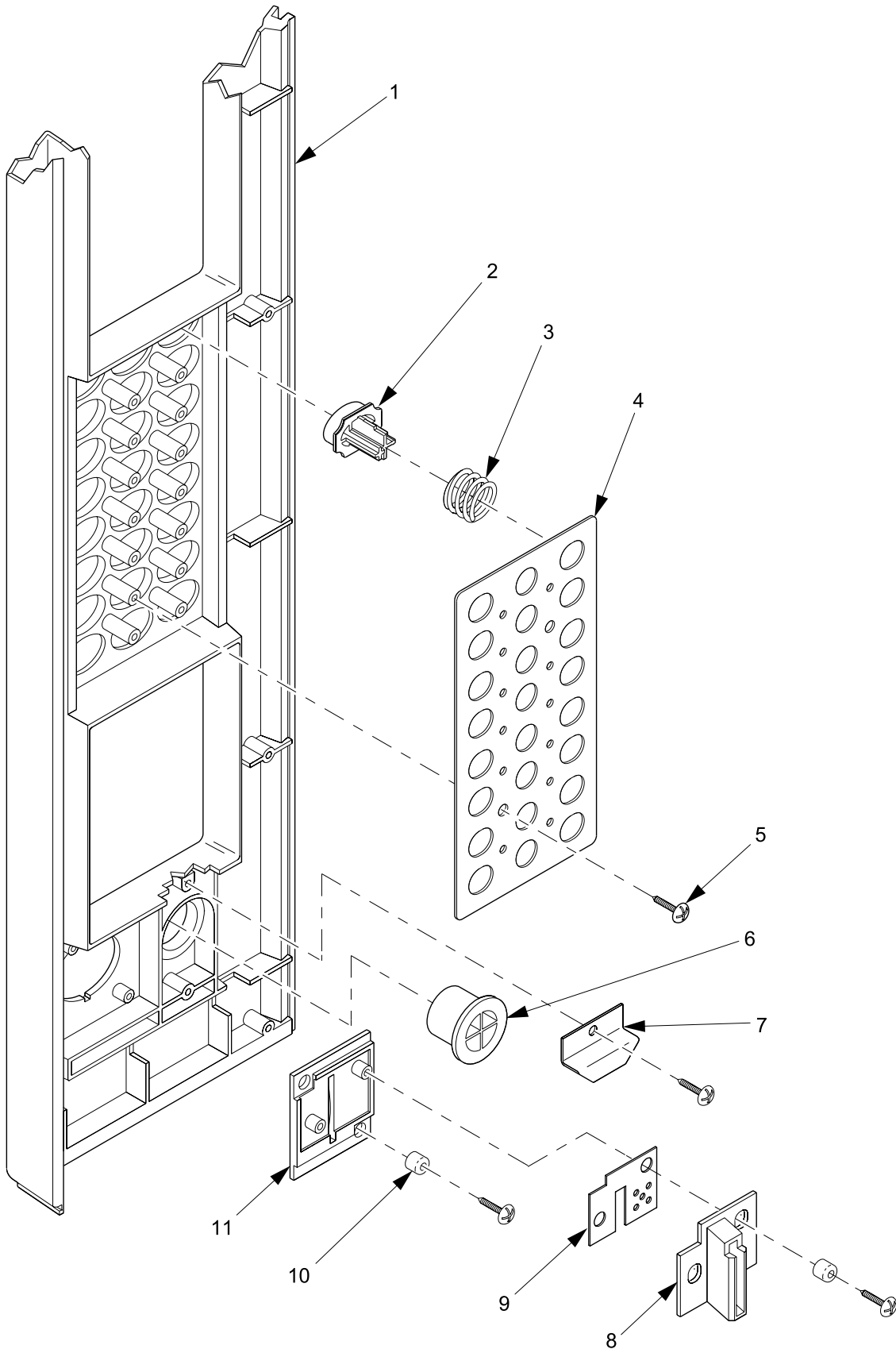


455p0016

FIGURE 45: MONETARY DOOR - PART 7

TABLE 45: MONETARY DOOR - PART 7

INDEX	PART NUMBER	DESCRIPTION	QTY
1	1575001	SELECTION PANEL - MONETARY	1
2	1472251	LENS - PUSH BUTTON	24
3	1575010	LETTER SHEET - SELECT SWITCH	1
4	7215019	MEMBRANE SWITCH ASSEMBLY - SELECT	1
5	1575091	PLATE - SELECT SWITCH - BACKUP - W/ STUD	1
6	1475089	1/8 NUT - SELF - THREADING	1

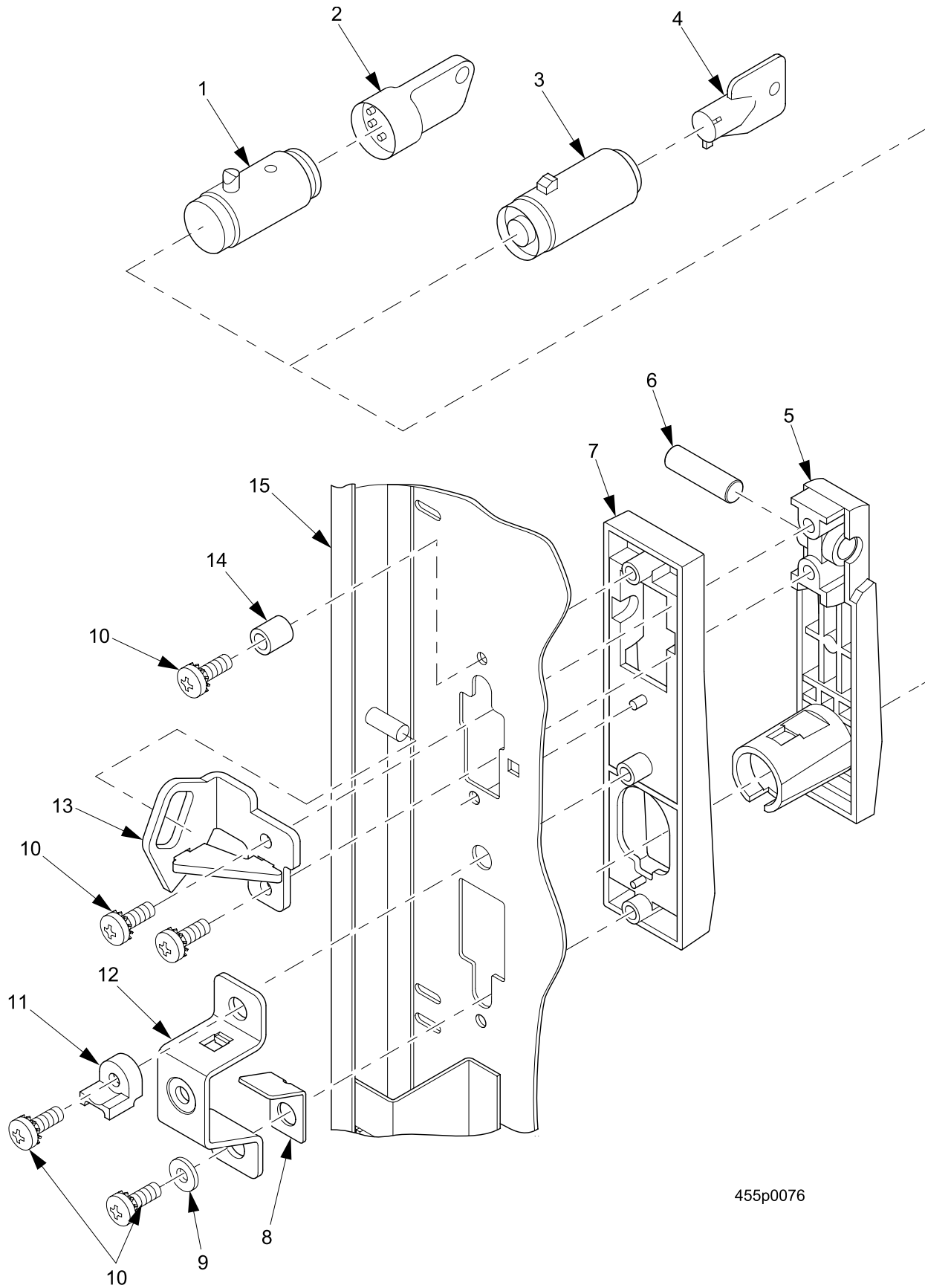


455p0071

**FIGURE 46: RIGHT PANEL MONETARY & BUTTON ASSEMBLY**

TABLE 46: RIGHT PANEL MONETARY &amp; BUTTON ASSEMBLY

INDEX	PART NUMBER	DESCRIPTION	QTY
--	1572254	RIGHT PANEL MONETARY & BUTTON ASSEMBLY	--
1	1572213	RIGHT HAND TRIM - UPPER - "A - 21"	1
2	1572212	ARRAY - PUSH BUTTON SELECTION	1
3	1572224	SPRING - PUSH BUTTON	21
4	1572223	PLATE - STOP BUTTONS	1
5	1472454	SCREW - #6 - 20 X.31 PHIL.TRUSS HD	12
6	1572210	COIN RETURN BUTTON - "A - 2"	1
7	1572292	RETAINER - RETURN BUTTON	1
8	1572323	EXTENSION - COIN INSERT	1
9	1671041	COIN BLOCK	1
10	2302053	SPACER - CUP	4
11	1572209	COIN INSERT - "A - 1"	1



455p0076

**FIGURE 47: DOOR LOCK AND HANDLE ASSEMBLY - STANDARD**

TABLE 47: DOOR LOCK AND HANDLE ASSEMBLY - STANDARD

INDEX	PART NUMBER	DESCRIPTION	QTY.
1	3112163	VAN LOCK CYLINDER #4275	1 OPT
2	3112164	KEY - VAN LOCK #K5 - STD. COMBINATION	
3	9992400	CYLINDER - LOCK	
4	--	KEY	
5	1172190	LEVER - LOCK	1
6	1302291	PIVOT - LEVER LOCK	1
7	1172191	BASE - LEVER LOCK	1
8	1302290	LATCH - LOCK LOWER	1
9	6131066	WASHER 5/8X.265X.048 ZINC/YEL	1
10	9900170	SCREW - #10-32 X 1/2" PHIL.PAN HD W/L.W.	5
11	1302326	SHIELD LATCH	1
12	1302324	CATCH - DOOR LATCH	1
13	2272052	ACTUATOR ASSEMBLY - LOCK BAR	1
14	1302289	CUP SPACER	1
15	--	MONETARY DOOR	REF

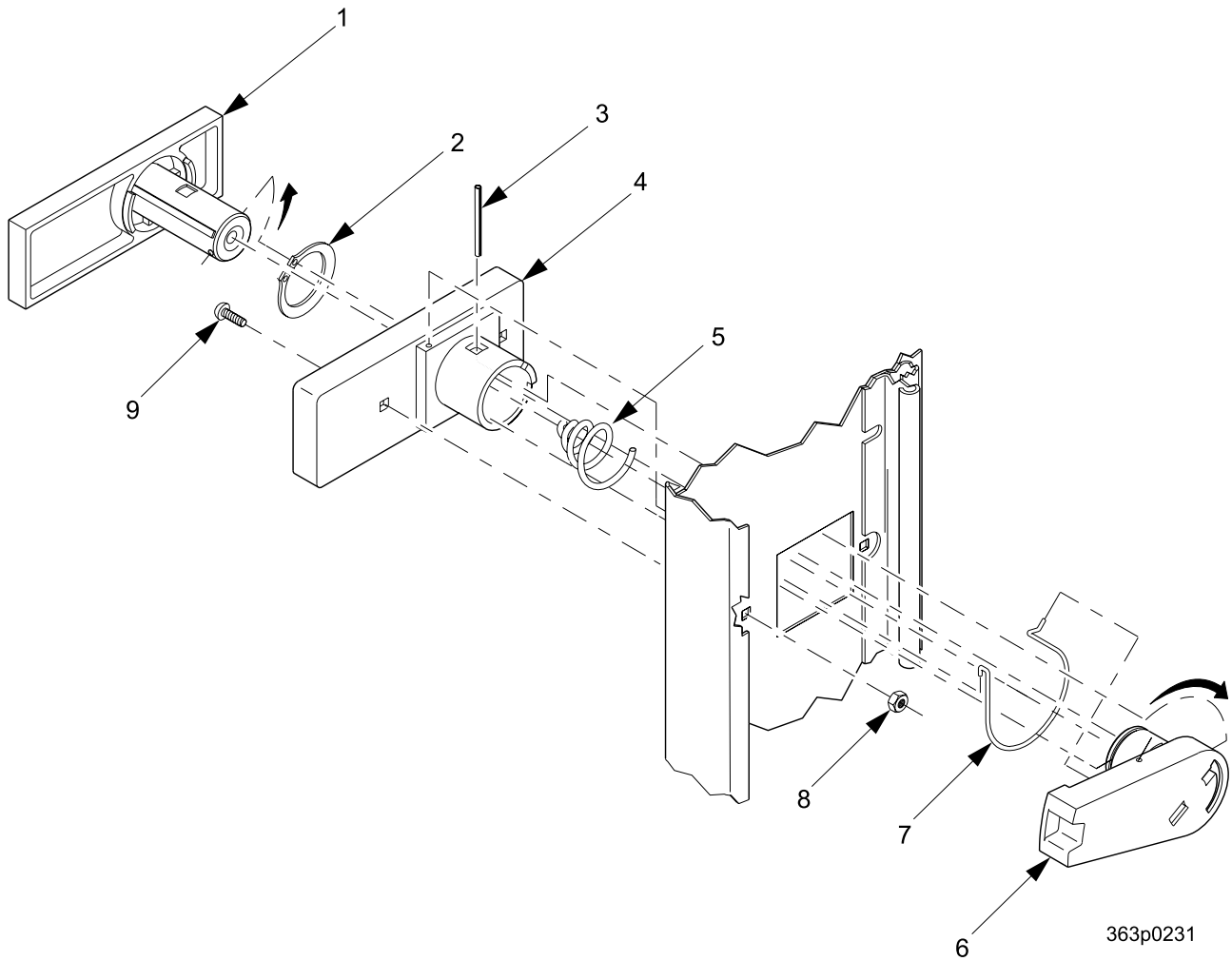
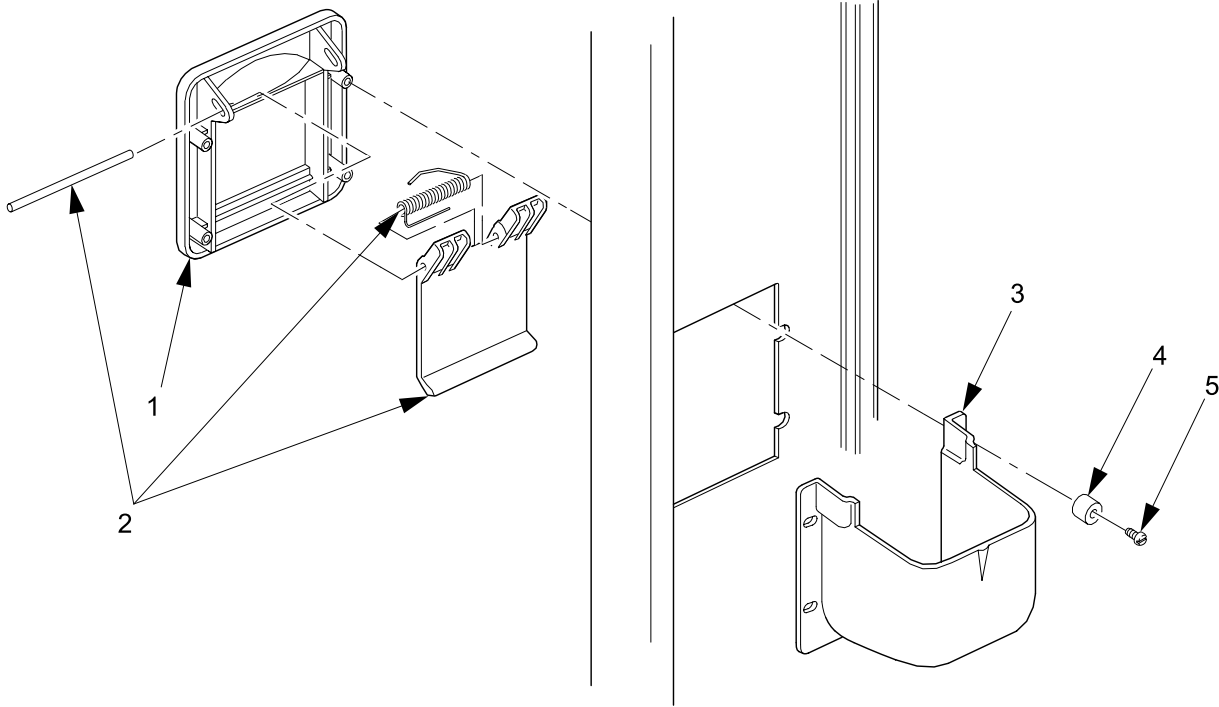


FIGURE 48: LOCK ASSEMBLY - MILLENIA

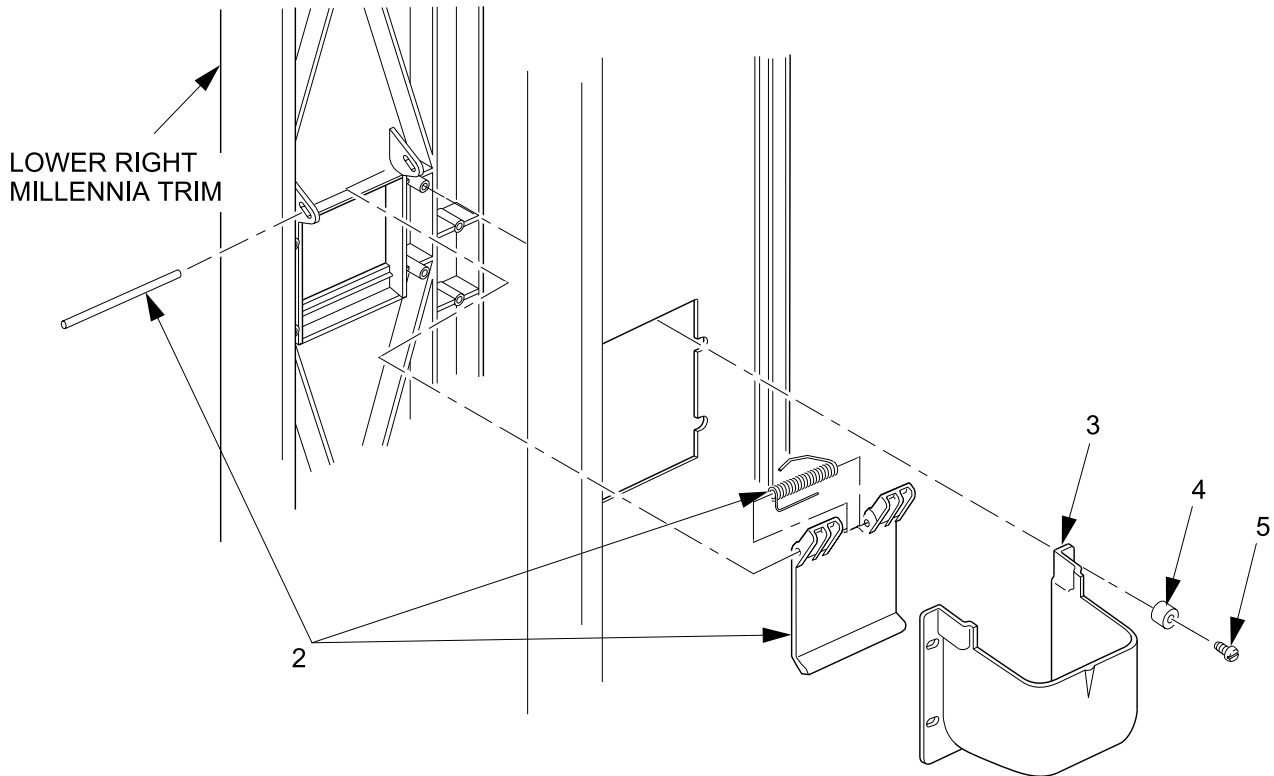


TABLE 48: LOCK ASSEMBLY - MILLENIA

INDEX	PART NUMBER	DESCRIPTION	QTY
--	1572395	LOCK ASSEMBLY - MILLENNIA - NAMA STANDARD	--
1	1572397	LEVER - LOCK HANDLE	1
2	1572199	RETAINING RING - LOCK ACTUATOR	1
3	6104218	ROLL PIN 1/8 X 1 IN	1
4	1572396	BASE - LOCK HANDLE	1
5	1572203	SPRING - LOCK	1
6	1572204	SPRING - LIFT - ACTUATOR	1
7	1572398	ACTUATOR - LOCK BAR	1
8	9900152	NUT #10-24	2
9	2221908	CARRIAGE BOLT - BASE PLATE	2



COIN RECEPTACLE ASSEMBLY - STANDARD



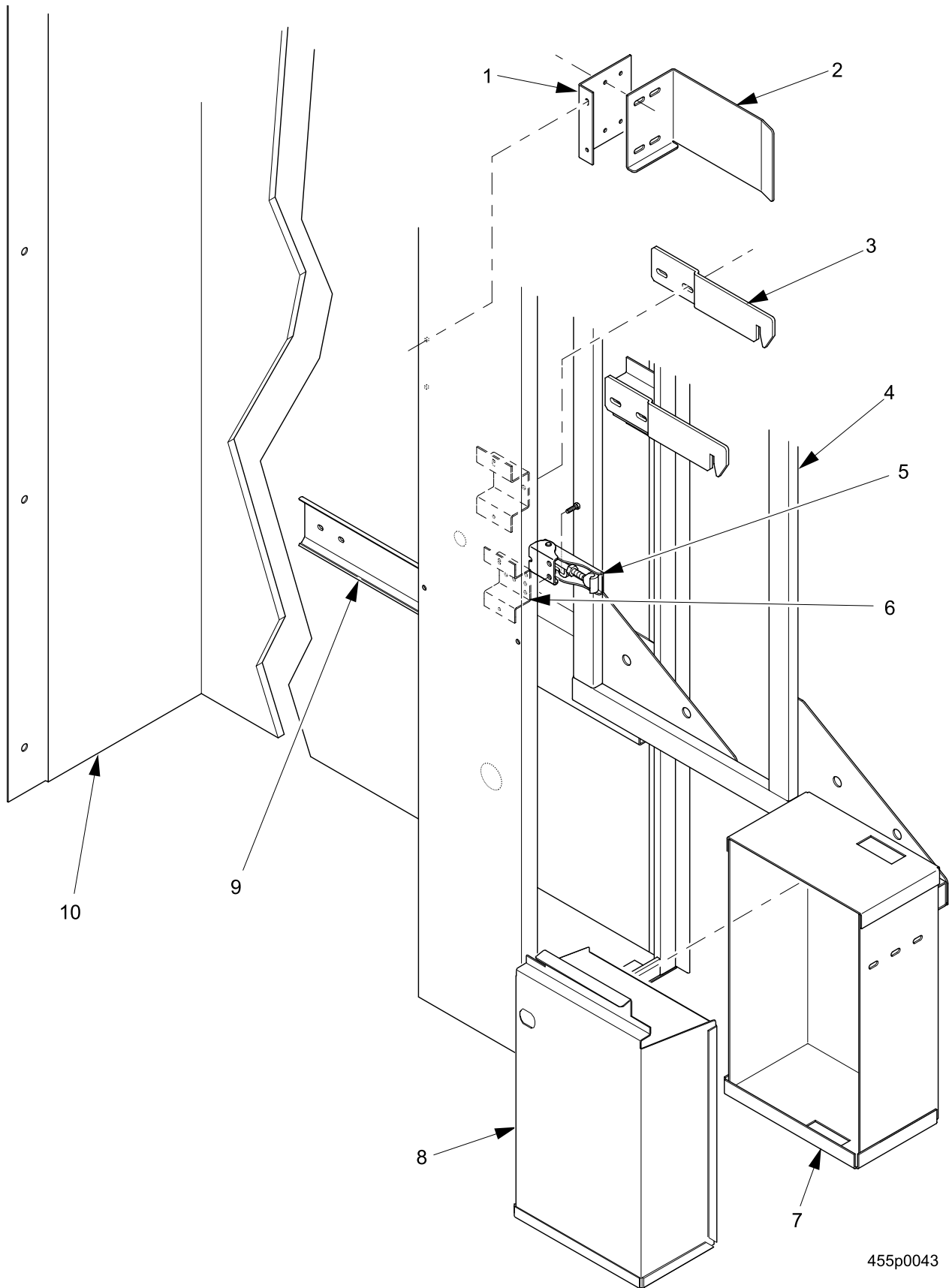
COIN RECEPTACLE ASSEMBLY - MILLENNIA

497p0090

FIGURE 49: COIN CUP

TABLE 49: COIN CUP

INDEX	PART NUMBER	DESCRIPTION	QTY
--	1672080	GATE & TRIM ASSEMBLY - COIN RETURN (INCLUDES ITEMS 1, 2)	--
1	1572011	TRIM - COIN CUP - BLACK (STANDARD STYLE ONLY)	1
2	1672082	GATE, SPRING & SHAFT ASSEMBLY (INCLUDES NEXT 3 ITEMS )	1
--	4245084	SHAFT - DOOR - COIN RETURN	--
--	4245083	SPRING - COIN RETURN DOOR	--
--	4245082	GATE - COIN RETURN	--
3	1572010	CUP - COIN RETURN	1
4	2302053	SPACER - CUP	--
5	9900160	SCREW - #8-18 X 1/2" PHIL.PAN HD.	--

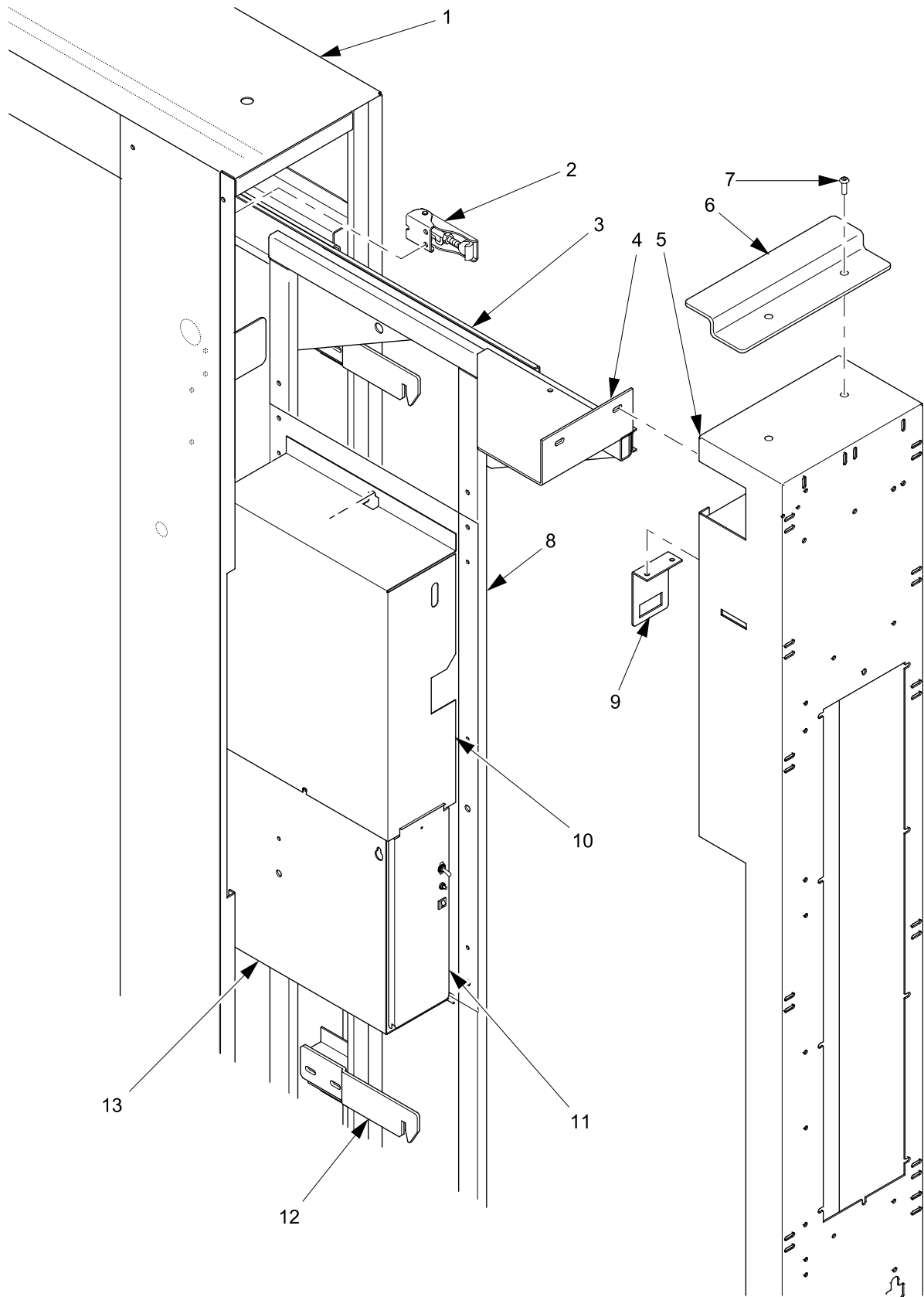


455p0043

**FIGURE 50: LOWER MONETARY COMPARTMENT**

TABLE 50: LOWER MONETARY COMPARTMENT

INDEX	PART NUMBER	DESCRIPTION	QTY
1	4555019	PLATE - COINMECH ALIGNMENT MOUNTING	1
2	4555026	BRACKET - COINMECH ALIGNMENT	1
3	4555009	LOCK ARM - CABINET	2
4	4555151	WELD ASSEMBLY - MOUNTINGPLATE FRAME	1
5	4555039	LATCH - CONCEALED DRAW	1
6	4555037	BRACKET - CABINET DOOR SWITCH MOUNTING	1
7	4555160	WELD ASSEMBLY - MONEY BOX HOUSING	1
8	1671090	MONEY BOX ASSEMBLY	1
9	4555154	SLIDE - MONETARY	1
10	4555000	CABINET ASSEMBLY - MONETARY - COMMON	1



455p0042

**FIGURE 51: UPPER MONETARY COMPARTMENT**

TABLE 51: UPPER MONETARY COMPARTMENT

INDEX	PART NUMBER	DESCRIPTION	QTY
1	4555150	WELD ASSEMBLY - MONETARY CABINET	1
2	4555039	LATCH - CONCEALED DRAW	1
3	4555154	SLIDE - MONETARY	1
4	4555023	BRACKET - FRAME UPPER	1
5	4555126	WELD ASSEMBLY - MILLENNIA MONETARY DOOR	1
6	4555132	PANEL - VANDAL - MONETARY	1
7	7211272	RIVET - 1/4 DIA.X 3/8 ALUMINUMDRIVE	--
8	4555151	WELD ASSEMBLY - MOUNTINGPLATE FRAME	1
9	4555133	BRACKET - SWITCH MOUNTING	1
10	4555035	COVER - PC BOARD	1
11	4555137	POWER CONTROL PANEL ASSEMBLY - 120V	1
12	4555009	LOCK ARM - CABINET	2
13	4555036	COVER - POWER SUPPLY	1

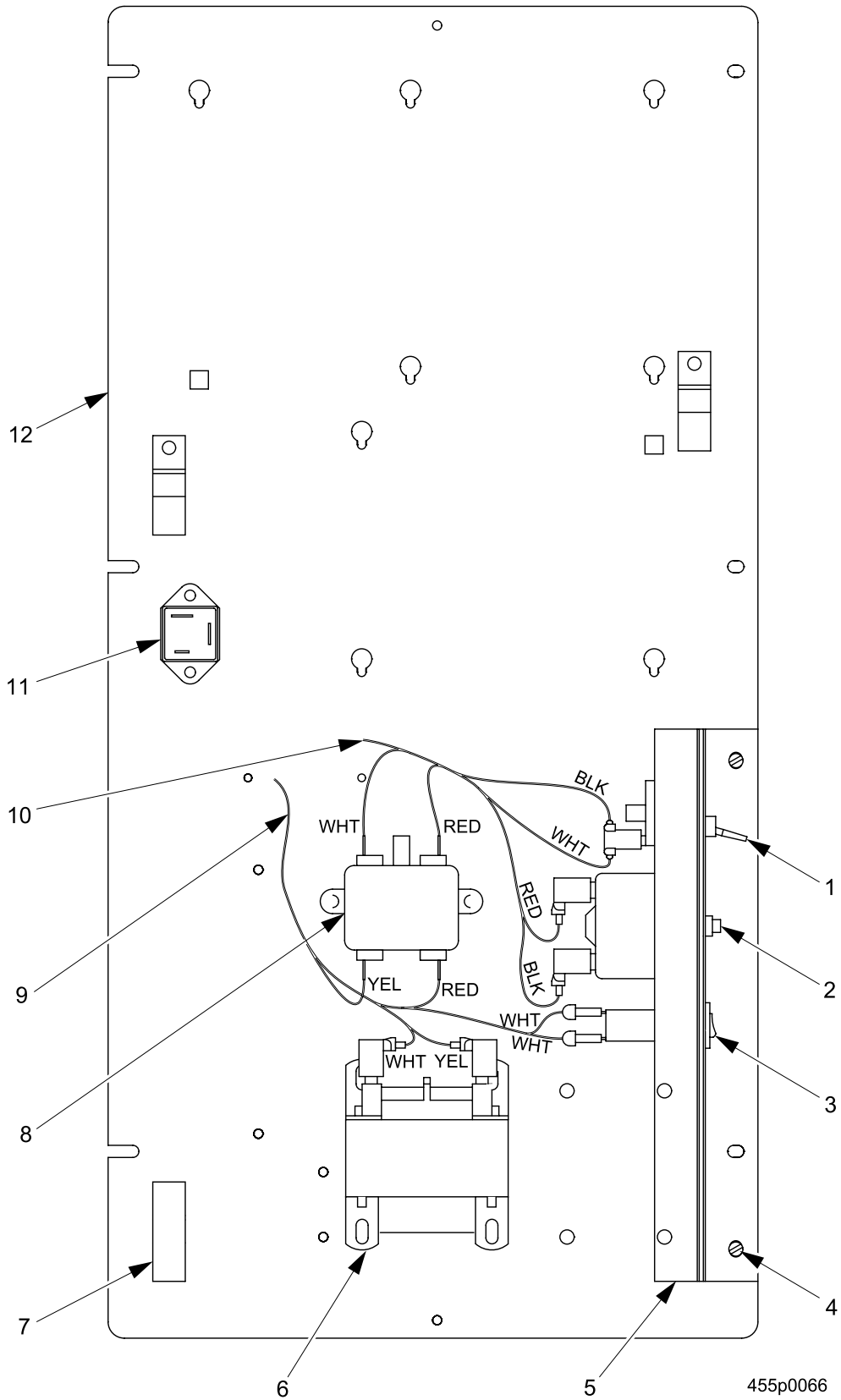


FIGURE 52: POWER PANEL ASSEMBLY



TABLE 52: POWER PANEL ASSEMBLY

INDEX	PART NUMBER	DESCRIPTION	QTY
--	4555137	POWER CONTROL PANEL ASSEMBLY - 120V	1
1	9984629	SWITCH - TOGGLE - DPST - 20AMP	1
2	9989673	CIRCUIT BREAKER - 20A	1
3	9989674	CIRCUIT BREAKER - 4 AMP	1
4	9900106	SCREW #8-32 X 3/8 ACORN HEX HD S/TA	8
5	4555034	PANEL - CONTROL MOUNTING	1
6	9989046	24V - DUAL PIR.-.187 TERM.	1
7	4305043	HARNESS CLIP - 1.00	3
8	9989100	INTERFERENCE FILTER	1
9	7219022	HARNESS - 24V POWER	1
10	7219038	HARNESS - MONETARY A.C.	1
11	9983778	TRIAC - 35A - 600V	1
12	4555033	PANEL - POWER	1
--	9989659	PCB ASSEMBLY - DUMB MECH POWER SUPPLY (OPTIONAL, NOT SHOWN)	

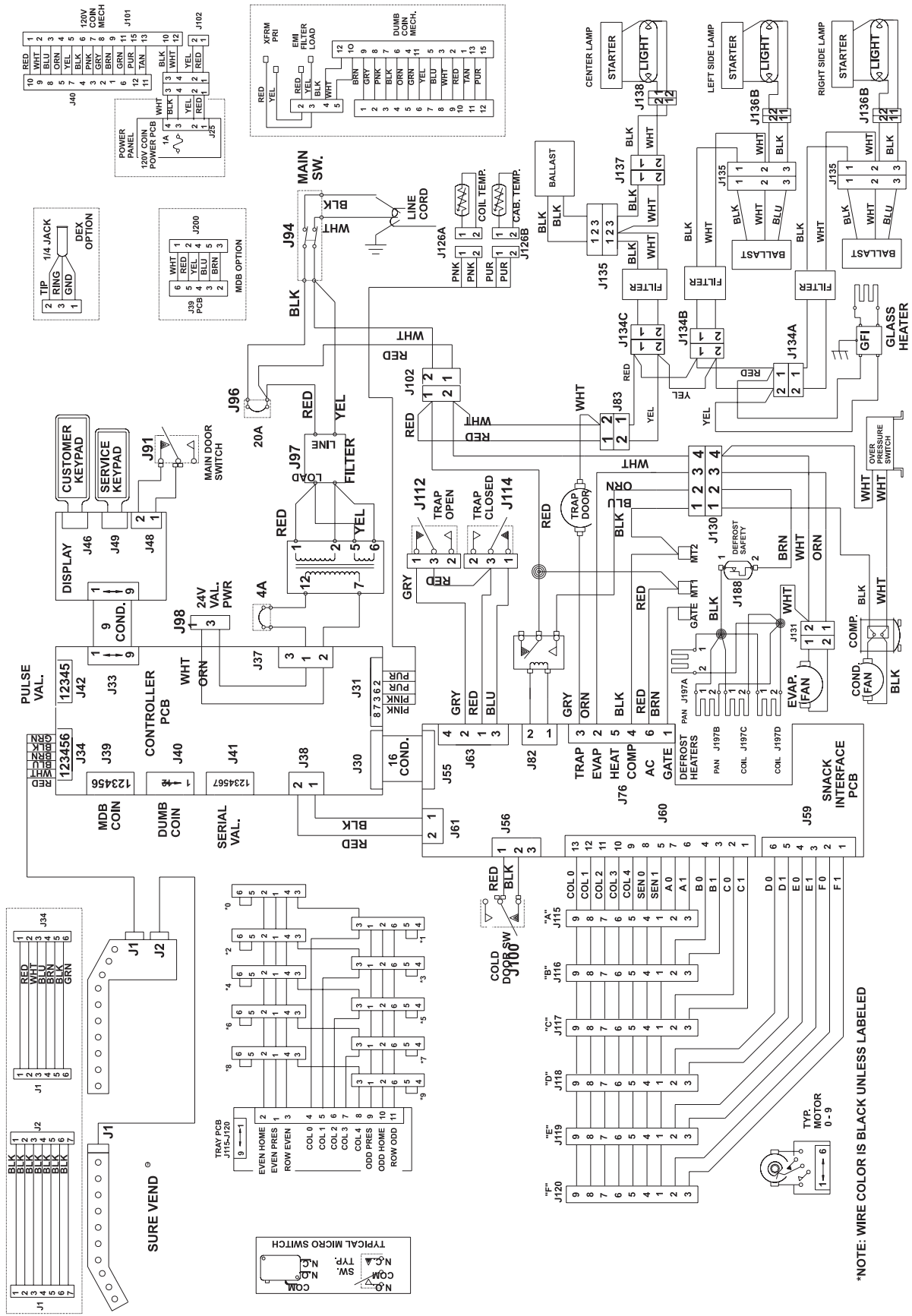


FIGURE 53: HARNESSES

TABLE 53: HARNESES

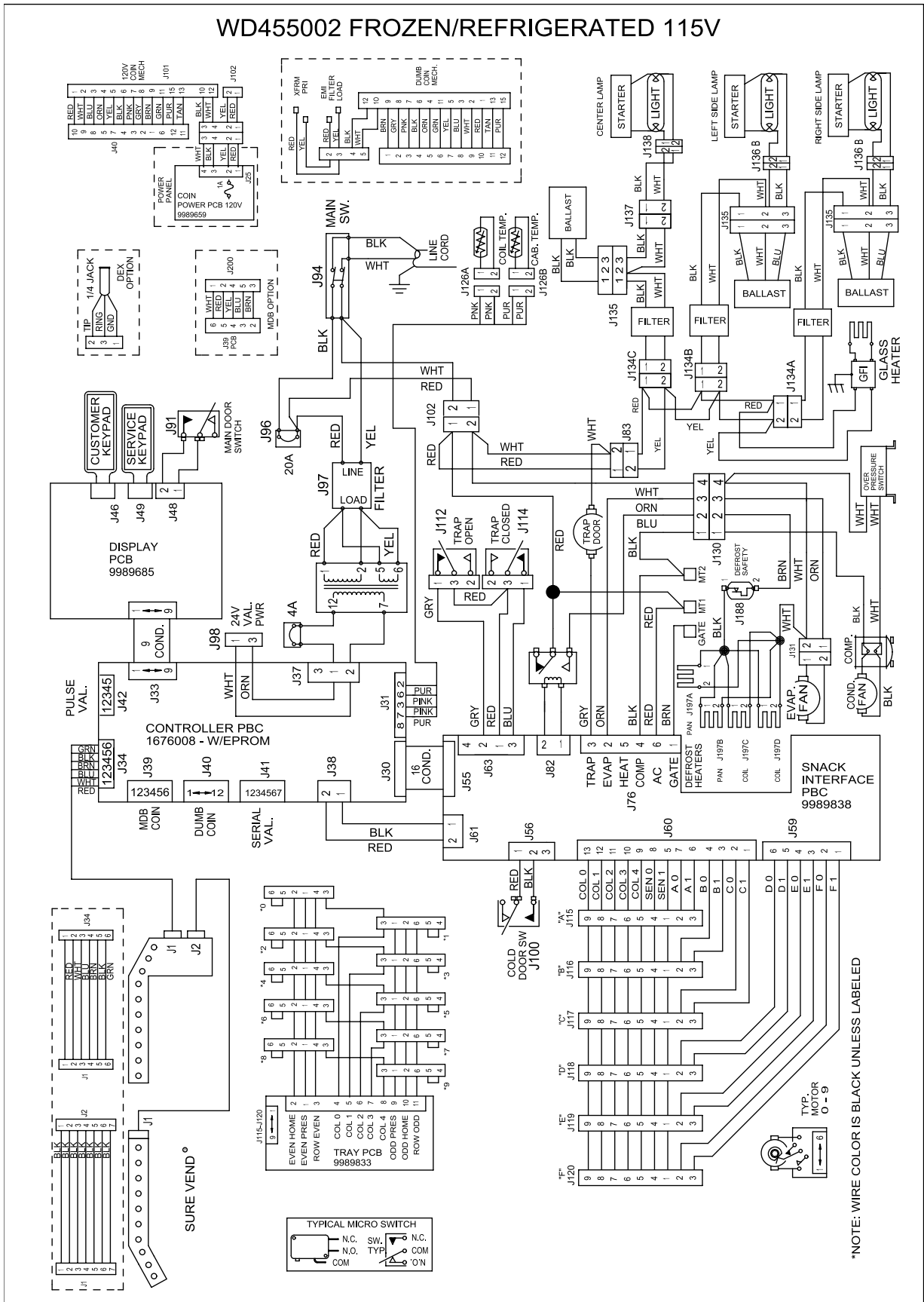
CONNECTOR	PART NUMBER	DESCRIPTION
J1	1679012	HARNESS SUREVEND TO CONTROLLER
J2	1679013	HARNESS EMIT TO DETECTOR
J30	4559010	HARNESS 16 CONDUCTOR
J31	4559027	HARNESS - TRAP SWITCH & TEMPERATURE
J33	1599200	HARNESS CONTROLLER TO DISPLAY BOARD
J34	1679012	HARNESS SUREVEND TO CONTROLLER
J37	7219022	HARNESS 24 VOLT
J38	7219022	HARNESS 24V CONTROLLER TO INTER
J39	1679054	HARNESS MDB
J41	1679053	SERIAL VALIDATOR
J42	1679052	PULSE VALIDATOR
J46	7215019	SELECTION PAD
J48	1579009	HARNESS MAIN DOOR SWITCH
J49	4555066	FUNCTION KEYPAD
J55	4559010	HARNESS 16 CONDUCTOR
J56	4559011	HARNESS COLD DOOR TO CONTROLLER
J59	4559001	HARNESS CHANNEL
J60	4559001	HARNESS CHANNEL
J61	7219022	HARNESS 24V CONTROLLER TO INTERFACE
J91	1579009	HARNESS MAIN DOOR SWITCH
J94	7219022	HARNESS POWER PANEL
J96	7219022	HARNESS 24V
J97	7219022	HARNESS 24V
J98	7219022	HARNESS 24V
J100	4559011	HARNESS COLD DOOR TO CONTROLLER
J102	4559026	HARNESS CABINET AC
J115	4559001	HARNESS CHANNEL
J130	4559002	HARNESS REFRIGERATION
J131	4559002	HARNESS REFRIGERATION
J134	4559014	HARNESS PWR PANEL TO FLOURESCENT LIGHTS
J135	4559004	FILTER FLUORESCENT RIGHT
J136	4559008	FILTER FLUORESCENT LIGHTS
J137	4559016	FILTER FLUORESCENT LIGHTS
J138	4559017	HARNESS FLUORESCENT LEFT
J200	1679054	HARNESS MDB

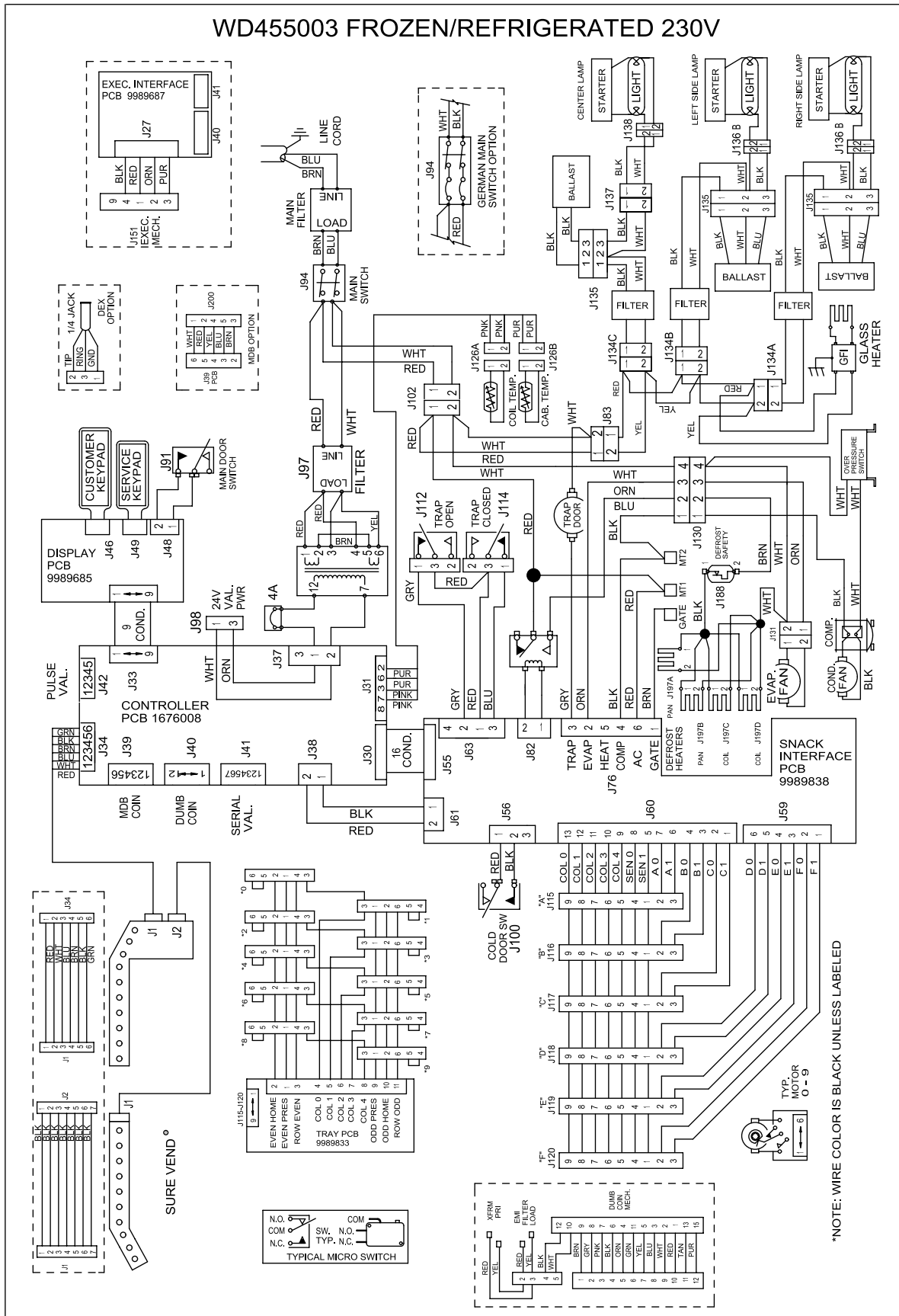
TABLE 54: BAG ASSEMBLY: 15

PART NUMBER	DESCRIPTION	QTY
1477015	ROLL - PRICE DOLLARS KB	20
5920012	BAG - PLASTIC - 12 X 15	1
1477074	PUSHER - PRODUCT	10
4557018	LABEL - ITEM LETTERS - A0 - A9	1
4557019	LABEL - ITEM LETTERS - B0 - B9	1
4557020	LABEL - ITEM LETTERS - C0 - C9	1
4557021	LABEL - ITEM LETTERS - D0 - D9	1
4557022	LABEL - ITEM LETTERS - E0 - E9 KB	1
1599024	HARNESS - MOTOR COUPLER	15
4550000	FROZEN GOURMET PROGRAMMING GUIDE	1
4550001	FROZEN GOURMET SET-UP & OPERATOR'S GUIDE	1
4559022	LIST - HARNESS CONNECTIONS	1
WD455004	W.D. - FROZEN/REFRIGERATED - 115	1

TABLE 55: BAG ASSEMBLY 4550001 (MICHELINA'S)

PART NUMBER	DESCRIPTION	QTY
1477074	PUSHER - PRODUCT	10
4557018	LABEL - ITEM LETTERS - A0 - A9	1
4557019	LABEL - ITEM LETTERS - B0 - B9	1
4557020	LABEL - ITEM LETTERS - C0 - C9	1
4557021	LABEL - ITEM LETTERS - D0 - D9	1
4557022	LABEL - ITEM LETTERS - E0 - E9 KB	1
4550000	FROZEN GOURMET PROGRAMMING GUIDE	1
4550001	FROZEN GOURMET SET-UP & OPERATOR'S GUIDE	1
4559022	LIST - HARNESS CONNECTIONS	1
WD455004	W.D. - FROZEN/REFRIGERATED - 115	1





# Frozen Gourmet Parts Manual

# Part Number Index

Part Number	Page	Part Number	Page	Part Number	Page
1127808	85	1572209	95	1672001	85
1171021	23	1572210	95	1672035	19
1171022	23	1572212	95	1672037	29
1172190	97	1572213	77, 95	1672061	57
1172191	97	1572214	77	1672080	101
1172261	23	1572223	95	1672082	101
1172262	23	1572224	95	1672084	31
1211105	25, 63	1572229	31	1675006	85, 91
1211115	51	1572230	31	1676000	57
1217159	59	1572254	95	1676008	83
1271081	29	1572258	7	1676011	57
1302289	97	1572267	7	1679012	109
1302290	97	1572289	29	1679013	109
1302291	97	1572292	95	1679052	109
1302324	97	1572303	33	1679053	109
1302326	97	1572304	33	1679054	109
1306140	61	1572315	29	1701001	35
1412058	29	1572316	31, 33	1701004	35
1451097	... 5, 7, 13, 15, 17, 19, 21, ... 25, 27, 35, 37, 39, ... 41, 45, 51, 59, 85, ...	1572317	31	1707001	47
1457061	47	1572318	33	1707004	47
1471098	43	1572319	33	1707005	47
1471237	43	1572320	33	1707006	47
1472223	85, 91	1572323	95	1707007	47
1472250	79	1572330	33	1707016	47
1472251	93	1572334	33	1707017	47
1472273	47	1572335	33	1707018	47
1472274	47	1572353	31	1707019	47
1472454	95	1572356	33	1707040	47
1475026	85	1572357	33	1707041	47
1475053	86	1572395	99	1707042	47
1475072	85	1572396	99	1707043	47
1475089	93	1572397	99	1707044	47
1475099	81	1572398	99	1707045	47
1477014	47	1572416	31	1707046	47
1477015	47, 110	1572417	31	1707047	47
1477074	110	1572420	31	1707062	47
1477097	47	1572421	31	2204093	59, 85, 89
1477107	47	1572423	31	2221908	99
1477113	47	1572452	31	2222031	47
1477134	47	1575001	93	2222095	13
1477148	47	1575003	85	2222096	13
1477155	47	1575010	93	2222110	75
1571079	85	1575035	91	2224552	39
1571113	85, 89	1575048	85, 91	2228011	85, 89
1572010	101	1575049	91	2272036	13
1572011	75, 101	1575083	85	2272052	97
1572013	91	1575091	93	2302053	85, 91, 95, 101
1572053	29	1575098	91	2346016	13
1572199	99	1575106	75	2347026	29
1572203	99	1579009	109	3104056	27
1572204	99	1599024	49, 110	3107171	13, 15, 17
		1599200	109	3112163	97
		1671041	95	3112164	97
		1671090	103	3113003	59

# Frozen Gourmet Parts Manual

# Part Number Index

Part Number	Page	Part Number	Page	Part Number	Page
3122056	89	4550001	110	4551265	57
3124037	71	4550834	9	4551281	61
3152398	23	4551004	55	4551282	61
3157060	27	4551005	35	4551283	61
3271014	35	4551007	51	4551285	35
3502078	19	4551008	35, 51	4551286	55
3632204	7	4551098	35	4551287	19
4031150	15, 17	4551100	61	4551308	59
4043066	63	4551121	55	4551309	19
4112088	29	4551137	43	4551314	59
4114029	71	4551138	43	4551315	59
4242045	15, 17	4551139	43	4551318	37
4242145	25	4551140	43	4551326	51
4245082	101	4551144	45	4551329	59
4245083	101	4551147	45	4551330	59
4245084	101	4551148	45	4551341	27
4247103	59	4551149	45	4551342	27
4247201	39	4551152	45	4551344	57
4247202	41	4551153	45	4551345	55
4247204	39, 41	4551154	45	4551346	55
4247205	39, 41	4551155	45	4551348	59
4247206	39, 41	4551185	37	4551353	43
4252187	27	4551192	37	4551354	43
4271057	19	4551193	51	4551357	35
4271109	57, 81	4551194	51	4551358	37
4272060	81, 85	4551195	37	4551359	35
4282040	7	4551197	37	4551360	37
4285013	79	4551200	59, 61	4551361	35
4285015	79	4551201	59	4551362	51
4285017	79	4551203	59	4552000	7
4285077	89	4551204	59	4552005	5, 7
4285085	79	4551205	59	4552006	7
4285086	89	4551207	59	4552007	7
4285099	81, 85, 91	4551208	59	4552009	7
4285101	85	4551209	59	4552010	7
4285109	81, 85	4551210	59	4552011	7
4301285	25	4551211	59	4552012	7
4302272	5	4551212	59	4552019	23
4302274	5, 75	4551213	59	4552025	15, 17
4302414	5, 75	4551215	51	4552026	11
4304194	71	4551217	59	4552027	11
4304231	63	4551218	59	4552028	11
4305043	107	4551228	51, 61	4552029	11
4311068	43	4551231	51, 61	4552030	11
4311096	21, 23, 55	4551237	35, 53	4552032	11
4312217	5, 75	4551238	53	4552036	35, 51
4314034	63	4551243	55	4552049	35
4314035	63	4551244	55	4552055	35
4314036	63	4551246	55	4552056	35
4314089	63	4551252	35, 57	4552057	7
4324030	63	4551256	55	4552058	7
4407080	59	4551260	55	4552059	7
4407817	47	4551261	35, 53, 55	4552060	7
4550000	110	4551262	57	4552062	29



# Frozen Gourmet Parts Manual

# Part Number Index

Part Number	Page	Part Number	Page	Part Number	Page
4552072	21	4552339	23	4554049	71
4552086	17	4552340	23	4554050	71
4552087	15	4552341	27	4554051	71
4552088	15, 17	4552370	5	4554052	71
4552089	17	4552371	7	4554053	71
4552097	23	4552411	3	4554056	71
4552108	23	4552412	3	4554057	65
4552111	19	4552413	3	4554059	71
4552112	19	4552414	3	4554060	71
4552118	27	4552415	3	4554061	63
4552119	27	4552416	3	4554062	69
4552121	25	4552417	75	4554063	63, 65, 69
4552122	25	4552418	75	4554064	63
4552134	35	4552419	3	4554065	69
4552139	29	4552420	3	4554066	69
4552141	29, 31	4554000	63	4554067	67
4552144	29, 31	4554002	67, 69	4554068	67
4552147	29	4554004	73	4554073	63, 65, 69
4552148	29	4554005	73	4554552	11
4552150	21	4554006	73	4555000	103
4552152	19	4554007	73	4555005	77
4552153	19	4554008	73	4555006	75
4552154	19	4554009	73	4555009	103, 105
4552158	13	4554010	73	4555010	79
4552159	15	4554011	73	4555019	103
4552168	19	4554012	65	4555023	105
4552171	5	4554013	65	4555026	103
4552176	5	4554014	65	4555033	107
4552177	5	4554015	65	4555034	107
4552178	5	4554016	71	4555035	83, 105
4552179	5	4554017	67, 71	4555036	105
4552181	5	4554019	69	4555037	103
4552187	5	4554020	69	4555039	103, 105
4552188	5	4554022	63	4555066	91, 109
4552193	5	4554023	67	4555067	81
4552221	3	4554025	63	4555071	75
4552236	3	4554026	65	4555072	75
4552251	3	4554027	65	4555075	75
4552266	3	4554028	63	4555104	75
4552281	3	4554029	69	4555108	9
4552296	3	4554031	73	4555109	9
4552311	3	4554032	67	4555122	75
4552315	19	4554033	67	4555126	77, 79, 81, 89, 105
4552316	27	4554034	67	4555128	75, 81, 89, 91
4552317	19	4554035	67	4555132	105
4552318	19	4554036	67	4555133	81, 105
4552319	9	4554038	63	4555137	83, 105, 107
4552320	9	4554039	63	4555138	83
4552322	27	4554040	63	4555150	105
4552323	19	4554041	65	4555151	103, 105
4552327	27	4554042	63, 65	4555154	103, 105
4552328	5	4554046	71	4555160	103
4552330	7	4554047	71	4557000	47
4552338	19	4554048	71	4557002	49



---

## Terms and Conditions of Sale

LIMITED WARRANTY: Subject to the limitation specified herein, all parts included on original equipment manufactured by CRANE MERCHANDISING SYSTEMS and sold to purchaser are warranted for two (2) years from the date of shipment of the equipment in question. This warranty applies only to the original purchaser of the Merchandiser and is null and void if the Merchandiser is sold during the period of warranty.

Defective parts will be repaired or replaced free of charge when the defective part is returned, with transportation charges prepaid by purchaser, to a destination designated by CRANE MERCHANDISING SYSTEMS.

This warranty does not include any cost of service rendered or repairs made by customer or its agents on Merchandiser, or parts, unless authorization to incur such expense has been given in writing by CRANE MERCHANDISING SYSTEMS prior to incurring such expense. This warranty covers labor and service charges performed by CRANE MERCHANDISING SYSTEMS service technicians for the first 90 days of ownership from date of shipment.

This warranty does not apply to A) electrical components, wiring, or circuits or mechanical parts or assemblies damaged as a result of operating the Merchandiser at other than the design voltage and frequency specified on the Electrical Rating Tag, or B) in event of vandalism, fire or negligence, or C) incandescent lamps, neon lamps, fluorescent lamps, ballasts, starters or other expendable items, or D) when seal is broken on electronic boards, or E) when other manufactured components are installed in CRANE MERCHANDISING SYSTEMS Merchandisers.

Replacement parts sold by CRANE MERCHANDISING SYSTEMS as After Market shall be covered for three months from the date shown on the parts invoice. Purchaser must obtain prior RETURN AUTHORIZATION for return of all parts, following guidelines given by CRANE MERCHANDISING SYSTEMS. New, unused parts purchased as After Market can be returned within 30 days from date of parts invoice, with prior authorization from CRANE MERCHANDISING SYSTEMS.

THIS WARRANTY IS IN LIEU OF ALL OTHER WARRANTIES EXPRESS OR IMPLIED, INCLUDING WITHOUT LIMITATION, WARRANTIES OF MERCHANTABILITY OF FITNESS FOR A PARTICULAR PURPOSE. CRANE MERCHANDISING SYSTEMS SHALL NOT BE RESPONSIBLE FOR CONSEQUENTIAL OR PUNITIVE DAMAGES. CRANE MERCHANDISING SYSTEMS neither assumes nor authorizes any person to assume for it any obligation or liability in connection with the sale of said equipment or any part thereof.

