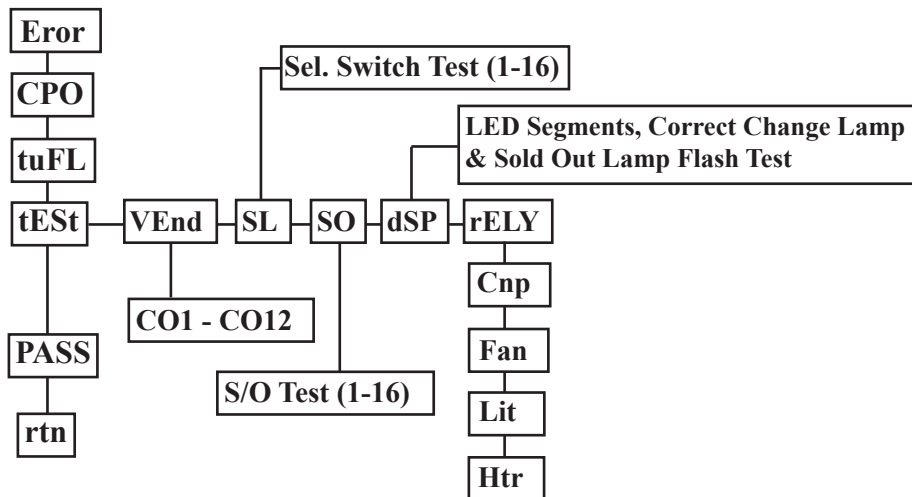


EXTERNAL MENU

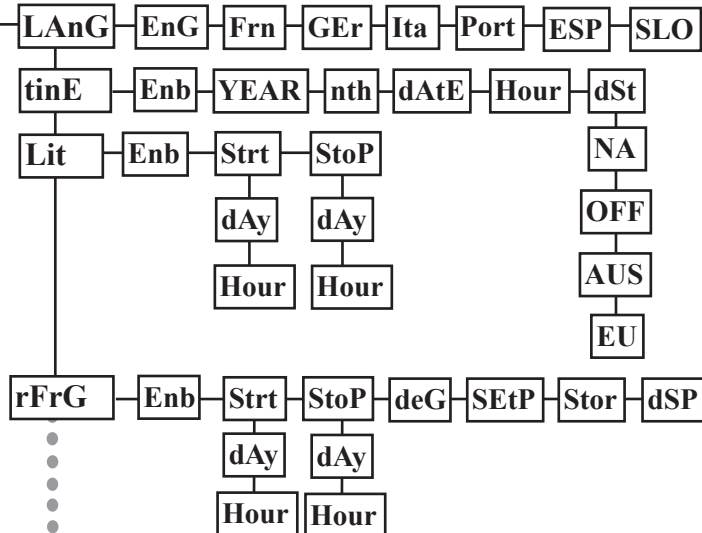
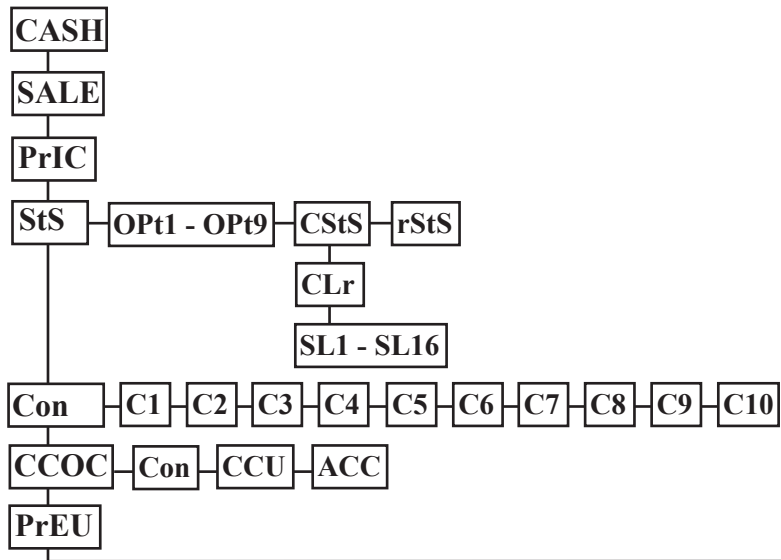


KO Control Board Programming Flowchart

INTERNAL (SERVICE) MENU



PASSWORD PROTECTED MENU



If Configuration 2 is enabled, the following menus will appear:

