

Size: 12oz / 355ml

Rev. A Date 09/28/00

Pkg. Description/Type: GENERIC 12oz / 355ml CANS

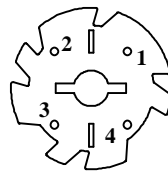
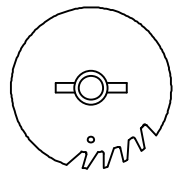
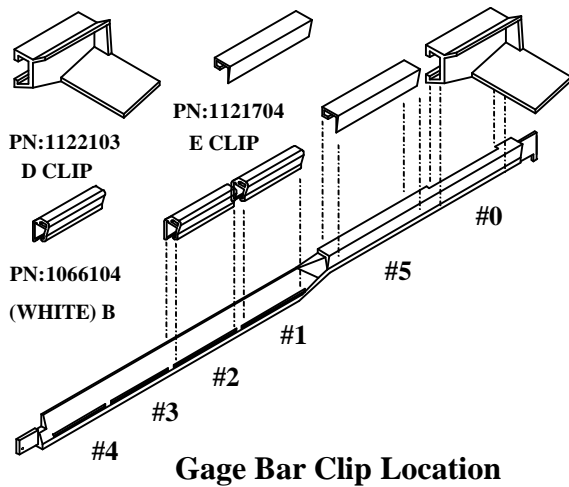
Franchise: ANY

KIT# 1113228-8

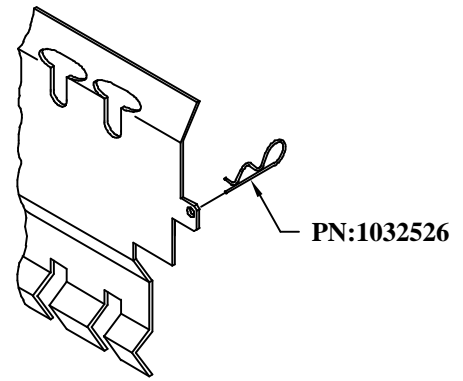
Column Setup

Cam Setting	Back Spacer	Neck Guide Locations	Gage Bar Clip Location	Gage Bar Location	Side Spacer	Sold Out Flap	Sold Out Spacer
4	19	N/A	B/#1 & B/#2 D/#0, E/#5	#1	1122032 Loc. #1	LONG	N/A

Note: To properly vend product the V-Max must have the columns set up as illustrated.



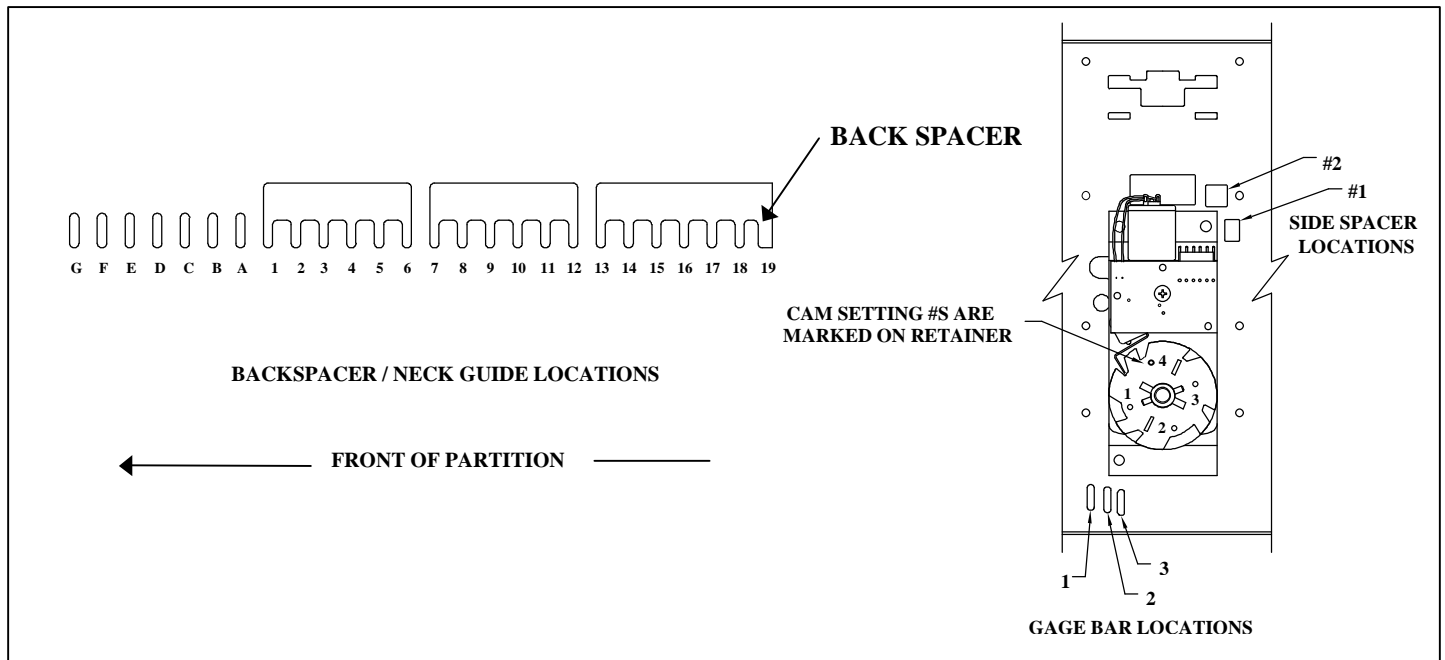
Cam and Retainer



PN:1122032

Spacer

Set Up Guide



FOR OTHER PRODUCT SET-UP GUIDES, CONTACT THE VENDO COMPANY.
TEL : (559) 439-1770 FAX: (559) 650-3455.

Installation Instruction #1122171

Size: 12oz / 355ml

Rev. B Date 05/11/01

Pkg. Description/Type: GENERIC 12oz / 355ml CANS

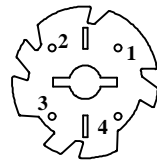
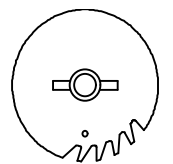
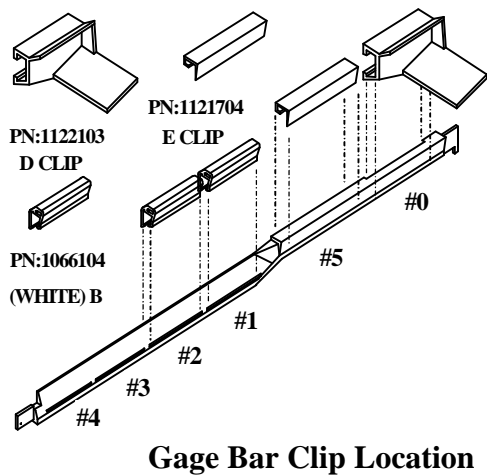
Franchise: ANY

KIT# 1113228-8

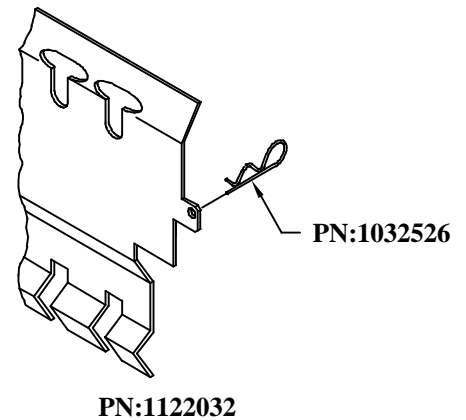
Column Setup

Cam Setting	Back Spacer	Neck Guide Locations	Gage Bar Clip Location	Gage Bar Location	Side Spacer	Sold Out Flap	Sold Out Spacer
4	19	N/A	B/#1 & B/#2 D/#0, E/#5	#1	1122032 Loc. #1	Long	N/A
3	11	N/A	B/#1 B/#2	#2	1122032 Loc. #1	Long	N/A

Note: To properly vend product the V-Max must have the columns set up as illustrated.

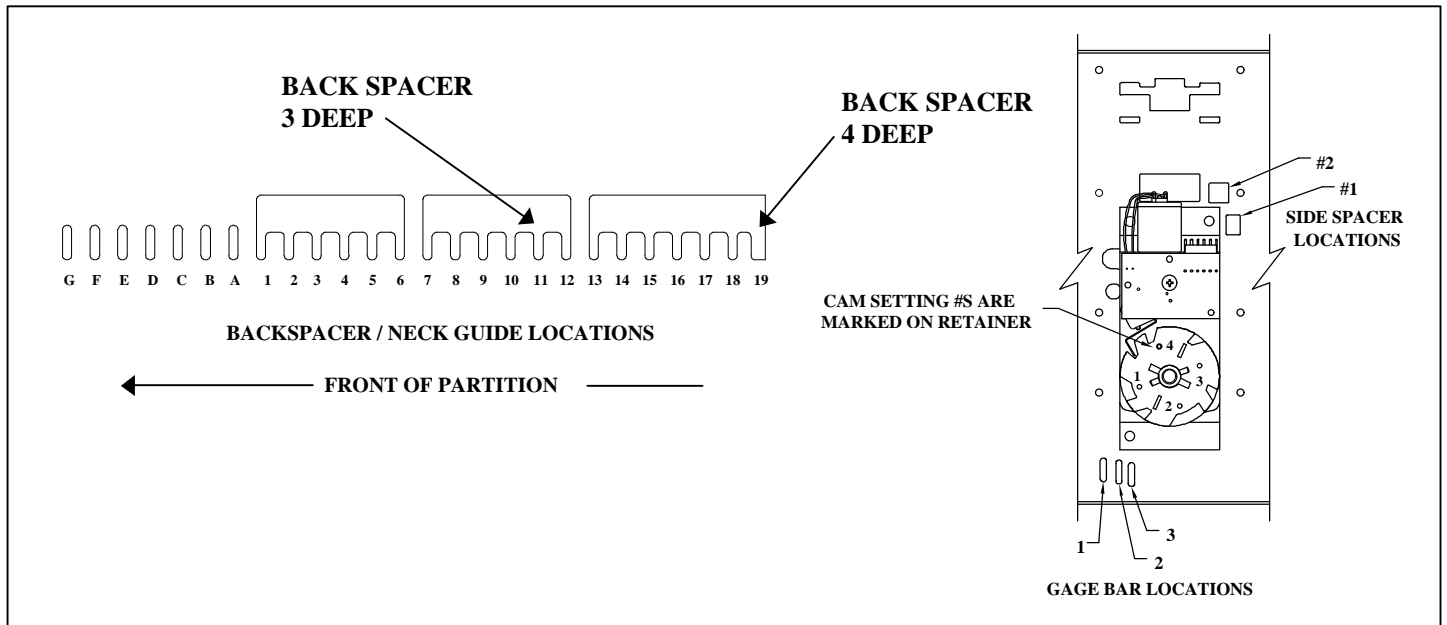


Cam and Retainer



Spacer

Set Up Guide



FOR OTHER PRODUCT SET-UP GUIDES, CONTACT THE VENDO COMPANY.

TEL : (559) 439-1770 FAX: (559) 650-3455.

Installation Instruction #1122171

Size: 13oz / 384ml

Rev. A Date 11/29/00

Pkg. Description/Type: TROPICANA GLASS

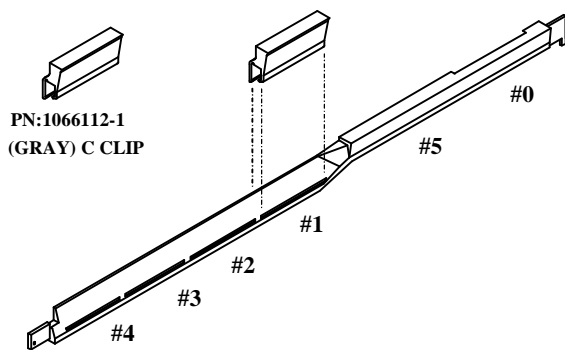
Franchise: PEPSI

Kit#

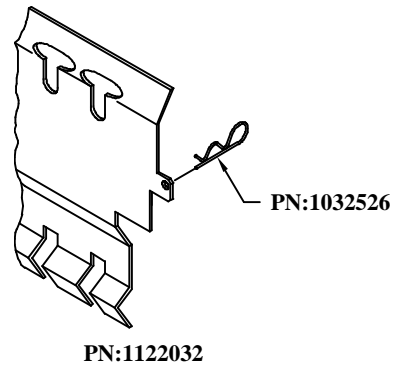
Column Setup

Cam Setting	Back Spacer	Neck Guide Locations	Gage Bar Clip Location	Gage Bar Location	Side Spacer	Sold Out Flap	Sold Out Spacer
2	10	N/A	C/1	#2	1122032 Loc. #1	Long	N/A

Note: To properly vend product the V-Max must have the columns set up as illustrated.

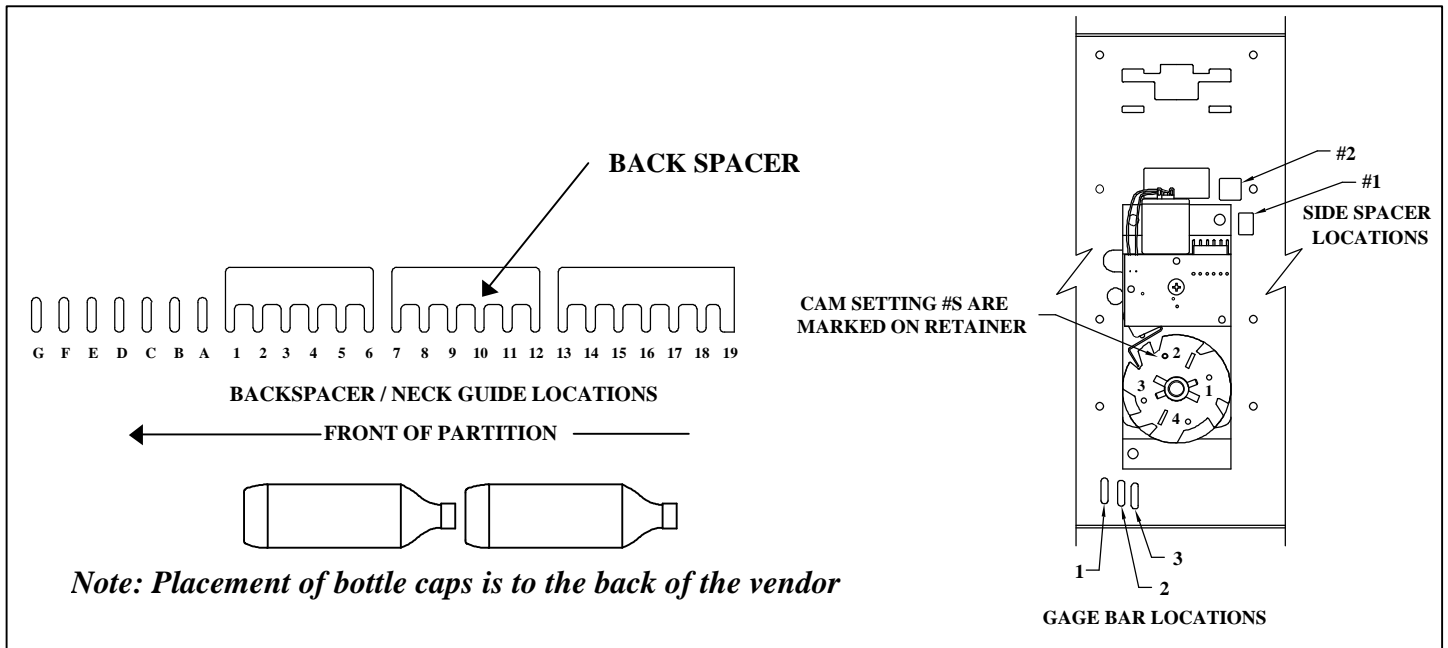


Gage Bar Clip Location



Spacer

Set Up Guide



FOR OTHER PRODUCT SET-UP GUIDES, CONTACT THE VENDO COMPANY.

TEL: (559) 439-1770 FAX: (559) 650-3455.

Installation Instruction #

Size: 16oz / 473ml

Rev. B Date 10/2/00

Pkg. Description/Type: TROPICANA/DOLE

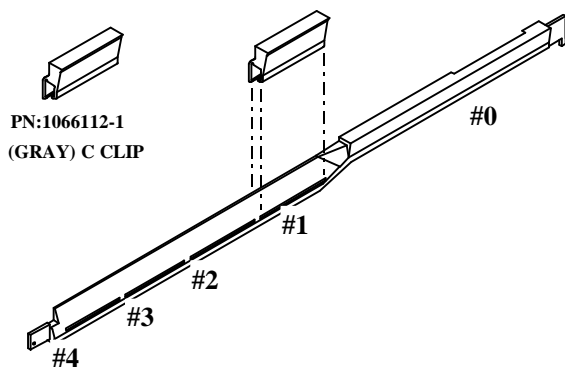
Franchise: PEPSI

Kit#

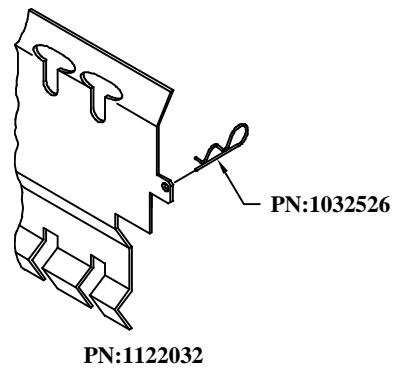
Column Setup

Cam Setting	Back Spacer	Neck Guide Locations	Gage Bar Clip Location	Gage Bar Location	Side Spacer	Sold Out Flap	Sold Out Spacer
2	12	N/A	C/1	#2	1122032 Loc. #1	Long	N/A

Note: To properly vend product the V-Max must have the columns set up as illustrated.

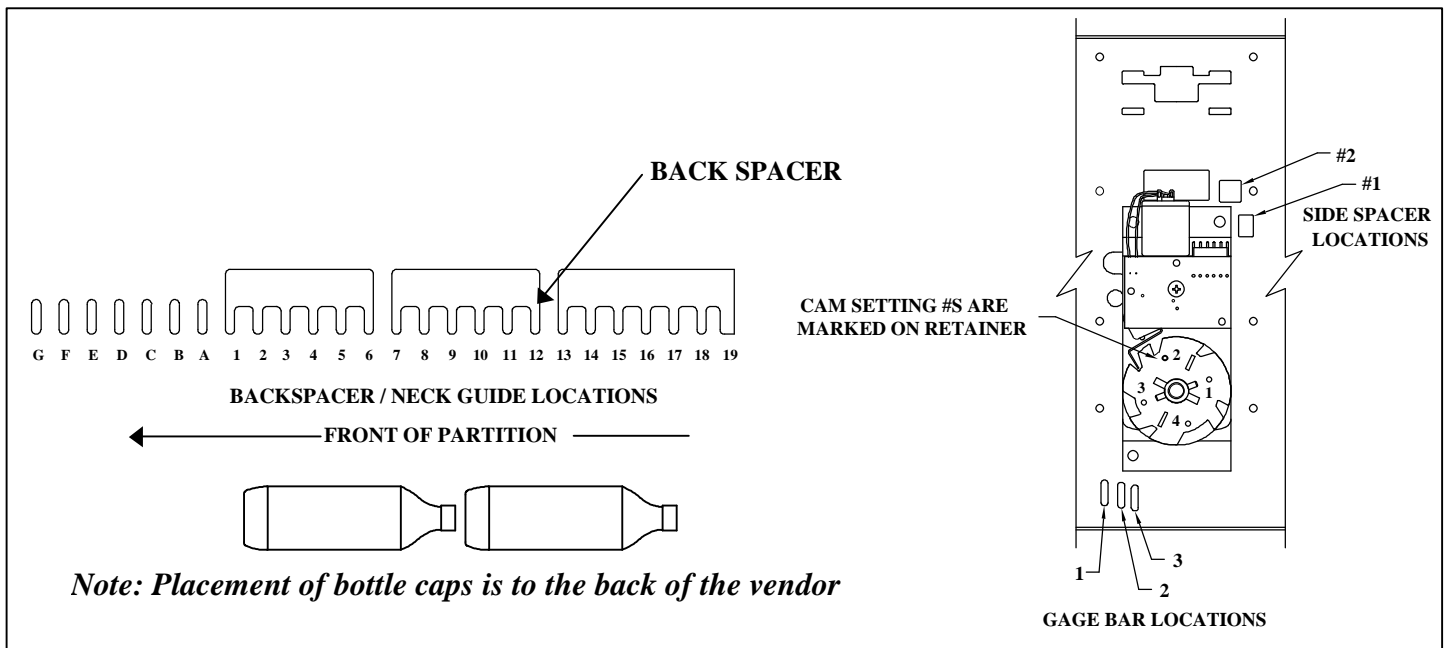


Gage Bar Clip Location



Spacer

Set Up Guide



FOR OTHER PRODUCT SET-UP GUIDES, CONTACT THE VENDO COMPANY.

TEL: (559) 439-1770 FAX: (559) 650-3455.

Installation Instruction #

Size: 16oz / 473ml

Rev. A Date 03/07/00

Pkg. Description/Type: PEPSI - LIPTON'S ICED TEA GLASS (ROCKET BOTTLE)

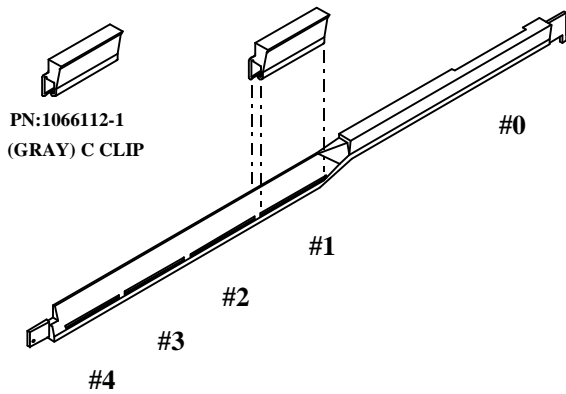
Franchise: PEPSI

KIT#

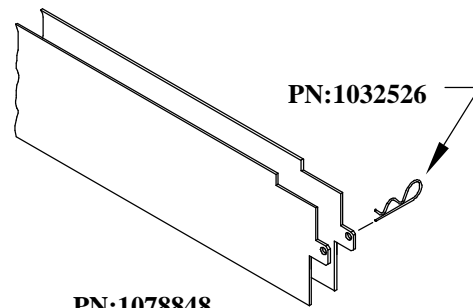
Column Setup

Cam Setting	Back Spacer	Neck Guide Locations	Gage Bar Clip Location	Gage Bar Location	Side Spacer	Sold Out Flap	Sold Out Spacer
2	12	N/A	C/#1	#1	2-1078848 Loc. #1	Long	N/A

Note: To properly vend product the V-Max must have the columns set up as illustrated.

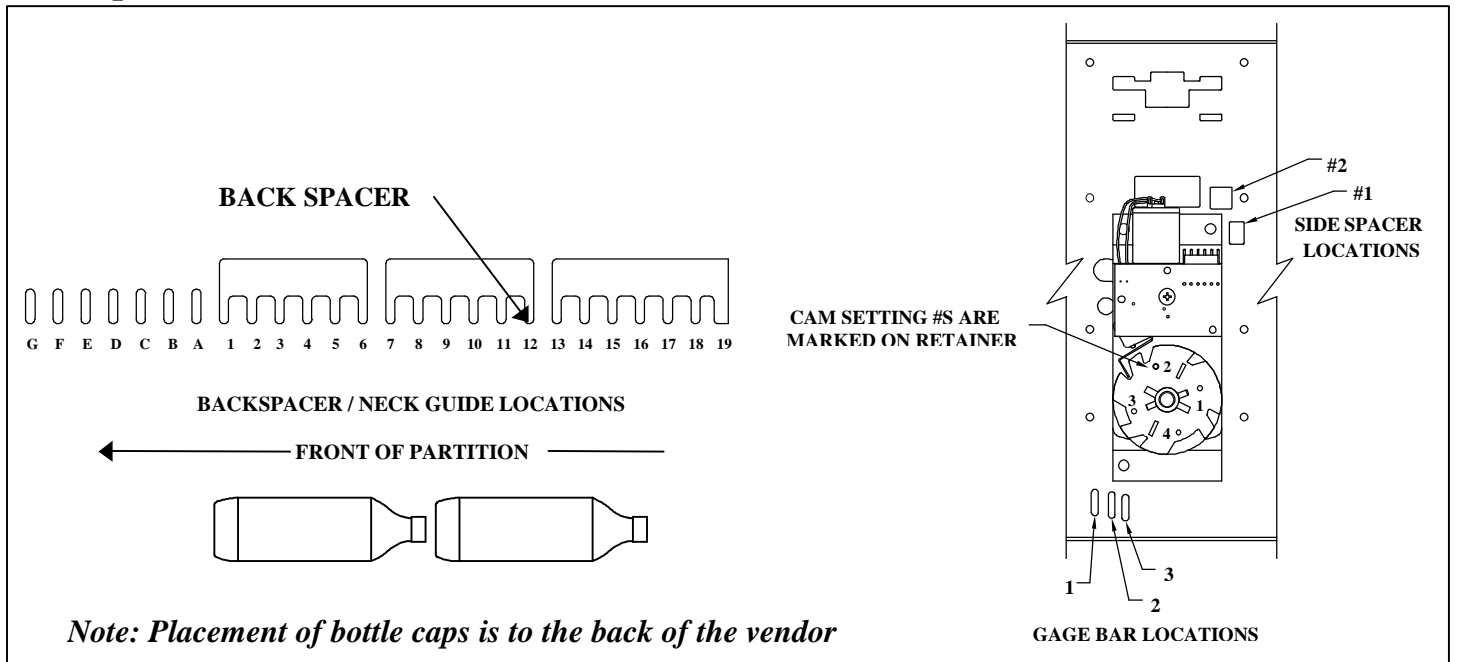


Gage Bar Clip Location



Spacer

Set Up Guide



FOR OTHER PRODUCT SET-UP GUIDES, CONTACT THE VENDO COMPANY.

TEL: (559) 439-1770 FAX: (559) 439-2083.

Installation Instruction #

Size: 20oz / 591ml
10/01/98

Rev. A Date

Pkg. Description/Type: 20oz / 591ml ALL SPORT STRAIGHT WALL

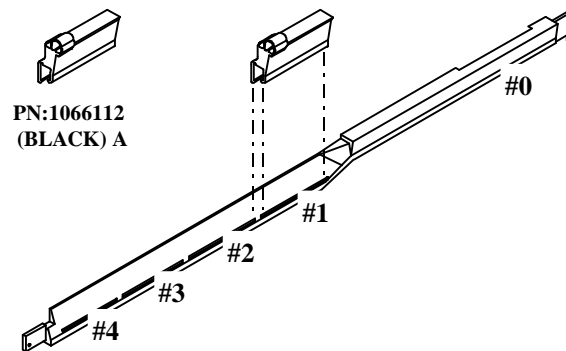
Franchise: PEPSI

KIT# 1113228

Column Setup

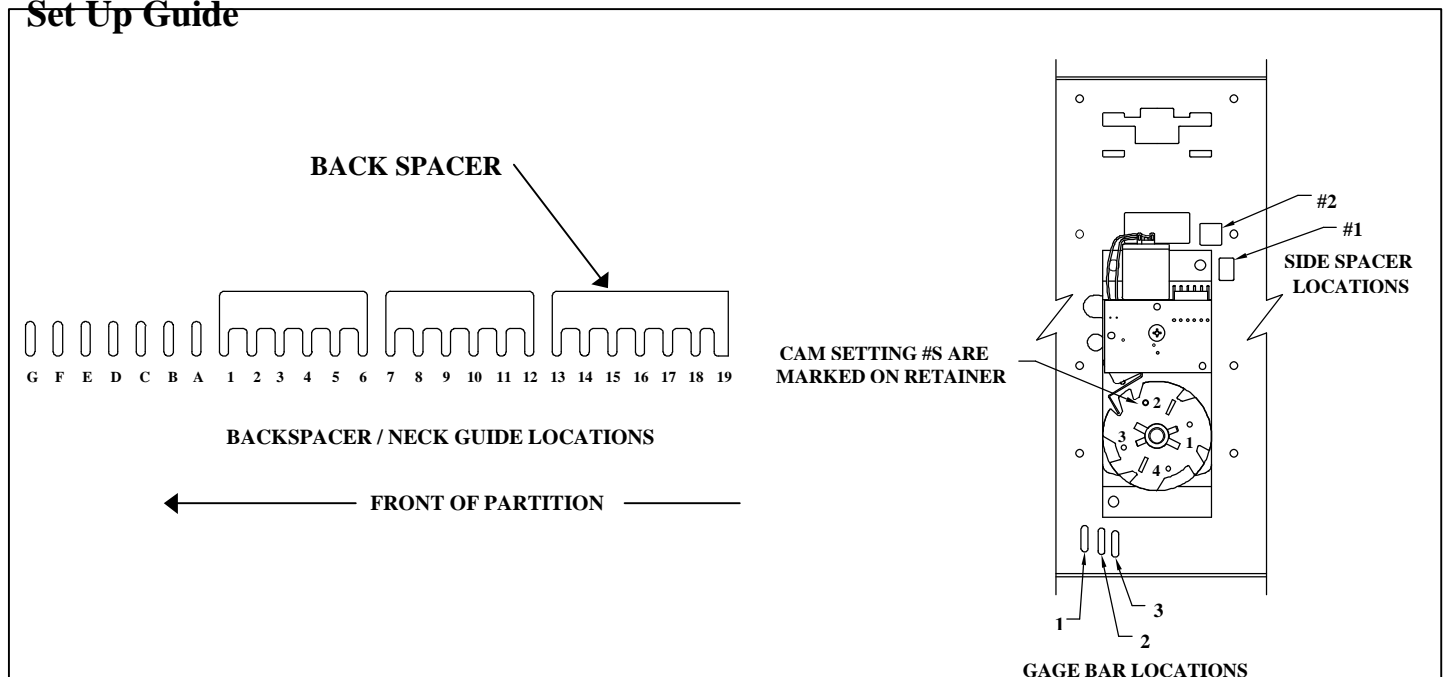
Cam Setting	Back Spacer	Neck Guide Locations	Gage Bar Clip Location	Gage Bar Location	Side Spacer	Sold Out Flap	Sold Out Spacer
2	15	N/A	A/#1	#1	N/A	Long	N/A

Note: To properly vend product the V-Max must have the columns set up as illustrated.



Gage Bar Clip Location

Set Up Guide



FOR OTHER PRODUCT SET-UP GUIDES, CONTACT THE VENDO COMPANY.
TEL: (209)439-1770 FAX: (209) 439-2083.

Installation Instruction #1118279

Size: 20oz / 591ml
10/01/98

Rev. A Date

Pkg. Description/Type: 20oz / 591ml ALL SPORT SWIRL TOP

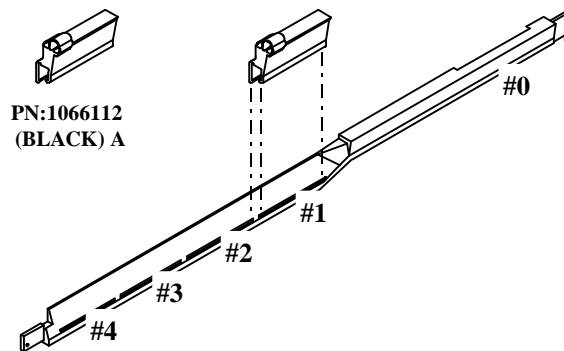
Franchise: PEPSI

KIT# 1113228

Column Setup

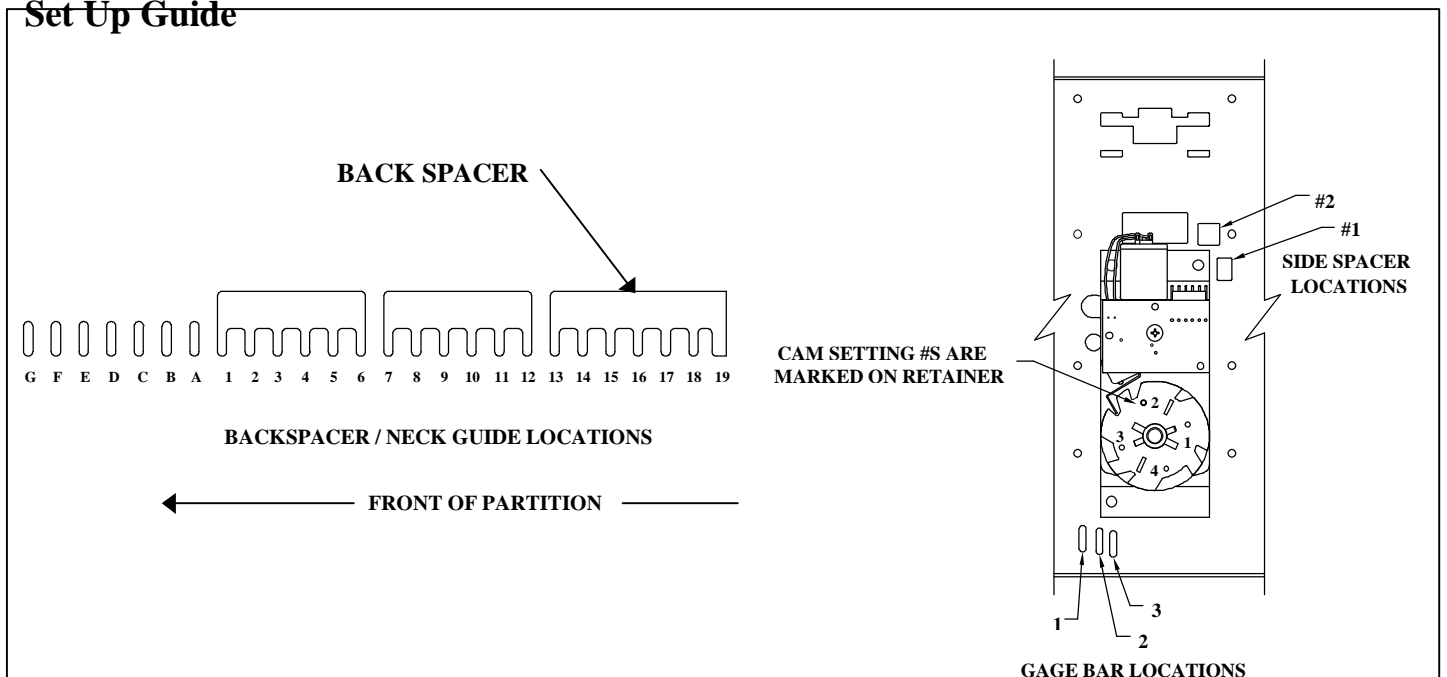
Cam Setting	Back Spacer	Neck Guide Locations	Gage Bar Clip Location	Gage Bar Location	Side Spacer	Sold Out Flap	Sold Out Spacer
2	16	N/A	A/#1	#1	N/A	Long	N/A

Note: To properly vend product the V-Max must have the columns set up as illustrated.



Gage Bar Clip Location

Set Up Guide



FOR OTHER PRODUCT SET-UP GUIDES, CONTACT THE VENDO COMPANY.
TEL: (209)439-1770 FAX: (209) 439-2083.

Installation Instruction #1118287

Size: 20oz / 591ml

Rev. A Date 10/01/98

Pkg. Description/Type: 20oz / 591ml AQUAFINA SWIRL TOP WATER

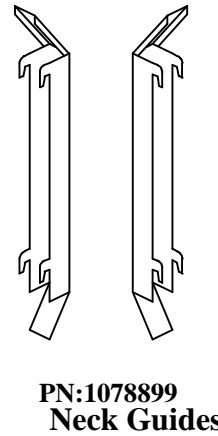
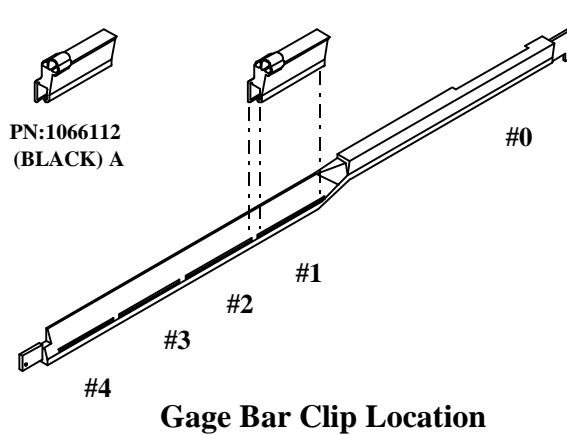
Franchise: PEPSI

KIT# 1113228-2

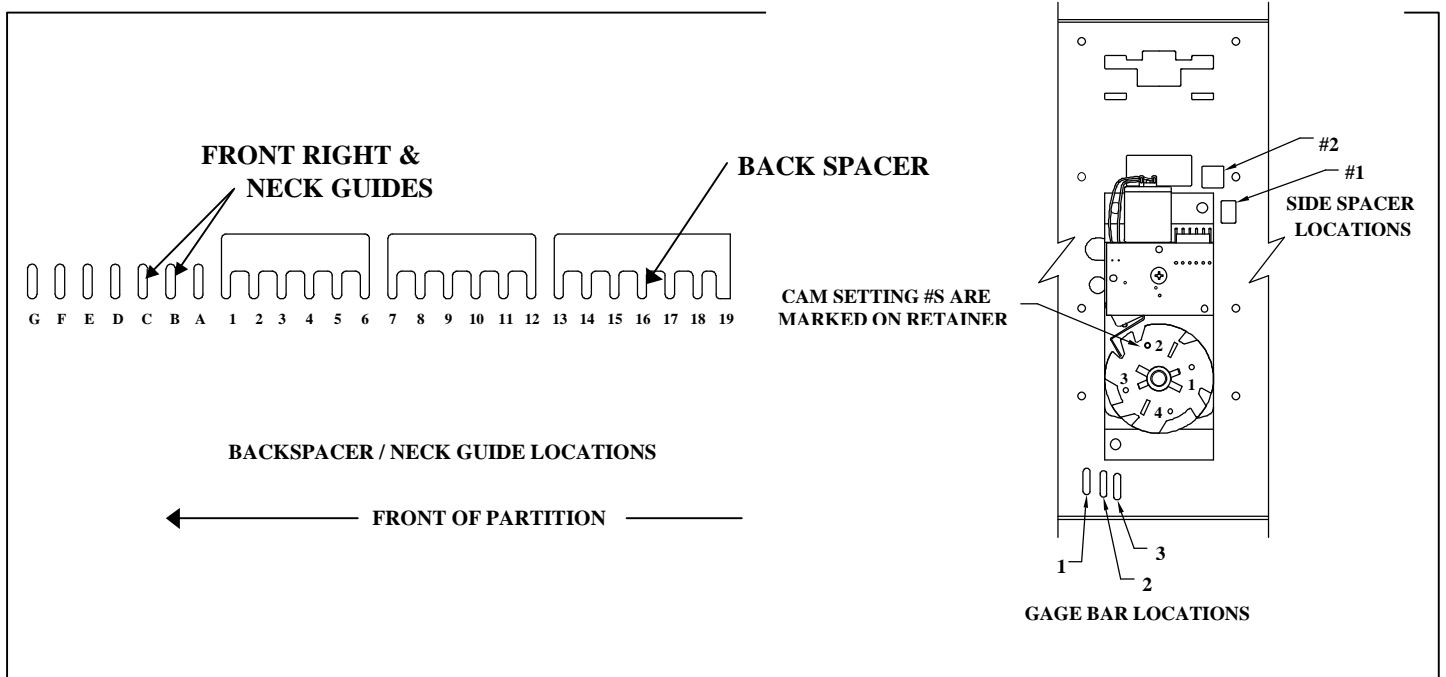
Column Setup

Cam Setting	Back Spacer	Neck Guide Locations	Gage Bar Clip Location	Gage Bar Location	Side Spacer	Sold Out Flap	Sold Out Spacer
2	16	Front Rt. & Left B,C	A/#1	#1	N/A	Long	N/A

Note: To properly vend product the V-Max must have the columns set up as illustrated.



Set Up Guide



FOR OTHER PRODUCT SET-UP GUIDES, CONTACT THE VENDO COMPANY.

TEL: (209)439-1770 FAX: (209) 439-2083.

Size: 20oz / 591ml
10/01/98

Rev. A Date

Pkg. Description/Type: 20oz / 591ml MOUNTAIN DEW

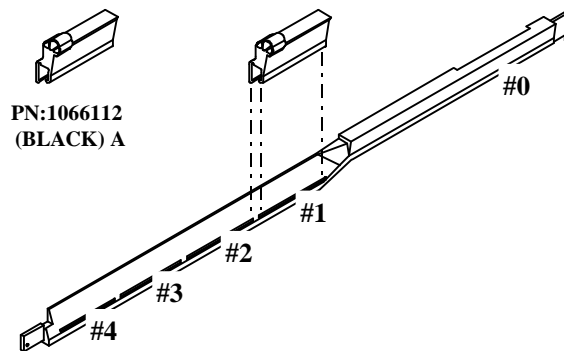
Franchise: PEPSI

KIT# 1113228

Column Setup

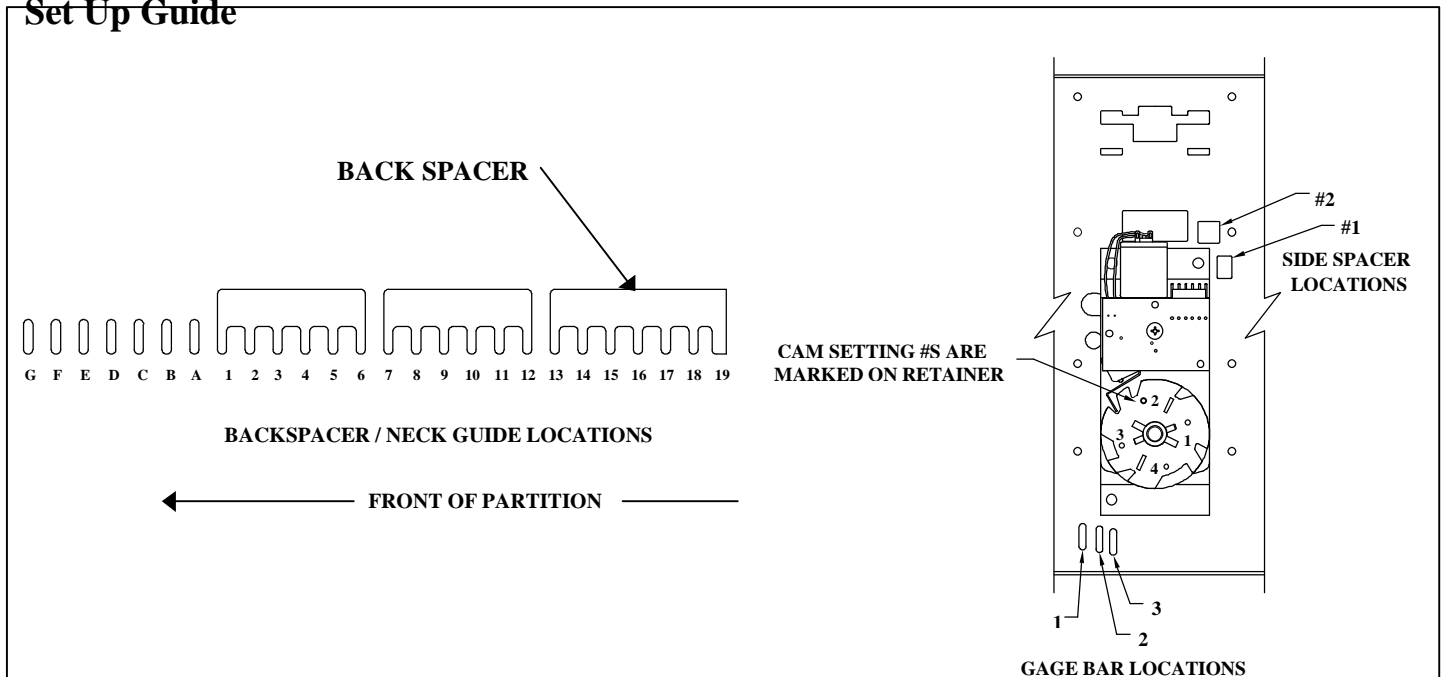
Cam Setting	Back Spacer	Neck Guide Locations	Gage Bar Clip Location	Gage Bar Location	Side Spacer	Sold Out Flap	Sold Out Spacer
2	16	N/A	A/#1	#1	N/A	Long	N/A

Note: To properly vend product the V-Max must have the columns set up as illustrated.



Gage Bar Clip Location

Set Up Guide



FOR OTHER PRODUCT SET-UP GUIDES, CONTACT THE VENDO COMPANY.
TEL: (209)439-1770 FAX: (209) 439-2083.

Installation Instruction #1118376

Size: 20oz / 591ml
10/01/98

Rev. A Date

Pkg. Description/Type: 20oz / 591ml SWIRL TOP

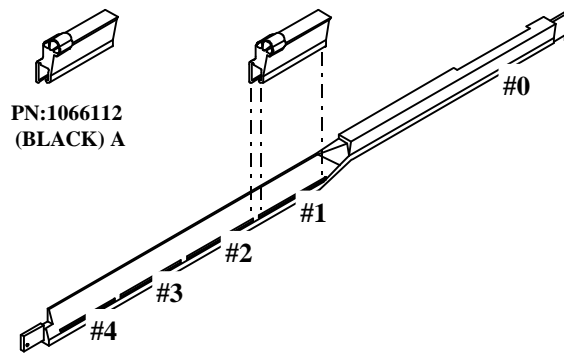
Franchise: PEPSI

KIT# 1113228

Column Setup

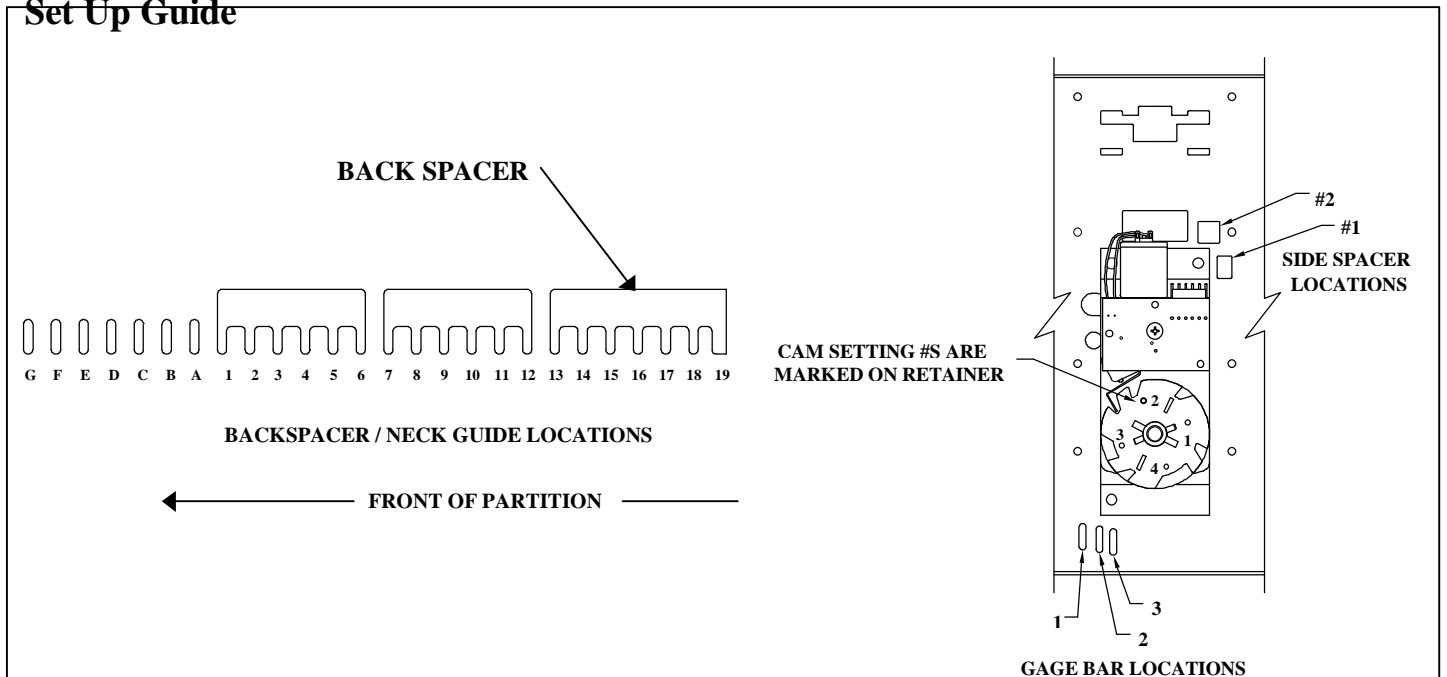
Cam Setting	Back Spacer	Neck Guide Locations	Gage Bar Clip Location	Gage Bar Location	Side Spacer	Sold Out Flap	Sold Out Spacer
2	16	N/A	A/#1	#1	N/A	Long	N/A

Note: To properly vend product the V-Max must have the columns set up as illustrated.



Gage Bar Clip Location

Set Up Guide



FOR OTHER PRODUCT SET-UP GUIDES, CONTACT THE VENDO COMPANY.
TEL: (209)439-1770 FAX: (209) 439-2083.

Installation Instruction #1118368

Size: 281ml / 9.5oz
09/15/99

Rev. A Date

Pkg. Description/Type: STARBUCK COFFEE SQUARE GLASS

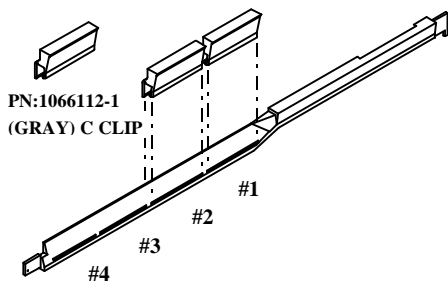
Franchise: PEPSI

KIT#

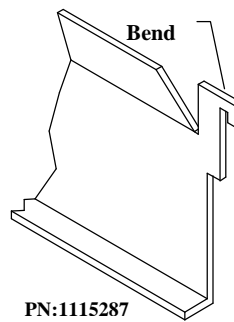
Column Setup

Cam Setting	Back Spacer	Gage Bar Clip Location	Gage Bar Location	Lt. Side Spacer	Rt. Side Spacer	Sold Out Flap	Sold Out Spacer
2	7	C/#1	#2	1115287	1078872	Long	N/A

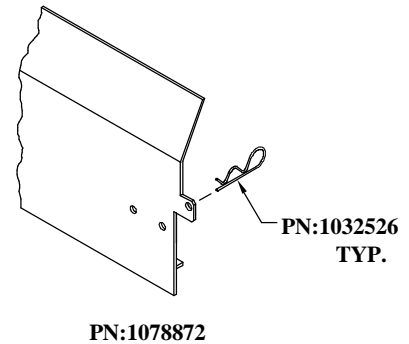
Note: To properly vend product the V-Max must have the columns set up as illustrated. Last level of product has a tendency of bridging



Gage Bar Clip Location

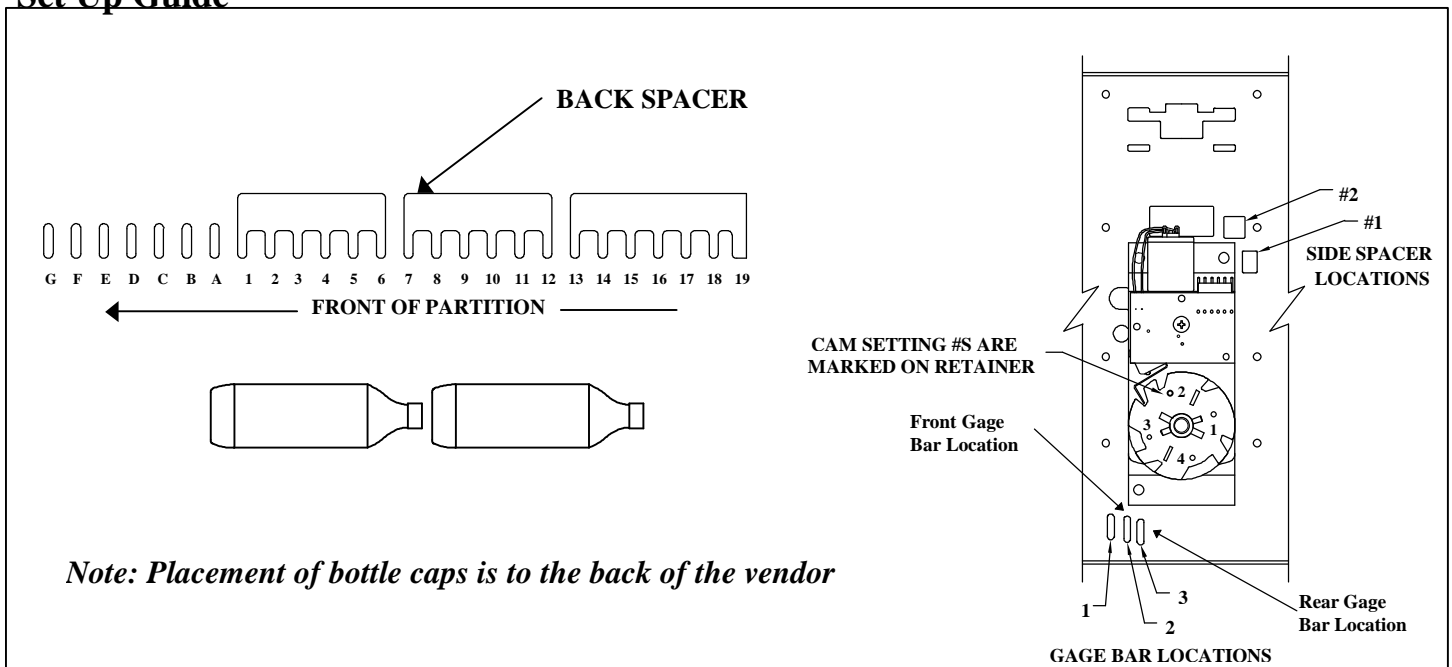


Left Hand Alignment Spacer



Right Hand Spacer

Set Up Guide



FOR OTHER PRODUCT SET-UP GUIDES, CONTACT THE VENDO COMPANY.
TEL: (559)439-1770 FAX: (559) 439-2083.

Size: 12oz / 355ml

Rev. A Date 1/13/03

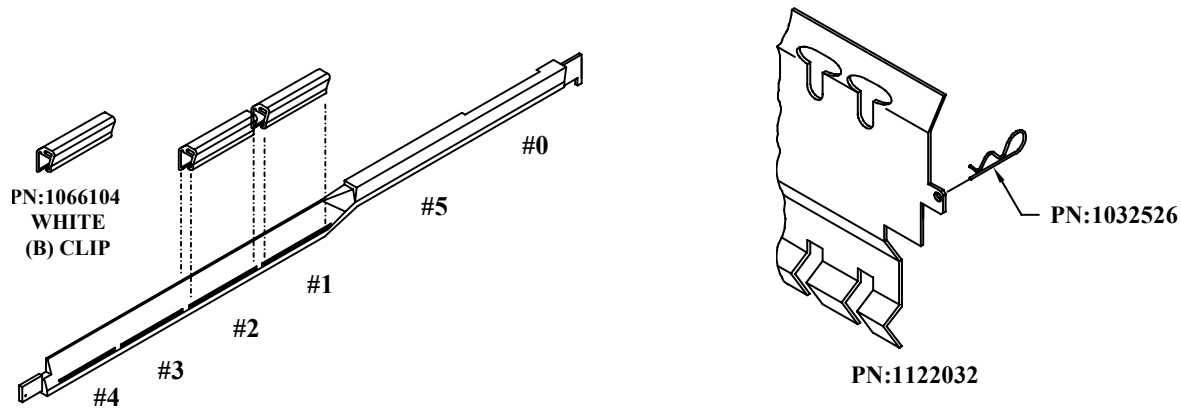
Pkg. Description/Type: Gatorade Thirst Quencher PET

Franchise: Pepsi Cola

Column Setup

Cam Setting	Back Spacer	Neck Guide Locations	Gage Bar Clip Location	Gage Bar Location	Side Spacer	Sold Out Flap	Sold Out Spacer
3	17	N/A	B/#1 B/#2	#2	1122032 Loc. #1	Long	N/A

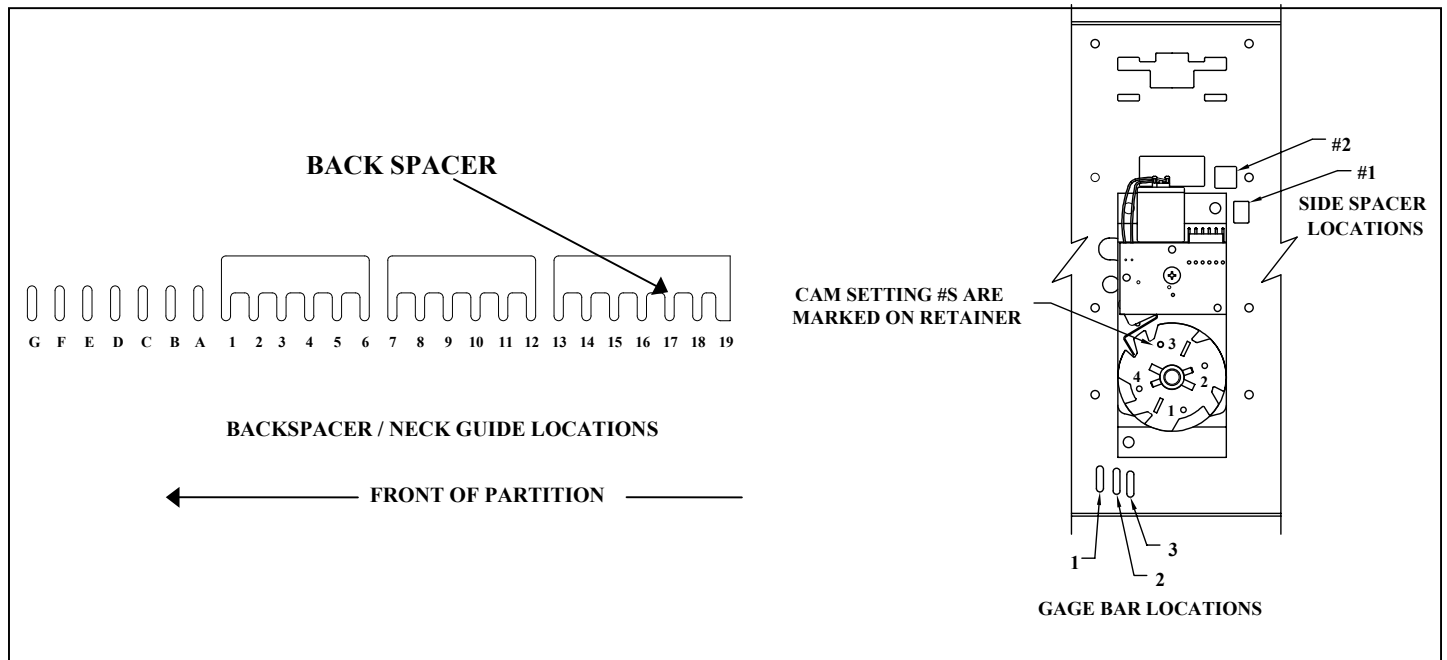
Note: To properly vend product, the V-Max must have the columns set up as illustrated.



Gage Bar Clip Location

Spacer

Set Up Guide



FOR OTHER PRODUCT SET-UP GUIDES, CONTACT THE VENDO COMPANY.

TEL: (559) 439-1770 FAX: (559) 650-3455.

Size: 20oz

Rev. A Date 1/8/03

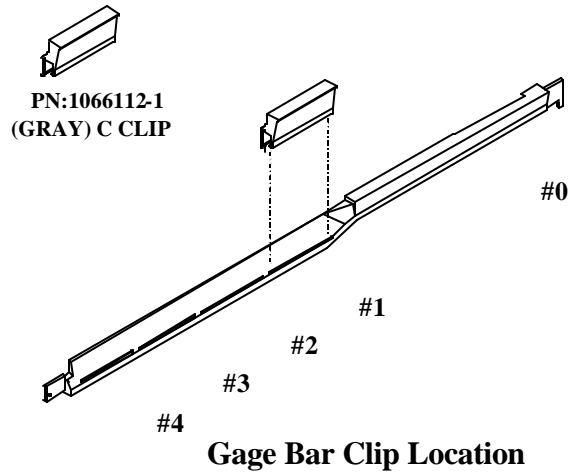
Pkg. Description/Type: Gatorade Thirst Quencher

Franchise: Pepsi Cola

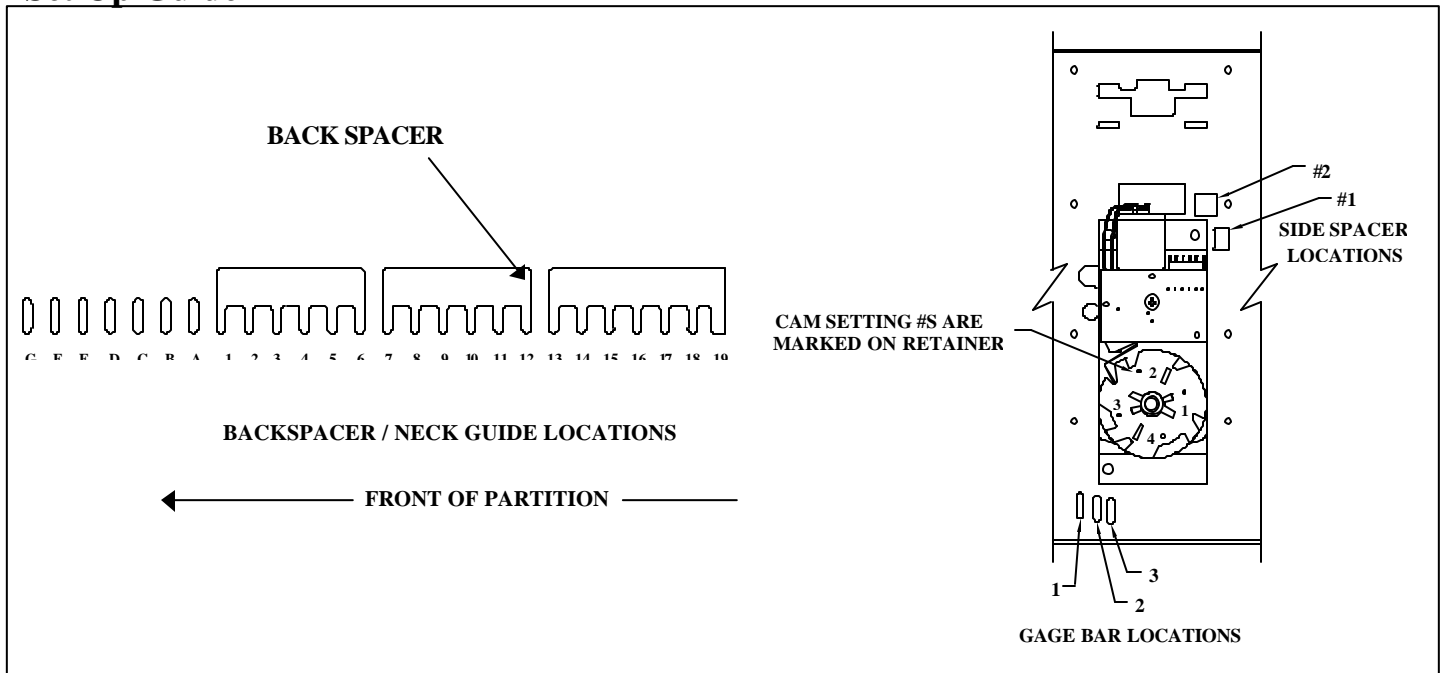
Column Setup

Cam Setting	Back Spacer	Neck Guide Locations	Gage Bar Clip Location	Gage Bar Location	Side Spacer	Sold Out Flap	Sold Out Spacer
2	12	N/A	C/#1	#1	N/A	1112163	N/A

Note: To properly vend product, the V-Max must have the columns set up as illustrated.



Set Up Guide



FOR OTHER PRODUCT SET-UP GUIDES, CONTACT THE VENDO COMPANY.

TEL: (559) 439-1770 FAX: (559) 650-4355.

Size: 24oz

Rev. A Date 1/13/03

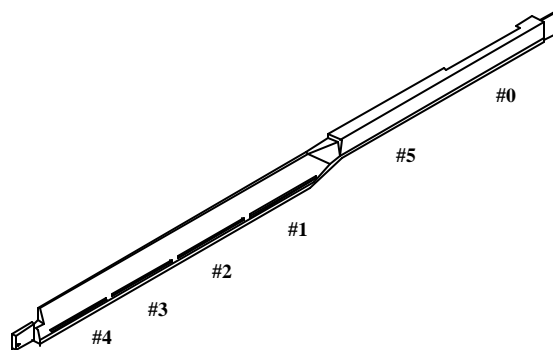
Pkg. Description/Type: Gatorade Thirst Quencher – The E.D.G.E.

Franchise: Pepsi Cola

Column Setup

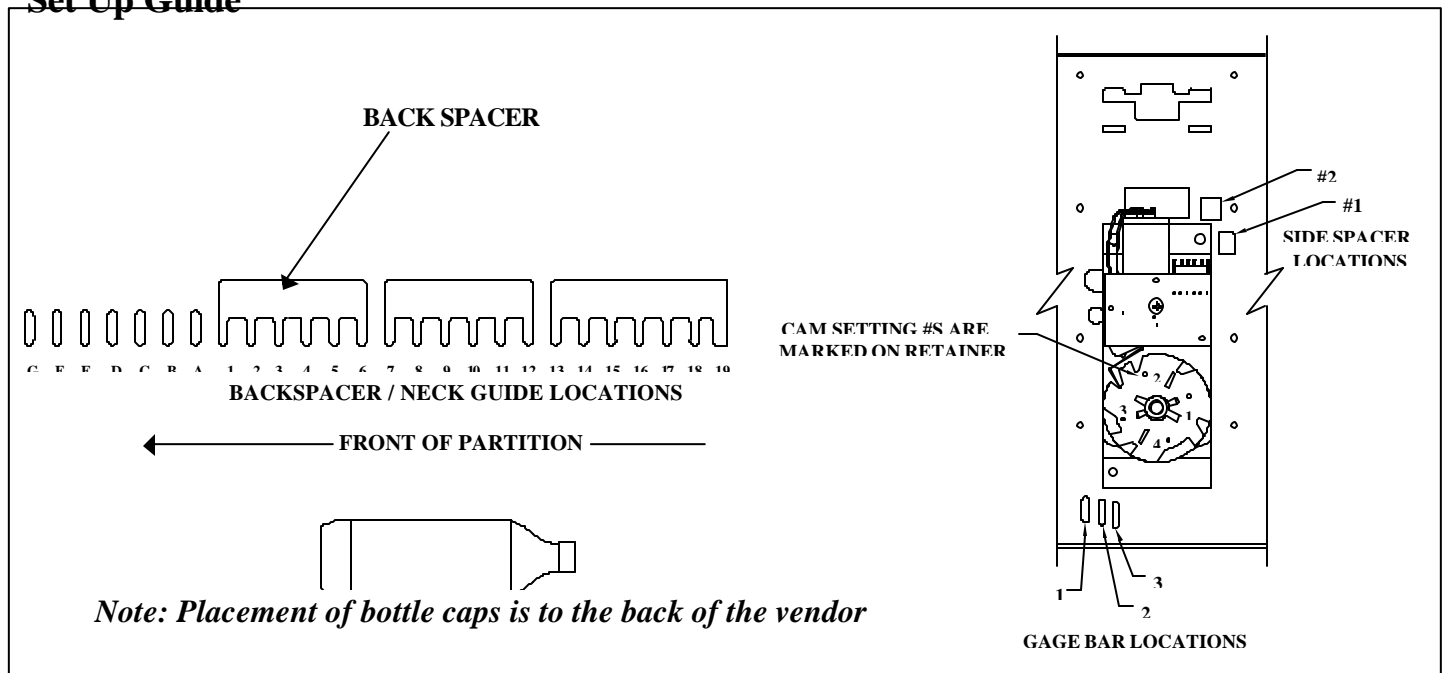
Cam Setting	Back Spacer	Neck Guide Locations	Gage Bar Clip Location	Gage Bar Location	Side Spacer	Sold Out Flap	Sold Out Spacer
1	3	N/A	N/A	#1	N/A	Long	N/A

Note: To properly vend product, the V-Max must have the columns set up as illustrated.



Gage Bar Clip Location

Set Up Guide



FOR OTHER PRODUCT SET-UP GUIDES, CONTACT THE VENDO COMPANY.

TEL: (559) 439-1770 FAX: (559) 650-3455.

Installation Instruction #

Size: 16.9oz/500ml

Rev. A Date 1/13/03

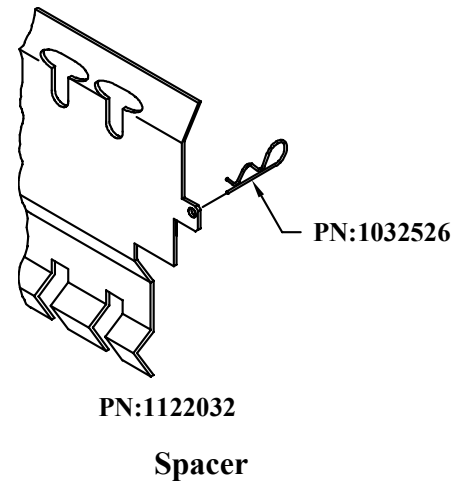
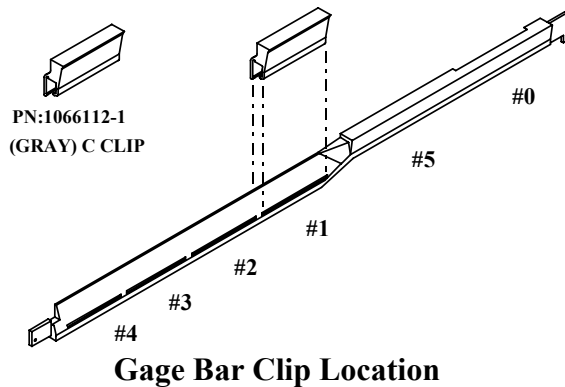
Pkg. Description/Type: Propel Water (Gatorade Brand)

Franchise: Pepsi Cola

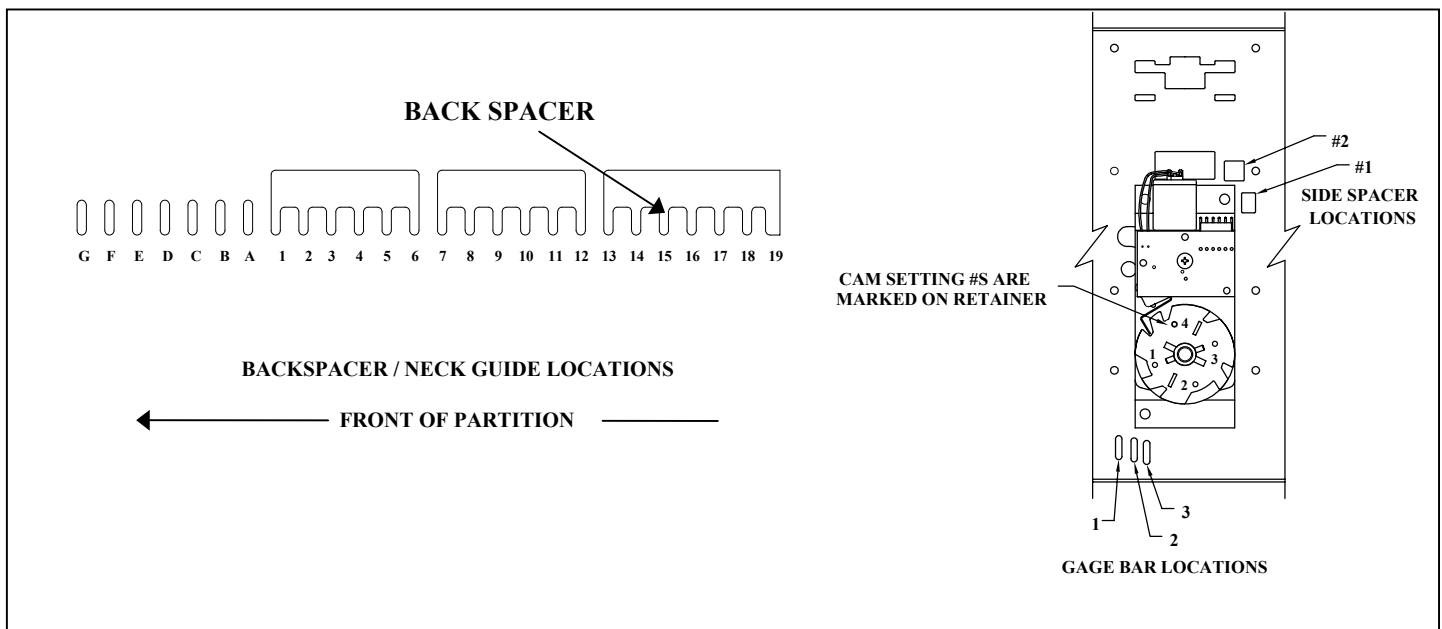
Column Setup

Cam Setting	Back Spacer	Neck Guide Locations	Gage Bar Clip Location	Gage Bar Location	Side Spacer	Sold Out Flap	Sold Out Spacer
2	15	N/A	C/#1	#2	1122032 Loc. #1	Long	N/A

Note: To properly vend product, the V-Max must have the columns set up as illustrated.



Set Up Guide



FOR OTHER PRODUCT SET-UP GUIDES, CONTACT THE VENDO COMPANY.
TEL : (559) 439-1770 FAX: (559) 650-3455.